

Wire Wound Type Common Mode Filter

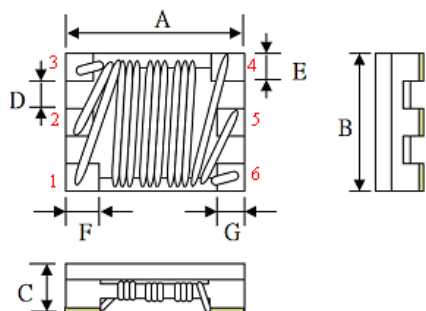
TCM322512F3SFK-SERIES

1. Features

1. High common mode impedance at high frequency effects excellent noise suppression performance.
2. TCM322512F3SFK series realizes small size and low profile.
3. 100% Lead(Pb) & Halogen-Free and RoHS compliant.
4. Operating temperature-40~+125°C (Including self - temperature rise)



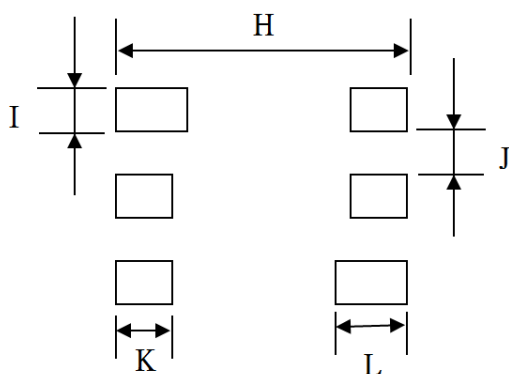
2. Dimension



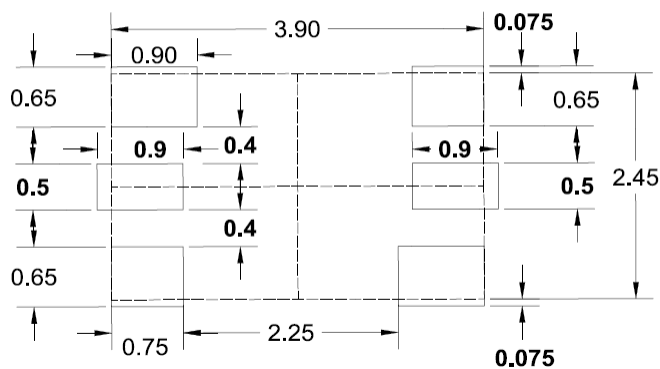
Series	A(mm)	B(mm)	C(mm)	D(mm)	E(mm)	F(mm)	G(mm)
322512F3SFK	3.2±0.2	2.5±0.2	1.3 max.	0.25±0.1	0.65±0.1	0.50±0.1	0.50±0.1

Units: mm

Recommended PC Board Pattern



Solder paste stencil aperture recommendation



Series	H(mm)	I(mm)	J(mm)	K(mm)	L(mm)
322512F3SFK	3.9	0.65	0.25	0.75	0.90

3. Part Numbering

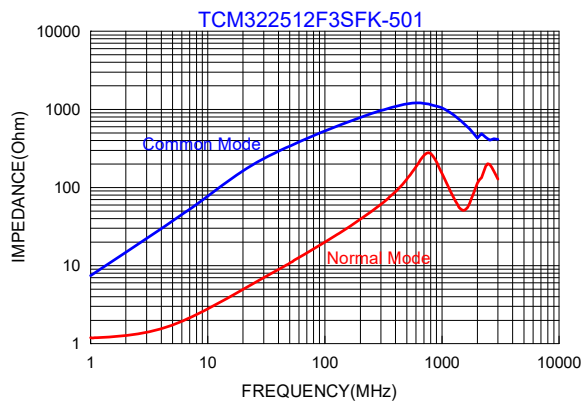
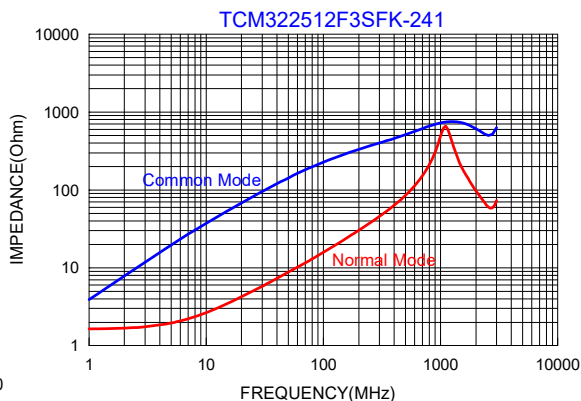
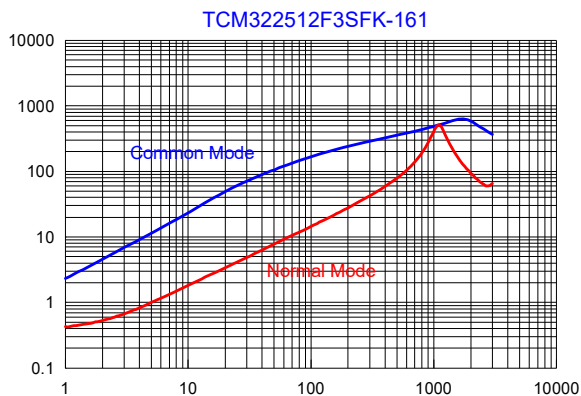
TCM
322512
F
3
S
F
K
-
161
T
02

A B C D E F G H I J

- A: Series
- B: Dimension
- C: Material Ferrite Core
- D: Number of Lines 3=3 lines
- E: Type S=Shielded , N=Unshielded
- F: Lead free type
- G: Category Code V=Vehicle
- H: Impedance 161=160Ω±25%
- I: Packaging T=Taping and Reel
- J: Rated Current 02=200 mA

4. Specification

TAI-TECH Part Number	Common mode Impedance (Ω)	Test Frequency (MHz)	DC Resistance (Ω) max.	Rated Current (mA)	Rated Volt. (Vdc)	Withstand Volt. (Vdc)	IR (Ω) min.
TCM322512F3SFK-161T02	160±25%	100	0.21	200	50	125	10M
TCM322512F3SFK-241T03	240±25%	100	0.33	300	50	125	10M
TCM322512F3SFK-501T05	500±25%	100	0.43	500	50	125	10M



5. Schematic Diagram

