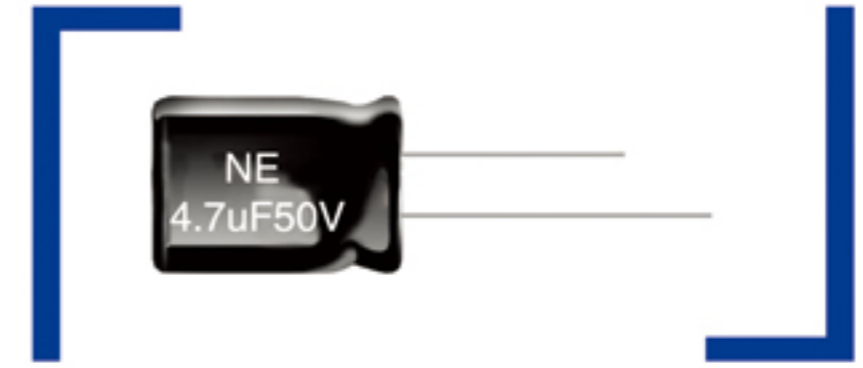


NE

无极性S型特性校正

- ◎无极性品，高频损耗小，适用于电视机水平偏转电流校正用。
Non-polarized, Small loss at high frequency,
Use for S correction of horizontal deflection current in TV.
- ◎ROHS指令已对应完毕。Adapted to the ROHS directive.

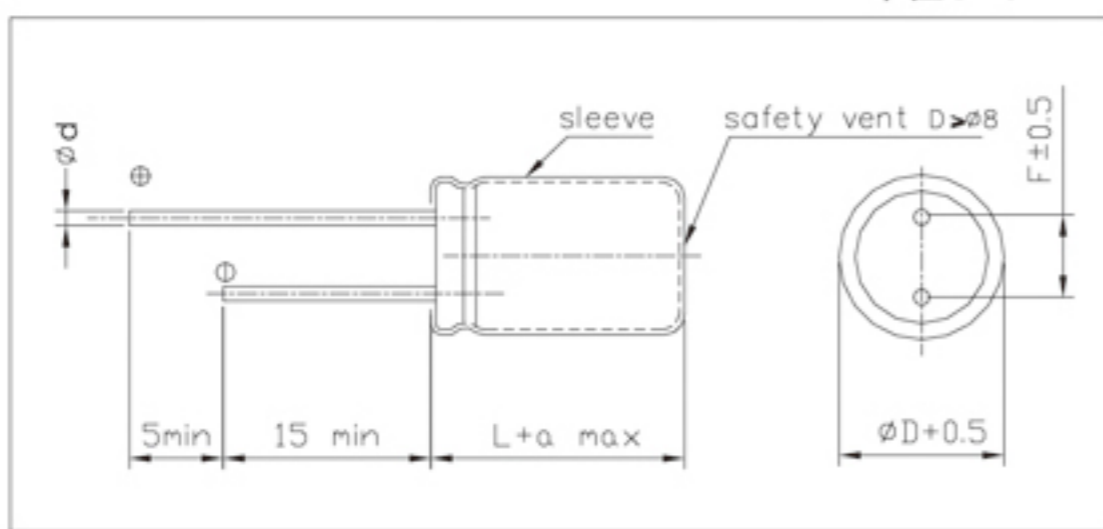


主要技术性能 Specifications

| 项目 Items | 特性 Performance Characteristics |
|--|--|
| 使用温度范围 Operating temperature range | -40 ~ +85℃ |
| 额定电压范围 Rated voltage range | 25 ~ 100 V |
| 标称电容量范围 Nominal capacitance range | 1 ~ 15 μF |
| 标称电容量允许偏差 Capacitance tolerance | ± 10% (120Hz, +20℃) |
| 正反向漏电流 Leakage current | $I \leq 100 \mu A$ 2分钟 (at 20℃ ,after 2 minutes) |
| 损耗角正切值 (tg δ) Dissipation factor (+20℃, 120Hz) | $tg\delta \leq 0.05$ |
| 耐久性 Load life | 在70℃下，在直流12V电压上叠加额定的纹波电流，连续加1000小时，恢复16小时后： After 1000 hours application of DC 12V on which the specified allowable ripple current is superimposed at 70℃, and then resumed 16 hours: 电容量变化率 Capacitance change : ± 20%初始测量值以内 Initial measured value 漏 电 流 Leakage current : ≤初始规定值 Initial specified value 损耗角正切值 Dissipation factor : ≤2倍初始规定值 2times Initial specified value |
| 高温贮存 Shelf life | +85℃,1000小时贮存后,恢复16小时后： After storage for 1000 hours at +85℃ and then resumed 16 hours: 电容量变化率 Capacitance change : ± 20%初始测量值以内 Initial measured value 漏 电 流 Leakage current : ≤2倍初始规定值 2times Initial specified value 损耗角正切值 Dissipation factor : ≤2倍初始规定值 2times Initial specified value |

外形图及尺寸表 Case size table

单位Unit: mm



| | | | |
|---|-----|------|-----|
| D | 10 | 12.5 | 16 |
| F | 5.0 | | 7.5 |
| d | 0.6 | | 0.8 |

| | |
|------|----------------|
| aMAX | (L < 20) 1.5 |
| | (L ≥ 20) 2.0 |

尺寸 Dimensions

| CAP(μF) | WV | 25V(1E) | | 50V(1H) | | 100V(2A) | |
|---------|-----|---------|--------|---------|--------|----------|--------|
| | | Size | Ripple | Size | Ripple | Size | Ripple |
| 1 | 010 | 10×20 | 2.4 | 10×20 | 5.0 | | |
| 2.2 | 2R2 | 12.5×20 | 3.3 | 12.5×25 | 6.0 | | |
| 3.3 | 3R3 | 12.5×25 | 4.5 | 12.5×25 | 6.5 | | |
| 4.7 | 4R7 | 12.5×25 | 6.0 | 12.5×25 | 7.0 | 12.5×25 | 7.0 |
| | | | | 16×25 | 7.5 | | |
| 6.8 | 6R8 | 16×25 | 7.0 | 16×30 | 8.0 | | |
| 10 | 100 | 16×25 | 8.0 | 16×30 | 8.6 | 16×30 | 8.6 |
| 15 | 150 | | | | | 16×30 | 10 |

Size φD×L(mm)

Maximum Allowable Ripple Current (A rms) at 70℃ 15.75KHz