

3-Phase Hybrid Stepping Motor

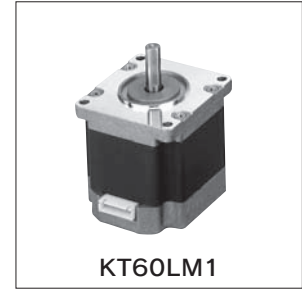
1.2°

KT60 series TRISYN

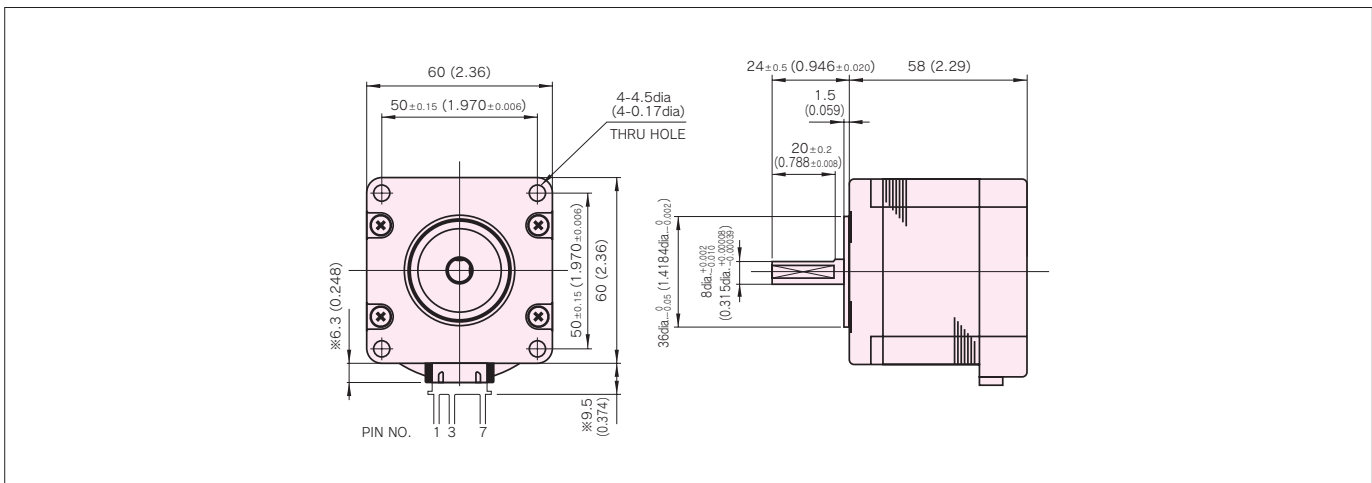
HIGH TORQUE, SILENT ROTATION

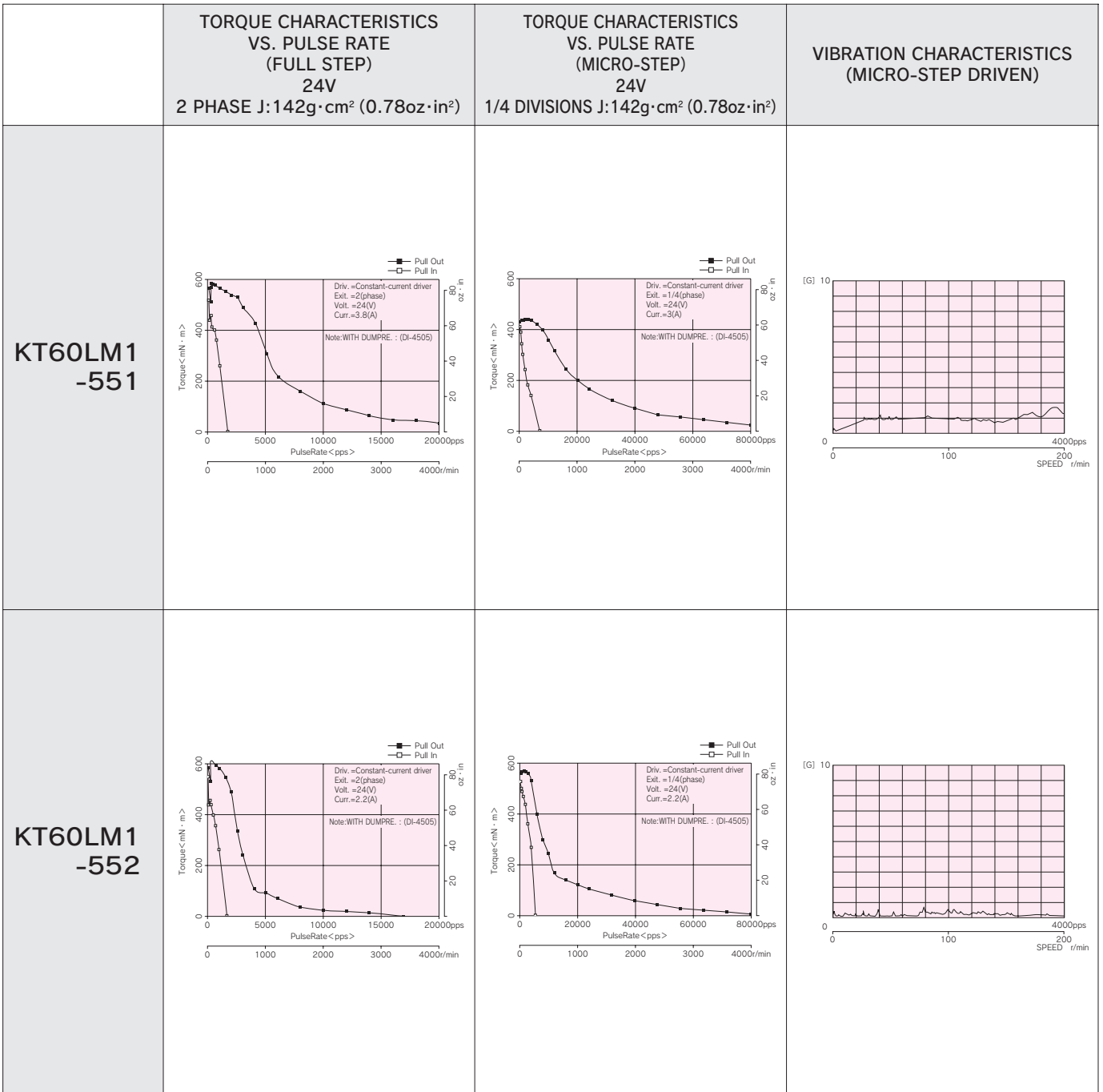
STANDARD SPECIFICATIONS

| MODEL | UNIT | KT60LM1 | |
|-----------------------|----------------------|-------------------|------|
| | | -551 | -552 |
| DRIVE METHOD | ———— | BI-POLAR | |
| NUMBER OF PHASES | ———— | 3 | |
| STEP ANGLE | deg./step | 1.2 | |
| VOLTAGE | V | 2.77 | 4.84 |
| CURRENT | A/2-PHASE | 3.8 | 2.2 |
| WINDING RESISTANCE | Ω/2-PHASE | 0.73 | 2.2 |
| INDUCTANCE | mH/2-PHASE | 1.0 | 3.3 |
| HOLDING TORQUE | mN · m | 600 | 600 |
| | oz · in | 85 | 85 |
| DETENT TORQUE | mN · m | 35 | 35 |
| | oz · in | 5 | 5 |
| ROTOR INERTIA | g · cm ² | 265 | 265 |
| | oz · in ² | 1.45 | 1.45 |
| WEIGHTS | g | 720 | 720 |
| | lb | 1.6 | 1.6 |
| INSULATION RESISTANCE | ———— | 500VDC 100MΩmin. | |
| DIELECTRIC STRENGTH | ———— | 500VAC 50HZ 1min. | |
| OPERATING TEMP. RANGE | °C | 0 to 50 | |
| ALLOWABLE TEMP. RISE | K | 70 | |



DIMENSIONS unit = mm (inch)





■ CONNECTION CABLE TO MOTOR unit = mm (inch)

