

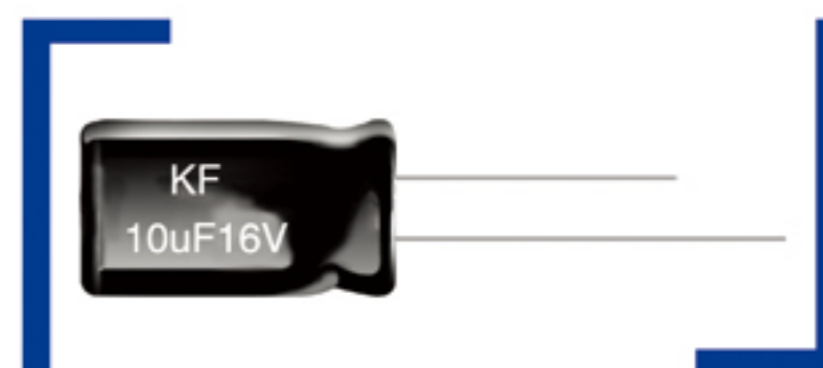
KF 宽温度品

◎5mm高度, 105℃。5mmL, 105℃。

◎适用于移动通讯、袖珍对讲机、汽车音响等电路

Used in locomotive communication, pocked intercom telephone and car audio circuits, etc.

◎ROHS指令已对应完毕。Adapted to the ROHS directive.



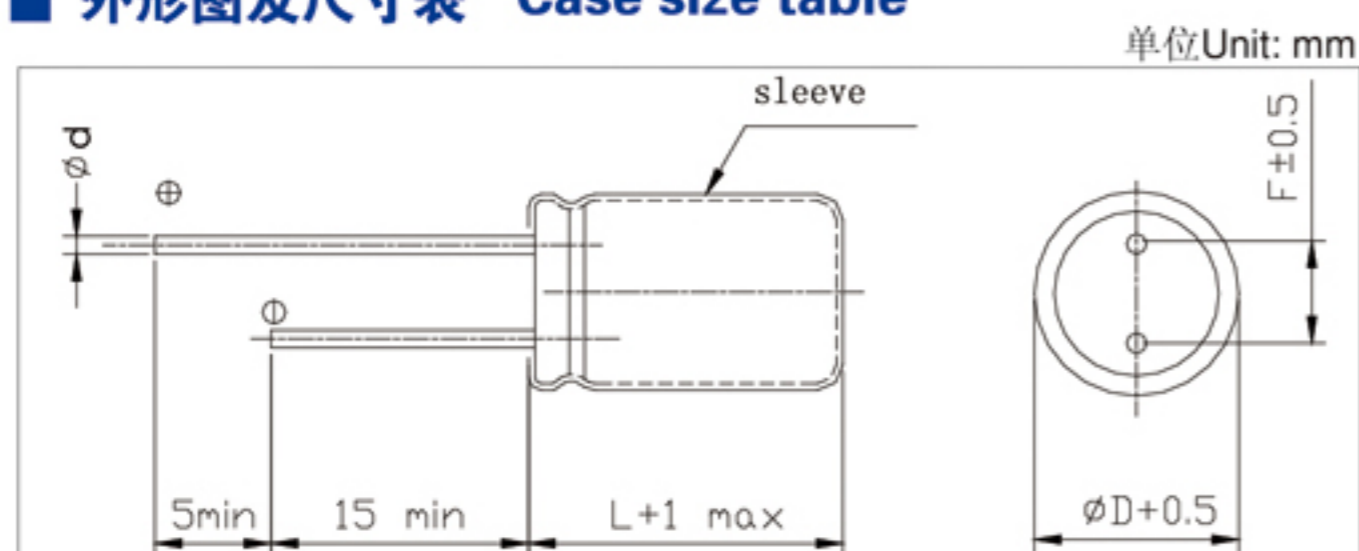
主要技术性能 Specifications

项目 Item	特性 Performance Characteristics																								
使用温度范围 Operating temperature range	-40 ~ +105℃																								
额定电压范围 Rated voltage range	4 ~ 50 V																								
标称电容范围 Nominal capacitance range	0.1~ 220 μ F																								
标称电容允许偏差 Capacitance tolerance	± 20% (120Hz, +20℃)																								
漏电流 Leakage current	$I \leq 0.01CV$ or $3(\mu A)$ 2分钟(at 20℃, after 2 minutes) 取最大者 (whichever is greater)																								
损耗角正切值 (tg δ) Dissipation factor(+20℃, 120Hz)	<table border="1"> <thead> <tr> <th>U_R (V)</th> <th>4</th> <th>6.3</th> <th>10</th> <th>16</th> <th>25</th> <th>35</th> <th>50</th> </tr> </thead> <tbody> <tr> <td>tg δ</td> <td>0.35</td> <td>0.24</td> <td>0.20</td> <td>0.16</td> <td>0.14</td> <td>0.12</td> <td>0.10</td> </tr> </tbody> </table>	U _R (V)	4	6.3	10	16	25	35	50	tg δ	0.35	0.24	0.20	0.16	0.14	0.12	0.10								
U _R (V)	4	6.3	10	16	25	35	50																		
tg δ	0.35	0.24	0.20	0.16	0.14	0.12	0.10																		
温度特性 Temperature Characteristics (Impedance ratio at 120Hz)	<table border="1"> <thead> <tr> <th>U_R (V)</th> <th>4</th> <th>6.3</th> <th>10</th> <th>16</th> <th>25</th> <th>35</th> <th>50</th> </tr> </thead> <tbody> <tr> <td>Z-25℃ / Z+20℃</td> <td>7</td> <td>4</td> <td>3</td> <td>2</td> <td>2</td> <td>2</td> <td>2</td> </tr> <tr> <td>Z-40℃ / Z+20℃</td> <td>15</td> <td>10</td> <td>8</td> <td>6</td> <td>4</td> <td>3</td> <td>3</td> </tr> </tbody> </table>	U _R (V)	4	6.3	10	16	25	35	50	Z-25℃ / Z+20℃	7	4	3	2	2	2	2	Z-40℃ / Z+20℃	15	10	8	6	4	3	3
U _R (V)	4	6.3	10	16	25	35	50																		
Z-25℃ / Z+20℃	7	4	3	2	2	2	2																		
Z-40℃ / Z+20℃	15	10	8	6	4	3	3																		
耐久性 Load life	+105℃加额定电压1000小时, 恢复16小时后: After applying rated voltage for 1000 hours at +105℃ and then resumed for 16 hours: 电容量变化率 Capacitance change : ± 25%初始测量值以内 ± 25%of the initial measured value (4V: ≤ ± 30%) 漏 电 流 Leakage current : ≤初始规定值 ≤the initial specified value 损耗角正切值 Dissipation factor : ≤2倍初始规定值 ≤2times of the Initial specified value																								
高温贮存 Shelf life	+105℃,1000小时贮存后, 恢复16小时后: After storage for 1000 hours at +105℃ and then resumed for 16 hours : 电容量变化率 Capacitance change : ± 25%初始测量值以内 ± 25%of the initial measured value (4V: ≤ ± 30%) 漏 电 流 Leakage current : ≤2倍初始规定值 ≤2times of the initial specified value 损耗角正切值 Dissipation factor : ≤2倍初始规定值 ≤2times of the initial specified value																								

频率修正系数 Frequency coefficient

F(Hz)	60	120	1K	≥10k
CAP(μF)				
0.1~68	0.8	1	1.3	1.5
100~220	0.8	1	1.15	1.2

外形图及尺寸表 Case size table



D	4	5	6.3	8
F	1.5	2.0	2.5	3.5
d	0.45			

尺寸 Dimensions

CAP(μF)	WV	4V(0G)		6.3V(0J)		10V(1A)		16V(1C)		25V(1E)		35V(1V)		50V(1H)	
		Size	Ripple	Size	Ripple	Size	Ripple	Size	Ripple	Size	Ripple	Size	Ripple	Size	Ripple
0.1	0R1													4x5	1.0
0.22	R22													4x5	2.6
0.33	R33													4x5	3.2
0.47	R47													4x5	3.8
1	010													4x5	6.2
2.2	2R2													4x5	11
3.3	3R3													4x5	14
4.7	4R7									4x5	13	4x5	15	5x5	19
10	100			4x5	13	4x5	15	4x5	18	5x5	23	5x5	25	6.3x5	30
22	220	4x5	22	4x5	22	5x5	27	5x5	30	6.3x5	38	6.3x5	48	8x5	60
33	330	5x5	30	5x5	30	5x5	35	6.3x5	40	6.3x5	48				
47	470	5x5	36	5x5	36	6.3x5	46	6.3x5	50	6.3x5	55				
100	101	6.3x5	60	6.3x5	60	6.3x5	65	6.3x5	75	8x5	80				
220	221	8x5	100	8x5	110	8x5	120								

 Size ϕ D × L(mm)

Maximum Allowable Ripple Current (mA rms) at 105°C 120Hz