




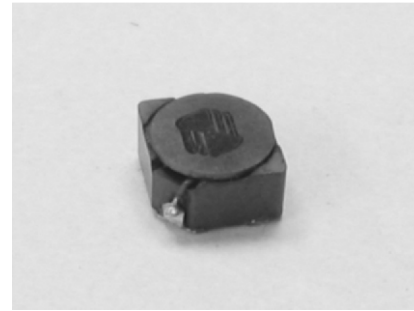


-  Magnetically Shielded
-  Miniature in size and high energy storage
-  Ideal for high current requirements of notebook, video recorders and other DC-DC conversion applications
-  Custom inductance value or tolerance is available
-  RoHS compliant



ELECTRICAL SPECIFICATION @ 25°C

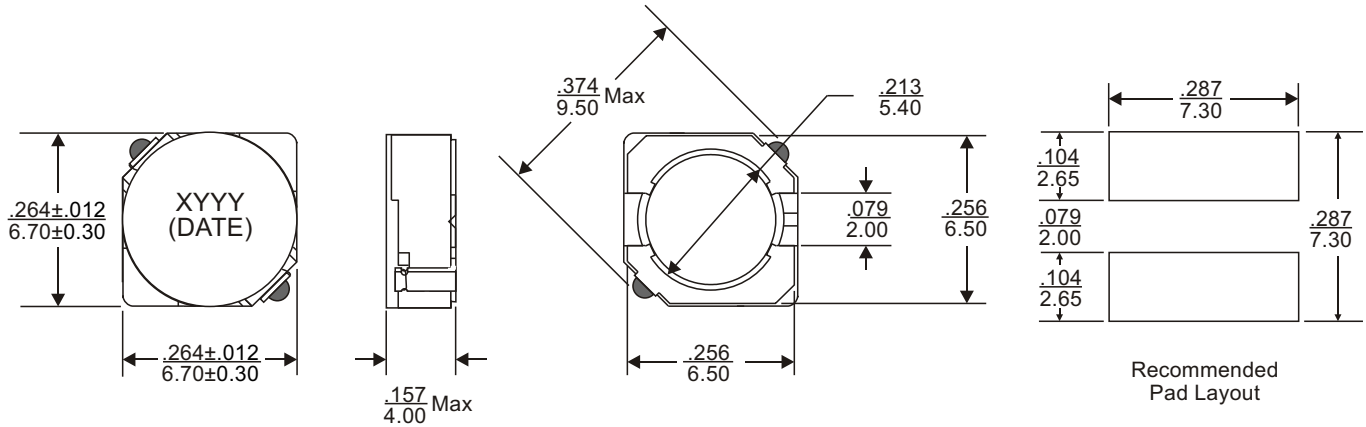
Part Number	Inductance (uH)	Tolerance (%)	Test Frequency ² (kHz)	DCR (m Max)	Rated DC Current ³ (A)	Marking (YYYY)
SIS6D38N-3R3R	3.3	±30	10	20	3.5	N3R3
SIS6D38N-5R0R	5.0	±30	10	24	2.9	N5R0
SIS6D38N-6R2R	6.2	±30	10	27	2.5	N6R2
SIS6D38N-7R4R	7.4	±30	10	31	2.3	N7R4
SIS6D38N-8R7R	8.7	±30	10	34	2.2	N8R7
SIS6D38N-100R	10	±30	10	38	2.0	N100
SIS6D38N-120R	12	±30	10	53	1.7	N120
SIS6D38N-150R	15	±30	10	57	1.6	N150
SIS6D38N-180R	18	±30	10	92	1.5	N180
SIS6D38N-220R	22	±30	10	96	1.3	N220
SIS6D38N-270R	27	±30	10	109	1.2	N270
SIS6D38N-330R	33	±30	10	124	1.1	N330
SIS6D38N-390R	39	±30	10	138	1.0	N390
SIS6D38N-470R	47	±30	10	155	0.95	N470
SIS6D38N-560R	56	±30	10	202	0.85	N560
SIS6D38N-680R	68	±30	10	234	0.75	N680
SIS6D38N-820R	82	±30	10	324	0.70	N820
SIS6D38N-101R	100	±30	10	358	0.65	N101

Notes:

1. Ordering Information: SIS6D38a - bbbRc.
 SIS6D38 = Product Type.
 a = Tolerance of Inductance (N= ±30%).
 bbb = Inductance value in uH (i.e. 3R3 = 3.3uH; 330 = 33uH; 101 = 100uH).
 R = Internal Control Code.
 c = Packaging Code (T = Tape & Reel Packaging in 13 inch Reel).
2. Test frequency is specified as the frequency for measuring the inductance.
3. Rated D.C. current indicates the value of the current when the inductance is 35% lower than its initial value or the current when temperature rising T=30°C at D.C. Superposition.
4. Operating temperature range: -40C to +125°C.
5. The part temperature (ambient temperature + temperature rise) should not exceed the upper limit of the operating temperature under worst case operating conditions. Circuit design, component placement, PWB trace size and thickness, airflow and other cooling provisions all affect the part temperature. Part temperature should be verified in the end application.



MECHANICAL DIMENSIONS

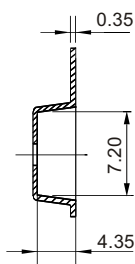
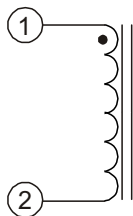


Notes:

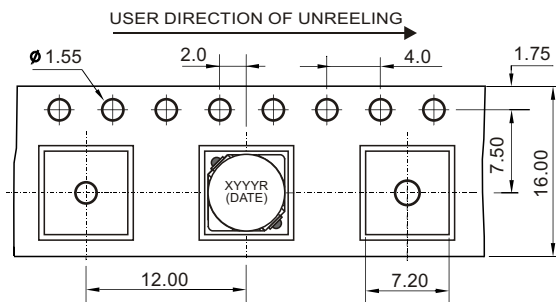
- 6. All dimensions are specified in $\frac{\text{inches}}{\text{mm}}$ with higher precedence in mm.
- 7. Unless otherwise specified, all tolerances are $\pm \frac{0.10}{0.25}$.

Weight (in gram)	: 1.2 typ.
Tape & Reel	: 1100 / reel

SCHEMATIC



PACKAGING



FOR MORE INFORMATION, PLEASE CONTACT

HEADQUARTER
1/F., Harbour View 1, No.12 Science Park East Avenue,
Phase II, Hong Kong Science Park, Shatin, N.T.
Hong Kong
Tel: (852) 2954 3333 Fax: (852) 2954 3304
Email: eempl@eleceltek.com
Website: <http://www.eleceltek.com> / www.eemagnetic.com

Information herein is for reference only and subject to change without notice. It does not constitute any representation, warranty or commitment of the company in respect of the products in any aspect. All logos, brands and product names mentioned herein are trademarks or registered trademarks of their respective owners. The company does not assume any liability arising out of the application or use of any product or circuit described herein. Copyrights 2009, E & E Magnetic Products Limited.

1/F., Harbour View 1, No.12 Science Park East Avenue, Phase II, Hong Kong Science Park, Shatin, N.T. Hong Kong
Tel: (852) 2954 3333 • Fax: (852) 2954 3304