

***Bluetooth*[®] low energy module**

Bluetooth[®] 5.0 low energy

EYSKJNAWB-WX

Data Report

By purchase of any products described in this document, the customer is deemed to understand and accept contents of this document.

The **Bluetooth**[®] word mark and logos are owned by the **Bluetooth** SIG, Inc. and any use of such marks by TAIYO YUDEN CO., LTD. is under license.

TAIYO YUDEN CO., LTD.

EYSKJNAWB-WX

TAIYO YUDEN CO., LTD.

Document constituent list

Control name	Control No.	Document Page
General Items	HD-AG-A191070	1/7 - 7/7
Absolute maximum ratings	HD-AM-A191070	1/1
Electrical characteristics	HD-AE-A191070	1/2 - 2/2
Circuit schematic	HD-MC-A191070	1/3 - 3/3
Outline / Appearance	HD-AD-A191070	1/1
Pin Layout	HD-BA-A191070	1/1
Handling Precaution	HQ-BA-537	1/2 - 2/2
Packaging Specification	HD-BB-A191070	1/3 - 3/3
Antenna application note		1/3 - 3/3
Design guide		1/1
Functional Specification		1/39 – 39/39
Command API		1/94 – 94/94
Precautions	HQ-BK-002_02	1/2 - 2/2

Revision History

11-May -2020 > Ver.1.0 Release

23-Jun -2020 > Ver.1.1 Release

EYSKJNAWB-WX

TAIYO YUDEN CO., LTD.

Control No. HD-AG-A191070	(1/7)	Control name General Items
------------------------------	-------	-------------------------------

1. Scope

This specification ("Specification") applies to the hybrid IC "EYSKJNAWB-WX", a **Bluetooth**[®] 5.0 low energy module ("Product") manufactured by TAIYO YUDEN Co., Ltd. ("TAIYO YUDEN")

2. Description

- a) User Code : EYSKJNAWB-WX
Type : EYSKJN

*User Code may be changed for mass production or other cases.

Note: Please use the User Code (EYSKJNAWB-WX) to order this product

- b) Chip : Nordic nRF52840 (1MB Flash, 256kB RAM)
- c) Function : Radio frequency transceiver Module. Bluetooth[®]5.0 conformity.
- d) Application : IoT devices, Health & Fitness Equipment, Sensor, Toys
- e) Structure : Hybrid IC loaded with silicon monolithic semiconductor
Regarding the containment of hazardous substance in this Product,
it conforms to RoHS Directive.
- f) Outline : 28-pin Land Grid Array
- g) Marking : Part Number, Lot Number, and manufacturer on Shielding Case
- h) Country of origin : Japan, Thailand
- i) Packaging : Packaging method: Tape & reel + aluminum moisture barrier bag
Packaging unit: 2000
*It might be provided as tray at sample stage.

TAIYO YUDEN CO., LTD.

EYSKJNAWB-WX

TAIYO YUDEN CO., LTD.

Control No. HD-AG-A191070	(2/7)	Control name General Items
------------------------------	-------	-------------------------------

j) Notes:

a. Limitation of Warranty

- 1) TAIYO YUDEN provides warranties only if the Product is operated under the condition set forth in this Specification. Please note that TAIYO YUDEN shall not be liable for any defect and/or malfunction arising from use of the Product under the terms and conditions other than the operating conditions hereof. In addition when this Product is used under environmental conditions such as over voltage which is not guaranteed, it may be destroyed in short mode. To ensure the security of customer's product, please add an extra fuse or/and a protection circuit for over voltage.
- 2) This Product is designed for use in products which comply with Bluetooth® Specifications. TAIYO YUDEN disclaims and is not responsible for any liability concerning infringement by this Product under any intellectual property right owned by third party in case the customer uses this Product in any product which does not comply with Bluetooth® Specifications (the "non-complying products"). Furthermore, TAIYO YUDEN warrants only that this Product complies with this Specification and does not grant any other warranty including warranty for application of the non-complying products.
- 3) In some cases, TAIYO YUDEN may use replacements as component parts of Products. Such replacement shall apply only to component part of Products, which TAIYO YUDEN deems it possible to replace or substitute according to (i) Scope of Warranty provided in this specification (e.g. Electric Characteristics, Outline, dimension, Conditions of Use, Reliability Tests, Official Standard (Type Approvals etc.)) and (ii) Quality of Products. TAIYO YUDEN also ensures traceability of such replacement on production lot basis.

b. Instruction for Use (CAUTION)

- 1) Because Product is not designed for radiation durability, please refrain from exposing Product to radiation in the use.
- 2) Communication between this Product and other might not be established nor maintained depending upon radio environment or operating condition of this Product and other products with wireless technology.
- 3) This Product operates in the unlicensed ISM band at 2.4GHz. In case this Product is used around the other wireless devices which operate in same frequency band of this Product, there is a possibility that interference occurs between this Product and such other devices. If such interference occurs, please stop the operation of other devices or relocate this Product before using this Product or do not use this Product around the other wireless devices.
- 4) This Product mentioned in this Specification is manufactured for use in Health & Fitness Equipment, Sensor, Toys. Before using this Product in any special equipment (such as medical equipment, space equipment, air craft, disaster prevention equipment), where higher safety and reliability are duly required, the applicability and suitability of this Product must be fully evaluated by the customer at its sole risk to ensure correct and safety operation of those special equipments. Also, evaluation of the safety function of this Product even for use in general electronics equipment shall be thoroughly made and when necessary, a protective circuit shall be added in design stage, all at the customer's sole risk.

TAIYO YUDEN CO., LTD.

EYSKJNAWB-WX

TAIYO YUDEN CO., LTD.

Control No. HD-AG-A191070	(3/7)	Control name General Items
------------------------------	-------	-------------------------------

5) Japan Regulatory Information

- a) This Product is a radio system and obtained certification of construction type combined with the specific antenna.
- b) Please ensure that your product has a label with the following certification mark at easily viewable location. If your product is too small to have the label, please place it in the instruction manual and package of your product. The mark diameter shall be equal or greater than 3mm. In case your product does not have the label with the following certification mark, you or your customer who uses your product may be against the Radio Law and subjected to criminal punishment. TAIYO YUDEN shall not be liable for any loss or damage incurred by you or your customer arising from use of your product which does not have following certification mark.

This product has a radio system which was approved as a radio station in a low power data communication system based on the Radio Law.

-EYSKJN : 001-A15088



6) Canada Regulatory Information

- a) This device complies with Industry Canada's applicable licence-exempt RSSs. Operation is subject to the following two conditions:
 - (1) This device may not cause interference; and
 - (2) This device must accept any interference, including interference that may cause undesired operation of the device.

Le présent appareil est conforme aux CNR d'Industrie Canada applicables aux appareils radio exempts de licence. L'exploitation est autorisée aux deux conditions suivantes :

- 1) l'appareil ne doit pas produire de brouillage;
- 2) l'utilisateur de l'appareil doit accepter tout brouillage radioélectrique subi, même si le brouillage est susceptible d'en compromettre le fonctionnement.

- b) This product is certified as type of the portable device with Industry Canada Rules. To maintain compliance with RF Exposure requirement, please use within specification of this product and have a separation distance of minimum 15 mm between the user and/or bystander and the antenna and /or radiating element.
This distance ensures that the output power (e.i.r.p.) of EYSKJN is below the SAR evaluation Exemption limits defined in RSS-102 issue 5.

Ce produit est certifié comme type de l'appareil portable avec Industrie Règles de Canada. Pour maintenir l'acquiescement avec exigence Exposition de RF, veuillez utiliser dans spécification de ce produit et respecter une distance de séparation d'au moins 15 mm entre l'utilisateur et / ou un tiers et l'antenne et / ou l'élément rayonnant.

Cette distance garantit que la puissance de sortie (p.i.r.e.) d'EYSKBN est inférieure aux limites d'exemption de l'évaluation SAR définies dans le numéro 5 de la norme RSS-102.

- IC: 4389B-EYSKJN

TAIYO YUDEN CO., LTD.

EYSKJNAWB-WX

TAIYO YUDEN CO., LTD.

Control No. HD-AG-A191070	(4/7)	Control name General Items
------------------------------	-------	-------------------------------

- c) Please notify certified ID by either one of the following method on your product.
-Contains IC : 4389B-EYSKJN

Spécifiez ID certifiée dans votre produit par une de méthode suivante.
-Contains IC : 4389B-EYSKJN

7) FCC Regulatory Information

- a) This device complies with part 15 of the FCC Rules.
-Part 15 Subpart C
- b) Operation is subject to the following two conditions: (1) This device may not cause harmful interference, and (2) this device must accept any interference received, including interference that may cause undesired operation.
- c) Please notify certified ID by either one of the following method on your product.
-Contains Transmitter Module FCC ID: RYYEYSKJN
-Contains FCC ID: RYYEYSKJN
- d) Since there is no space which indicates FCC ID on this module, FCC ID is indicated in a manual. If the FCC ID is not visible when the module is installed inside another device, then the module is installed must also display a label referring to the enclosed module.
- e) CAUTION: Changes or modifications not expressly approved by the party responsible for compliance could void the use's authority to operate the equipment.
- f) The modular transmitter is only FCC authorized for the specific rule parts (i.e., FCC transmitter rules) listed on the grant, and the host product manufacturer is responsible for compliance to any other FCC rules that apply to the host not covered by the modular transmitter grant of certification. The final host product still requires Part 15 Subpart B compliance testing with the modular transmitter installed.
- g) This product is certified as type of the portable device with FCC Rules. To maintain compliance with RF Exposure requirement, please use within specification of this product.
- h) The antenna used for this transmitter must not be co-located or operating in conjunction with any other antenna or transmitter.
- i) This module can change the output power depending on the circumstances by the application software which is developed by module installer. Any end user cannot change the output power.

TAIYO YUDEN CO., LTD.

EYSKJNAWB-WX

TAIYO YUDEN CO., LTD.

Control No. HD-AG-A191070	(5/7)	Control name General Items
------------------------------	-------	-------------------------------

8) CE Regulatory Information

- a) When your end product installs this module, it is required to proceed additional certification processes before placing on the market in EU member states to make your products fully comply with relative EU standards.
- b) TAIYO YUDEN can provide you the test reports of conducted measurement portion for the radio module. You can utilize the test reports for the certification processes of your end product as it requires radio testing.

c. Term of Support

- 1) In the case that customer requests TAIYO YUDEN to customize the hardware of this Product in order to meet such customer's specific needs, TAIYO YUDEN will make commercially reasonable effort to modify such hardware or software at customer's expense; provide however, the customer is kindly requested to agree it doesn't mean that TAIYO YUDEN has obligations to do so even in the case it is technically difficult for TAIYO YUDEN.
- 2) Any failure arising out of this Product will be examined by TAIYO YUDEN regardless of before or after mass production. Customer agrees that once such failure is turned out not to be responsible for TAIYO YUDEN after aforesaid examination, some of the technical support shall be conducted by TAIYO YUDEN at customer's expense; provided however, exact cost of this technical support can be agreed through the negotiation by the parties.
- 3) Do not alter hardware and/or software of this Product. Please note that TAIYO YUDEN shall not be liable for any problem if it is caused by customer's alteration of Hardware without Taiyo Yuden's prior approvals.
- 4) TAIYO YUDEN does not guarantee functions and performances which depend on the customer's firmware. TAIYO YUDEN does not assume liabilities for defects and failures (i) in functions, performances and quality of the Customer's product incorporating the Products and (ii) which may occur as the Product is incorporated in the Customer's product.

d. Caution for Export Control

This Product may be subject to governmental approvals, consents, licenses, authorizations, declarations, filings, and registrations for export or re-export of the Product, required by Japanese Foreign Exchange and Foreign Trade Law (including related laws and regulations) and/or any other country's applicable laws or regulations related to export control.

In case you will export or re-export this Product, you are strongly recommended to check and confirm, before exporting or re-exporting, necessary procedures for export or re-export of this Product which is required by applicable laws and regulations, and if necessary, you have to obtain necessary and appropriate approvals or licenses from governmental authority at your own risk and expense.

e. Term of Warranty

TAIYO YUDEN warrants only that this Product is in conformity with this Specification for one year after purchase and shall in no event give any other warranty.

TAIYO YUDEN CO., LTD.

EYSKJNAWB-WX

TAIYO YUDEN CO., LTD.

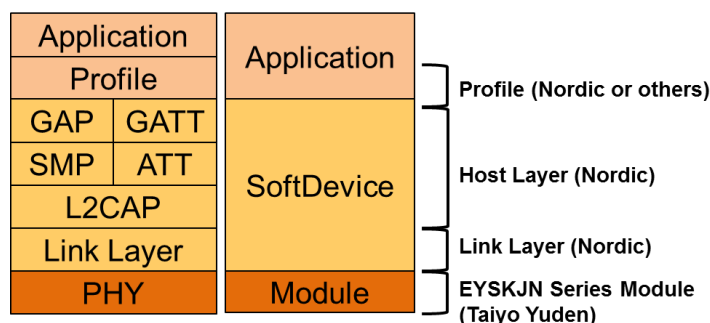
Control No. HD-AG-A191070	(6/7)	Control name General Items
------------------------------	-------	-------------------------------

f. Items of the Specification

- 1) Any question arising from the Specification shall be solved in good faith through mutual discussion by the parties hereof.
- 2) The language of this “General items” is Japanese and this “General items” shall be interpreted by Japanese Any copies of translation is a reference purpose only and is not binding on both parties hereto.

g. Special note

- 1) The latest errata and document released by Nordic Semiconductor ASA must be referred the document is given priority over this document. Please note that TAIYO YUDEN shall not be liable for any problem and related issue for developed or manufactured application software or product without reference or consideration of the information released by Nordic Semiconductor ASA.
- 2) In case of applying the radio certification to countries or regions other than the countries (Japan, USA (FCC), Canada (ISED)) certified as module, this module may fail to meet the test limit of regulations in some countries or regions. In such cases, please take measures to meet the limit externally of this module, or apply to the certification with lower setting of maximum output power.
- 3) EYSKJN series module is qualified as PHY only with Component category by Bluetooth SIG. The QDID of this module is 128525. The final product needs to get qualification as End product combining with PHY (module), SoftDevice and Profile before selling the product. In this product, the QDID of Link Layer is 106843 and Host Layer is 111593. Please refer to following combination and consult with your qualification body and BQC.



EYSKJNAWB-WX

TAIYO YUDEN CO., LTD.

Control No. HD-AG-A191070	(7/7)	Control name General Items
------------------------------	-------	-------------------------------

The use of Embedded Software

Before using this product.

Please kindly read carefully and understand the following before using the Products.

1. Taiyo Yuden Co., Ltd. (hereinafter “TY”), lawfully has copyrights and other rights to the software embedded to the memory of the Products (the “Embedded Software”). Except as otherwise expressly provided herein, your company is not permitted to disclose or offer the Embedded Software, either wholly or partly, to any third party (including uploading to your company or third party (ies)’s web sites and downloading by third parties from such sites), nor to copy, revise, reverse engineer, upgrade, make specification change, or alienate the Embedded Software.

2. Before using the Products, you need to check and confirm sufficient safety and operation of your products which incorporate the Products and interoperability and compatibility with other Bluetooth® enabled products.

3. TY have not evaluated and confirmed the interoperability, compatibility, etc. of the Products (including Embedded Software) with every kind of Bluetooth® enabled product. In addition, TY does not guarantee interoperability and compatibility of the Product with certain devices. In order to minimize the damage or harm arising out of the Potential Failure or out of combination with other devices, TY recommend your company set up interface or external pin (for detail, please refer to Specification “ Pin Layout ” of this document) for rewriting the Embedded Software.

TAIYO YUDEN CO., LTD.

EYSKJNAWB-WX

TAIYO YUDEN CO., LTD.

Control No. HD-AM-A191070	(1/1)	Control name Absolute maximum ratings
------------------------------	-------	--

Absolute maximum ratings

Symbol	Parameter	Min.	Max.	Units
VDD		-0.3	+3.9	V
GND			0	V
VIO, VDD≤3.6V		-0.3	VDD+ 0.3	V
VIO, VDD>3.6V		-0.3	+3.9	V
Storage temperature		-40	+85	Deg-C
MSL	Moisture Sensitivity Level	3		
ESD HBM	Human Body Model		1	kV
ESD MM	Machine Model		100	V
Endurance	Flash Memory Endurance	10000		write/erase cycles
Retention	Flash Memory Retention	10 years		At 40 deg-C

EYSKJNAWB-WX

TAIYO YUDEN CO., LTD.

Control No. HD-AE-A191070	(1/2)	Control name Electrical characteristics
------------------------------	-------	--

Electrical characteristics**Recommendation operating range**

Symbol	Parameter	Min.	Typ.	Max.	Units
VDD	VDD supply voltage, independent of DCDC enable	1.7	3.0	3.6	V
VDD,POR	VDD supply voltage needed during power-on reset.	1.75			V
tR_VDD	Supply rise time (0V to 1.7V)*1			60	ms
TA	Operation temperature	-40	25	85	Deg-C

*1 The on-chip power-on reset circuitry may not function properly for rise times outside the specified interval. Also after power off, it must start up from below 0.3V. The on-chip power-on reset circuitry may not function properly.

DC Specifications

The Specification applies for Topr.= 25 degrees C, VDD = 3.0V

Symbol	Parameter (condition)	Min.	Typ.	Max.	Units
VIH	Input high voltage	0.7 x VDD		VDD	V
VIL	Input low voltage	GND		0.3 x VDD	V
VOH	Output high voltage (high drive 5 mA)	VDD-0.4		VDD	V
VOL	Output low voltage (high drive 5 mA)	GND		GND+0.4	V
RPU	Pull-up resistance	11	13	16	Kohm
RPD	Pull-down resistance	11	13	16	Kohm
ITX,+8dBm,DCDC	TX only run current (DCDC, 3V) PRF=+8 dBm		14.8		mA
ITX,+8dBm	TX only run current PRF=+8 dBm		32.7		mA
IRX,1M,DCDC	RX only run current (DCDC, 3V) 1Msps BLE		4.6		mA
IRX,1M	RX only run current 1Msps BLE		9.9		mA
IRX,2M,DCDC	RX only run current (DCDC, 3V) 2Msps BLE		5.2		mA
IRX,2M	RX only run current 2Msps BLE		11.1		mA
RSTR	RESET High to Module Ready		1.5	3.0	sec
RPW	RESET Pulse Width		25		ms

EYSKJNAWB-WX

TAIYO YUDEN CO., LTD.

Control No. HD-AE-A191070	(2/2)	Control name Electrical characteristics
------------------------------	-------	--

RF Specifications

Symbol	Description	Min.	Typ.	Max.	Units
Fop	Operating frequencies	2402		2480	MHz
PLLchsp	PLL channel spacing		1		MHz
DfBLE1M	Frequency deviation @ BLE 1Msps		+/-250		kHz
DfBLE2M	Frequency deviation @ BLE 2Msps		+/-500		kHz
PRF	Maximum output power		8.0		dBm
PRFC	RF power control range		28		dB
PRFCR	RF power accuracy			+/-4	dB
PRF1	1st Adjacent Channel Transmit Power 1 MHz (1 Mbps)		-24.8		dBc
PRF2	2nd Adjacent Channel Transmit Power 2 MHz (1 Mbps)		-54.0		dBc
PRXMAX	Maximum received signal strength at < 0.1% PER		0		dBm
PSENS,IT,1M,BLE	Receiver sensitivity 1Msps BLE Ideal transmitter <=37bytes (0.1% BER)		-94		dBm
PSENS,IT,2M,BLE	Receiver sensitivity 2Msps BLE Ideal transmitter Packet length<=37bytes		-91		dBm
PSENS,IT,BLE LE125k	Sensitivity, 125 kbps BLE mode		-102		dBm

Many documents of nRF52840, such as product specification and the errata, can be found at the link below (There is a possibility that it will change in the future). Please be sure to check these latest documents when using our module.

nRF52840_Product Specification

https://infocenter.nordicsemi.com/topic/ps_nrf52840/keyfeatures_html5.html?cp=3_0_0

nRF52840 Errata

https://infocenter.nordicsemi.com/topic/struct_nrf52/struct/nrf52840_errata.html?cp=3_0_1

For more information

https://infocenter.nordicsemi.com/topic/struct_welcome/struct/welcome.html

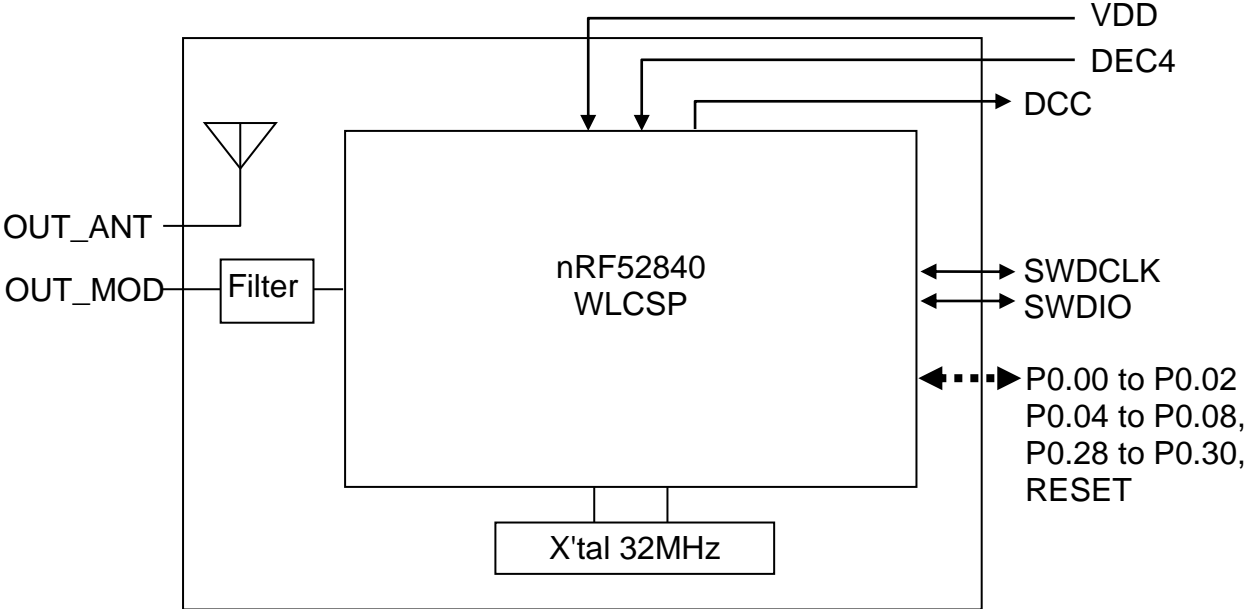
TAIYO YUDEN CO., LTD.

EYSKJNAWB-WX

TAIYO YUDEN CO., LTD.

Control No. HD-MC-A191070	(1/3)	Control name Circuit Schematic
------------------------------	-------	-----------------------------------

Block Diagram

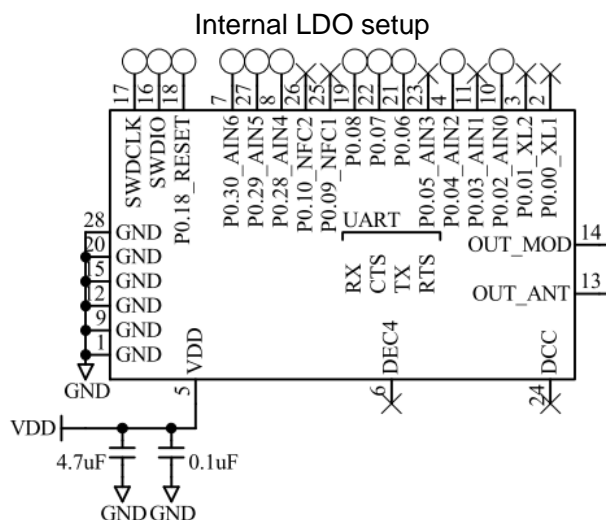


EYSKJNAWB-WX

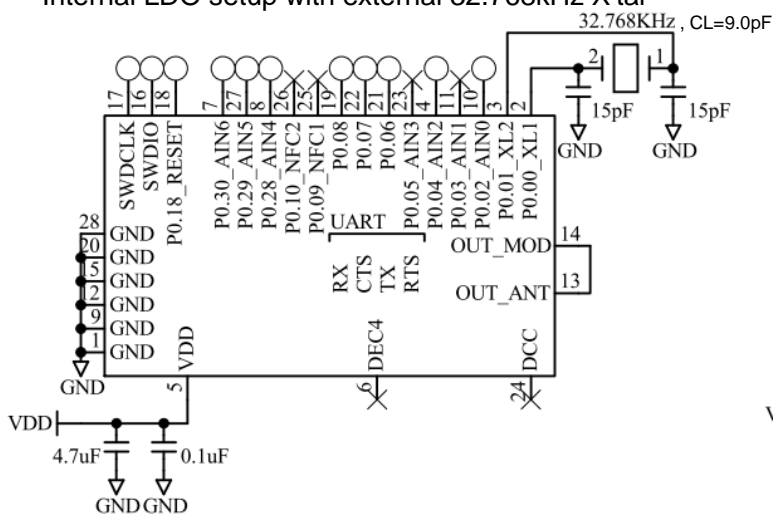
TAIYO YUDEN CO., LTD.

Control No. HD-MC-A191070	(2/3)	Control name Circuit Schematic
------------------------------	-------	-----------------------------------

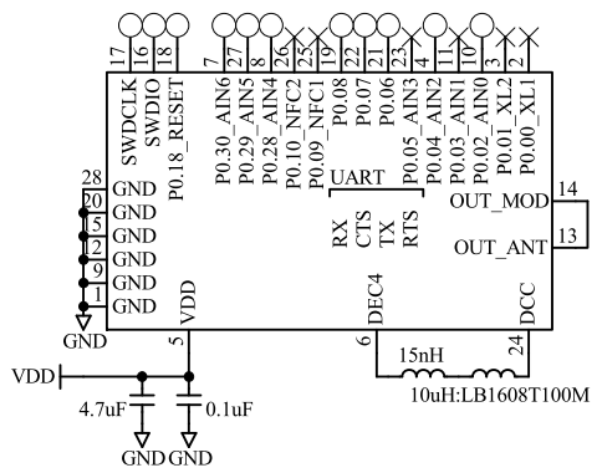
Sample circuits



Internal LDO setup with external 32.768kHz X'tal



DC/DC converter setup



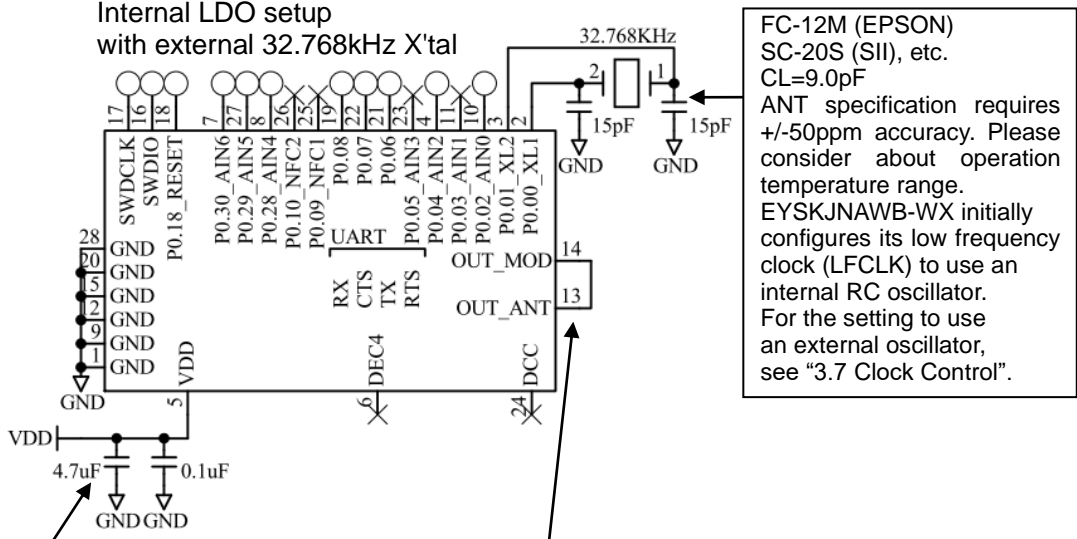
Value	Description	Footprint [mm]
0.1uF	Capacitor, X5R, ±10 %	1005
4.7uF	Capacitor, X5R, ±10 %	1608
15pF	Capacitor, C0H, ±5 %	1005
32.768 kHz	FC-12M (EPSON), SC-20S (SII), etc., CI = 9 pF	2012
15nH	High frequency chip inductor ±5 %	1005
10uH	LB1608T100M	1608

EYSKJNAWB-WX

TAIYO YUDEN CO., LTD.

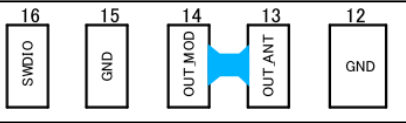
Control No. HD-MC-A191070	(3/3)	Control name Circuit Schematic
------------------------------	-------	-----------------------------------

Reference Circuits (Normal voltage mode*1)

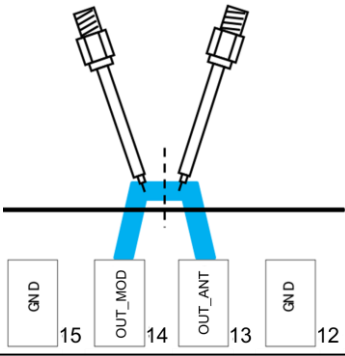


In case of the operation with the battery, we recommend that you add a capacitor of about 100uF in view of the voltage drop during TX/RX
 In case of the power supply voltage fluctuation by the load change is large, the module may not function properly.
 If an external regulator is used, the load change characteristic should be good in order to keep stable voltage as possible when the current is change.

In order to use the built-in antenna on the module, please connect PAD13 and PAD14 as short as possible.



If you need to measure the antenna performance and RF conduction performance, please draw a tie line of PAD13 and PAD14 outside a module in advance.
 When measuring, please cut off the signal line and attach the RF connector cable.

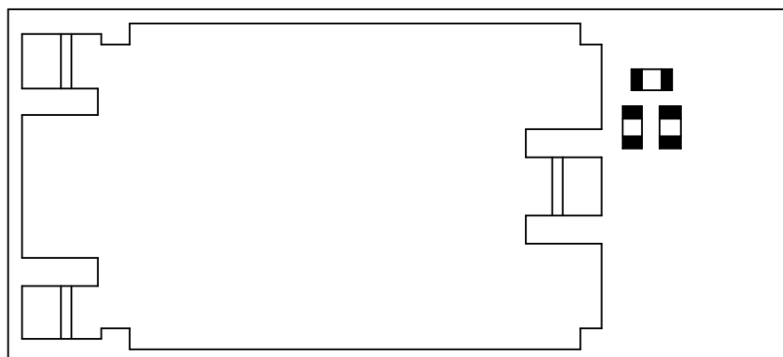


*1 Normal voltage mode
 Normal voltage mode is entered when the supply voltage is connected to both the VDD and VDDH pins. In EYSKJNAWB-WX, VDD and VDDH are connected inside the module.

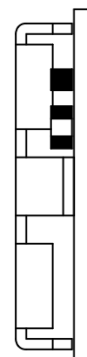
EYSKJNAWB-WX

TAIYO YUDEN CO., LTD.

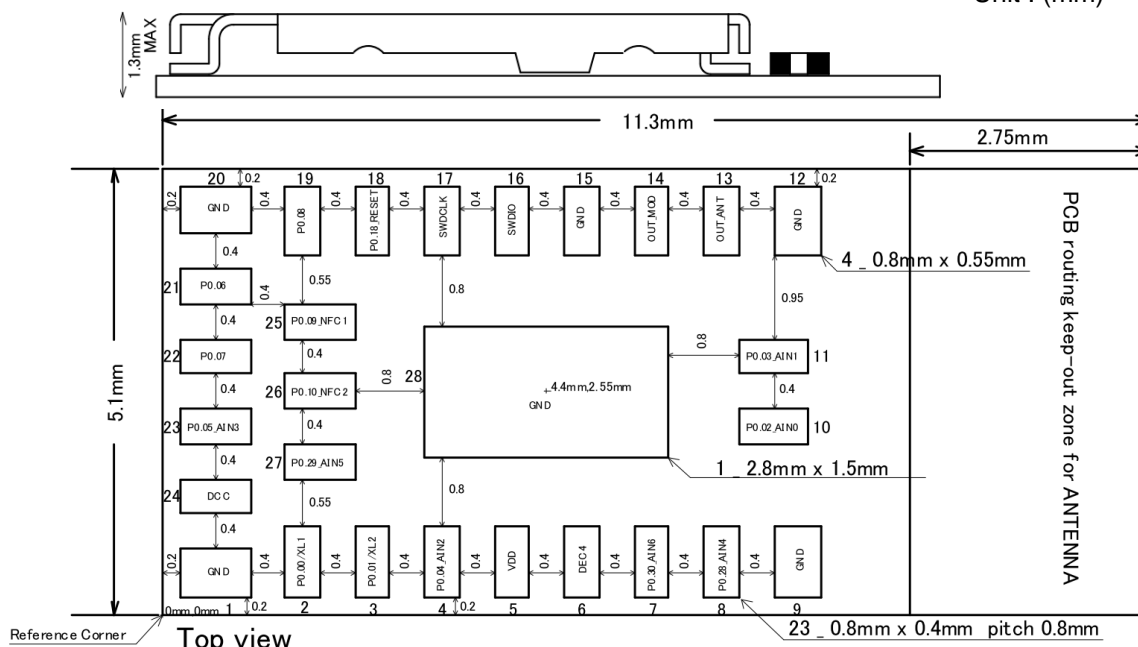
Control No. HD-AD-A191070	(1/1)	Control name Outline/Appearance
------------------------------	-------	------------------------------------



Tolerance: +/- 0.2mm



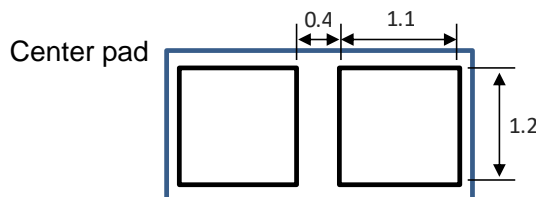
Tolerance: +/- 0.2mm
Unit : (mm)



The dimension of the land pattern is the same as a foot pattern. Recommended metal mask for solder printing

Pad size	Metal mask opening
Signal pad 23 - 0.4 x 0.8 mm	0.35 x 0.7 mm
Corner pad 4 - 0.55 x 0.8 mm	0.45 x 0.75 mm
Center pad 1 - 2.8 x 1.5 mm	1.1 x 1.2 mm x 2

The metal mask thickness: t=0.1mm



EYSKJNAWB-WX

TAIYO YUDEN CO., LTD.

Control No. HD-BA-A191070	(1/1)	Control name Pin Layout
------------------------------	-------	----------------------------

Pin Descriptions

Pin	Pin name	Pin function	Description
1	GND	Ground	Ground pin. (0 V)
2	XL1	Analog input	Connection for 32.768kHz crystal (LFXO). (Factory default : Using an internal RC oscillator)
3	XL2	Analog input	Connection for 32.768kHz crystal (LFXO). (Factory default : Using an internal RC oscillator)
4	P0.04	DTM mode	Enter DTM Mode
5	VDD	Power	Power supply pin.
6	DEC4	Power	1V3 regulator supply decoupling.
7	P0.30	Mode Select	Data transfer method setting
8	P0.28	Power Save	Enter Power Save Mode
9	GND	Ground	Ground pin. (0 V)
10	P0.02	Factory reset	Application will revert to default settings.
11	P0.03 AIN1	Not Connected	Reserved for future use
12	GND	Ground	Ground pin. (0 V)
13	OUT_ANT	Antenna In/Out	Internal antenna. It should be connected to Pin 14 OUT_MOD for normal operation.
14	OUT_MOD	RF In/Out	RF I/O pin. It should be connected to Pin 13 OUT_ANT for normal operation.
15	GND	Ground	Ground pin. (0 V)
16	SWDIO	Digital I/O	Serial Wire Debug I/O for debug and programming
17	SWDCLK	Digital input	Serial Wire Debug clock input for debug and programming
18	P0.18	Reset	The device will be held in RESET while this pin is held low.
19	P0.08	UART RX	Data input
20	GND	Ground	Ground pin. (0 V)
21	P0.06	UART TX	Data output
22	P0.07	UART CTS	Clear to send input signal
23	P0.05	UART RTS	Ready to send output signal
24	DCC	Power	DC/DC converter output pin.
25	NFC1 P0.09	Not Connected	Reserved for future use
26	NFC2 P0.10	Not Connected	Reserved for future use
27	P0.29	DFU mode	Enter DFU Mode
28	GND	Ground	Ground pin. (0 V)

TAIYO YUDEN CO., LTD.

EYSKJNAWB-WX

TAIYO YUDEN CO., LTD.

Control No. HQ-BA-537	(1/2)	Control name Handling Precaution
--------------------------	-------	-------------------------------------

This specification describes desire and conditions especially for mounting.

Desire/Conditions

(1) Environment conditions for use and storage

1. Store the components in an environment of < **40deg-C/90%RH** if they are in a moisture barrier bag packed by TAIYO YUDEN.
2. Keep the factory ambient conditions at < **30deg-C/60%RH**.
3. Store the components in an environment of < **25±5deg-C/10%RH** after the bag is opened.
(The condition is also applied to a stay in the manufacture process).

(2) Conditions for handling of products

Make sure all of the moisture barrier bags have no holes, cracks or damages at receiving. If an abnormality is found on the bag, its moisture level must be checked in accordance with 2 in (2).

Refer to the label on the bag.

1. All of the surface mounting process (reflow process) must be completed **in 12 months** from the bag sea date.
2. Make sure humidity in the bag is less than **10%RH** immediately after open, using a humidity indicator card sealed with the components.
3. **All** of the surface mounting process (reflow process including rework process) must be completed in **168 hours** after the bag is opened (inclusive of any other processes).
4. If any conditions in (1) or condition 2 and 3 in (2) are not met, bake the components in accordance with the conditions at **125deg-C 24hours**
5. As a rule, baking the components in accordance with conditions 4 in (2) shall be once.
6. Since semi-conductors are inside of the components, they must be free from static electricity while handled.(<100V) Use ESD protective floor mats, wrist straps, ESD protective footwear, air ionizers etc. , if necessary.
7. Please make sure that there are lessen mechanical vibration and shock for this module, and do not drop it.
8. Please recognize pads of back side at surface mount.
9. Washing the module is not recommended. If washing cannot be avoided, please test module functionality and performance after thoroughly drying the module.
We cannot be held responsible for any failure due washing the module.
10. Please perform temperature conditions of module at reflow within the limits of the following.
Please give the number of times of reflow as a maximum of 2 times.

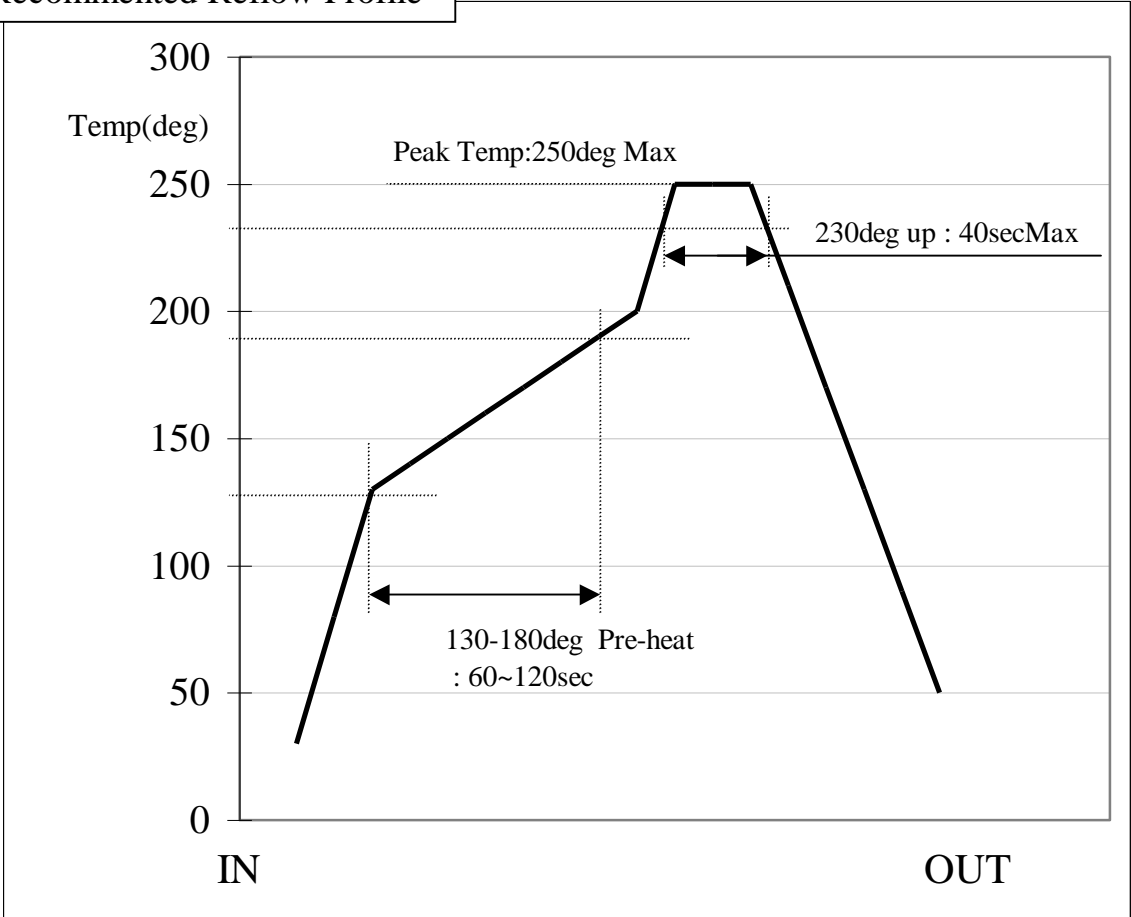
TAIYO YUDEN CO., LTD.

EYSKJNAWB-WX

TAIYO YUDEN CO., LTD.

Control No. HQ-BA-537	(2/2)	Control name Handling Precaution
--------------------------	-------	-------------------------------------

Recommended Reflow Profile



EYSKJNAWB-WX

TAIYO YUDEN CO., LTD.

Control No. HD-BB-A191070	(1/3)	Control name Packaging Specification
------------------------------	-------	---

Packaging Specification

梱包仕様

(1) Packaging Material 梱包材料

Name 部材名	Outline 概要	Materials 材質	Note 備考
Emboss エンボス	24mm wide - 12mmPitch 24mm幅 - 12mmピッチ	Conductive PS 導電性 PS	
Cover Tape カバーテープ			
Reel リール	φ 330 mm	Conductive PS 導電性 PS	
Desiccant 乾燥剤	30g×1		
Humidity indicator card 湿度インジケータ			
Aluminum moisture barrier bag アルミ防湿袋	420×460(mm)	(AS)PET/AL/NY/PE(AS)	
Label ラベル			
Corrugated cardboard box(Inner) 個装箱	339×351×74(mm)		
Corrugated cardboard box(Outer) 外装箱	369×369×277(mm)		

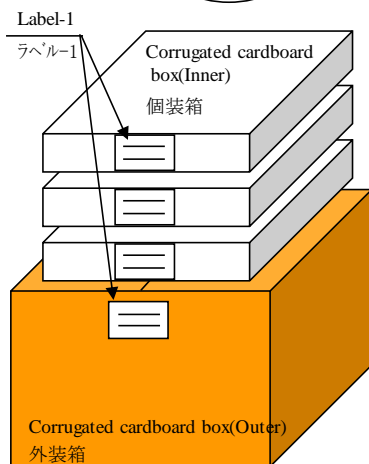
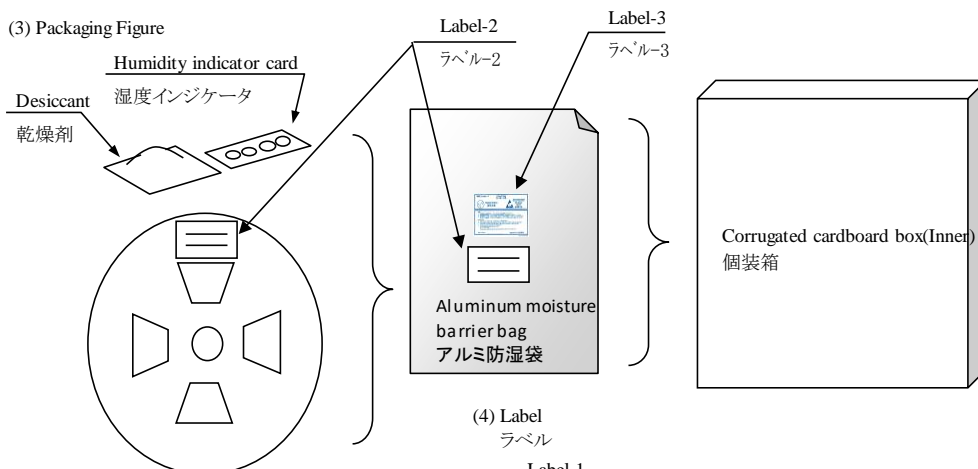
(2) Packaging Unit

梱包数量

Max 2000 pieces/Reel

Max 6000 pieces/Box(Outer)

(3) Packaging Figure



Label-1

- CAMPANY NAME 御社名
- PURCHASE ORDER 注文番号
- DESCRIPITON 品名
- QUANTITY 数量
- LotNo. ロット番号
- Technical Conformity Mark 技適マーク
- Certification number 認証番号
- Country of Origin 原産国

Label-2

- PURCHASE ORDER 注文番号
- DESCRIPITON 品名
- QUANTITY 数量
- LotNo. ロット番号
- Technical Conformity Mark 技適マーク
- Certification number 認証番号

Label-3

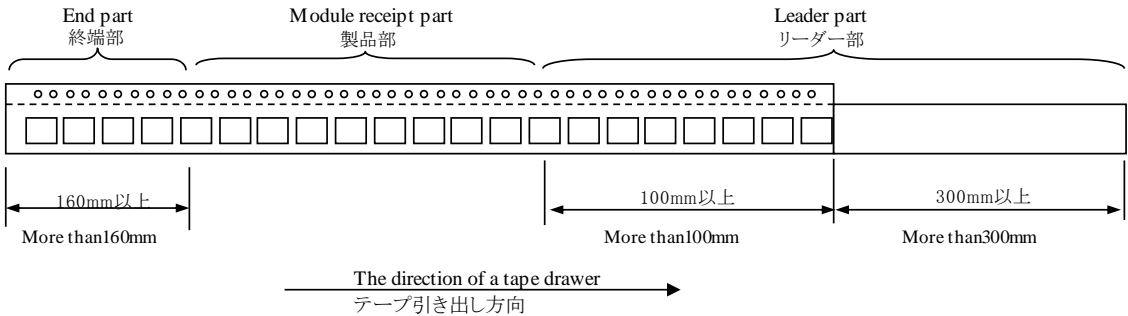
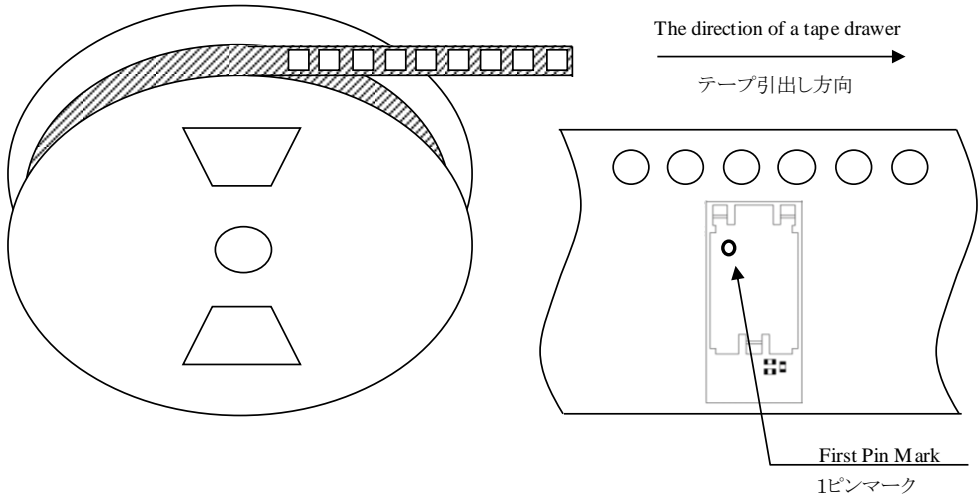
- CAUTION LABEL 注意ラベル
- MSL Level3

TAIYO YUDEN CO., LTD.

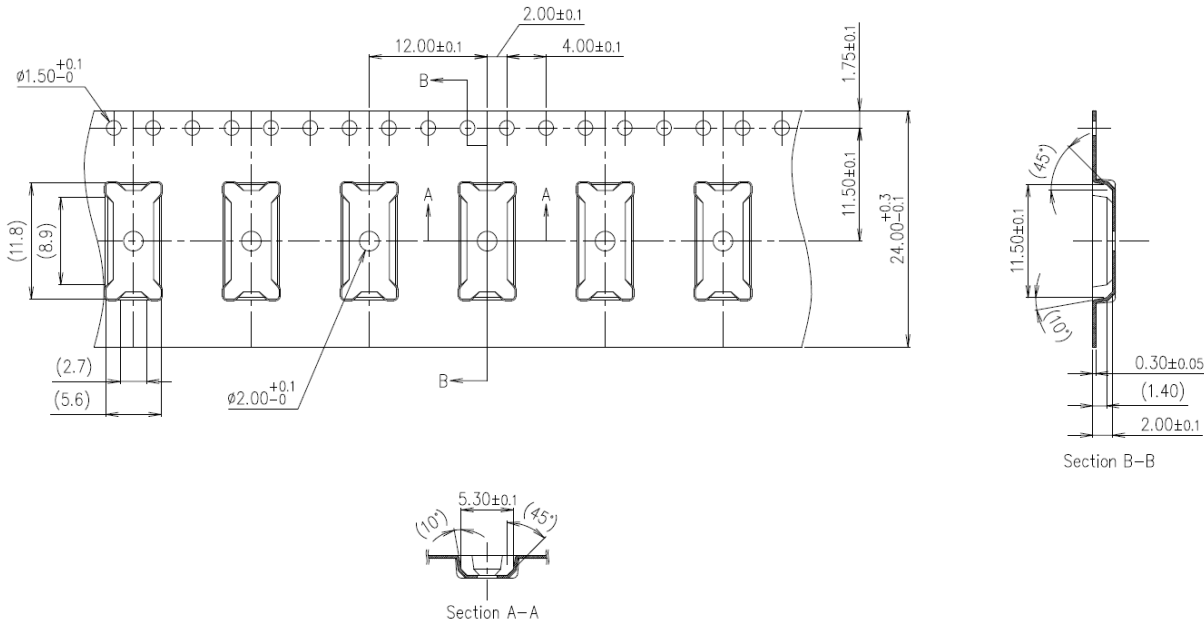
EYSKJNAWB-WX

TAIYO YUDEN CO., LTD.

Control No. HD-BB-A191070 Tape specification テープ仕様	(2/3)	Control name Packaging Specification
---	-------	---



キャリアエンボス図面

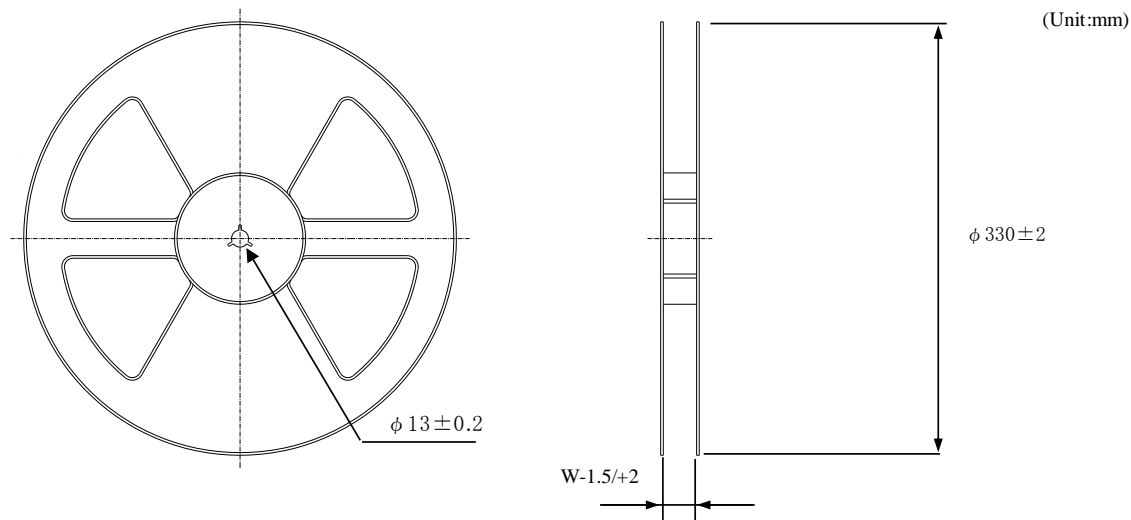


TAIYO YUDEN CO., LTD.

EYSKJNAWB-WX

TAIYO YUDEN CO., LTD.

Control No. HD-BB-A191070 Reel specification リール仕様	(3/3)	Control name Packaging Specification
---	-------	---



Tape wide	8mm	12mm	16mm	24mm	32mm	44mm
W	9.4mm	13.4mm	17.4mm	25.4mm	33.4mm	45.4mm

Taping performance

テーピング性能

Both of an embossing tape top cover tape bear this, when the power of 10N is applied in the direction of a drawer.

- エンボステープ、トップカバーテープともに、引き出し方向に10Nの力を加えた場合に、これに耐えうること。

The exfoliation adhesion of a top cover tape is the intensity of 0.1~1.3N.

(The angle to pull is 165~180 degrees. The speed to pull is 300 mm/min.)

- トップカバーテープの剥離強度は、角度165~180度に保ち、300mm/minのスピードでトップカバーテープを引っ張ったとき、0.1~1.3Nとする。

Note

備考

Lack of the parts in 1 reel is with two or less pieces.

1リール中の部品の欠落は2個までとします。(ラベル表示数量と梱包数は同じです。欠落とはテープ内でのモジュール抜けが2個まで許容させていただくという意味になります。)

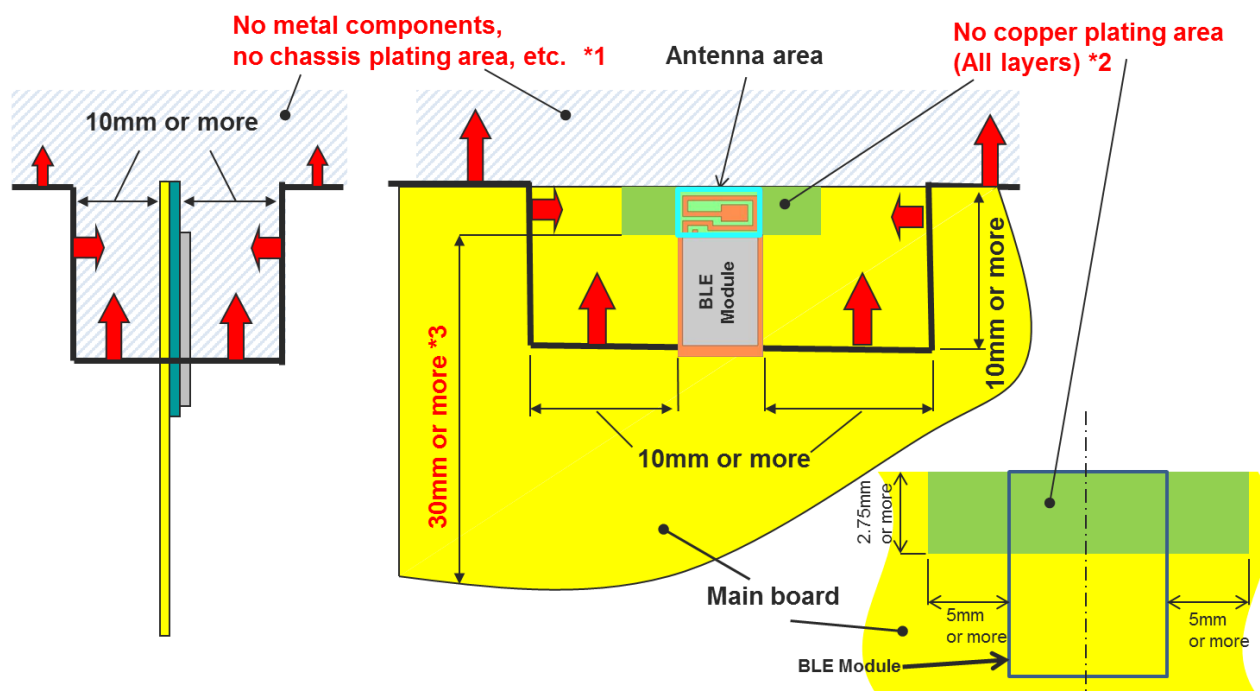
MSL Level 3 Under control

MSL はレベル3 で管理しています。

TAIYO YUDEN CO., LTD.

Control No.	(1/3)	Control name	Antenna application note
-------------	-------	--------------	--------------------------

Recommended module mounting example



*1 Please do not place any metal components in blue shaded space, (*1) such as signal line and metal chassis as possible except for main board while mounting the components in *1 space on the main board is allowed except for no copper plating area. (*2).

*2 This area is routing prohibited area on the main board. Please do not place copper on any layer. Please remain use of FR-4 dielectric material. The antenna is tuned with the FR-4.

*3 Characteristics may deteriorate when GND pattern length is less than 30mm. It should be 30 mm or more as possible.

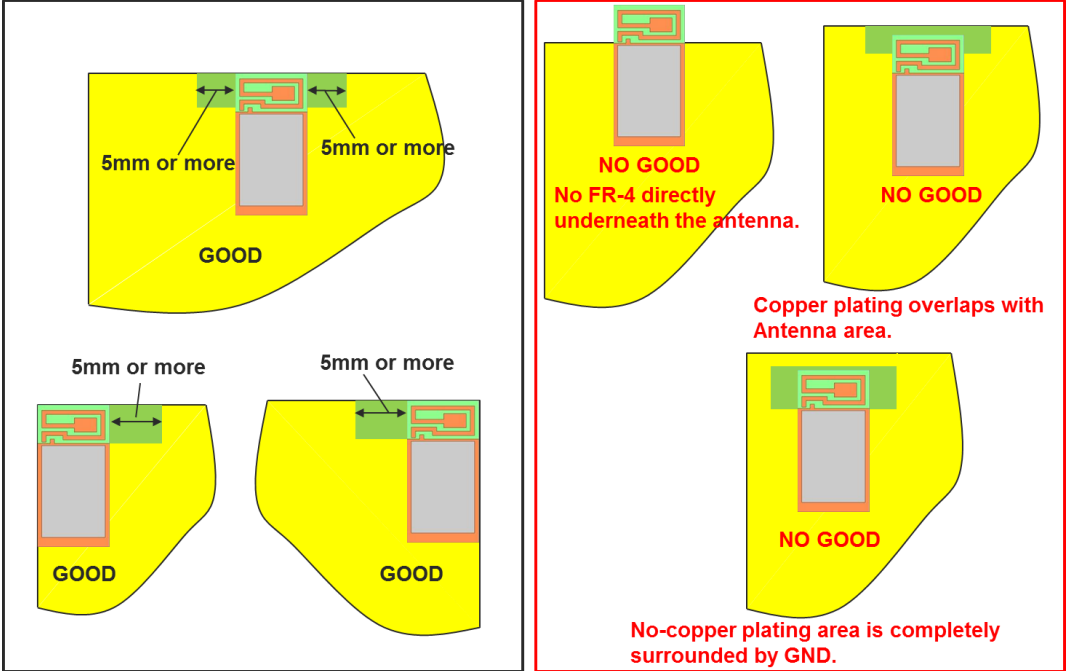
Even when above mentioned condition is satisfied, communication performance may be significantly deteriorated depending on the structure of the product.

EYSKJNAWB-WX

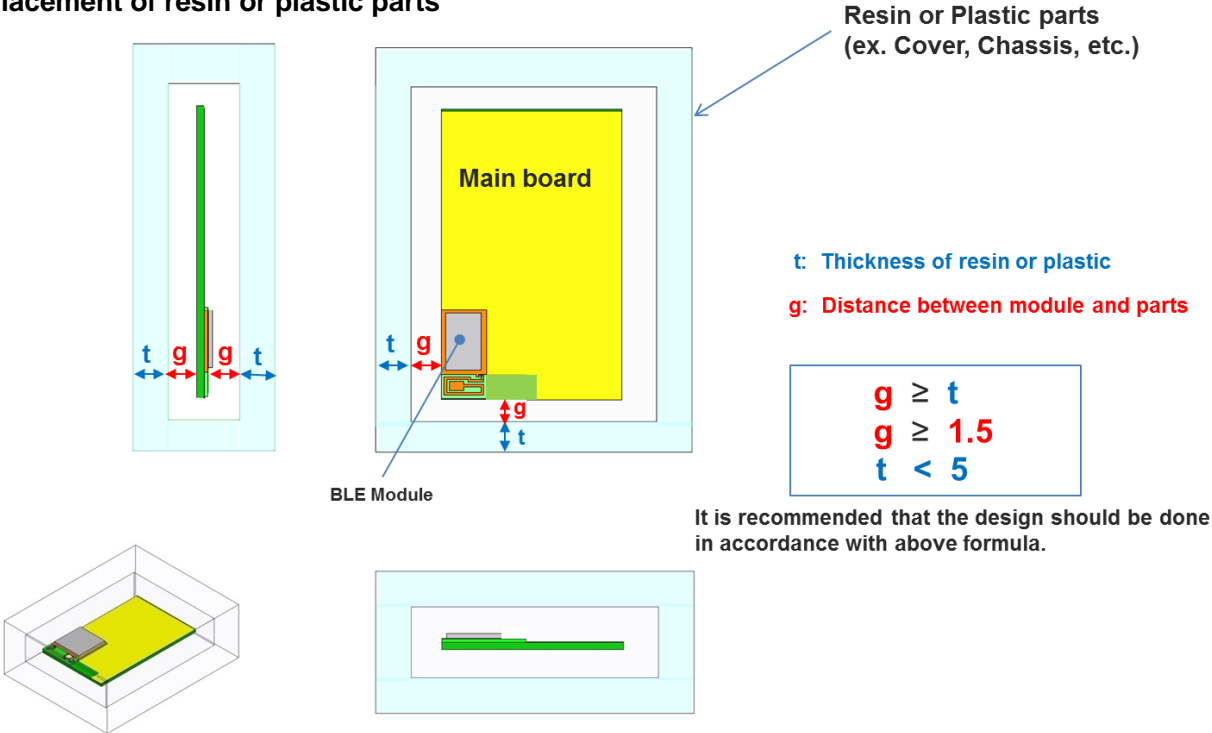
TAIYO YUDEN CO., LTD.

Control No.	(2/3)	Control name	Antenna application note
-------------	-------	--------------	--------------------------

Other module mounting examples



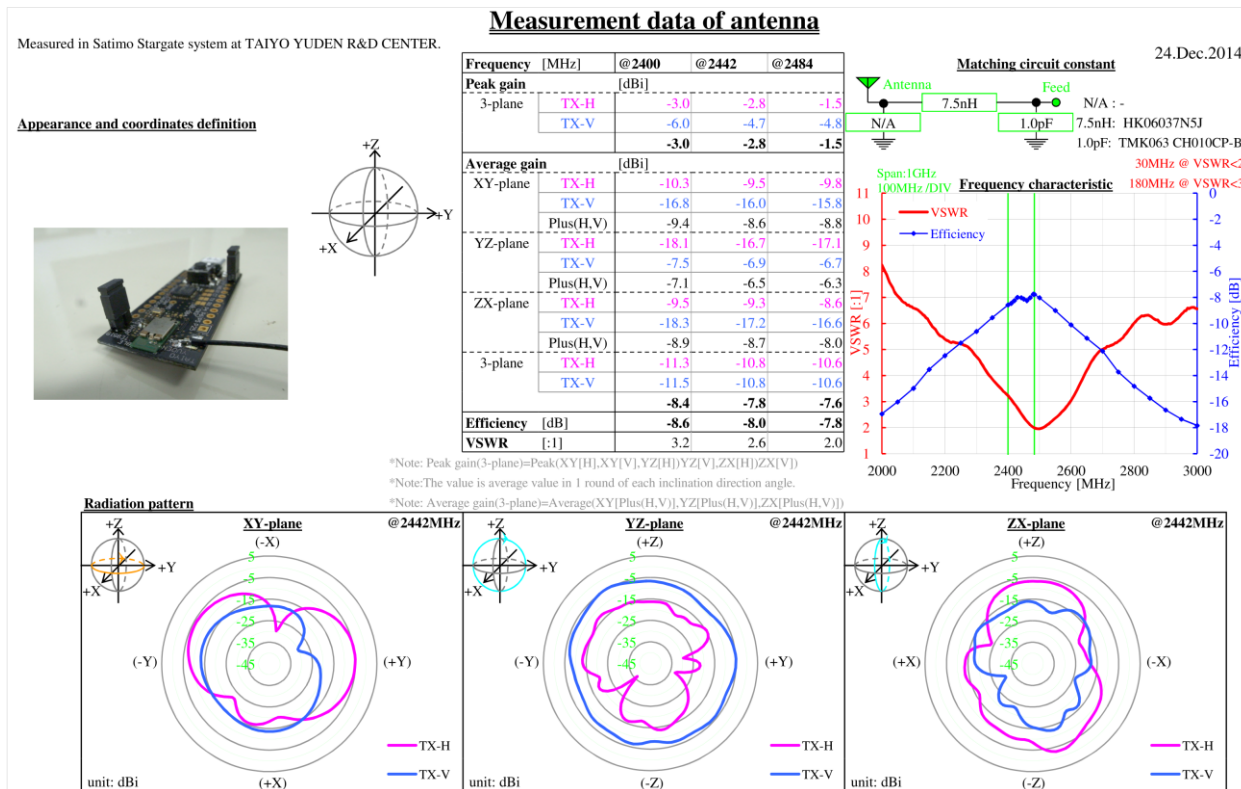
Placement of resin or plastic parts



Please do not apply molding over the antenna area of BLE module.

Control No.	Control name
(3/3)	Antenna application note

Directional characteristics example (when mounted on evaluation board)



About this Application Note

- This Application Note has been prepared as a reference material to help obtaining the antenna performance mounted on BLE module better while it is not guaranteed or assured to obtain better communication performance and distance.
- This product "BLE module" has been certified and matching circuit constant for antenna within module cannot be changed when ambient environment condition changes. The product must be re-certified when matching circuit constant is changed.

EYSKJNAWB-WX

TAIYO YUDEN CO., LTD.

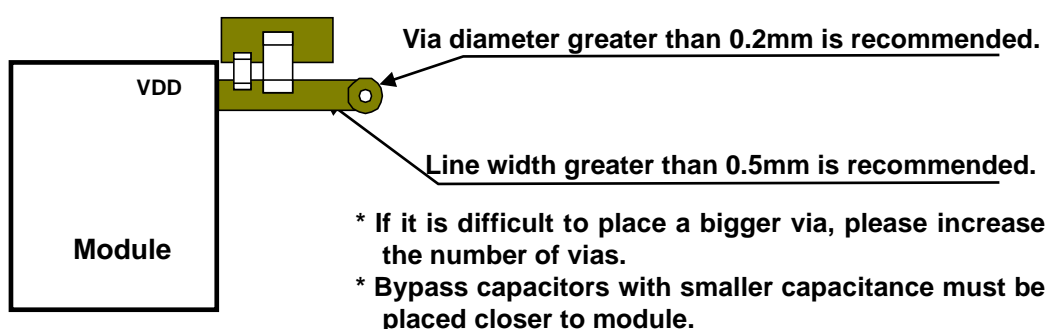
Control No. (1/1)	Control name Design guide
--------------------------	------------------------------

1. Battery operation

When using a small battery (e.g. CR2032), a large capacitor (e.g. 100uF low leakage capacitor) should be placed near the battery. This will reduce the voltage drop especially when the module is operated at low temperatures

2. Pattern Design Guide**2-1. Power Supply System**

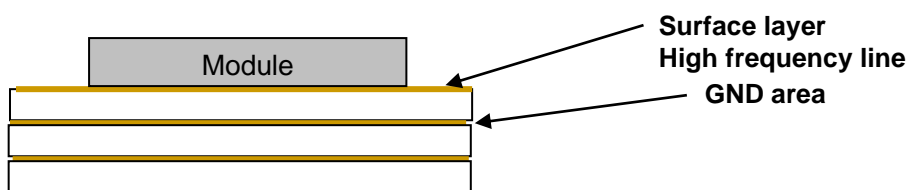
Power supply bypass capacitors should be placed close to the VDD pin of the module. The VDD trace should be greater than 0.5mm and a bigger a via diameter is recommended.

**2-2. Bypass Capacitor Layout**

A parallel combination of a small capacitance and a large capacitance is recommended for bypass capacitors. The GND of the bypass capacitor should be placed close to an adjacent module GND to ensure the shortest closed loop.

2-3. GND Pattern

Power supply bypass capacitor GND should be placed in proximity of module GND. Wide GND area must be provided to ensure isolation for each layer. Also, please surround the signal lines of GPIO, DCC etc. with GND layer as much as possible.



GND pattern of each layer should be connected to GND area with large number of via.

TAIYO YUDEN CO., LTD.

EYSKJNAWB-WX

TAIYO YUDEN CO., LTD.

Copyright Information:

Copyright Year 2019

- Bluetooth® low energy module Software – (TY's app)

This software is owned by TAIYO YUDEN CO., LTD.

You and your company shall conform following:

- (1) The software image may not be made a copy from TAIYO YUDEN CO., LTD.'s module.
- (2) The software image provided by TAIYO YUDEN CO., LTD. must not be loaded to another vendor's module or chipset, and can be copied only for backup.
- (3) The software image may not be provided to anyone.
- (4) The software image may not be analyzed by reverse engineering, decompile, and disassemble.

TAIYO YUDEN CO., LTD. is not responsible for any damage caused by this software.

Firmware Version is Ver. 5.1.8

There is a possibility of changing a software specification.

Trademark:

- iBeacon is a trademark of Apple Inc.

TAIYO YUDEN CO., LTD.

FUNCTIONAL SPECIFICATION

Table of Contents

1	Introduction	31
2	Hardware(ハードウェア).....	31
2.1	IO Assignments.....	31
2.1.1	Board	32
3	General Information(機能全般).....	33
3.1	Command and Event Formats(コマンド/イベント フォーマット).....	33
3.2	Application Boot(アプリケーション起動).....	34
3.3	Application Settings and Defaults(アプリケーション設定/デフォルト値).....	35
3.4	Saving Configuration Data(設定データの保存).....	35
3.5	Factory Reset.....	36
3.6	Power Control.....	37
3.6.1	Regulator Selection	37
3.6.2	Power Save Mode	37
3.7	Clock Control	38
3.8	Direct Test Mode(DTM).....	38
3.9	Device Firmware Updates.....	39
4	Interfaces	40
4.1	Types	40
4.1.1	UART	40
4.2	Modes.....	40
4.2.1	Command Mode	41
4.2.2	Through Mode	41
5	Bluetooth Low Energy	43
5.1	Common Settings	43
5.1.1	Device Address.....	43
5.1.2	Transmission Power	44
5.1.3	Automatic Start.....	44
5.2	Roles.....	45
5.3	Advertising.....	45
5.3.1	Advertising Parameters.....	45
5.3.2	Advertising Data.....	46
5.3.3	Beacon Data.....	48

EYSKJNAWB-WX

TAIYO YUDEN CO., LTD.

5.3.4	Advertising Modes	48
5.3.5	PHY Selection	49
5.3.6	Starting and Stopping Advertising.....	49
5.4	Scanning	50
5.4.1	Scan Parameters	50
5.4.2	Scanning.....	50
5.4.3	Connecting.....	52
5.4.4	Filtering.....	52
5.5	Connections.....	54
5.5.1	Peripheral.....	54
5.5.2	Central	55
5.5.3	Commands and Events.....	56
5.6	Security.....	57
5.6.1	Security Levels	57
5.6.2	Setting IO Capabilities and Out-of-Band Pairing	58
5.6.3	Pairing	59
5.6.4	Bonding.....	63
5.7	Privacy	65
5.7.1	Address Privacy.....	65
5.7.2	Whitelisting.....	65

Figure 1: Data flow for command and through modes.....	42
Figure 2: Receiving advertising PDUs during scanning.....	51
Figure 3: User-configurable scan filters.....	53
Figure 4: Configuring the security level.....	58
Figure 5 (Top) Passkey display, Passkey Input (Bottom) Numeric comparison, Out-of-band data	62
Figure 6: Bonding after succesful pairing	64
Table 1: System control pins	32
Table 2: Interface pins.....	32
Table 3: Boot status messages	34
Table 4: Application defaults.....	35
Table 5: Advertising modes	48
Table 6: Supported PHY types	49
Table 7: Security levels	57
Table 8: IO Capabilities	58
Table 9: Pairing methods.....	60
Table 10: Pairing events	60
Table 11: Bonding commands	63

1 Introduction

This document outlines the components of the TY's app 5.0 device and the configuration options available to the user. The command and event formats required for communicating with the TY's app 5.0 device are explained. Detailed descriptions and use of the commands and events are available in the 「**Command API**」.

本ドキュメントでは TY's app 5.0 のコンポーネントとユーザーが利用するオプション設定に関する概要を記載します。TY's app 5.0 との通信に必要なコマンドとイベントのフォーマットについて説明します。コマンドとイベントの詳細な説明と使用方法については、「**Command API**」を参照してください。

2 Hardware(ハードウェア)

2.1 IO Assignments

A number of IO pins are configured for specific functionality. Refer to the table for your specific board model for pin assignments. All pins listed below are configured as input only unless specified. Note that not all pin functions are available for each board.

特定機能を備えた Pin があります。Pin に割り当てられた機能については、表 1 を参照ください。表 1 に記載されたピンは、デフォルトは入力として構成されています。

2.1.1 Board

Table 1: System control pins

Pin	Function	Configuration	Description
P0.02	Factory reset	Active low Internal pullup	If held low on reset, application settings stored in non-volatile memory are erased. Application will revert to default settings. Pin を low 状態でリセットすると、ROM に保存されたアプリケーション設定が削除され、デフォルト状態に戻ります。
P0.18	Reset	Active low Internal pullup	UICR configured reset pin. The device will be held in RESET while this pin is held low. ユーザー設定を反映させるためのリセットピンです。この Pin を low 状態にすることでデバイスをリセットします。
P0.29	DFU mode	Active low Internal pullup	When held low on reset, device will enter DFU mode until reset. Firmware updates can be issued over the UART interface. Pin を low 状態でリセットすると、デバイスは DFU mode となります。解除には再度リセットが必要です。
P0.04	DTM mode	Active low Internal pullup	When held low on reset, the bootloader will enter DTM mode instead of standard application. Pin を low 状態でリセットすると、通常のアプリケーション起動ではなく Direct TEST Mode(DTM)となります。
P0.30	BLE Mode Select	Varies	Enabled when notify characteristic notifications are enabled. * Low (default) – through mode, pulldown High – command mode, pullup
P0.28	Power Save	Pullup	Disables UART reception while held low. Pin を Low 状態(少なくとも 0.5 秒以上)にすると Power Save Mode に入ります。

The pins listed in the table below are configured for use by the respective interfaces.

以下の表に示すピンは、インターフェースで使用してください。

Table 2: Interface pins

Pin	Function	Description
UART		
0.05	UART RTS	Ready to send output signal
0.06	UART TX	Data output
0.07	UART CTS	Clear to send input signal
0.08	UART RX	Data input

3 General Information(機能全般)

3.1 Command and Event Formats(コマンド/イベント フォーマット)

Commands follow a standard format.

コマンドは以下のフォーマットに準拠しています。

- Each command begins with a command start character '\$'
各コマンドには、先頭に開始文字 '\$'を付与してください
- The 4 character command code
コマンドは 4 文字に統一されています
- Input parameters for the command begin with a parameter token ':'
各コマンドにパラメータを入力する場合パラメータトークン ':'を入力してください
- The command frame ends with CRLF "\r\n"
コマンド終端の改行コードは CR+LF (\r\n) を使用してください

例

`"$CODE\r\n"`

`"$CODE:param1:param2\r\n"`

A response will be returned for all commands. The response follows the same format described above.

For commands that set configuration options, the response will provide a single parameter: "OK" if the command was successful or "ERRxxx" if the command could not be executed. The error number shows the reason that the command failed. Refer to Error Codes in the 「**Command API**」. For commands that fetch configuration options, the parameters returned are described in the 「**Command API**」.

Exceptions are for HRST (immediate reset) and FRST (factory reset) as the device will immediately reset. In these cases.

各コマンド実行後、コマンドに対応するレスポンスコマンドが自動で出力されます。レスポンスコマンドは上記のコマンドフォーマットに準拠します。オプション設定をするコマンドの場合、コマンドが成功した場合は「OK」、コマンドを実行できなかった場合は「ERRxxx」というレスポンスコマンドを出力します。Error コードからコマンドを実行できなかった原因を確認することができます。Error コードに関しては「**Command API**」を参照してください。オプションを取得するコマンドの場合、出力されるパラメータは「**Command API**」を確認ください。HRST (immediate reset) および FRST (factory reset) は例外となっています。(デバイスが即座にリセットされるため)

Events may be generated during operation. Events follow the same format as commands, with the addition of an 'E' character following the start character. A list of events can be found in the 「**Command API**」.

イベントは動作中に出力されます。イベントは、コマンドと同じフォーマットに準拠し、さらにイベントを示す'E'をコマンドの前に付与して出力します。イベントのリストは「**Command API**」を確認ください。

例

`"ECODE\r\n"`

`"ECODE:param1:param2\r\n"`

3.2 Application Boot(アプリケーション起動)

When the TY's app 5.0 is powered on or reset, a boot sequence will be performed. This boot-up includes the following operations:

TY's app 5.0 の電源投入時、またはリセット時、起動処理が行われます。この起動処理には、以下の操作が含まれます。

- Preparing the hardware
ハードウェアの準備
- Loading user settings from flash memory
Flash memory からユーザー設定を読み込む
- Preparing the Softdevice, Services and Characteristics
Softdevice, サービス、Characteristics の準備
- Activating the selected serial interface
シリアルインターフェースの準備

Once the boot sequence is complete, a **Boot** event message will be output over the selected serial interface. The message will display a status parameter depending on the state of the device:

起動処理が完了すると、起動イベントメッセージが選択したシリアルインターフェースを介して出力されます。メッセージはデバイスの状態によって対応したパラメータが表示されます。

Table 3: Boot status messages

Status	Description
DFLT	No user configuration data available. The device default values are being used ユーザー設定データは利用せず、デフォルト設定で起動
OK	The device has successfully booted and is using the stored user configuration 登録されたユーザー設定データを利用して起動
ERR	The device has experienced an error during boot 起動中エラーが発生

3.3 Application Settings and Defaults(アプリケーション設定/デフォルト値)

The table below lists the user-configurable settings and their default values
以下の表でユーザー設定項目とデフォルト値を示します。

Table 4: Application defaults

Field	Value	Field	Value
UART Baudrate	115200	Conn interval max	200ms
Regulator	LDO	Conn super timeout	4s
LFCLK	Internal RC	Conn Latency	0
Device name	"Tysa-B 5"	Extended primary PHY	0 – 1Mbps
Role	Peripheral	Extended second PHY	2 – 2Mbps
Address type	1 (random static)	IO capabilities	0 – None
Address	Factory default	Scan window	250ms
Advertising interval	100ms	Scan interval	500ms
Advertising duration	10s	Scan duration	10s
Advertising mode	1	Scan type	active
Advertising data	Device name only	Scan filter (name)	"Tysa-B 5"
Autostart	enabled	Scan filter (service)	disabled
Bonding	enabled	Security level	1 – None
Conn interval min	100ms	Whitelist	disabled

3.4 Saving Configuration Data(設定データの保存)

Configuration data is read from non-volatile Flash memory during boot and stored in volatile memory (RAM) during operation. Configuration changes made by the user only updates the values stored in volatile memory, therefore any reset or loss of power will cause these changes to be lost. Users can issue a **Save** command (**SAVE**) to the TY's app 5.0 to commit the current configuration data to Flash. This command can only be issued while the device is not currently advertising, scanning or connected via BLE. When this command is successfully executed, the previous configuration will be erased and the new configuration stored. Upon completion, a **save** (**SAVE**) event will be issued to the user interface. In the event that the data is not correctly written or the device is reset before the save completes, the TY's app 5.0 will attempt to recover the configuration data during boot. If the recovery fails, the default configuration will be loaded.

設定データは起動時に Flash から読み出され動作中に RAM に格納されます。設定変更は、通常 Memory (RAM) に保存されている値のみを更新するため、リセットまたは電源が切れると変更した内容が失われます。SAVE コマンドを使用して最新の設定情報を Flash に保存することで、リセットまたは電源が切れても設定値を保持することができます。このコマンドは、デバイスが通信 (Advertising/ スキャン/ BLE 接続) を行っていない間のみ使用することができます。このコマンドが正常に実行された場合、実行前の設定情報は削除され新しい設定情報が保存されます。保存が完了すると、フラッシュ操作 (FLOK) イベントがユーザーインターフェイスを介して出力されます。データが正しく書き込まれないか、保存が完了する前にデバイスがリセットされた場合、TY's app 5.0 は起動中に設定データを回復しようとします。リカバリが失敗すると、デフォルト設定がロードされます。

Some commands affect the boot sequence. These commands require that the user configuration be saved and a reset performed before they are applied. These commands are:

起動処理後に有効になるコマンドもあります。これらのコマンドは、ユーザー設定を保存後にリセットを実行する必要があります。コマンドは次のとおりです。

Code	Description
UART	Set the UART interface baudrate UART インターフェースのボーレートを設定
SSEC	Set the desired security level of the BLE service and characteristics BLE のセキュリティレベルと characteristics を設定
SXLF	Set the preferred LFCLK source LFCLK source を設定

3.5 Factory Reset

In the event that the user wishes to erase all stored configuration settings and bonding information, a factory reset can be performed in two ways:

ユーザーが保存した設定および bonding 情報をすべて消去する Factory Reset は、以下の 2 種類の方法で実行することが可能です

1. Holding the factory reset pin (P0.02) low and resetting the device
Factory reset pin(P0.02)を low 状態にしてデバイスのリセットを実行します
2. Issuing a **Factory Reset** command (FRST) with the “CONFIRM” keyword as a parameter
パラメータを”CONFIRM”に指定して Factory Reset コマンド(FRST)を実行します

If either of these conditions are triggered, the device will erase all user configuration data during boot. The boot message will indicate that the device is using its default configuration. Once the reset is complete, the user should release the pin so that saved data is not erased on subsequent resets.

上記リセットを実施すると、デバイスは起動時にすべてのユーザーデータを消去します。起動メッセージは、デフォルト設定で起動したことを示す(**DFLT**)になります。リセット完了後は、Pin を解放しその後のリセット時で保存されたデータが再度消去されないようご注意ください。

3.6 Power Control

The TY's app 5.0 supports a small number of power control features that users may configure. TY's app 5.0 はユーザーが設定できる省電力制御機能をサポートしています。

3.6.1 Regulator Selection

By default, the TY's app 5.0 is configured to use Low-Dropout (LDO) regulators. DCDC regulators can optionally be selected for use, which may improve efficiency and power consumption. When using a DCDC regulator, it is necessary to mount external inductors. Please refer to sample circuits.

デフォルト設定では、TY's app 5.0 は Low-Dropout (LDO) レギュレータが設定されています。電源効率と電力消費を改善するには、DCDC レギュレータを使用するように設定から選択することが可能です。DCDC レギュレータを使用する場合は外付けインダクタを実装する必要があります。詳しくは参考回路をご確認ください。

The following commands can be used to set and get the regulator configuration:

以下のコマンドを使用してレギュレータ構成を設定および取得ができます:

Code	Description
SREG	Set the regulator configuration to LDO or DCDC レギュレータを LDO か DCDC に設定
GREG	Get the current regulator configuration 現在のレギュレータの設定状態を取得

3.6.2 Power Save Mode

The TY's app 5.0 device can be set to enter power-save mode by pulling the specified IO pin low for a minimum of 0.5 seconds. After this time, the device will disable the UART interface and only enable it when data is sent from the device. This allows the device to shutdown the high speed clock when not in use for considerable power saving.

TY's app 5.0 は power-save I/O Pin(P0.28)を少なくとも 0.5 秒以上 low にすることで power-save mode に設定することができます。Power-save mode 中、デバイスは UART インターフェースを利用することができなくなり、TY's app 5.0 にデータが送信されたときのみ動作することができます。Power-save mode ではデバイスは高速クロックをシャットダウンし、電力消費を抑えることができます。

While this state is active, the device will be unable to accept commands. System events will continue to be emitted, and BLE activity will continue (advertisements, scanning, connection etc.). Full serial functionality can be restored by setting the power-save IO high for a minimum of 0.5 seconds.

Power save enabled (PWRL) and **power save disabled (PWRH)** events will be displayed when the power save mode is changed.

Power-save mode 状態では、TY's app 5.0 はコマンドを受け付けません。システムイベントは通常通り出力することができ、BLE 機能(アドバタイジング、スキャンング、接続状態、etc.)は動作しつづけます。すべてのシリアル機能は、power-save I/O Pin を少なくとも 0.5 秒以上 high にすることで復帰します。

3.7 Clock Control

The TY's app 5.0 device initially configures its low frequency clock (LFCLK) to use an internal RC oscillator synthesized from the HFCLK. When changing the setting to use an external oscillator that may reduce power consumption from LFCLK, it is necessary to mount an external crystal. Please see the reference circuits.

The following commands can be used to set and get the LFCLK configuration:

TY's app 5.0 は HFCLK から合成した内蔵 RC オシレータを使用するように low frequency clock (LFCLK)を設定しています。LFCLK から消費電力を削減できる外部オシレータを使用するように設定変更する場合、モジュール外に水晶振動子を実装する必要があります。詳しくはリファレンス回路をご確認ください。

LFCLK の設定/確認は以下のコマンドから行えます。

Code	Description
SXLF	Set the preferred LFCLK source LFCLK source の設定
GXLF	Get the preferred LFCLK source LFCLK source の取得
RCLF	Get the currently active LFCLK source 現在設定中の LFCLK source の取得

The LFCLK source is configured during the boot sequence, users must therefore issue a **SAVE** command and reset the module to apply changes to the device.

LFCLK source は起動シーケンス中に設定されるため、SAVE コマンドで LFCLK source の設定を保存した後、モジュールをリセットする必要があります。

3.8 Direct Test Mode(DTM)

If DTM mode is selected during boot, the device will enter Direct Test Mode instead of the standard application. The device will remain in this mode until it is reset. The host's serial UART baudrate when using this feature must be set to 19200. Refer to Nordic's documentation on Direct Test Mode for information on using this feature.

起動時に DTM が選択されている場合、TY's app 5.0 は通常のアプリケーションの代わりに DTM に入ります。TY's app 5.0 はリセットが発生するまで DTM を維持します。DTM を使用する際はホスト側のシリアル UART ボーレートを 19200 に設定する必要があります。DTM に関する情報は Nordic のドキュメントを参照してください。

3.9 Device Firmware Updates

The TY's app 5.0 device firmware can be updated via serial UART. If the DFU pin (P0.29) is held low at reset, the device will enter DFU mode. No boot events will be generated when the device enters this mode. A firmware update can be programmed during this time using Nordic's NRF Go Studio application or the nrfutil command line utility. Once the update is complete, ensure that the DFU pin is released prior to reset so that the device does not re-enter DFU mode.

TY's app 5.0 の Firmware はシリアル UART を介して更新することができます。DFU pin(P0.29) を low 状態にしてリセットを行うと、DFU mode に入ります。DFU mode に移行すると起動イベントは出力されません。Firmware の更新は DFU mode 中に nrfutil を使用して行います。更新完了後は、デバイスが再び DFU モードに入らないように、リセットの前に DFU pin が解放されていることを確認してください。

To program a firmware update using nrfutil, enter the following command on the command line: nrfutil を使用して Firmware の更新を行うには、コマンドラインにて以下のコマンドを入力してください。

```
nrfutil dfu serial -pkg dfu_file.zip -p PORT
```

Where *dfu_file.zip* is the zip file containing the firmware update and *PORT* is the COM port the TY's app module is connected to (e.g. COM51). A progress bar will appear and display the results of the update.

dfu_file.zip は Firmware update ファイルが含まれた zip ファイル、*PORT* は TY's app module が接続されている COM Port を指定してください。コマンドが実行されると進行状況を示すバーが表示され更新が完了すると更新結果が表示されます。

Please refer to "DFU (Device Firmware Update) User Guide for EYSK BNUW-WX" for details on how to execute DFU.

DFU の詳細な実施方法については、「DFU (Device Firmware Update) User Guide for EYSKBNUWB-WX」を参照ください。

4 Interfaces

4.1 Types

The TY's app 5.0 device supports up to three interfaces for serial communication; UART. TY's app 5.0 はシリアル接続として、UART インターフェースがサポートされています。

4.1.1 UART

The UART interface operates on a default baudrate of 115200bps, no parity and 1 stop bit. Flow control is not used. Users can modify the baudrate using the following command:

UART インターフェースのデフォルト設定は(ボーレート : 115200bps, parity:なし, stop bit:1, Flow 制御:なし)で起動します。ボーレートを変更する場合は以下のコマンドから変更可能です。

Code	Description
UART	Set the UART interface baudrate UART インターフェースのボーレート設定

Valid baudrates are listed in the「**Command API**」. Baudrate settings are applied on boot, therefore the user must save configuration data to flash using the **SAVE** command and reset the device once the save is complete.

If the user cannot determine the baudrate of the device, a factory reset can be performed to return the interface to its default configuration.

利用できるボーレートの値は「**Command API**」を参照ください。ボーレートの設定は起動時に適応されるため、SAVE コマンドで設定データを Flash に保存が完了してから TY's app 5.0 をリセットしてください。TY's app 5.0 のボーレートを特定できなかった場合、工場出荷状態へ移行する Factory リセットを行うことでデフォルトの値に設定を戻すことができます。

4.2 Modes

Two communication modes are available: **Command** and **Through**. By default, the TY's app 5.0 is always in command mode and follows the formats outlined in section 3.1 Command and Event. When the TY's app 5.0 is connected to a peer device and notifications are enabled on the peripheral's **Read/Notify** characteristic, the communication mode will change depending on the state of the **mode select pin**. The default mode when notifications are enabled is **Through**. **Command** mode can be selected by pulling the pin high. A **Mode (MODE)** event will be generated whenever the mode is changed.

通信モードにはコマンドモードとスルーモードの二種類があります。他デバイスと接続するまでは TY's app 5.0 はコマンドモードで動作を行います。コマンドモードの動作は、3.1 章のコマンド/イベントフォーマットに準拠しています。TY's app 5.0 が他デバイスに接続し、peripheral の Read/Notify が有効になるとモード選択 Pin(P0.30)の状態に応じて通信モードが変化します。モード選択 Pin が Low の場合はスルーモードとなり、モード選択 Pin が High の場合ではコマンドモードで動作します。モードに関するイベント(MODE)はモードが変更されたときに出力されます。

4.2.1 Command Mode

In **Command** mode, the TY's app 5.0 device follows the protocol described in section 3.1 Command and Event. In order to send data over the BLE link to a connected peer device, the **SEND** command can be used. Refer to section 5.5 Connections for information about when this command is available. A **Transmit complete** (BTTX) event will be generated when the data has been sent to the peer device. If data is received from the peer device, a **Data Received** (BTRX) event will be generated.

コマンドモードでは、TY's app 5.0 は 3.1 章のコマンド/イベントに記載されたフォーマットで動作します。ペアリングを行ったデバイスにデータを送信するためには、SEND コマンドを使用します。このコマンドの詳細な使用方法については、5.5 章を参照してください。送信完了イベント(BTTX)はペアリングを行ったデバイスへデータが送信されたときに出力されます。ペアリングを行ったデバイスからデータを受信した時、データ受信イベント(BTRX)が出力されます。

4.2.2 Through Mode

In **Through** mode, all data received on the current interface (UART) is queued directly for transmission over the BLE link. Commands cannot be used in this mode. If the TY's app 5.0 device is configured in a central role **Write-without-response** operations are performed on the peripheral's **Write** characteristic until the queue is empty. In peripheral role **Notification** operations will be performed until the queue is empty. Events will not be output while this mode is active, except **Mode** (MODE) events to notify the user that the mode has changed.

Attempting to send commands to the TY's app 5.0 while this mode is active will result in the command being transmitted to the peer device. The command will not be executed by the peer device. Data received over the BLE link (notifications or writes depending on the current role) will be output directly on the current interface.

スルーモードでは、現在使用しているインターフェース (UART) で受信したデータを、BLE リンクで送信します。そのためスルーモードではコマンドが使用できません。TY's app 5.0 をセントラルとして使用している場合、キューが空になるまでペリフェラルの Write Characteristic に対して応答なしの書き込み操作が実行されます。ペリフェラルでは、Notification 操作はキューが空になるまで実行されます。スルーモードでは、モードが変更されたことをユーザーに通知するためのモードイベント (MODE) を除いてイベントが出力されません。

スルーモードの状態では、TY's app 5.0 にコマンドを送信しようとするコマンドそのものがペアリングを行っているデバイスに送信されます。そのためコマンドは実行することができません。BLE リンク (現在の役割に応じて Notification または write) で受信されたデータは、現在使用しているインターフェースに直接出力されます。

* Note: In through-mode, the TY's app 5.0 module buffers data internally to transmit packets opportunistically as the softdevice internal buffers are emptied. The TY's app 5.0 buffers hold a maximum of 2kB of data. Sending large blocks of data will require some delay to prevent overflow. The duration of this hold-off time will be dependent on the connection interval and baudrate of the BLE connection.

※note: through-mode では、TY's app 5.0 モジュールは、ソフトデバイスの内部バッファが空になると、データを内部的にバッファしてパケットを送信します。TY's app 5.0 バッファは最大 2kB のデータを保持します。大量のデータの送信する場合は、オーバーフローを防ぐためにある程度の遅延が必要となります。このホールドオフ時間の長さは、接続間隔と BLE 接続のボーレートによって異なります。

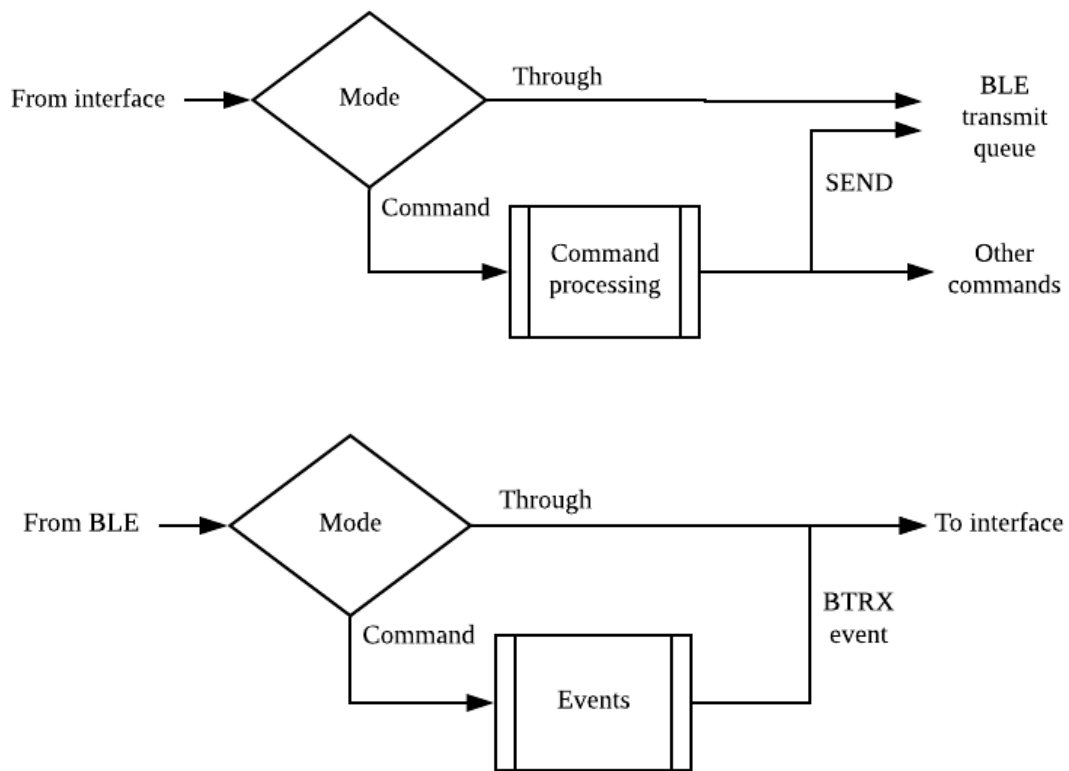


Figure 1: Data flow for command and through modes

5 Bluetooth Low Energy

5.1 Common Settings

5.1.1 Device Address

The TY's app 5.0 device contains a factory-preset randomized static address. This address is used to identify the device during advertising and scanning, except when private addressing modes are used. This address is also exchanged during bonding.

The user may change the address to one of their own choosing. The following commands can be used to set or get the current address.

TY's app 5.0 には、工場出荷状態として設定しているランダム化されたスタティックアドレスが含まれています。このアドレスは、プライベートアドレッシングモードが使用されている場合を除き、アドバタイジングおよびスキャン中にデバイスを識別するために使用されます。このアドレスは、Bonding 中に交換されます。

ユーザーは、アドレスを自分が選択したものに変更することができます。次のコマンドを使用して、現在のアドレスを設定または取得できます。

Code	Description
SBAD	Set the static address that this device will use デバイスに static address を設定
GBAD	Read the currently assigned static address 現在設定中の static address を表示

If the **SBAD** command is used with an empty parameter, the original factory address will be used. In order to conform with Bluetooth address specifications, the uppermost two bits of any static address must always be '11'. Any address set by the user will automatically be modified to meet this specification. The address can be read following a successful update to confirm the new address.

Changing the device address will make this device unrecognizable to bonded peers.

空のパラメータで **SBAD** コマンドを使用すると、工場出荷時のアドレスが使用されます。Bluetooth アドレス仕様に適合するためには、任意のスタティックアドレスの最上位 2 ビットは常に「11」にする必要があります。そのためユーザーが設定したアドレスが、この仕様を満たすように自動的に変更されます。新しいアドレスを確認するために更新が成功した後、アドレスを読み取り確認をしてください。

デバイスアドレスを変更すると、Bonding されたペアリングデバイスから認識されませんのでご注意ください。

5.1.2 Transmission Power

The radio transmission power of the TY's app 5.0 is managed by the S140 softdevice. By default, advertising and scanning are performed at 0 dBm. When a connection to another device is established, the softdevice will choose an appropriate transmission power based on each device's configuration.

The user can configure the softdevice's selected transmission power using the following commands:

TY's app 5.0 の Tx power は、S140 Softdevice によって管理されます。デフォルトでは、アドバタイジングとスキャンは 0 dBm で実行されます。別のデバイスへの接続が確立されると、Softdevice は各デバイスの設定に基づいて適切な Tx power を選択します。

次のコマンドを使用して Tx power を設定できます。

Code	Description
TXPW	Set the transmission power to use Tx power の設定
TXPR	Read the currently selected transmission power 設定中の Tx power を表示

The valid list of transmission power levels that can be selected are (dBm) [-40, -20, -16, -12, -8, -4, 0, 2, 3, 4, 5, 6, 7, 8]. A value of 'X' can also be used to allow the transmission power to be managed by the softdevice.

選択可能な Tx power レベルの有効なリストは、(dBm)[-40, -20, -16, -12, -8, -4, 0, 2, 3, 4, 5, 6, 7, 8] 。

'X'は、Softdevice が自動で選択した Tx power の値を使用します。

5.1.3 Automatic Start

The TY's app 5.0 device can be configured to begin advertising or scanning automatically based on its stored configuration. This allows the device to immediately begin advertising or scanning after the boot sequence has completed (following a power on or reset) or when a BLE connection is lost. If the device is configured with a limited advertising or scanning timeout and the timeout expires, the operation will **NOT** be restarted.

The autostart settings can be configured using the commands listed below.

TY's app 5.0 は、保存された設定に基づいて自動的にアドバタイジングやスキャンを開始するように設定できます。これにより、起動シーケンスが完了した後（電源投入後またはリセット後）、または BLE 接続が失われた後に、デバイスはすぐにアドバタイジングまたはスキャンを開始できます。TY's app 5.0 は限定されたアドバタイジングまたはスキャンタイムアウトで構成され、タイムアウトになると、自動スタートは再開しません。

自動スタート設定は、以下のコマンドを使用して設定できます。

Code	Description
SASM	Enable or disable the autostart for the currently stored configuration 自動スタートの有効化/無効化を設定
GASM	Check if autostart is enabled for this device 現在の自動スタートの有効化/無効化設定を取得

5.2 Roles

Configuration commands can be set regardless of the selected role. They will be applied when the device enters advertising (peripheral role) or scanning (central role). All commands that modify settings will be unavailable while the device is advertising, scanning or connected to another device, unless explicitly mentioned otherwise. Attempting to modify a setting in this state will return an error. All commands that read configuration values can be used in any state.

設定コマンドは、選択した **ROLE** に関係なく設定できます。デバイスがアドバタイジング（ペリフェラル）またはスキャン（セントラル）に入ったときに設定が適用されます。特に明記しない限り、設定を変更するすべてのコマンドは、デバイスがアドバタイジング中、スキャン中、または別のデバイスに接続されている間は使用できません。この状態で設定を変更しようとする、エラーが出力されます。設定値を読み取るコマンドは、どのような状態でも使用できます。

5.3 Advertising

5.3.1 Advertising Parameters

The advertising interval and timeout can be configured using the following commands:

アドバタイジングのインターバルとタイムアウトの設定は以下のコマンドから行うことができます。

Code	Description
ADS1	Set the advertising interval and the time before advertising is stopped アドバタイジングのインターバルとタイムアウトを設定
ADG1	Read the current advertising interval and timeout 設定中のアドバタイジングのインターバルとタイムアウト値を表示

When advertising using a non-connectable mode (i.e. beacons), the Bluetooth specification states that the minimum advertising interval must be $\geq 100\text{ms}$. In the event that the user selects a non-connectable mode and the configured advertising interval is $< 100\text{ms}$, the device will advertise using a 100ms interval. The stored value will not be changed. Setting a timeout of 0 will perform advertising indefinitely.

非接続モード（ビーコン）を使用してアドバタイジングを行う場合、Bluetooth 規格は、アドバタイジングのインターバルの最小が 100ms 以上でなければならないと規定されています。そのためユーザーが非接続モードを選択した状態で、設定されたアドバタイジングのインターバルが 100ms より小さい場合でも、アドバタイジングの間隔は 100ms になります。但し保存された値は変更されません。

タイムアウトを 0 に設定すると、タイムアウトが発生せずに永続的にアドバタイジングが実行されます。

EYSKJNAWB-WX

TAIYO YUDEN CO., LTD.

5.3.2 Advertising Data

Users can configure the advertising and scan response PDUs to include a number of data fragments. The length of the PDU (31 bytes) must be considered when selecting the data to include. The fragments that comprise the advertising PDUs include:

ユーザーは、多数のデータを含むようにアドバタイジングおよび Scan Response PDU を構成することができます。追加するデータを選択するときは、PDU の長さ（31 バイト）を考慮する必要があります。アドバタイジング PDU の構成内容は以下となります。

Type	Length	Description
AD type flags	3 bytes	The advertising flags for this device アドバタイジングフラグ
Manufacturer data	2 bytes + data length	User supplied custom data Manufacturer データ
Service UUID	18 bytes	The Taiyo Yuden 128 bit service UUID
Device name	2 bytes + name length	The current device name デバイス名

- AD type flags are always included in the advertising PDU and not included in the scan response PDU. Therefore the advertising PDU maximum number of bytes is 28.
AD Type フラグは常にアドバタイジング PDU に含まれ、Scan Response PDU には含まれません。したがって、アドバタイジング PDU の最大バイト数は 28 です。
- If the device name is included and the complete name does not fit into the PDU, the name will be truncated. There must be a minimum of 3 bytes available to include the device name.
指定したデバイス名が PDU にすべて収まらない場合、収まらなかった分の名前は切り捨てられます。デバイス名を PDU 内に収めるには、最低 3 バイトの空きがなければなりません。
- If the device name is changed, the name stored in the advertising data will be updated. Note that setting a longer name may result in truncation.
デバイス名を変更すると、アドバタイジングデータに保存されている名前が更新されます。長い名前を設定すると、切り捨てられてしまうため注意してください。
- If the total data requested does not fit inside the PDU an error will be returned.
要求されたデータの合計が PDU 内に収まらない場合、エラーが返されます。

The commands available for modifying advertising and scan response data include:

Advertising および Response データの変更には、次のものがあります:

Code	Description
ADS3	Set the data to be displayed in the advertising PDU アドバタイジング PDU を設定
ADG3	Read the current advertising PDU 設定中のアドバタイジング PDU を表示
ADS4	Set the data to be displayed in the scan response PDU Scan Response PDU を設定
ADG4	Read the current scan response PDU 設定中の Scan Response PDU を表示

TAIYO YUDEN CO., LTD.

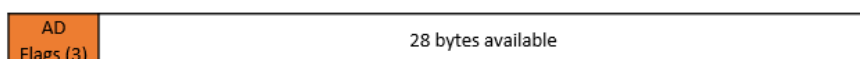
Setting an empty field for the user data will exclude user data from the PDU (refer to the 「**Command API**」 for details on the input parameters) . Note that data stored in the scan response PDU will only be available to scanners with active scanning enabled and a scannable advertising mode is selected. Reading the PDU will return the entire PDU as it will be seen by scanning devices.

ユーザーデータ用に空のフィールドを設定すると、ユーザーデータが PDU から除外されます（入力パラメータの詳細については、「**Command API**」を参照してください）。Scan Response PDU に格納されたデータは、アクティブスキャンが有効になっているスキャナでのみ使用可能で、スキャン可能なアドバタイジングモードが選択されていることに注意してください。PDU を読み取ると、スキャンデバイスに表示されるように PDU 全体が返されます。

Advertising PDU Examples

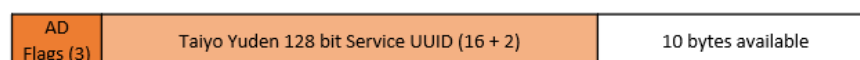
Initially the advertising PDU has 28 bytes available (31 for the scan response PDU).

初期状態では、アドバタイジング PDU は 28 バイト分利用可能です。（Scan Response PDU に対して 31 バイト）



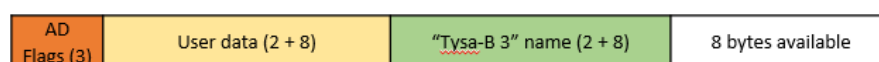
Including the Taiyo Yuden service UUID requires an extra 18 bytes.

太陽誘電のサービス UUID を含めるには 18 バイトが必要です。



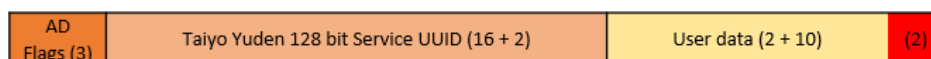
If the user wishes to use eight bytes of custom data and include the device name (e.g. 'TY's app 5') then this will consume 10 + 10 bytes.

8 バイトのカスタムデータを使用してデバイス名（「Tysa-B 5」など）を含める場合は、10 + 10 バイトを消費します。



If the user attempts to include both the service UUID and 10 bytes of custom data an error will be returned as this requires two more bytes than are available. This configuration would fit inside the scan response PDU however as there are three extra bytes available due to the AD flags not being included.

サービス UUID とカスタムデータの両方を含めると、PDU で使用可能なバイト数より 2 バイト分多くなってしまうため、エラーが返されます。この構成は、AD フラグが含まれていないために利用可能な 3 つの余分なバイトがあるので、Scan Response PDU の内部に収まる。



5.3.3 Beacon Data

When the device is configured in beacon mode, it will advertise using a PDU format that adheres to the iBeacon specification. In this mode, the user can select the proximity UUID, major, minor and measured power fields that will be included in the PDU. The company identifier is fixed to Apple's ID (0x004C) for compatibility with iOS beacon tracking features.

デバイスがビーコンモードで設定されている場合、デバイスは iBeacon 仕様に準拠した PDU フォーマットを使用してアドバタイズします。このモードでは、ユーザーは、PDU に含まれる proximity UUID、メジャー、マイナー、および測定パワーフィールドを選択できます。iOS ビーコントラッキング機能との互換性のために、企業 ID は Apple の ID (0x004C) に固定されています。

The commands available for modifying advertising and scan response data include:
アドバタイジングおよび応答データの変更に使用できるコマンドは次のとおりです:

Code	Description
ADS5	Configure the UUID, major, minor and power values to use in the beacon PDU ビーコン PDU の設定
ADG5	Read the current beacon PDU 設定中のビーコン PDU を表示

Reading the beacon PDU will return the entire PDU as it will be seen by scanning devices.
ビーコン PDU を読み取ると、スキャンデバイスに表示されつつ PDU 全体が返されます。

5.3.4 Advertising Modes

The TY's app 5.0 has four advertising modes available. The advertising data that will be used will depend on the mode selected.

TY's app 5.0 には、4 つのアドバタイジングモードがあります。使用するアドバタイジングデータは、選択したモードによって異なります。

Table 5: Advertising modes

Mode	Type	Extended	Advertising Set
1	Connectable, scannable	No	Advertising + scanning
2	Non-connectable, non-scannable	No	Beacon
3	Connectable, non-scannable	Yes	Advertising
4	Non-connectable, non-scannable	Yes	Beacon

Extended modes are able to utilise the Bluetooth 5 PHY selection features for long range or high rate transmission. Refer to section 5.3.5 PHY Selection for details on configuring the PHY. Devices that do not support Bluetooth 5 extended advertising will be unable to receive advertising data or send scan/connection requests to the TY's app 5.0 device when extended advertising modes are used.

Extended モードは、長距離伝送または high rate 伝送が利用可能な Bluetooth 5 PHY selection 機能を利用することができます。PHY の設定の詳細については、5.3.5 章の「PHY Selection」を参照してください。Bluetooth 5 extended mode をサポートしていないデバイスは、extended アドバタイジングモードを利用している TY's app 5.0 に対して、アドバタイジングデータの受信、スキャン/接続要求の送信を行うことができません。

5.3.5 PHY Selection

The TY's app 5.0 supports the use of three PHY types, shown in Table 6: Supported PHY types. When extended advertising modes are used, the user can select which PHYs are used for primary and secondary advertising channels. When non-extended advertising modes are used the PHY values are not used.

TY's app 5.0 は、表 6 に示す 3 つの PHY タイプの使用をサポートしています。Extended アドバタイジングモードが使用される場合、ユーザーはプライマリおよびセカンダリのアドバタイジングチャンネルに使用される PHY を選択できます。Non-Extended アドバタイジングモードが使用される場合、PHY 値は使用されません。

Table 6: Supported PHY types

PHY	Type	Description
0	1Mbps	Standard, legacy
1	Coded	Long range
2	2Mbps	High rate

The commands used for setting the PHYs are shown below:

PHY の設定を行うコマンドの使用方法については以下の通りです:

Code	Description
ADS8	Set the primary and secondary PHY to use in extended modes Extended mode で使用する PHY の設定
ADG8	Read the configured PHYs 設定中の PHY を表示

When using Coded or 2Mbps PHYs, only devices that support these modes will receive advertising data. Connections established using extended modes will always use the secondary PHY for the initial configuration. PHY update requests are ignored.

Coded、2Mbps PHY を使用する場合、これらのモードをサポートするデバイスのみアドバタイジングデータを受信可能です。Extended モードを使用した接続は初期設定では常に secondary PHY が利用されます。また、このとき PHY の更新要求を受けたとしても要求は無効になります。

5.3.6 Starting and Stopping Advertising

Advertising can be started and stopped using the following commands:

アドバタイジングの開始と停止に関するコマンドは以下の通りです:

Code	Description
ADV1	Start advertising with the current configuration Advertising を開始
ADV0	Stop advertising Advertising を停止

While advertising is active, most configuration changes are not allowed. To change configuration settings advertising should first be stopped. If a timeout is specified, advertising will automatically stop when the time limit expires and an advertising timeout (ADVT) event will be

generated. If autostart is enabled, advertising will not restart if the user stops advertising or the timeout expires.

アドバタイジングが動作している間、設定変更を行うことができません。設定変更を行うには、アドバタイジングを停止する必要があります。タイムアウトが設定されている場合、タイムアウトが発生すると自動的にアドバタイジングが停止し、アドバタイジングタイムアウト (ADVT) イベントが出力されます。自動起動が有効になっていても、ユーザーがアドバタイジングを停止するかタイムアウトによってアドバタイジングが停止すると、アドバタイジングは自動で再開始しません。

5.4 Scanning

5.4.1 Scan Parameters

The scan window, interval and duration can be configured using the following commands:

スキャンウィンドウ、インターバル、スキャン時間の設定は以下のコマンドを使用して行うことができます。

Code	Description
SCS1	Set scanning parameters スキャンパラメータの設定
SCG1	Read configured scanning parameters 設定中のスキャンパラメータを表示
SCS2	Enable or disable active scanning アクティブスキャンの有効化/無効化の設定
SCG2	Get the status of active scanning 設定中のアクティブスキャンの状態を表示

The TY's app 5.0 device supports scanning on both 1Mbps and Coded (long range) PHYs, therefore it is required that the scan interval is a minimum of (2 * window). Setting a timeout of 0 will perform scanning indefinitely.

If active scanning is enabled, the TY's app 5.0 will generate scan requests to advertisers that are scannable.

TY's app 5.0 は 1Mbps と Coded(長距離伝送)の両方をサポートしているため、スキャンインターバルを最小 (2 * スキャンウィンドウの値) に設定する必要があります。タイムアウト時間を 0 に設定すると、タイムアウトが発生せずに永続的にスキャンが実行されます。

5.4.2 Scanning

Scanning can be controlled by the user with the following commands:

スキャンの開始と停止に関するコマンドの使用方法は以下の通りです:

Code	Description
SCN1	Start scanning with the current configuration スキャンの開始
SCN0	Stop scanning スキャンの停止

TY's app 5.0 devices will always enable scanning of legacy and extended advertising PDUs. Both 1Mbps and Coded PHYs are used for scanning primary advertising channels. The TY's app 5.0 supports scanning secondary advertising channels using 1Mbps, 2Mbps and Coded PHYs.

Each time scanning is initiated, the TY's app 5.0 device tracks addresses it receives advertising PDUs from. An advertising report event (ADV R) is generated each time an advertising PDU is received, up to a maximum of five events per address. A maximum of 30 unique addresses can be tracked. After this limit is reached PDUs from untracked addresses will be ignored and no events for that address will be generated. The list of tracked addresses each cleared each time scanning is started.

When scan filters are enabled (see section 5.4.4 Filtering), devices that do not match the filter requirements count towards the number of addresses that are tracked. No events will be generated for these devices. When whitelisting is used, devices not present on the whitelist will not count towards the number of tracked addresses.

TY's app 5.0 は、常にレガシーおよび extended アドバタイジング PDU のスキャンを可能にします。プライマリアドバタイジングチャンネルのスキャンには、1Mbps と Coded PHY の両方が使用可能です。また、1Mbps、2Mbps、および Coded PHY を使用したセカンダリアドバタイジングチャンネルのスキャンをサポートしています。

スキャンが開始されるたびに、TY's app 5.0 は、アドバタイジング PDU を受信したアドレスをトラッキングします。アドバタイジング PDU が受信されるたびに、アドレスごとに最大 5 つのイベントが、アドバタイジングレポートイベント (ADV R) として出力されます。最大 30 個のユニークアドレスをトラッキングできます。この制限に達すると、トラッキングを行っていないアドレスからの PDU は無視され、そのアドレスのイベントは出力されません。トラッキングを行っていたアドレスのリストはスキャンが開始されるたびにクリアされます。

スキャンフィルタを有効にすると (5.4.4 章「Filtering」を参照)、設定したフィルタ内容と一致しないデバイスは、トラッキングアドレスの数にカウントされますが、これらのデバイスのイベントは出力されません。Whitelist を使用すると、Whitelist に存在しないデバイスはトラッキングを行ったアドレス数にカウントされません。

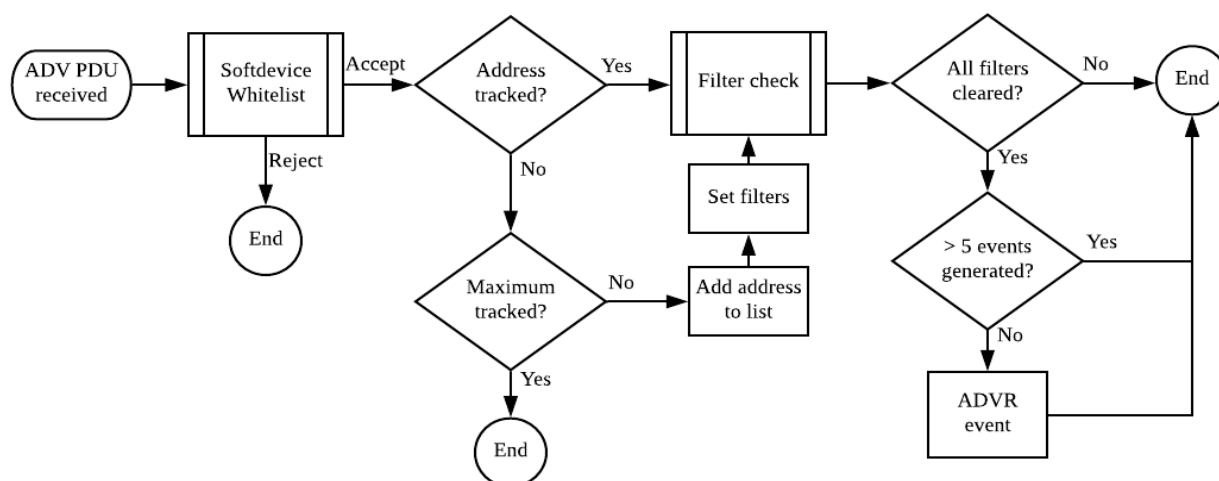


Figure 2: Receiving advertising PDUs during scanning

5.4.3 Connecting

Users can initiate and cancel connections to peripheral devices using the following commands:
ユーザーは、次のコマンドを使用して、ペリフェラルデバイスへの接続を開始/キャンセルすることができます:

Code	Description
MCON	Initiate a connection to the specified address 指定したアドレスのデバイスと接続を開始
CCON	Cancel a pending connection 接続をキャンセル

The TY's app 5.0 device will use the scan parameters set in section 5.4.1 Scan Parameters when initiating a connection. If a connection cannot be established before the timeout expires, a SCNT timeout event will be generated. If the remote peripheral device is advertising using extended PDUs, connections will be established using the peripheral's secondary PHY.

If the remote peripheral is advertising using a private address, the TY's app 5.0 must establish the connection using its current address. If the peripheral has rotated to a new address and connection is attempted using an old address, the connection will fail. The current advertising address can be discovered by advertising reports generated during scanning.

TY's app 5.0 は、接続を開始するときにセクション 5.4.1 章の「Scan Parameters」で設定されたスキャンパラメータを使用します。タイムアウトするまでに接続を確立できない場合は、SCNT タイムアウトイベントが出力されます。他のペリフェラルデバイスが extended PDU を使用してアドバタイジングを行っている場合、ペリフェラル機器のセカンダリ PHY を使用して接続が確立されます。他のペリフェラル機器がプライベートアドレスを使用してアドバタイジングを行っている場合、TY's app 5.0 は現在のアドレスを使用して接続を確立する必要があります。ペリフェラル機器が新しいアドレスに切り替わり、古いアドレスを使用して接続しようとする、接続は失敗します。現在設定しているアドバタイジングアドレスは、スキャン中に出力されたアドバタイジングレポートから発見することができます。

5.4.4 Filtering

Scanning in environments with many active advertising devices can result in a large number of advertising reports being generated. The TY's app offers two levels of optional device filtering to alleviate this, whitelists and user-configurable name and service filters. For information about whitelisting, refer to section 5.7.2 Whitelisting.

The name and service filters can be enabled to isolate devices whose advertising data includes their device name or Taiyo Yuden 128-bit service UUID. Only devices that match the enabled filters will generate advertising report events.

アドバタイジングを行っているデバイスが多数存在する環境でスキャンすると、多数のアドバタイジングレポートが出力される可能性があります。TY's app 5.0 はこの事象を緩和するために Whitelist の他にデバイス名フィルタとサービス UUID フィルタの二つのレベルのデバイスフィルタオプション機能があります。Whitelist については、5.7.2 章「Whitelisting」を参照してください。

デバイス名フィルタとサービス UUID フィルタを有効にすると、アドバタイジングデータに指定したデバイス名または太陽誘電の 128 ビットサービス UUID が含まれているデバイスのみを検出し、有効なフィルタに一致するデバイスのみがアドバタイジングレポートイベントに出力されます。

Code	Description
SCS3	Set the name to use for scan filtering. Set to empty to clear. デバイス名フィルタの設定。空のパラメータを設定するとフィルタ機能を無効化
SCG3	Get the name currently used for scan filtering. 設定中のデバイス名フィルタを表示
SCS4	Enable/disable the service UUID filter. サービス UUID フィルタの有効化/無効化
SCG4	Get the status of the service UUID filter 設定中のサービス UUID フィルタの状態を表示

The type of name (SHORT_LOCAL or COMPLETE_LOCAL) is not considered, only that the length and characters match what the user has specified. If the advertising device is using an incomplete name, the filter must specify the incomplete name instead of the complete name.

Note that devices that do not pass the filtering checks will still count towards the maximum number of devices that can be detected during a single scan period.

名前のタイプ (SHORT_LOCAL または COMPLETE_LOCAL) は考慮されず、ユーザーが指定した長さおよび文字のみと一致します。アドバタイジングデバイスのデバイス名が欠けている状態で使用している場合、フィルタも完全な名前の代わりに欠けた状態のデバイス名を指定する必要があります。フィルタリングチェックに通らないデバイスも、1回のスキャン中に検出できるデバイスの最大数にカウントされます。

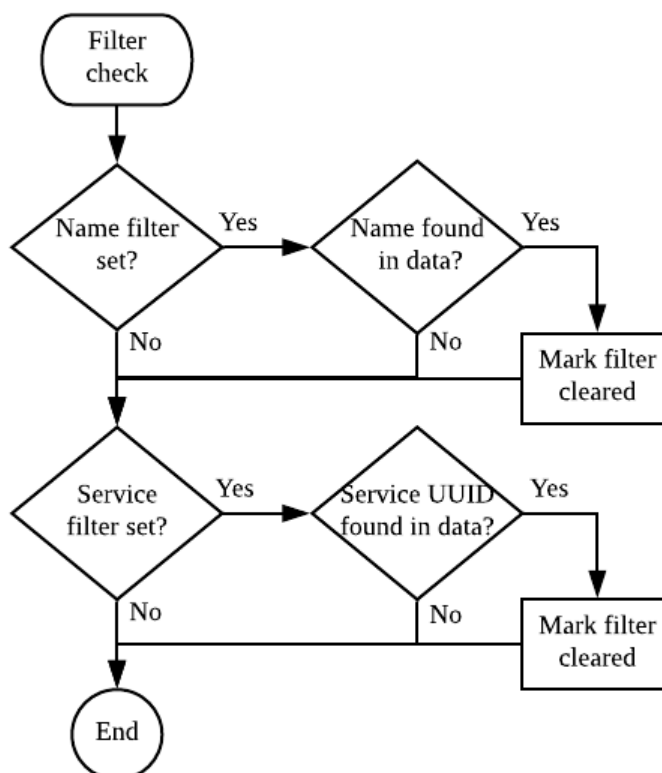


Figure 3: User-configurable scan filters

5.5 Connections

Upon connection being established with a peer device. The TY's app 5.0 will perform a sequence of events based on its current role.

ペアリングデバイスとの接続が確立されると、TY's app 5.0 は、現在の ROLE に基づいて一連のイベントを実行します。

5.5.1 Peripheral

In the peripheral role, the TY's app 5.0 device will send a connection parameter update shortly after the connection is established. If the **Reject Invalid Conn Parameters** (ADS7) setting is enabled, the TY's app 5.0 device will terminate the connection if the remote central fails to update the connection parameters to be within the configured range.

When the security level (see section 5.6.15.6 [Security](#)) is higher than **Level 1**, the TY's app 5.0 device will respond to read and write requests on characteristics with a **AUTH_REQ** status code. This informs the central device that pairing is required to meet the minimum security requirements before the characteristics can be accessed.

When notifications on the **Read/Notify** characteristic are enabled, the TY's app 5.0 device will enter **Command** or **Through** mode depending on the state of the **mode select** pin (P0.30). **Command** mode will be used whenever notifications are disabled.

ペリフェラルの時、TY's app 5.0 は接続が確立された後、接続パラメータの更新を送ります。Reject Invalid Conn Parameters (ADS7) の設定が有効になっている場合、外部のセントラル機器が設定された範囲内に接続パラメータを更新できないと、TY's app 5.0 デバイスは接続を終了します。セキュリティレベル (5.6 章「Security」参照) がレベル 1 よりも高い場合、TY's app 5.0 デバイスは AUTH_REQ ステータスコードを持つ characteristic に対する読み取りおよび書き込み要求に応答します。この動作は、characteristics がアクセスする前に、ペアリングしたセントラルデバイスが最小レベルのセキュリティ要求に合致したことを通知します。

Read / Notify characteristic の notifications が有効になっている場合、TY's app 5.0 はモード選択 Pin(P0.30)の状態に応じてコマンドモードまたはスルーモードになります。スルーモードが選択されている状態でも notifications が無効になるたびにコマンドモードになります。

5.5.2 Central

Upon connection to a remote peripheral, the TY's app 5.0 will check its bonding records to determine if encryption keys are available. If a bonding record for the peer device is found, the central will immediately encrypt the link. The TY's app 5.0 will then perform service and characteristic discovery on the peer. Upon completion, the central will confirm that the Taiyo Yuden service and characteristics are present. The TY's app 5.0 device will disconnect and generate a **Service Discovery: Incompatible** (SDSC:NC) event. If all service and characteristics are found, a **Service Discovery: Complete** (SDSC:OK) event is generated and the TY's app 5.0 will attempt to enable notifications on the **Read/Notify** characteristic (UUID 0003).

ペリフェラルに接続すると、TY's app 5.0 は Bonding 情報をチェックして、暗号化キーが使用可能かどうかを判断します。ペアリングデバイスの Bonding 情報が見つかり、セントラルはすぐにそのリンクを暗号化します。TY's app 5.0 はペアリング上でサービスと characteristics の特定を行います。完了すると、セントラルは太陽誘電のサービスと characteristics が存在することを確認します。TY's app 5.0 は太陽誘電のサービスと characteristics が存在しない場合、切断後に **Service Discovery : Incompatible** (SDSC : NC) イベントを出力します。すべてのサービスと characteristics が見つかり、**Service Discovery : Complete** (SDSC : OK) イベントが出力され、TY's app 5.0 は **Read / Notify characteristics** (UUID 0003) の通知を有効にしようとします。

If the peripheral responds with **AUTH_REQ**, the TY's app 5.0 will initiate pairing and optional bonding based on the stored configuration. If the pairing is not successful the link will be terminated and a **Pairing Fail** (PAIR:FAIL) event will be generated. If successful, notifications will then be enabled.

ペリフェラルが **AUTH_REQ** で応答すると、TY's app 5.0 は保存された設定に基づいてペアリングとオプションの Bonding を開始します。ペアリングが成功しなかった場合、リンクは終了し、**Pairing Fail** (PAIR : FAIL) イベントが出力されます。成功すると、notifications が有効になります。

Once notifications are enabled, the TY's app 5.0 device will enter **Command** or **Through** mode depending on the state of the **mode select** pin (P0.30). **Command** mode will be used whenever notifications are disabled.

notifications が有効になると TY's app 5.0 デバイスはモード選択 Pin(P0.30)の状態に応じてコマンドモードまたはスルーモードになります。notifications が無効になるとコマンドモードになります。

EYSKJNAWB-WX

TAIYO YUDEN CO., LTD.

5.5.3 Commands and Events

The following commands are available during connection when the TY's app 5.0 is in command mode.

TY's app 5.0 がコマンドモードの時、デバイスと接続中以下のコマンドが利用できます。

Code	Description
SEND	Send up to 20 bytes of data to the connected peer 接続したペアリングデバイスにデータを送信
DCON	Terminate an established connection 接続状態から切断

The following events can be generated while the TY's app 5.0 is connected and notifications are enabled on the peripheral device.

TY's app 5.0 が接続状態でペリフェラルの notifications が有効である間、以下のイベントが出力されます。

Code	Description
MODE	Event notifying that the mode has changed (C=Command, T=Through) モード変更のイベント表示
BTTX	Event notifying that a packet sent with SEND has been transmitted 送信完了のイベント表示
BTRX	Event notifying that data was received from the peer device. The number of bytes will be provided along with the data 受信後のイベント表示

5.5.4 Service

Please use the following service when connecting TY's app 5.0 to other devices.

TY's app 5.0 と他のデバイスを接続する場合、下記サービスをご使用ください。

Primary Service

TAIYO YUDEN Original Service UUID :

0x442F1570-8A00-9A28-CBE1-E1D4212D53EB

Characteristic

TAIYO YUDEN Original Characteristic UUID :

0x442F1571-8A00-9A28-CBE1-E1D4212D53EB (Read, Notification)

TAIYO YUDEN Original Characteristic UUID :

0x442F1572-8A00-9A28-CBE1-E1D4212D53EB (Write no response)

TAIYO YUDEN CO., LTD.

5.6 Security

5.6.1 Security Levels

There are four security levels that can be configured, corresponding to the four levels of permissions that are available in security mode 1 of the GAP layer. The restrictions of each level applies to the read and write permissions of the characteristics attached to the Taiyo Yuden Service, including the CCCD descriptor for enabling notifications. The security level therefore only applies to the device when its role is configured as a peripheral.

Note: only security mode 1 is used (levels 1-4). Security mode 2 is not supported.

設定可能なセキュリティレベルは4種類あり、GAPレイヤのセキュリティモード1で使用可能な4つのレベルのアクセス許可に対応しています。各レベルの制限は、notificationsを有効にするためのCCCD descriptorを含む太陽誘電サービスに付与されているcharacteristicsのReadおよびWriteの許可に適用されます。したがって、セキュリティレベルは、デバイスの役割がペリフェラル機器として設定されている場合にのみデバイスに適用されます。

Note: セキュリティモード1のみが使用されます(レベル1~4)。セキュリティモード2はサポートしていません。

Table 7: Security levels

Level	Requirements	Description
1	None	No security features are enabled セキュリティ設定を無効
2	Encryption	Link requires pairing ペアリング要求
3	Encryption + MITM	Link requires pairing and authentication ペアリング+暗号化要求
4	LESC MITM encryption	Link requires LESE pairing and authentication LESEを用いたペアリング+暗号化要求

Security levels that require MITM authentication will require an IO capability that is not IOCAP_NONE. Refer to section 5.6.2 for details. Attempting to set a security level when insufficient IO capabilities are configured will result in an error.

MITM認証を必要とするセキュリティレベルには、IOCAP_NONEではないIO機能が必要です。詳細は、5.6.2章を参照してください。不十分なIO機能が設定されている場合にセキュリティレベルを設定しようとすると、エラーが発生します。

Code	Description
SSEC	Set the desired security level セキュリティレベルの設定
GSEC	Check the current security level 設定中セキュリティレベルの表示

Changing the security level requires configuration data to be saved to flash using the SAVE command followed by a reset once complete (see [Figure 4](#)). The new security permissions will be applied during boot.

セキュリティレベルを変更するには、SAVE コマンドで設定データをフラッシュに保存し、リセットを行う必要があります。(図 4 を参照)。起動時に新しいセキュリティ権限が適用されます。

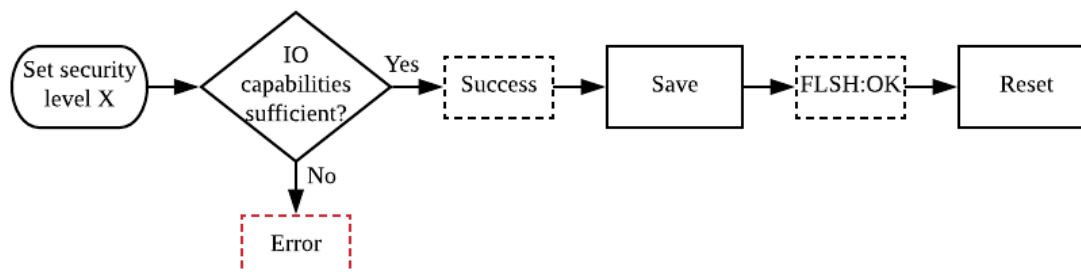


Figure 4: Configuring the security level

When the security level is raised, devices that have previously exchanged bonding information may no longer meet the minimum requirements. In this case, the bonding information should be erased as re-pairing is not supported.

セキュリティレベルが上がると、過去に Bonding 情報を交換したデバイスは、最低限のセキュリティ要件を満たさなくなる可能性があります。この場合、再ペアリングがサポートされていないため、Bonding 情報を消去する必要があります。

5.6.2 Setting IO Capabilities and Out-of-Band Pairing

As a requirement of MITM authentication, some form of input or output is required to allow display or entry of passkeys/confirmation. The available values that can be set to specify the type of IO capabilities available are listed in Table 8: IO Capabilities1. Users can also specify whether they wish to use Out-of-Band (OOB) methods for pairing.

MITM 認証の要求として、パスキーの入力または表示/確認を可能にするために、入力装置または出力装置が必要になります。利用可能な IO 機能のタイプを指定するために使用可能な値を表 8 に示します。ユーザーは、Out-of-Band (OOB) 方式を使用してペアリングを行うかどうかを指定することもできます。

Table 8: IO Capabilities

Value	Type	Description
0	IOCAPS_NONE	No input or output capabilities are available IO capabilities を利用しない
1	IOCAPS_DISPLAY	A display is available for output Passkey entry で入力する Passkey を表示
2	IOCAPS_DISPLAY_YESNO	A display is available for output. An input method for providing a yes or no response is available Numeric comparison の認証コードを表示
3	IOCAPS_KEYBOARD	A character input method is available Passkey entry の入力待機
4	IOCAPS_KEYBOARD_DISPLAY	A display is available for output. A character input method is available. Passkey entry で入力する Passkey を表示と入力を待機します

If you want to use the Out-of-Band (OOB) method for pairing, you can set it from the following command.

OOB 方式を使用してペアリングを行う場合、以下のコマンドから設定ができます。

Code	Description
SOOB	Enable or disable out-of-band use during pairing OOB 接続の有効化/無効化
GOOB	Check the state of out-of-band pairing 設定中の OOB 接続状態の表示

If the security level is set to a level that requires MITM authentication, attempting to set the IO capabilities to IOCAPS_NONE will result in an error. The user must lower the security level to one that does not require MITM authentication.

セキュリティレベルが MITM 認証を必要とするレベルに設定されている場合、IO capabilities を IOCAPS_NONE に設定しようとするエラーになります。ユーザーは、セキュリティレベルを MITM 認証が必要としないレベルに下げする必要があります。

The commands listed below can be used to set the capabilities, or get the current capabilities.

セキュリティレベル、IO capabilities の設定に関するコマンドは以下の通りです。

Code	Description
SIOC	Set the input and output capabilities of the host device IO capabilities の設定
GIOC	Check the selected capabilities of the host device 設定中の IO capabilities を表示

5.6.3 Pairing

In order to provide a level of security, BLE links can be encrypted through a process of key exchange and optional authentication, referred to as pairing. At the beginning of the pairing process, each device exchanges the type of security features it has available. If both devices accept the parameters given, the initiator (central) will select the pairing method that will be used to secure the link. If Man-in-the-middle protection is not required, the pairing method will typically default to Just Works. No user interaction is required for Just Works pairing, the user will be notified of the result once the pairing is completed.

セキュリティレベルを提供するために、BLE リンクは、鍵交換のプロセスとオプションの認証（ペアリングと呼ばれる）によって暗号化できます。ペアリングプロセスの開始時に、各デバイスは使用可能なセキュリティ機能のタイプを交換します。両方のデバイスが指定されたパラメータを受け入れた場合、イニシエータ（セントラル）はリンクを保護するために使用されるペアリング方法を選択します。MITM に対する保護が必要でない場合、ペアリング方法はデフォルトである **Just Works** になります。**Just Works** のペアリングでは、ユーザーとのやりとりは必要ありません。ペアリングが完了すると、ユーザーに結果が通知されます。

EYSKJNAWB-WX

TAIYO YUDEN CO., LTD.

Table 9: Pairing methods

Pairing Method	MITM	LESC	Security level
Just Works (legacy)	No	No	2
Passkey input	Yes	No	3
Out-of-band (legacy)	Yes	No	3
Just Works (LESC)	No	Yes	2
Numeric comparison	Yes	Yes	4
Passkey input (LESC)	Yes	Yes	4
Out-of-band (LESC)	Yes	Yes	4

If MITM protection is used during pairing, the application will generate events depending on the method selected. If Out-of-Band data is enabled by either the Host or Peer device during pairing, this method will be selected in all cases. The event will provide any parameters required by the user. The remote peer will also need to complete the associated action. Where input is required, the event code generated will match the command that the user should enter. Entering any of the pairing commands when not requested will result in an error.

ペアリング中に MITM 保護を使用すると、アプリケーションは選択された方法に応じてイベントを出力します。ペアリング中にホストデバイスまたはペアリングデバイスのいずれかで OOB データが有効になっている場合、この方法はすべての場合に選択されます。イベントは、ユーザーが必要とするパラメータを通知します。リモートピアは関連するアクションも完了する必要があります。入力が必要な場合、生成されるイベントコードは、ユーザーが入力するコマンドと一致します。要求されていないときにペアリングコマンドを入力すると、エラーが発生します。

Table 10: Pairing events

Event code	Host action	Peer action
PSKD	Display the provided 6 digit passkey 6桁の passkey を表示	Input the 6 digit passkey displayed by the host 表示された 6桁の passkey を入力
PSKC	Confirm the 6 digit passkey matches on the peer device ペアリングデバイスに表示された 6桁の passkey と合致しているか確認	Confirm the 6 digit passkey matches on the host device ペアリングデバイスに表示された 6桁の passkey と合致しているか確認
PSKI	Input the 6 digit passkey displayed by the peer 表示された 6桁の passkey を入力	Display a 6 digit passkey 6桁の passkey を表示
OOBD	Send the provided random/confirm values to the peer device through non-BLE interface OOB 接続の random/confirm values を送信	Send the provided random/confirm values to the host device through non-BLE interface OOB 接続の random/confirm values を送信
PAIR	Pairing has concluded. The parameter supplied with this event will confirm the success (OK) or failure (FAIL) of the pairing. ペアリングのイベント表示。成功時は OK, 失敗時は FAIL を表示	

TAIYO YUDEN CO., LTD.

Refer to the 「**Command API**」for details about these events, parameters and associated commands that are required to successfully complete the pairing.

ペアリングを正常に完了するために必要なこれらのイベント、パラメータ、および関連するコマンドの詳細については、「**Command API**」を参照してください。

Pairing may fail under a number of situations. TY's app devices configured as peripherals will reject pairing requests if:

ペアリングは、多くの状況で失敗する可能性があります。ペリフェラルとして設定された TY's app デバイスは、次の場合にペアリング要求を拒否します

- The initiator does not specify parameters that meet the minimum required level of security (e.g. no MITM where authentication is required, no LESC where LESC is required).
イニシエータは、必要最低限のセキュリティレベル（例：MITM 認証なし、LESC の要求が行われているが LESC の設定がない）を満たすパラメータを指定しない
- A bonded peer attempts to re-pair a second time.
Bonding が行われたデバイスで再度ペアリングを行う場合
- The initiator requests OOB pairing but it is not enabled on this device.
イニシエータから OOB を要求されているが、デバイス側は OOB を有効にしていない場合

TY's app devices configured as centrals that receive a rejection status in response to a pairing request will generate an event notifying the user of the failure and disconnect from the peer device.

ペアリング要求に応答するための rejection status を受信する設定を行った TY's app 5.0 は、ユーザーにペアリングデバイスから送られてくるペアリングの失敗と切断情報に関するイベントを出力して通知します。

EYSKJNAWB-WX

TAIYO YUDEN CO., LTD.

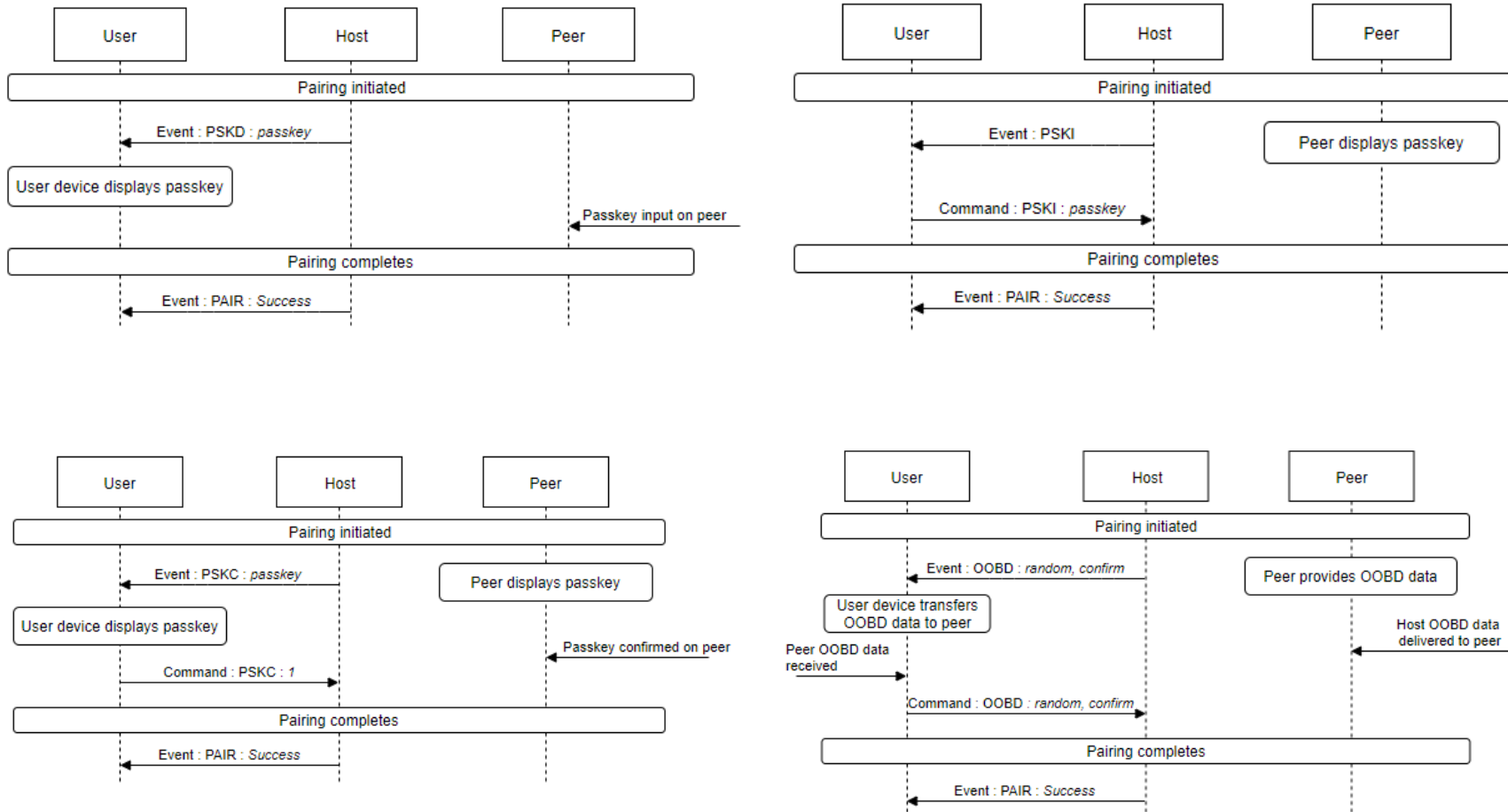


Figure 5 (Top) Passkey display, Passkey Input (Bottom) Numeric comparison, Out-of-band data

5.6.4 Bonding

Bonding is an extra stage after pairing where the two devices exchange Long-Term Keys (LTK). Devices that are bonded are typically not required to perform the pairing process again, except in cases where security levels change. The TY's app device will provide its Identity Resolving Key (IRK) and Identity Address (BLE MAC address) to the peer, as well as keys necessary for encrypting future connections.

ボンディングは、2つのデバイスが Long-Term Key (LTK) を交換するペアリング後の追加処理です。ボンディングされたデバイスは、セキュリティレベルが変更される場合を除いて、再接続時にペアリングプロセスが実行されません。TY's app 5.0 は、次の接続を暗号化するために必要なキーと同様に、Identity Resolving Key (IRK) と Identity Address (BLE MAC address) をペアリングデバイスに提供します。

Table 11: Bonding commands

Code	Command
SBND	Set bonding enabled Bonding の設定
GBND	Get bonding enabled Bonding 設定を表示
CBND	Get the number of currently bonded peers Bonding を行ったデバイス数を表示
LBND	Get the addresses of the currently bonded peers Bonding を行ったデバイスのアドレス一覧を表示
DBND	Delete all bonding information すべての Bonding 情報を削除

Bonding can be enabled or disabled by the user with the commands shown in Table 11: Bonding commands⁴. When disabled, all bonding requests will be rejected (pairing will still be performed). When enabled, bonding will be performed **IF** both devices request it and the pairing process is successful. In the event of bonding information being exchanged, the peer information will be written to flash memory and an event will be generated to the user signalling that a bond was performed. The event will also provide the total number of peers that have bonding data stored in flash memory. The TY's app device is configured to store bonding information for up to eight peers.

Bonding は、表 11 に示すコマンドを使用して、ユーザーが有効または無効に設定することができます。無効にすると、すべての Bonding リクエストは拒否されます (ペアリングは通常通り実行されます)。有効にすると、両方のデバイスが Bonding を要求し、ペアリングプロセスが成功した場

合に Bonding が実行されます。Bonding 情報が交換される場合、ペアリング情報はフラッシュメモリに書き込まれ、ユーザーに Bonding が行われたことを通知するイベントが出力されます。このイベントは、フラッシュメモリに格納されている Bonding データを持つペアリングデバイスの合計数も示します。TY's app 5.0 は、最大 8 つのペアリングデバイスの Bonding 情報を保存することができます。

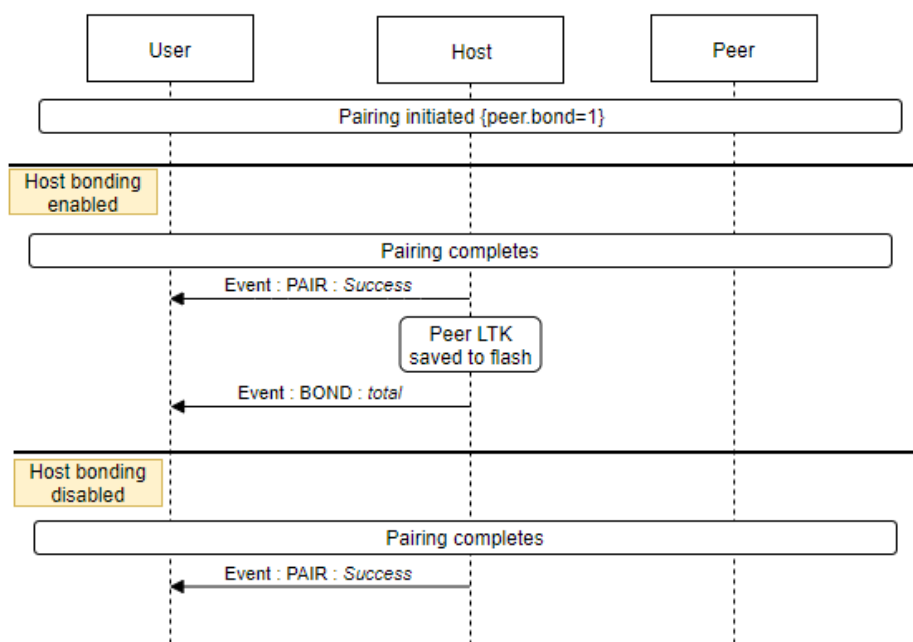


Figure 6: Bonding after successful pairing

If a TY's app device configured in the central role connects to a previously bonded device, the stored peer data will be used to automatically encrypt the link immediately upon connection. If the encryption key is not valid, the link will be terminated with a MIC_FAILURE status.

セントラルに設定された TY's app 5.0 が Bonding されたデバイスに接続している場合、保存されたペアリングデータを使用して、接続直後に自動的にリンクを暗号化します。暗号化キーが有効でない場合、リンクは MIC_FAILURE ステータスで終了します。

It may be necessary to delete existing bonding data. Situations include a previously bonded device is no longer using the Identity address or IRK provided during bonding, or to allow a new device to bond when the maximum number of bonds has been reached.

Deleting bonding information will remove data for **ALL** bonded devices and reset the number of available slots to maximum.

既存の Bonding データを削除する必要がある場合があります。削除する必要がある状況は、以前に Bonding されたデバイスで Bonding 中に提供された ID アドレスまたは IRK を使用しなくなった場合、または Bonding できる最大数に達しているときに新しいデバイスで Bonding を実行しようとする場合などが挙げられます。

Bonding 情報を削除すると、Bonding されたすべてのデバイスのデータが削除され、使用可能なスロットの数が最大数となるようにリセットされます。

5.7 Privacy

5.7.1 Address Privacy

The TY's app supports three types of address privacy modes. For private modes, the user can select the interval at which a new device is generated by the softdevice.

TY's app 5.0 は、3種類のアドレスプライバシーモードをサポートしています。プライベートモードの場合、ユーザーは新しいアドレスが生成されるインターバルを選択できます。

Mode	Address	Description
1	Static	The configured static address will be used Static アドレスを使用
2	Private, resolvable	A new random address will be periodically generated. Bonded devices will recognize this device by its static address. プライベートモードで Resolvable private アドレスを使用
3	Private, non-resolvable	A new random address will be periodically generated. No devices will recognize this device. プライベートモードで Non-resolvable private アドレスを使用

The commands for selecting the privacy mode are listed below.

プライバシーモードを選択するコマンドは以下の通りです。

Code	Description
SPRV	Set the privacy mode (1 – 3) and the number of seconds between rotations プライバシーモードを設定
GPRV	Check the current privacy mode and rotation interval 設定中のプライバシーモード設定を表示

5.7.2 Whitelisting

The TY's app device supports optional whitelisting for bonded devices. In the central role, advertising PDUs will only be received from known peers. In the peripheral role, only scan and connection requests from known peers will be acknowledged. If whitelisting is enabled and there are no bonded peers available, the whitelist will not be applied.

TY's app 5.0 は、Bonding されたデバイスの Whitelist 機能があります。セントラルでは、AdvertisingPDU は既知のペアリングデバイスからのみ受信されます。ペリフェラルでは、既知のペアリングデバイスからのスキャン要求と接続要求だけが承認されます。Whitelist が有効になっており、使用可能な Bonding 済みペアリングデバイスがない場合、Whitelist は適用されません。

EYSKJNAWB-WX

TAIYO YUDEN CO., LTD.

Users can set and check the state of the whitelist using the following commands.
ユーザーは以下のコマンドから Whitelist の設定と確認が行えます。

Code	Description
SWHT	Enable or disable whitelisting for bonded peers. Whitelist の有効化/無効化を設定
GWHT	Check if whitelisting is enabled or disabled. 設定中の Whitelist の設定状態を表示

Devices using resolvable private addresses that no longer use the Identity Address or IRK provided during bonding will no longer be detectable when whitelisting is enabled. Devices using non-resolvable addresses will never be detectable when whitelisting is enabled.

Whitelist を有効にするとパブリック、またはランダムスタティックアドレスや Bonding 中に IRK によって作成されたアドレスといった resolvable プライベートアドレスを使用したデバイスの検出できません。Whitelist を有効にすると、non-resolvable アドレスを使用するデバイスは検出されません。

Command API

Table of Contents

1.0	Command List	70
2.0	APIs	73
2.1	Soft Reset (SRST)	75
2.2	Hard Reset (HRST)	76
2.3	Factory Reset (FRST)	77
2.4	UART Params (UART)	78
2.5	Set DCDC Regulator Config (SREG)	79
2.6	Get DCDC Regulator Config (GREG)	80
2.7	Set LFCLK Source (SXLF)	81
2.8	Get LFCLK Source (GXLF)	82
2.9	Get Active LFCLK Source (RLFC)	83
2.10	Version (VERS)	84
2.11	Read Board Model (MODL)	85
2.12	Save (SAVE)	86
2.13	Set Role (SROL)	87
2.14	Get Role (GROL)	88
2.15	Set Connection Parameters (SCPR)	89
2.16	Get Connection Parameters (GCPR)	90
2.17	Set Device Address (SBAD)	91
2.18	Get Device Address (GBAD)	92
2.19	Set TX Power (TXPW)	93
2.20	Get TX Power (TXPR)	94
2.21	Enable AutoStart (SASM)	95
2.22	Get AutoStart Enabled (GASM)	96
2.23	Send Data BLE (SEND)	97
2.24	Disconnect (DCON)	98
2.25	Set Security Level (SSEC)	99
2.26	Get Security Level (GSEC)	100
2.27	Set IO Capabilities (SIOC)	101

EYSKJNAWB-WX

TAIYO YUDEN CO., LTD.

2.28	Get IO Capabilities (GIOC)	102
2.29	Set OOB Data Enabled (SOOB)	103
2.30	Get OOB Data Enabled (GOOB)	104
2.31	Set Privacy Mode (SPRV)	105
2.32	Get Privacy Mode (GPRV)	107
2.33	Set Whitelist Enabled (SWHT)	109
2.34	Get Whitelist Enabled (GWHT)	110
2.35	Input OOB Data (OOBD)	111
2.36	Input Passkey (PSKI)	112
2.37	Confirm Passkey (PSKC)	113
2.38	Set Bonding Mode (SBND)	114
2.39	Get Bonding Mode (GBND)	115
2.40	Get Number of Bonds (CBND)	116
2.41	Get Bond List (LBND)	117
2.42	Delete Bonds (DBND)	118
2.43	Start Advertising (ADV1)	119
2.44	Stop Advertising (ADV0)	120
2.45	Set Advertising Parameters (ADS1)	121
2.46	Get Advertising Parameters (ADG1)	122
2.47	Set Device Name (ADS2)	123
2.48	Get Device Name (ADG2)	124
2.49	Set Advertising Data (ADS3)	125
2.50	Get Advertising Data (ADG3)	126
2.51	Set Scan Data (ADS4)	127
2.52	Get Scan Data (ADG4)	128
2.53	Set Beacon Data (ADS5)	129
2.54	Get Beacon Data (ADG5)	130
2.55	Set Advertising Mode (ADS6)	131
2.56	Get Advertising Mode (ADG6)	132
2.57	Reject Invalid Connection Parameters (ADS7)	133
2.58	Get Invalid Connection Rejection (ADG7)	134
2.59	Set Extended PHY (ADS8)	135
2.60	Get Extended PHY (ADG8)	136
2.61	Start Scan (SCN1)	137
2.62	Stop Scan (SCN0)	138

TAIYO YUDEN CO., LTD.

EYSKJNAWB-WX

TAIYO YUDEN CO., LTD.

2.63	Connect (MCON)	139
2.64	Cancel Connect (CCON)	140
2.65	Set Scan Parameters (SCS1)	141
2.66	Get Scan Parameters (SCG1)	142
2.67	Set Active Scan (SCS2)	143
2.68	Get Active Scan (SCG2)	144
2.69	Set Scan Filter Name (SCS3)	145
2.70	Get Scan Filter Name (SCG3)	146
2.71	Set Scan Filter Service (SCS4)	147
2.72	Get Scan Filter Service (SCG4)	148
3.0	Events	149
3.1	Boot/Application Start (BOOT)	149
3.2	Advertising Start (ADVS)	150
3.3	Advertising Timeout (ADVT)	150
3.4	Scan Start (SCNS)	150
3.5	Scan Timeout (SCNT)	151
3.6	Advertising Report (ADVR)	151
3.7	Connection Requested (CONS)	152
3.8	Connection Established (CONN)	152
3.9	Disconnection (DCON)	153
3.10	Flash Operation Status (SAVE)	153
3.11	Service Discovery (SDSC)	154
3.12	Connection Mode (MODE)	155
3.13	Pairing (PAIR)	155
3.14	Bonding (BOND)	156
3.15	Display PassKey (PSKD)	156
3.16	Confirm PassKey (PSKC)	157
3.17	Input PassKey (PSKI)	157
3.18	Out-of-band Key Exchange (OOBD)	158
3.19	Data Transmit Complete (BTTX)	159
3.20	Data Received (BTRX)	159
3.21	Low Power Mode Enabled (PWRL)	160
3.22	Low Power Mode Disabled (PWRH)	160
4.0	Error Codes	161

TAIYO YUDEN CO., LTD.

1.0 Command List

System API	
<i>Function</i>	<i>Command</i>
Soft reset	SRST
Hard reset	HRST
Factory reset	FRST
UART params	UART
Set DCDC regulator config	SREG
Get DCDC regulator config	GREG
Set LFCLK source	SXLF
Get LFCLK source (setting)	GXLF
Get LFCLK source (active)	RLFC
Version	VERS
Read Module Type	MODL
Save	SAVE
BLE Common API	
<i>Function</i>	<i>Command</i>
Set role	SROL
Get role	GROL
Set connection param	SCPR
Get connection param	GCPR
Set device address	SBAD
Get device address	GBAD
Set TX power	TXPW
Get TX power	TXPR
Enable AutoStart	SASM
Get AutoStart enabled	GASM
Send data (BLE)	SEND
Disconnect	DCON

BLE Security	
<i>Function</i>	<i>Command</i>
Set security level	SSEC
Get security level	GSEC
Set IO capabilities	SIOC
Get IO capabilities	GIOC
Set OOB data enabled	SOOB
Get OOB data enabled	GOOB
Set privacy mode	SPRV
Get privacy mode	GPRV
Set whitelist enabled	SWHT
Get whitelist enabled	GWHT
Input OOB data	OOBD
Input passkey	PSKI
Confirm passkey	PSKC
Set bonding mode	SBND
Get bonding mode	GBND
Delete bonds	DBND
BLE Peripheral	
<i>Function</i>	<i>Command</i>
Start advertising	ADV1
Stop advertising	ADV0
Set advertising params	ADS1
Get advertising params	ADG1
Set device name	ADS2
Get device name	ADG2
Set advertising data	ADS3
Get advertising data	ADG3
Set scan data	ADS4
Get scan data	ADG4
Set beacon data	ADS5
Get beacon data	ADG5
Set advertising mode	ADS6

EYSKJNAWB-WX

TAIYO YUDEN CO., LTD.

Get advertising mode	ADG6
Set invalid conn reject	ADS7
Get invalid conn reject	ADG7
Set extended PHY	ADS8
Get extended PHY	ADG8

BLE Central	
<i>Function</i>	<i>Command</i>
Start scan	SCN1
Stop scan	SCN0
Connect	MCON
Cancel connect	CCON
Set scan parameters	SCS1
Get scan parameters	SCG1
Set active scan	SCS2
Get active scan	SCG2
Set scan filter name	SCS3
Get scan filter name	SCG3
Set scan filter service	SCS4
Get scan filter service	SCG4

EYSKJNAWB-WX

TAIYO YUDEN CO., LTD.

2.0 APIs

Main APIs used by the system.

システム全体で使用する API の概要、仕様、使用例を記載する。

All input is restricted to printable ascii characters (decimal values 32-126 inclusive), except for the terminating <CRLF> characters

入力可能な文字は、改行コード文字(<CRLF>)を除いて、ASCII コード（10進数の 32～126 を含む）に制限されています。

Character	Hex	Decimal	Character	Hex	Decimal	Character	Hex	Decimal
	20	32	@	40	64	`	60	96
!	21	33	A	41	65	a	61	97
"	22	34	B	42	66	b	62	98
#	23	35	C	43	67	c	63	99
\$	24	36	D	44	68	d	64	100
%	25	37	E	45	69	e	65	101
&	26	38	F	46	70	f	66	102
'	27	39	G	47	71	g	67	103
(28	40	H	48	72	h	68	104
)	29	41	I	49	73	i	69	105
*	2a	42	J	4a	74	j	6a	106
+	2b	43	K	4b	75	k	6b	107
,	2c	44	L	4c	76	l	6c	108
-	2d	45	M	4d	77	m	6d	109
.	2e	46	N	4e	78	n	6e	110
/	2f	47	O	4f	79	o	6f	111
0	30	48	P	50	80	p	70	112
1	31	49	Q	51	81	q	71	113
2	32	50	R	52	82	r	72	114

TAIYO YUDEN CO., LTD.

EYSKJNAWB-WX

TAIYO YUDEN CO., LTD.

3	33	51	S	53	83	s	73	115
4	34	52	T	54	84	t	74	116
5	35	53	U	55	85	u	75	117
6	36	54	V	56	86	v	76	118
7	37	55	W	57	87	w	77	119
8	38	56	X	58	88	x	78	120
9	39	57	Y	59	89	y	79	121
:	3a	58	Z	5a	90	z	7a	122
;	3b	59	[5b	91	{	7b	123
<	3c	60	¥	5c	92	 	7c	124
=	3d	61]	5d	93	}	7d	125
>	3e	62	^	5e	94	~	7e	126
?	3f	63	_	5f	95			

2.1 Soft Reset (SRST)

Description

Soft Reset the device. Reset after 1 second on success, returns error if flash is busy
TY's app 5.0 の Soft Reset を実行します。1 秒後にリセットし、flash が busy 状態である場合 Error が出力されます。

Request Parameters

None

Request Example

```
$SRST<CRLF>
```

Response

ERR10x : NG

OK : SUCCESS

Response Parameters

None

Response example

None

2.2 Hard Reset (HRST)

Description

Immediately reset the device. No checks on operational state.
オペレーションの状態に関わらず直ちにリセットを実行します。

Request Parameters

None

Request Example

\$HRST<CRLF>

Response

ERR10x : NG

Response Parameters

None. The device will immediately reset.
レスポンスなし。TY's app 5.0 は直ちにリセットを実行します。

Response example

None

2.3 Factory Reset (FRST)

Description

Factory the device. Device will reset and reset all the values to defaults

TY's app 5.0 を工場出荷状態にするリセットを実行します。このリセットによって、デバイスを初期化することができます。

Request Parameters

Parameter Name	Value	Comments
Confirmation	CONFIRM	

Request Example

```
$FRST:CONFIRM<CRLF>
```

Response

ERR10x : NG

Response Parameters

None. The device will immediately reset.

レスポンスなし。TY's app 5.0 は直ちにリセットを実行します。

Response example

None

2.4 UART Params (UART)

Description

Sets the UART Baudrate for the device. The configuration data must be saved and the device reset to apply the settings.

TY's app 5.0 の UART ボーレートを設定します。

設定データは SAVE コマンドで保存後、リセットを行うと反映します。

Request Parameters

Parameter Name	Value	Comments
Baudrate	1200,2400,4800,9600, 14400,19200,28800,38400, 57600,76800,115200,230400, 250000,460800,921600,1000000	

Request Example

```
$UART:115200<CRLF>
```

Response

```
ERR10x : NG
```

```
OK : SUCCESS
```

Response Parameters

None

Response example

None

2.5 Set DCDC Regulator Config (SREG)

Description

Sets whether the DCDC regulators are enabled or disabled. On success the changes will be applied immediately.

DCDC レギュレータを有効にするか無効にするかを設定します。成功すると、変更はすぐに適用されます。

Request Parameters

Parameter Name	Value	Comments
Enabled	0, 1	0 – Use LDO LDO 使用 1 – Use DCDC regulators DCDC レギュレータ使用

Request Example

```
$SREG:1<CRLF>
```

Response

```
ERR10x : NG
```

```
OK : SUCCESS
```

Response Parameters

None

Response example

None

2.6 Get DCDC Regulator Config (GREG)

Description

Returns the configuration of the DCDC regulators.

DCDC レギュレータの設定状況を取得します。

Request Parameters

None

Request Example

\$GREG<CRLF>

Response

ERR10x : NG

OK : SUCCESS

Response Parameters

Parameter Name	Value	Comments
Enabled	0, 1	0 – LDO 1 – DCDC

Response example

GREG:1<CRLF>

2.7 Set LFCLK Source (SXLF)

Description

Selects the LFCLK source to use (internal RC oscillator or external 32kHz oscillator). When setting the source, a SAVE operation followed by an application reset is required.

使用する LFCLK source (内蔵 RC オシレータまたは外部 32kHz オシレータ) を選択します。source を設定するときは、SAVE コマンドとそれに続くアプリケーションのリセットが必要です。

Request Parameters

Parameter Name	Value	Comments
LFCLK selection	0 – Internal RC 1 – External 32kHz	

Request Example

```
$SXLF:1<CRLF>
```

Response

```
ERR10x : NG
```

```
OK : SUCCESS
```

Response Parameters

None

Response example

None

2.8 Get LFCLK Source (GXLF)

Description

Returns the LFCLK source selected by the SXLF setting. This may differ to the active LFCLK source if the system has not been restarted since the configuration was modified.

SXLF 設定によって選択された LFCLK source を取得します。設定が変更されてからシステムが再起動されていない場合、動作中の LFCLK source とは異なる場合があります。

Request Parameters

None

Request Example

\$GXLF<CRLF>

Response

ERR10x : NG

Response Parameters

Parameter Name	Value	Comments
LFCLK source	0 – Internal RC 1 – External 32kHz	

Response example

GXLF:1<CRLF>

EYSKJNAWB-WX

TAIYO YUDEN CO., LTD.

2.9 Get Active LFCLK Source (RLFC)

Description

Returns the LFCLK source currently being used by the module.

動作中の LFCLK source の状態を取得します。

Request Parameters

None

Request Example

\$RLFC<CRLF>

Response

ERR10x : NG

Response Parameters

Parameter Name	Value	Comments
LFCLK source	0 – Internal RC 1 – External 32kHz	

Response example

RLFC:1<CRLF>

EYSKJNAWB-WX

TAIYO YUDEN CO., LTD.

2.10 Version (VERS)

Description

Gets the version number of the firmware.

Firmware の version 情報を取得します。

Request Parameters

None

Request Example

\$VERS<CRLF>

Response

ERR10x : NG

OK : SUCCESS

Response Parameters

Parameter Name	Value	Comments
Version	X.Y.Z	Version number Version 番号

Response example

\$VERS:5.1.8<CRLF>

2.11 Read Board Model (MODL)

Description

Gets the model of the hardware module. IO assignments will change depending on which model of board is used. Some APIs may not be available depending on the model type.

ハードウェアモジュールのモデルを取得します。どのモデルのボードを使用するかによって、IOの割り当てが変わります。機種によっては利用できないAPIがあります。

Request Parameters

None

Request Example

\$MODL<CRLF>

Response

ERR10x : NG

OK : SUCCESS

Response Parameters

Parameter Name	Value	Comments
Model	xxxxxx	Model Type

Response example

\$MODL:EYSKJN<CRLF>

2.12 Save (SAVE)

Description

Save current configuration to flash, event is posted on completion

現在の設定内容を flash 内部へ保存します。保存完了時にレスポンスが通知されます。

Request Parameters

None

Request Example

\$SAVE<CRLF>

Response

ERR10x : NG

OK : SUCCESS

Response Parameters

None

Response example

None

2.13 Set Role (SROL)

Description

Set the device to peripheral or central role.

TY's app 5.0 の ROLE をペリフェラル、セントラルのどちらかに設定します。

Request Parameters

Parameter Name	Value	Comments
Role	C -> Central P -> Peripheral	

Request Example

```
$SROL:C<CRLF>
```

Response

ERR10x : NG

OK : SUCCESS

Response Parameters

None

Response example

None

EYSKJNAWB-WX

TAIYO YUDEN CO., LTD.

2.14 Get Role (GROL)

Description

Gets the device current role, Central or Peripheral.

現在設定されている TY's app 5.0 の ROLE を取得します。

Request Parameters

None

Request Example

\$GROL<CRLF>

Response

ERR10x : NG

OK : SUCCESS

Response Parameters

Parameter Name	Value	Comments
Role	C -> Central P -> Peripheral	

Response example

None

2.15 Set Connection Parameters (SCPR)

Description

Set the preferred connection parameters. In central mode these connection parameters will be used when a connection is initiated. Peripherals will send a connection parameter update to the central with these parameters after 3 seconds.

接続パラメータを設定します。セントラルでは、これらの接続パラメータは接続が開始されたときに適用されます。ペリフェラルでは3秒後にセントラルに接続パラメータの更新情報を送信します。

Request Parameters

Parameter Name	Value	Comments
Interval Min	6 – 3200	1.25ms units
Interval Max	6 – 3200	1.25ms units
Latency	0 – 499	
Timeout	10 - 3200	10ms units

Timeout must be a minimum of $(1 + \text{latency}) \times \text{max interval} * 2$

Timeout の値は $((1 + \text{latency}) * \text{Interval Max}) * 2$ を最低値としてこの値より大きい値を設定してください。

Request Example

```
$SCPR:100:200:0:3200<CRLF>
```

Response

```
ERR10x : NG
```

```
OK : SUCCESS
```

Response Parameters

None

Response example

None

EYSKJNAWB-WX

TAIYO YUDEN CO., LTD.

2.16 Get Connection Parameters (GCPR)

Description

Get the current connection parameters.

現在の接続パラメータを取得します。

Request Parameters

None

Request Example

\$GCPR<CRLF>

Response

ERR10x : NG

OK : SUCCESS

Response Parameters

Parameter Name	Value	Comments
Interval Min	6 - 3200	1.25ms units
Interval Max	6 - 3200	1.25ms units
Latency	0 - 499	
Timeout	10 - 3200	10ms units

Response example

\$GCPR: 100:200:0:3200<CRLF>

2.17 Set Device Address (SBAD)

Description

Sets the device's BLE address. This address will be used when the privacy mode is disabled.
 デバイスの BLE アドレスを設定します。このアドレスは Privacy Mode を無効に設定しているときに使用できます。

Request Parameters

Parameter Name	Value	Comments
Address	up to 12 ascii-format hex characters 最大 12 文字 (ascii-format, HEX character を使用してください)	Use an empty field to revert to the factory default パラメータを空白にして実行することで工場出荷状態のパラメータに戻すことができます

The uppermost 2 bits of the address will always be set to meet Bluetooth specification. If the user inputs an address with these bits not set, they will be set by the firmware.

アドレスの上位 2bit は常に Bluetooth 仕様に合わせて設定してください。ユーザー設定のアドレスが Bluetooth 仕様に沿ってない場合は Firmware によって設定が行われます。

Request Example

```
$SBAD: 23456789ABCD<CRLF>
```

```
$SBAD:<CRLF>
```

Response

```
ERR10x : NG
```

```
OK : SUCCESS
```

Response Parameters

None

Response example

None

EYSKJNAWB-WX

TAIYO YUDEN CO., LTD.

2.18 Get Device Address (GBAD)

Description

Get the device's BLE address.

TY's app 5.0 の BLE アドレス情報を取得します。

Request Parameters

None

Request Example

\$GBAD<CRLF>

Response

ERR10x : NG

OK : SUCCESS

Response Parameters

Parameter Name	Value	Comments
Address	less than or equal to 12 Hex Characters 最大 12 文字 (ascii-format, hex characters)	

Response example

\$GBAD: E3456789ABCD<CRLF>

EYSKJNAWB-WX

TAIYO YUDEN CO., LTD.

2.19 Set TX Power (TXPW)**Description**

Sets the transmission power for the radio.

TX power を設定します。

Request Parameters

Parameter Name	Value	Comments
TX Power	-40, -20, -16, -12, -8, -4, 0, 2, 3, 4, 5, 6, 7, 8, X	Use X to let the SoftDevice use defaults パラメータを 'X' にす ると SoftDevice のデ フォルト値が設定さ れます。

Request Example

```
$TXPW:2<CRLF>
```

```
$TXPW:X<CRLF>
```

Response

```
ERR10x : NG
```

```
OK : SUCCESS
```

Response Parameters

None

Response example

None

EYSKJNAWB-WX

TAIYO YUDEN CO., LTD.

2.20 Get TX Power (TXPR)**Description**

Gets the transmission power for the radio.

設定している TX power の値を取得します。

Request Parameters

None

Request Example

\$TXPR<CRLF>

Response

ERR10x : NG

OK : SUCCESS

Response Parameters

Parameter Name	Value	Comments
TX Power	-40, -20, -16, -12, -8, -4, 0, 2, 3, 4, 5, 6, 7, 8, X	Use X to let the SoftDevice use defaults パラメータを 'X' にす ると SoftDevice のデ フォルト値が設定さ れます

Response example

None

2.21 Enable AutoStart (SASM)

Description

When enabled, the device will automatically start scanning or advertising based on its current role. Automatic operations will take place on boot or after disconnection. Advertising or scanning timeouts will not trigger an automatic restart.

AutoStart を有効にすると、TY's app 5.0 は現在の ROLE をベースとしてスキャン/アドバタイジングを自動的に開始します。AutoStart は起動時、または接続状態から切断された後に実行されます。スキャン/アドバタイジングのタイムアウトした場合 AutoStart は実行されません。

Request Parameters

Parameter Name	Value	Comments
Enabled Flag	0 -> Not enabled	
	1 -> Enable	

Request Example

```
$SASM:1<CRLF>
```

Response

```
ERR10x : NG
```

```
OK : SUCCESS
```

Response Parameters

None

Response example

None

EYSKJNAWB-WX

TAIYO YUDEN CO., LTD.

2.22 Get AutoStart Enabled (GASM)

Description

Gets the automatic advertising or scanning on reset or disconnect.

AutoStart の有効/無効状態を取得します。

Request Parameters

None

Request Example

\$GASM<CRLF>

Response

ERR10x : NG

OK : SUCCESS

Response Parameters

Parameter Name	Value	Comments
Enabled Flag	0 -> Not enabled	
	1 -> Enable	

Response example

\$GASM:1<CRLF>

2.23 Send Data BLE (SEND)

Description

Send data to the connected peer. Only available once notifications are enabled on the peripheral device. Generates a transmission complete event (BTTX) once the data is sent.

接続状態であるデバイスにデータを送ります。ペリフェラルデバイスの Notification が有効であるときのみ利用が可能です。データが送信されると送信完了イベント（BTTX）を通知します。送信可能なデータの最大値は 20 Character となります。

Request Parameters

Parameter Name	Value	Comments
Data	Max 20 characters	

Request Example

```
$SEND: ABC<CRLF>
```

Response

ERR10x : NG

OK : SUCCESS

Response Parameters

None

Response example

None

2.24 Disconnect (DCON)

Description

Terminate the current connection.

現在の接続状態から切断します。

Request Parameters

None

Request Example

\$DCON<CRLF>

Response

ERR10x : NG

OK : SUCCESS

Response Parameters

None

Response example

None

2.25 Set Security Level (SSEC)

Description

Set the desired security level for the device's characteristics. The device configuration must be saved and reset to apply changes. Levels 3+ require IO capabilities > 0. Raising the security level may cause bonded peers to no longer have sufficient authentication, bonding data must be cleared to re-bond.

デバイスの特性に適したセキュリティレベルを設定します。TY's app 5.0 の設定は必ず **SAVE** コマンドにて保存し、リセットを実行して設定変更を適応してください。Level 3 以上を設定する場合は IO capabilities を 0 より大きい値に設定してください。一度 **Bonding** したデバイスと再度接続する際にセキュリティレベルを上げると、**Bonding** されたデバイスが十分な認証を失う可能性があります。この場合 **Bonding** データをクリアしてから再度 **Bonding** する必要があります。

Request Parameters

Parameter Name	Value	Comments
Level	1 -> Open 2 -> Enc 3 -> Enc + Mitm 4 -> Mitm + Lesc	

Request Example

```
$SSEC:1<CRLF>
```

Response

```
ERR10x : NG
```

```
OK : SUCCESS
```

Response Parameters

None

Response example

None

EYSKJNAWB-WX

TAIYO YUDEN CO., LTD.

2.26 Get Security Level (GSEC)

Description

Gets the current security level for the device.

現在の TY's app 5.0 のセキュリティレベルを取得します。

Request Parameters

None

Request Example

\$GSEC<CRLF>

Response

ERR10x : NG

OK : SUCCESS

Response Parameters

Parameter Name	Value	Comments
Level	1 -> Open 2 -> Enc 3 -> Enc + Mitm 4 -> Mitm + Lesc	

Response example

\$GSEC:1<CRLF>

2.27 Set IO Capabilities (SIOC)

Description

Set the available IO capabilities for the device (keyboard, display, etc). Used for determining pairing methods during MITM authentication. Attempting to set IO capabilities to 0 when security is 3+ will result in an error as MITM authentication is required.

利用する IO capabilities(Keyboard, display, etc...)を TY's app 5.0 に設定します。MITM 認証を利用したペアリング処理を実行する時に使用します。セキュリティレベルが 3 以上に設定されているときに IO capabilities を 0 に設定すると MITM 認証の要求時に **error** となってしまいます。

Request Parameters

Parameter Name	Value	Comments
Capabilities	0 -> None 1 -> Display 2 ->Display+YesNo 3 -> Keyboard 4 ->Keyboard+Display	

Request Example

```
$SIOC:0<CRLF>
```

Response

```
ERR10x : NG
```

```
OK : SUCCESS
```

Response Parameters

None

Response example

None

EYSKJNAWB-WX

TAIYO YUDEN CO., LTD.

2.28 Get IO Capabilities (GIOC)

Description

Gets the available IO capabilities for the device (keyboard, display, etc)

IO capabilities の設定値を取得します。

Request Parameters

None

Request Example

\$GIOC<CRLF>

Response

ERR10x : NG

OK : SUCCESS

Response Parameters

Parameter Name	Value	Comments
Capabilities	0 -> None 1 -> Display 2 ->Display+YesNo 3 -> Keyboard 4 ->Keyboard+Display	

Response example

\$GIOC:2<CRLF>

2.29 Set OOB Data Enabled (SOOB)

Description

Enables/disables the use of out of band pairing. If enabled, pairing will always choose OOB. The device will require input capabilities.

OOB(Out of band)を利用したペアリング方法の有効化/無効化を設定します。有効にする場合、ペアリング実行時常に OOB を利用してペアリングが行われます。デバイスは入力機能を必要とします。

Request Parameters

Parameter Name	Value	Comments
Enabled Flag	0 -> Not enabled	
	1 -> Enable	

Request Example

```
$SOOB:1<CRLF>
```

Response

```
ERR10x : NG
```

```
OK : SUCCESS
```

Response Parameters

None

Response example

None

EYSKJNAWB-WX

TAIYO YUDEN CO., LTD.

2.30 Get OOB Data Enabled (GOOB)

Description

Gets the state (enable/disable) of the use of out of band pairing.
OOB(out of band)ペアリングの有効化/無効化の状態を取得します。

Request Parameters

None

Request Example

\$GOOB<CRLF>

Response

ERR10x : NG

OK : SUCCESS

Response Parameters

Parameter Name	Value	Comments
Enabled Flag	0 -> Not enabled	
	1 -> Enable	

Response example

\$GOOB:1<CRLF>

2.31 Set Privacy Mode (SPRV)

Description

Set the address privacy mode of the device. Selecting non-resolvable privacy will cause bonded peers to not recognize this device.

TY's app 5.0 のアドレスを privacy mode に設定します。Non-resolvable privacy を選択するとすでに bonding を行ったデバイスだとしてもデバイスの認識が行われなくなります。

Request Parameters

Parameter Name	Value	Comments
Type	<p>1 -> Fixed address (factory default or user set address). Rotation is not used アドレス固定(工場出荷時のデフォルト値、またはユーザーが設定したアドレス値)</p> <p>2 -> Resolvable. Randomized. Device can be identified Resolvable アドレス。アドレスがランダムに変更され、デバイスはそのアドレスを認識します</p> <p>3 -> Non-resolvable. Randomized, not identifiable Non-resolvable アドレス。アドレスがランダムに変更されるが、デバイスの認識が行われなくなる。</p>	
Rotation	1 - 41400	<p>How many seconds between address changes アドレスが変更される周期を設定します</p>

Request Example

```
$SPRV:1:1<CRLF>
```

EYSKJNAWB-WX

TAIYO YUDEN CO., LTD.

Response

ERR10x : NG

OK : SUCCESS

Response Parameters

None

Response example

None

EYSKJNAWB-WX

TAIYO YUDEN CO., LTD.

2.32 Get Privacy Mode (GPRV)**Description**

Gets the privacy mode for scanning/advertising.

privacy mode の設定情報を取得します。

Request Parameters

None

Request Example

\$GPRV<CRLF>

Response

ERR10x : NG

OK : SUCCESS

Response Parameters

Parameter Name	Value	Comments
Type	<p>1 -> Fixed address (factory default or user set address). Rotation is not used アドレス固定(工場出荷時のデフォルト値、またはユーザーが設定したアドレス値)</p> <p>2 -> Resolvable. Randomized. Device can be identified Resolvable アドレス。アドレスがランダムに変更され、デバイスはそのアドレスを認識します</p> <p>3 -> Non-resolvable. Randomized, not identifiable Non-resolvable アドレス。アドレスがランダムに変更されるが、デバイスの認識が行われなくなる。</p>	
Rotation	1 - 41400	<p>How many seconds between address changes アドレスが変更される周期を設定します</p>

TAIYO YUDEN CO., LTD.

EYSKJNAWB-WX

TAIYO YUDEN CO., LTD.

Response example

None

2.33 Set Whitelist Enabled (SWHT)

Description

Sets the use of whitelisting for bonded peers. If enabled, only peers whose address is can be resolved are allowed through the whitelist filter. If no peers have bonded with this device, the whitelist will not be applied.

Bonding を行ったデバイスに対して Whitelist の有効化/無効化を設定します。有効化した場合、Bonding を行ったデバイスのみ Whitelist フィルターを通過して接続します。Bonding が行われたデバイスがない場合、Whitelist フィルターは適応されません。

Request Parameters

Parameter Name	Value	Comments
Enable whitelist	0 = disabled 1 = enabled	

Request Example

```
$SWHT:1<CRLF>
```

Response

```
ERR10x : NG
```

```
OK : SUCCESS
```

Response Parameters

None

Response example

None

EYSKJNAWB-WX

TAIYO YUDEN CO., LTD.

2.34 Get Whitelist Enabled (GWHT)

Description

Get the enabled/disabled status of the whitelist.

Whitelist の有効化/無効化の情報を取得します。

Request Parameters

None

Request Example

\$GWHT<CRLF>

Response

ERR10x : NG

OK : SUCCESS

Response Parameters

Parameter Name	Value	Comments
Enable whitelist	0 = disabled 1 = enabled	

Response example

None

2.35 Input OOB Data (OOBD)

Description

Used when out-of-band pairing is requested. The user must input the random and confirm values received from the remote peer through non-BLE communication.

OOB(out of band)ペアリングが要求されたときに使用します。ユーザーは BLE 接続以外の方法で対向機となるデバイスから認証に必要な random value と confirm value を取得する必要があります。

Request Parameters

Parameter Name	Value	Comments
Value	<= 32 ascii-formatted hex	
Confirm Value	<= 32 ascii-formatted hex	

Request Example

```
$OOBD:1321A54F896BBC3E84C4ABB3D9C368EF:CF3AB24856EC32BA47E5B6C98799DADB<C
RLF>
```

Response

```
ERR10x : NG
OK : SUCCESS
```

Response Parameters

None

Response example

None

2.36 Input Passkey (PSKI)

Description

Input Passkey. Used during pairing. User must input the passkey presented on the remote device during pairing and only after a passkey input event (PSKI). If the key is incorrect the user may attempt until the central times out the request.

Pass Key Entryに必要な passkey の入力を行います。この入力はペアリング処理中に行われます。ユーザーはペアリング処理中に passkey 入力イベント(PSKI)が発行された後に、対向機側に表示された passkey を入力しなければなりません。入力した passkey が間違っていた場合、対向機がリクエストをタイムアウトするまで入力を実施することができます。

Request Parameters

Parameter Name	Value	Comments
Passkey	6 digits	

Request Example

```
$PSKI:123456<CRLF>
```

Response

```
ERR10x : NG
```

```
OK : SUCCESS
```

Response Parameters

None

Response example

None

2.37 Confirm Passkey (PSKC)

Description

Confirm Passkey. Used during pairing. The user must verify that the passkey displayed on both devices matches and acknowledge using this command.

Numeric Comparison の認証に必要な Passkey の確認をします。この入力ペアリング処理中に行われます。ユーザーは、両方のデバイスに表示されている Passkey が一致していることを確認しこのコマンドを使用して passkey が一致していたことを通知する必要があります。

Request Parameters

Parameter Name	Value	Comments
Confirmation	0 -> Passkeys do not match Passkey が一致していない場合 1 -> Passkeys match Passkey が一致している場合	

Request Example

```
$PSKC:1<CRLF>
```

Response

```
ERR10x : NG
```

```
OK : SUCCESS
```

Response Parameters

None

Response example

None

EYSKJNAWB-WX

TAIYO YUDEN CO., LTD.

2.38 Set Bonding Mode (SBND)**Description**

Enable/disable accepting bonding requests.

Bonding 要求の有効化/無効化を設定します。

Request Parameters

Parameter Name	Value	Comments
Mode	0 -> Off. Bonding requests will be rejected. Bonding 要求を拒否する 1 -> On. Bonding request will be accepted if it meets the minimum security level. Bonding 可能なセキュリティレベルが一致している場合 Bonding 要求が許容される	

Request Example

\$SBND:1<CRLF>

Response

ERR10x : NG

OK : SUCCESS

Response Parameters

None

Response example

None

EYSKJNAWB-WX

TAIYO YUDEN CO., LTD.

2.39 Get Bonding Mode (GBND)

Description

Gets the Accepting Bonding Requests Value.

Bonding 要求の有効化/無効化の情報を取得します。

Request Parameters

None

Request Example

```
$GBND<CRLF>
```

Response

ERR10x : NG

OK : SUCCESS

Response Parameters

Parameter Name	Value	Comments
Mode	0 -> Off. Bonding requests will be rejected. Bonding Mode 無効化状態 1 -> On. Bonding request will be accepted if it meets the minimum security level. Bonding Mode 有効化状態	

Response example

```
$GBND:0-<CRLF>
```

EYSKJNAWB-WX

TAIYO YUDEN CO., LTD.

2.40 Get Number of Bonds (CBND)

Description

Read the current number of bonds.

現在 Bonding を行っているデバイス数を取得します。

Bonding 数は最大 8 になります。

Request Parameters

Parameter Name	Value	Comments
Count	0-8	

Request Example

None

Response

ERR10x : NG

OK : SUCCESS

Response Parameters

None

Response example

\$CBND:2<CRLF>

EYSKJNAWB-WX

TAIYO YUDEN CO., LTD.

2.41 Get Bond List (LBND)

Description

Print the addresses of the currently bonded peers.

現在 Bonding を行っているデバイスのアドレス情報を取得します。

Request Parameters

None

Request Example

```
$LBND<CRLF>
```

Response

ERR10x : NG

OK : SUCCESS

Response Parameters

Parameter Name	Value	Comments
Address	12 Hex Characters	Up to a maximum of 8 addresses 最大8つ分のアドレスを:で分割して表示します

Response example

```
$LBND:123456789ABC:23456789ABCD<CRLF>
```

```
$LBND:<CRLF>
```

2.42 Delete Bonds (DBND)

Description

Delete all of the stored bonding information on the device.

TY's app 5.0 に登録されている Bonding 情報をすべて削除します。

Request Parameters

None

Request Example

\$DBND<CRLF>

Response

ERR10x : NG

OK : SUCCESS

Response Parameters

None

Response example

None

2.43 Start Advertising (ADV1)

Description

Begins advertising using the current configuration.

現在の設定情報でアドタイジングを開始します。

Request Parameters

None

Request Example

\$ADV1<CRLF>

Response

ERR10x : NG

OK : SUCCESS

Response Parameters

None

Response example

None

2.44 Stop Advertising (ADV0)

Description

Stop the current advertising.

現在実行中のアドバタイジングを停止します。

Request Parameters

None

Request Example

\$ADV0<CRLF>

Response

ERR10x : NG

OK : SUCCESS

Response Parameters

None

Response example

None

2.45 Set Advertising Parameters (ADS1)

Description

Set the advertising interval and timeout.

アドバタイジング時のインターバルとタイムアウトを設定します。

Request Parameters

Parameter Name	Value	Comments
Interval	32 - 16384	Minimum interval for beacons is 100ms. If the stored value is lower 100ms will be used instead. [unit:0.625ms] Beacon の最小インターバルは 100ms。このとき保持されている値が 100ms 未満であった場合 100ms が適応されます。 [単位 : 0.625ms]
Timeout	0 - 65535	Timeout in seconds. 0 is unlimited. [unit:10ms] 0 秒を指定する場合、タイムアウトを無効に設定できます。 [単位 : 10ms]

Request Example

\$ADS1:32:100<CRLF>

Response

ERR10x : NG

OK : SUCCESS

Response Parameters

None

Response example

None

EYSKJNAWB-WX

TAIYO YUDEN CO., LTD.

2.46 Get Advertising Parameters (ADG1)

Description

Gets the set advertising interval and timeout.

設定しているアドバタイジングのインターバルとタイムアウトの値を取得します。

Request Parameters

None

Request Example

\$ADG1<CRLF>

Response

ERR10x : NG

OK : SUCCESS

Response Parameters

Parameter Name	Value	Comments
Interval	32 - 16384	0.625ms units
Timeout	0 - 65535	10ms units

Response example

\$ADG1:32:100<CRLF>

2.47 Set Device Name (ADS2)

Description

Sets the device name that will be broadcast. If the device name is used in advertising data, setting a new name will update the advertising data. The name will be truncated if it does not fit.

アドバタイズで使用するデバイス名を設定します。デバイス名がアドバタイジングデータに使用されている場合は、新しい名前を設定するとアドバタイジングデータが更新されます。デバイス名がPDU に収まらない場合収まらなかった分の名前は切り捨てられます。PDU 構成については、「FUNCTIONAL SPECIFICATION」を参照してください。

Request Parameters

Parameter Name	Value	Comments
Name	<= 31 Character	

Request Example

```
$ADS2:TEST<CRLF>
```

Response

```
ERR10x : NG
```

```
OK : SUCCESS
```

Response Parameters

None

Response example

None

EYSKJNAWB-WX

TAIYO YUDEN CO., LTD.

2.48 Get Device Name (ADG2)

Description

Gets the current device name.

現在のデバイス名を取得します

Request Parameters

None

Request Example

\$ADG2<CRLF>

Response

ERR10x : NG

OK : SUCCESS

Response Parameters

Parameter Name	Value	Comments
Name	<= 31 Character	

Response example

\$ADG2:TEST<CRLF>

2.49 Set Advertising Data (ADS3)

Description

Sets the user manufacturer data that will be placed in the advertising PDU. The device name and Taiyo Yuden service UUID can also be included. Size restrictions apply, the advertising PDU can hold 28 bytes. Refer to the FUNCTIONAL SPECIFICATION document for details regarding the PDU capacity.

アドバタイジング PDU に配置される Manufacturer データを設定します。デフォルト値ではデバイス名(Tysa-B 5)と太陽誘電の Service UUID がアドバタイジングデータ内に含まれた状態となっています。データサイズ制限が適応されると、アドバタイジング PDU は 28 バイトに保たれます。PDU のデータ構造の詳細は「FUNCTIONAL SPECIFICATION」を参照してください。

Request Parameters

Parameter Name	Value	Comments
Data	ascii-formatted hex characters	Uses 2 bytes + data length
Include name	0 -> exclude name 1 -> include name	Uses 2 bytes + name length.
Include UUID	0 -> exclude service UUID 1 -> include service UUID	Uses 18 bytes

Request Example

```
$ADS3:Test:0:1<CRLF>
```

Response

```
ERR10x : NG  
OK : SUCCESS
```

Response Parameters

None

Response example

None

EYSKJNAWB-WX

TAIYO YUDEN CO., LTD.

2.50 Get Advertising Data (ADG3)

Description

Returns the contents of the advertising PDU. The complete PDU is returned, as scanning devices will see it.

アドバタイジング PDU の構成内容を取得します。スキャンデバイスには、PDU 全体が返されます。

Request Parameters

None

Request Example

\$ADG3<CRLF>

Response

ERR10x : NG

OK : SUCCESS

Response Parameters

Parameter Name	Value	Comments
PDU Data	ascii-formatted hex	

Response example

\$ADG3:02010606FF3132333435<CRLF>

2.51 Set Scan Data (ADS4)

Description

Sets the user manufacturer data that will be placed in the advertising PDU. The device name and Taiyo Yuden service UUID can also be included. Size restrictions apply, the scan response PDU can hold 31 bytes as AD flags are not present. Refer to the FUNCTIONAL SPECIFICATION document for details regarding the PDU capacity.

scan response PDU に配置される Manufacturer データを設定します。デフォルト値ではデバイス名(Tysa-B 5)と太陽誘電の Service UUID が Scan response データ内に含まれた状態となっています。データサイズ制限が適応されると、AD flag が存在しないため scan response PDU は 31 バイトに保たれます PDU のデータ構造の詳細は「FUNCTIONAL SPECIFICATION」を参照してください。

Request Parameters

Parameter Name	Value	Comments
Data	ascii-formatted hex characters	Uses 2 bytes + data length
Include name	0 -> exclude name 1 -> include name	Uses 2 bytes + name length.
Include UUID	0 -> exclude service UUID 1 -> include service UUID	Uses 18 bytes

Request Example

```
$ADS4:Test:1:1<CRLF>
```

Response

```
ERR10x : NG  
OK : SUCCESS
```

Response Parameters

None

Response example

None

2.52 Get Scan Data (ADG4)

Description

Returns the contents of the scan response PDU. The complete PDU is returned, as scanning devices will see it.

scan response PDU の構成内容を取得します。スキャンデバイスには、PDU 全体が返されます。

Request Parameters

None

Request Example

\$ADG4<CRLF>

Response

ERR10x : NG

OK : SUCCESS

Response Parameters

None

Response example

\$ADG4:02010608093132333435363738<CRLF>

EYSKJNAWB-WX

TAIYO YUDEN CO., LTD.

2.53 Set Beacon Data (ADS5)

Description

Set the beacon mode data values.

Beacon mode のデータを設定します。

Request Parameters

Parameter Name	Value	Comments
Proximity UUID	32 ascii-formatted hex characters	
Major	4 ascii-formatted hex characters	
Minor	4 ascii-formatted hex characters	
Power	0-255	Power is negative DBm in decimal Power は負の DBm の値(10 進表記)

Request Example

```
$ADS5:ABCDABCDABCDABCDABCDABCDABCDABCD:0001:0002:100<CRLF>
```

Response

ERR10x : NG

OK : SUCCESS

Response Parameters

None

Response example

None

EYSKJNAWB-WX

TAIYO YUDEN CO., LTD.

2.54 Get Beacon Data (ADG5)

Description

Returns the raw PDU data.

現在の Beacon mode の設定値(PDU data)を取得します

Request Parameters

None

Request Example

```
$ADG5<CRLF>
```

Response

ERR10x : NG

OK : SUCCESS

Response Parameters

Parameter Name	Value	Comments
UUID	<= 32 Hex Characters	
Major	<= 4 Hex Characters	
Minor	<= 4 Hex Characters	
Power	0-255	Power is negative DBm in decimal Power は負の DBm の値(10 進表記)

Response example

```
$ADG5:ABCDABCDABCDABCDABCDABCDABCDABCD:0001:0002:100<CRLF>
```

EYSKJNAWB-WX

TAIYO YUDEN CO., LTD.

2.55 Set Advertising Mode (ADS6)

Description

Sets the advertising mode the device will use.

Advertising mode を設定します。

Request Parameters

Parameter Name	Value	Comments
Mode	1 = (general) connectable + scannable 2 = (beacon) non-connectable + non-scannable 3 = (extended) connectable + non-scannable 4 = (extended beacon) non-connectable + non-scannable	

Request Example

\$ADS6:1 <CRLF>

Response

ERR10x : NG

OK : SUCCESS

Response Parameters

None

Response example

None

EYSKJNAWB-WX

TAIYO YUDEN CO., LTD.

2.56 Get Advertising Mode (ADG6)

Description

Gets the advertising mode the device is using.

設定している Advertising mode を取得します

Request Parameters

Mode

Request Example

\$ADG6<CRLF>

Response

ERR10x : NG

OK : SUCCESS

Response Parameters

Parameter Name	Value	Comments
Mode	1 = (general) connectable + scannable 2 = (beacon) non-connectable + non-scannable 3 = (extended) connectable + non-scannable 4 = (extended beacon) non-connectable + non-scannable	

Response example

\$ADG6:1<CRLF>

2.57 Reject Invalid Connection Parameters (ADS7)

Description

Enable/disable rejection of unacceptable connection parameters. When enabled, the device will disconnect if the central does not update the connection to acceptable parameters.

接続パラメータの受け入れ拒否機能を有効化/無効化します。この機能を有効にすると、セントラルから送られてきた接続パラメータが更新されていないならば、デバイスは接続状態を切断します。

Request Parameters

Parameter Name	Value	Comments
Reject invalid parameters	0 -> Disable	
	1 -> Enable	

Request Example

\$ADS7:1<CRLF>

Response

ERR10x : NG

OK : SUCCESS

Response Parameters

None

Response example

None

EYSKJNAWB-WX

TAIYO YUDEN CO., LTD.

2.58 Get Invalid Connection Rejection (ADG7)

Description

Gets the state of the rejection of unacceptable connection parameters.

接続パラメータの受け入れ拒否機能の設定状態を取得します。

Request Parameters

None

Request Example

\$ADG7<CRLF>

Response

ERR10x : NG

OK : SUCCESS

Response Parameters

Parameter Name	Value	Comments
Enable Flag	0 -> Disabled	
	1 -> Enabled	

Response example

\$ADG7:0<CRLF>

EYSKJNAWB-WX

TAIYO YUDEN CO., LTD.

2.59 Set Extended PHY (ADS8)

Description

Sets the PHYs to use for advertising and connection. Only used when advertising modes are extended.

アドバタイジングで使用する PHY の設定をします。Advertising mode が Extended mode のときのみ使用できます。

Request Parameters

Parameter Name	Value	Comments
Primary	0 -> 1Mbps (default)	
	1 -> CODED (Long range)	
Secondary	0 -> 1Mbps	
	1 -> CODED	
	2 -> 2Mbps (default)	

Request Example

```
$ADS8:0:0<CRLF>
```

Response

```
ERR10x : NG
```

```
OK : SUCCESS
```

Response Parameters

None

Response example

None

EYSKJNAWB-WX

TAIYO YUDEN CO., LTD.

2.60 Get Extended PHY (ADG8)

Description

Gets the PHYs that the device is using for advertising and connection in extended mode.

アドバタイジングで使用する PHY の設定を取得します。

Request Parameters

None

Request Example

\$ADG8<CRLF>

Response

ERR10x : NG

OK : SUCCESS

Response Parameters

Parameter Name	Value	Comments
Primary	0 -> 1Mbps (default)	
	1 -> CODED (Long range)	
Secondary	0 -> 1Mbps	
	1 -> CODED	
	2 -> 2Mbps (default)	

Response example

\$ADG8:0:0<CRLF>

2.61 Start Scan (SCN1)

Description

Begin central scanning with the current configuration.

現在の設定条件でスキャンを開始します。

Request Parameters

None

Request Example

\$SCN1<CRLF>

Response

ERR10x : NG

OK : SUCCESS

Response Parameters

None

Response example

None

2.62 Stop Scan (SCN0)

Description

Stops the current scanning.

実行中のスキャンを停止します。

Request Parameters

None

Request Example

\$SCN0<CRLF>

Response

ERR10x : NG

OK : SUCCESS

Response Parameters

None

Response example

None

EYSKJNAWB-WX

TAIYO YUDEN CO., LTD.

2.63 Connect (MCON)

Description

Initiate a connection to the specified device. Scanning parameters will be used during search.
指定したデバイスとの接続を開始します。スキャンパラメータはペリフェラルのスキャン中に使用されます。

Request Parameters

Parameter Name	Value	Comments
Address	12 ascii formatted hex characters	Address to connect

Request Example

```
$MCON:123456789ABC<CRLF>
```

Response

```
ERR10x : NG
```

```
OK : SUCCESS
```

Response Parameters

None

Response example

None

2.64 Cancel Connect (CCON)

Description

Cancel initiation of a connection. Will return an error if the device has already connected.
接続処理を中断します。デバイスがすでに接続している場合 **error** が表示されます。

Request Parameters

None

Request Example

\$CCON<CRLF>

Response

ERR10x : NG

OK : SUCCESS

Response Parameters

None

Response example

None

2.65 Set Scan Parameters (SCS1)

Description

Set the desired scan parameters.

スキャンパラメータを設定します。

Request Parameters

Parameter Name	Value	Comments
Duration	4 – 32767	0.625ms units
Interval	8 – 65535	0.625ms units
Timeout	0 – 65535	10ms units

The scan interval must be at least 2x duration due to listening for Coded PHY during scanning.

Advertising mode の Coded PHY をスキャンする場合は、スキャン インターバルを Duration より少なくとも 2 倍以上に設定する必要があります。

Request Example

```
$SCS1:10:20:10<CRLF>
```

Response

ERR10x : NG

OK : SUCCESS

Response Parameters

None

Response example

None

EYSKJNAWB-WX

TAIYO YUDEN CO., LTD.

2.66 Get Scan Parameters (SCG1)

Description

Get the scan parameters on the device.

デバイスのスキャン パラメータ設定を取得します。

Request Parameters

None

Request Example

\$SCG1<CRLF>

Response

ERR10x : NG

OK : SUCCESS

Response Parameters

Parameter Name	Value	Comments
Duration	4 – 32767	0.625ms units
Interval	8 – 65535	0.625ms units
Timeout	0 – 65535	10ms units

Response example

\$SCG1:10:20:10<CRLF>

EYSKJNAWB-WX

TAIYO YUDEN CO., LTD.

2.67 Set Active Scan (SCS2)

Description

Enable/disable obtaining scan reports from advertisers.

アドタイジングを行っているデバイスからのスキャンレポートの取得の有効化/無効化を設定します。

Request Parameters

Parameter Name	Value	Comments
Enabled Flag	0 -> Not enabled	
	1 -> Enable	

Request Example

\$SCS2:0<CRLF>

Response

ERR10x : NG

OK : SUCCESS

Response Parameters

None

Response example

None

EYSKJNAWB-WX

TAIYO YUDEN CO., LTD.

2.68 Get Active Scan (SCG2)

Description

Get the set value for obtaining scan reports from advertisers.

アドタイジングを行っているデバイスからのスキャンレポートの取得設定を取得します。

Request Parameters

None

Request Example

\$SCG2<CRLF>

Response

ERR10x : NG

OK : SUCCESS

Response Parameters

Parameter Name	Value	Comments
Enabled Flag	0 -> Not enabled	
	1 -> Enable	

Response example

\$SCG2:1<CRLF>

2.69 Set Scan Filter Name (SCS3)

Description

Enables an optional software filter that requires the specified device name to be found in advertising or scan response PDUs in order for advertising events to be generated.

アドバタイジングイベントを生成するために、指定したデバイス名がアドバタイジングまたは Scan response PDU で検出されることを要求するオプションのフィルタを有効にします。

Request Parameters

Parameter Name	Value	Comments
Name	<=29 Characters	Devices must contain this exact name in their advertising / scanning PDUs to pass the filter デバイスはフィルタを通過するためにアドバタイジング / スキャンニング PDU 内に正確な名前が含まれてなければなりません。

Setting an empty parameter will disable the filter. Can be combined with the service filter, devices must have both fields in their PDU to clear the filter.

パラメータを空の状態を設定するとフィルタを無効化します。サービスフィルタと組み合わせることができます。フィルタをクリアするにはデバイスの PDU に両方のフィールドを持つ必要があります。

Request Example

```
$SCS3:Tysa·B<CRLF>
```

```
$SCS3:<CRLF>
```

Response

```
ERR10x : NG
```

```
OK : SUCCESS
```

Response Parameters

None

Response example

None

2.70 Get Scan Filter Name (SCG3)

Description

Get the name set that advertisers must have in their advertising/scan PDU to generate a report.

アドバタイジング / スキャン PDU に関するレポートを生成するためのデバイス名の設定情報を取得します。

Request Parameters

None

Request Example

\$SCG3<CRLF>

Response

ERR10x : NG

OK : SUCCESS

Response Parameters

Parameter Name	Value	Comments
Name	<=29 Characters	

Response example

\$SCG3:Tysa·B<CRLF>

2.71 Set Scan Filter Service (SCS4)

Description

Enables an optional software filter that requires the Taiyo Yuden 128 bit service UUID to be present in the advertising / scan PDUs. Devices not containing this field will not generate advertising report events. Can be combined with the name filter, devices must have both fields in their PDU to clear the filter.

128 ビットサービス UUID がアドバタイジング / スキャン PDU に対してソフトウェアのオプションフィルタを有効にします。このフィールドを含まないデバイスは、アドバタイジングレポートイベントを生成しません。サービスフィルタと組み合わせることができます。フィルタをクリアするにはデバイスの PDU に両方のフィールドを持つ必要があります。

Request Parameters

Parameter Name	Value	Comments
Enabled Flag	0 -> Disable Filter	
	1 -> Filter devices with service UUID in advertising	

Request Example

```
$SCS4:1<CRLF>
```

Response

```
ERR10x : NG
```

```
OK : SUCCESS
```

Response Parameters

None

Response example

None

EYSKJNAWB-WX

TAIYO YUDEN CO., LTD.

2.72 Get Scan Filter Service (SCG4)**Description**

Set a name that advertisers must have in their advertising/scan PDU to generate a report.
Service(UUID)を用いたスキャンフィルタの設定情報を取得します。

Request Parameters

None

Request Example

\$SCG4<CRLF>

Response

ERR10x : NG

OK : SUCCESS

Response Parameters

Parameter Name	Value	Comments
Enabled Flag	0 -> Disable Filter 1 -> Filter devices with service UUID in advertising アドバタイジングデータの service UUID フィルタを有効化	

Response example

\$SCG4:1<CRLF>

3.0 Events

Events that might be generated by the system depending on the status of the system.

イベント情報はシステムの状態に応じて通知が行われます。

3.1 Boot/Application Start (BOOT)

Description

Sent after application has booted from reset. The parameter shows the status of the boot.

リセット後にアプリケーションが起動したときに通知します。それぞれの起動状態のパラメータは以下の通りです。

Parameters

Parameter Name	Value	Comments
Status	DFLT -> Boot success with default settings. デフォルト設定での起動時に通知します。 OK -> Boot success with saved user settings ユーザー設定での起動時に通知します。 ERRx -> Error occurred during boot, application will use defaults, refer to error codes for reason 起動時に error が発生した時に通知します。アプリケーションはデフォルト設定が使用されます。Error の原因は Error code を参照してください	

Example

```
$EBOOT:DFLT<CRLF>
```

3.2 Advertising Start (ADVS)

Description

Advertising has started.

アドバタイジングを開始した時に通知します。

Parameters

None

Example

\$EADVS<CRLF>

3.3 Advertising Timeout (ADVT)

Description

Advertising has stopped after reaching the configured timeout.

アドバタイジング タイムアウトが発生し、アドバタイジングが停止した時に通知します。

Parameters

None

Example

\$EADVT<CRLF>

3.4 Scan Start (SCNS)

Description

Scanning has started.

スキャンを開始したときに通知します。

Parameters

None

Example

\$ESCNS<CRLF>

3.5 Scan Timeout (SCNT)

Description

Scanning has stopped after reaching the configured timeout.

スキャンタイムアウトが発生し、スキャンが停止した時に通知します。

Parameters

None

Example

\$ESCNT<CRLF>

3.6 Advertising Report (ADVR)

Description

An advertising device that passed the filter was discovered during scanning. This event will only occur once per device per scan. The number of unique devices that generate this event is limited (currently 30 per scan).

フィルタを通過したデバイスをスキャン中に検出し通知します。このイベントはスキャン中デバイスごとに1回行われます。このイベント通知が行われるデバイスの数には限りがあります。(1 Scanあたり 30 個)

Parameters

Parameter Name	Value	Comments
Address	BLE address of the advertiser アドバタイジングを行っているデバイスのアドレス	
RSSI	Signal strength 発信強度	
PHY1	The primary PHY used by the advertiser プライマリ PHY	1Mbps, Coded
PHY2	The secondary PHY used by the advertiser セカンダリ PHY	1Mbps, 2Mbps, Coded NA if the advertiser is not using extended features

Example

\$EADVR: CB19F3AA2C17:-28:1Mbps:Coded<CRLF>

3.7 Connection Requested (CONS)

Description

Scanning has started for the purpose of connection.

接続要求が実行されたときに通知します。

Parameters

None

Example

```
$ECONS<CRLF>
```

3.8 Connection Established (CONN)

Description

A connection was established. The parameter displays the address of the remote device.

接続が完了した時に通知します。パラメータは接続先デバイスのアドレスが表示されます。

Parameters

Parameter Name	Value	Comments
BLE Address		

Example

```
$ECONN:CB19F3AA2C17<CRLF>
```


3.9 Disconnection (DCON)

Description

The current connection was terminated. The parameter lists the reason code for the disconnection.

接続が切断した時に通知します。パラメータには、切断原因を識別するための Reason code が表示されます。

Parameters

Parameter Name	Value	Comments
Reason Code	refer to Bluetooth HCI status codes	Reason code は Bluetooth HCI status codes を参照してください

Example

\$EDCON:19<CRLF>

3.10 Flash Operation Status (SAVE)

Description

A save operation has ended. The status parameter tells the result of the operation.

SAVE コマンド処理が完了した時に通知します。パラメータに処理結果を表示します。

Parameters

Parameter Name	Value	Comments
Status	OK -> Flash operation completed successfully 書込みが正常に行われたときに通知します ERR -> Flash operation experienced an error. The user should retry the operation 書込み処理に問題が発生した時に通知します。再度処理を実行してください。	

Example

\$ESAVE:OK<CRLF>

3.11 Service Discovery (SDSC)

Description

Service discovery completed on the remote peripheral. The status parameter tells the result of the operation.

Service の検出が成功した時に通知します。パラメータは検出処理結果を表示します。

Parameters

Parameter Name	Value	Comments
Status	<p>OK -> The Taiyo Yuden service and characteristics were discovered on the device</p> <p>太陽誘電の Service と characteristics が検出されたときに通知します</p> <p>NG -> The remote device is not compatible. The Taiyo Yuden service/characteristics were not found</p> <p>太陽誘電の Service / characterisitics 情報が一致していないときに通知します。</p>	

Example

```
$ESDSC:OK<CRLF>
```

3.12 Connection Mode (MODE)

Description

Generated under two conditions.

以下の二つの条件下で Mode 移行ができます。

1. Notifications on the connected peripheral's characteristic 0003 are enabled/disabled
2. The mode select IO pin is toggled (only while notifications are enabled)

1. 接続したペリフェラル側の設定である Notification の characteristic 0003 が有効 / 無効
2. モード選択 IO ピンが切り替える(notifications が有効化しているときに限ります)

Refer to the Fictional Specification for information on the modes.

Mode 選択方法に関する情報は「FUNCTIONAL SPECIFICATION」を参照してください

Parameters

Parameter Name	Value	Comments
Mode	T -> Through Mode (Default) C -> Command Mode	

Example

```
$EMODE:T<CRLF>
```

3.13 Pairing (PAIR)

Description

Pairing status.

ペアリングの実行結果を通知します。

Parameters

Parameter Name	Value	Comments
Status	OK FAIL	

Example

```
$EPAIR:FAIL<CRLF>
```

3.14 Bonding (BOND)

Description

Total number of peers that have bonding information stored.

Bonding 登録数を通知します。

Parameters

Parameter Name	Value	Comments
Number of peers	1-8	

Example

```
$EBOND:2<CRLF>
```

3.15 Display PassKey (PSKD)

Description

Generated during pairing. The passkey is required to be displayed to the user. This passkey will need to be entered on the remote device to complete pairing.

passkey Entryに必要な passkey を通知します。ペアリングを行う際は、表示された passkey を対向機か送信してください。

Parameters

Parameter Name	Value	Comments
passkey	6 digits	

Example

```
$EPSKD: 010203<CRLF>
```

3.16 Confirm PassKey (PSKC)

Description

Generated during pairing. The passkey is required to be displayed to the user. The user is required to input confirmation that the passkey matches the passkey displayed on the remote device. See the PSKC API function.

Numeric Comparison の認証に必要な Passkey を通知します。ペアリングを行う際は 2.37 章 PSKC を参照してください。

Parameters

Parameter Name	Value	Comments
passkey	6 digits	

Example

```
$ PSKC:010203<CRLF>
```

3.17 Input PassKey (PSKI)

Description

Generated during pairing. The user is required to input a 6 digit passkey using the PSKI API function. The remote device is responsible for displaying the passkey required for input.

passkey Entry に必要な passkey の入力時に通知します。この通知が表示された場合、対向機に表示されている passkey を入力してください。入力方法は 2.36 章 PSKI API function を参照してください。

Parameters

None

Example

```
$EPSKI<CRLF>
```

3.18 Out-of-band Key Exchange (OOBD)

Description

Generated during pairing. The key-pair must be provided to the remote device through an external means of communication. The corresponding key-pair from the remote device must be input using the OOBD API function.

OOB(out of band)ペアリングが要求されたときに通知します。ユーザーは BLE 接続以外の方法で対向機となるデバイスから認証に必要な random value と confirm value を入力する必要があります。表示された key-pair を入力してください。入力方法は 2.29 章 OOBD API function を参照してください。

Parameters

Parameter Name	Value	Comments
Value	32 ascii-format hex characters	
Confirm Value	32 ascii-format hex characters	

Example

```
$EOOBD:1321A54F896BBC3E84C4ABB3D9C368EF:CF3AB24856EC32BA47E5B6C98799DADB<
CRLF>
```

3.19 Data Transmit Complete (BTTX)

Description

Generated when data is sent over BLE when the device is in command mode.

デバイスが Command mode であるとき BLE 接続後データ送信を行った時に通知します。

Parameters

None

Example

\$EBTTX<CRLF>

3.20 Data Received (BTRX)

Description

Generated when data is received over BLE when the device is in command mode.

デバイスが Command Mode で BLE 接続後にデータ受信を行ったときに通知します。

Parameters

Parameter Name	Value	Comments
Length	0-20	
Data	characters	

Example

\$EBTRX:6:Tysa·B<CRLF>

3.21 Low Power Mode Enabled (PWRL)

Description

Generated when the module enters power-save mode. While this mode is active, the UART interface will be unable to receive data. Data may still be transmitted from the module (events, reception of BLE data).

モジュールが PowerSave モードに入ると通知します。このモードがアクティブな間、UART インターフェースはデータを受信できません。データに関してはモジュールから送信される可能性があります（イベント、BLE データの受信）。

Parameters

NA

Example

```
$EPWRL<CRLF>
```

3.22 Low Power Mode Disabled (PWRH)

Description

Generated when the module exits power-save mode. Full UART transmission and reception will be available.

モジュールが PowerSave モードを終了すると通知します。UART 送受信が可能になります。

Parameters

NA

Example

```
$EPWRH<CRLF>
```


4.0 Error Codes

The table below lists the error codes that may be produced during use of the TY's app 5.0 application firmware.

以下の表は、TY's app 5.0 アプリケーションファームウェアの使用中に発生する可能性があるエラーコードの一覧です。

Code	Error	Description
ERR101	PARAM_COUNT	Incorrect number of input parameters supplied to an API command API コマンドに入力された入力パラメータの数が正しくない場合
ERR102	PARAM_VALUE	An invalid value was supplied to an API function 無効な値がパラメータとして入力した場合
ERR103	PARAM_LENGTH	The length of an input argument is invalid パラメータの入力引数の長さが無効
ERR104	INVALID_STATE	The device is in an invalid state for the requested operation デバイスは要求された操作に対して無効な状態です <ul style="list-style-type: none"> - Attempting to modify a configuration setting while the device is advertising/scanning/connected - デバイスがアドバタイジング/スキャン/接続 中に設定変更をしようとした場合 - Attempting to send BLE data while notifications are not enabled or no BLE connection is established - notification が無効、またはBLE 接続が行われていないときにBLE data を送信しようとした場合 - Attempting to scan/connect while the device is set to peripheral mode, or advertise from central mode <ul style="list-style-type: none"> - パリフェラルの状態でスキャン/接続を行う、またはセントラルの状態でアドバタイジングを行う場合
ERR105	UNKNOWN_COMMAND	An invalid function code was supplied 無効なコマンドを実行した場合
ERR106		

EYSKJNAWB-WX

TAIYO YUDEN CO., LTD.

ERR107	INTERNAL	A software error occurred ソフトウェア error が発生した場合
ERR108	SECURITY_LEVEL	The device is busy performing another operation デバイスがbusy状態で別の操作を実行 <ul style="list-style-type: none"> - Attempting to set a security level (3+) that requires MITM without setting appropriate IO capabilities - IO capability を設定せずにMITMを必要とするセキュリティレベル (3+) を設定しようとする場合 - Attempting to set IO capabilities to NONE while the security level requires MITM (3+) - MITM を必要とするセキュリティレベル (3+) を設定中に IO capability を NONE に設定しようとする場合
ERR109	BUSY	The device is busy performing another operation デバイスがbusy状態で別の操作を実行 <ul style="list-style-type: none"> - SEND commands while BLE transmit buffers are full - BLE transmit bufferがfullの状態ではSENDコマンドを実行する場合 - Performing a flash based operation (SAVE) while another is in progress - 何らかの処理を実行中に SAVE コマンドを実行する場合
ERR110	NOT_SUPPORTED	The API function is not available on this board. 使用中のボードで API 機能が利用できない場合 <ul style="list-style-type: none"> - Example includes writing to SD card when using EYSKJN model as SPI features are not available. - 例： EYSKJN モデルでは SPI 機能が使用できないため、SD カードへの書き込みを行う API コマンドを行おうとした場合

TAIYO YUDEN CO., LTD.

その他、注意事項について (Precautions)

- 弊社製品のご使用に際しては、使用する機器に実装された状態および実際の使用環境での評価および確認を必ず行ってください。
- 当仕様書に記載の製品は、一般的な電子機器【AV機器、OA機器、家電製品、事務機器、情報・通信機器（携帯電話、パソコンなど）】で使用されることを意図されています。したがって、生命または身体に直接危害を及ぼす可能性のある機器【輸送用機器（自動車駆動制御装置、列車制御装置、船舶制御装置など）、交通用信号機器、防災機器、医療機器（国際分類クラスⅠ、Ⅱ、Ⅲ）、公共性の高い情報通信機器（電話交換機、電話・無線・放送などの基地局）】などへのご使用をご検討の場合は、必ず事前に弊社までお問い合わせをお願いします。
また、高度の安全性や信頼性が求められる機器【宇宙用機器、航空用機器、医療機器（国際分類クラスⅣ）、原子力用制御機器、海底用機器、軍事用機器など】につきましては、弊社製品をご使用されないようお願いします。
なお、一般的な電子機器においても安全性や信頼性の要求が高い機器、回路などに弊社製品をご使用になる場合には、十分な安全性評価を実施され、必要に応じて設計時に保護回路などを追加していただくことをお勧めします。
弊社の書面による事前の承諾を得ることなく、前述の弊社への問い合わせが必要な機器または弊社が使用を禁止する機器に当仕様書に記載の製品を使用したことによりお客様または第三者に生じた損害に関して、弊社は一切の責任を負いかねますのでご了承ください。
- 当仕様書に記載の情報は、製品の代表的動作・応用を説明するためのものであり、その使用に際して弊社および第三者の知的財産権その他の権利に対する保証または実施権の許諾を行うものではありません。
- 弊社製品の保証範囲につきましては、納入された弊社製品単体の保証に限られ、弊社製品の故障や瑕疵から誘発される損害に関して、弊社は一切の責任を負いかねますのでご了承ください。ただし、取引基本契約書、品質保証協定書など別途書面による契約が締結されている場合は、その内容にしたがって保証させていただきます。
- 当仕様書の記載内容につきましては、弊社の営業所・販売子会社・販売代理店（いわゆる「正規販売チャンネル」）からご購入いただいた弊社製品に適用します。上記以外からご購入いただいた弊社製品に関しては適用対象外とさせていただきますのでご了承ください。
- 輸出注意事項
当仕様書に記載の製品の一部には、輸出の際に「外国為替及び外国貿易法」並びに米国の輸出管理関連法規などの規制をご確認の上、必要な手続きをお取りいただく必要のある製品があります。ご不明な場合には弊社までお問い合わせください。
- Please conduct validation and verification of our products in actual condition of mounting and operating environment before using our products.
- The products listed in this specification are intended for use in general electronic equipment (e.g., AV equipment, OA equipment, home electric appliances, office equipment, information and communication equipment including, without limitation, mobile phone, and PC). Please be sure to contact TAIYO YUDEN for further information before using the products for any equipment which may directly cause loss of human life or bodily injury (e.g., transportation equipment including, without limitation, automotive powertrain control system, train control system, and ship control system, traffic signal equipment, disaster prevention equipment, medical equipment classified as Class I, II or III by IMDRF, highly public information network equipment including, without limitation, telephone exchange, and base station).
Please do not incorporate our products into any equipment requiring high levels of safety and/or reliability (e.g., aerospace equipment, aviation equipment, medical equipment classified as Class IV by IMDRF, nuclear control equipment, undersea equipment, military equipment).
When our products are used even for high safety and/or reliability-required devices or circuits of general electronic equipment, it is strongly recommended to perform a thorough safety evaluation prior to use of our products and to install a protection circuit as necessary.
Please note that unless you obtain prior written consent of TAIYO YUDEN, TAIYO YUDEN shall not be in any way responsible for any damages incurred by you or third parties arising from use of the products listed in this specification for any equipment requiring inquiry to TAIYO YUDEN or prohibited for use by TAIYO YUDEN as described above.
- Information contained in this specification is intended to convey examples of typical performances and/or applications of our products and is not intended to make any warranty with respect to the intellectual property rights or any other related rights of TAIYO YUDEN or any third parties nor grant any license under such rights.
- Please note that the scope of warranty for our products is limited to the delivered our products themselves and TAIYO YUDEN shall not be in any way responsible for any damages resulting from a fault or defect in our products. Notwithstanding the foregoing, if there is a written agreement (e.g., supply and purchase agreement, quality assurance agreement) signed by TAIYO YUDEN and your company, TAIYO YUDEN will warrant our products in accordance with such agreement.

HQ-BK-002_02

- The contents of this specification are applicable to our products which are purchased from our sales offices or authorized distributors (hereinafter “TAIYO YUDEN’s official sales channel”). Please note that the contents of this specification are not applicable to our products purchased from any seller other than TAIYO YUDEN’s official sales channel.
- Caution for Export
Some of our products listed in this specification may require specific procedures for export according to “U.S. Export Administration Regulations”, “Foreign Exchange and Foreign Trade Control Law” of Japan, and other applicable regulations. Should you have any questions on this matter, please contact our sales staff.