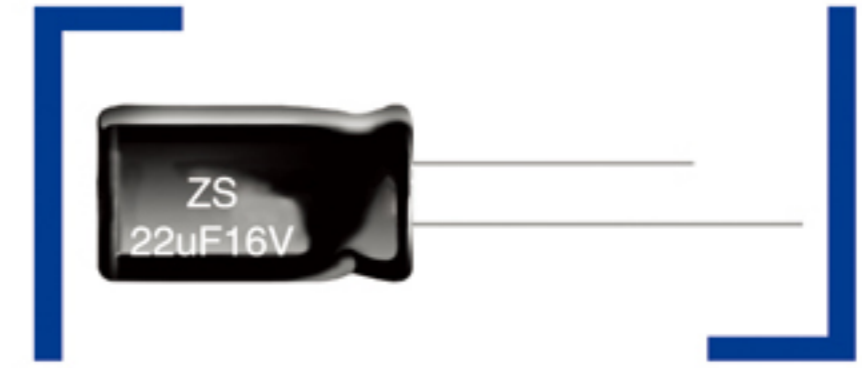


ZS 标准品

- ◎低阻抗，7(9) mm高度，宽工作温度
Low impedance, with 7(9)mm height, wide operating temperature range.
- ◎ROHS指令 (2002/95/EC) 已对应完毕。
Adapted to the ROHS directive (2002/95/EC).



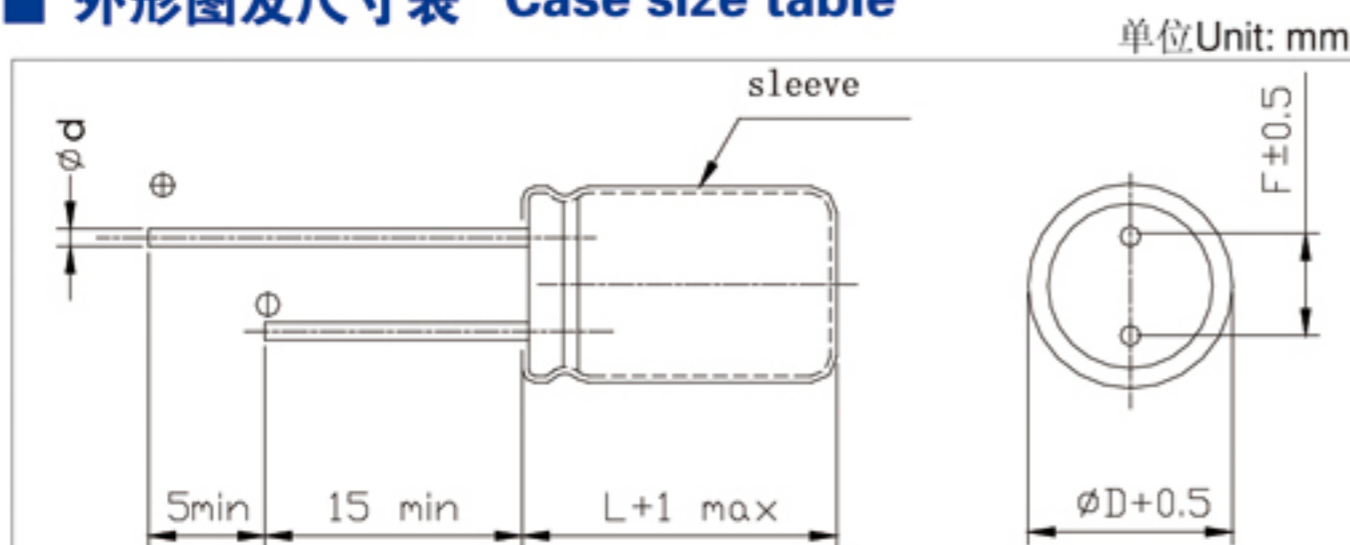
主要技术性能 Specifications

项目 Item	特性 Performance Characteristics																					
使用温度范围 Operating temperature range	-40 ~ +105℃																					
额定电压范围 Rated voltage range	6.3 ~ 50 V																					
标称电容范围 Nominal capacitance range	2.2~ 560 μ F																					
标称电容允许偏差 Capacitance tolerance	± 20% (120Hz, +20℃)																					
漏电流 Leakage current	$I \leq 0.01CV$ or $3(\mu A)$ 2分钟(at 20℃,after 2 minutes) 取较大者 (whichever is greater)																					
损耗角正切值 (tg δ) Dissipation factor (+20℃, 120Hz)	<table border="1"> <thead> <tr> <th>U_R (V)</th> <th>6.3</th> <th>10</th> <th>16</th> <th>25</th> <th>35</th> <th>50</th> </tr> </thead> <tbody> <tr> <td>tg δ</td> <td>0.18</td> <td>0.16</td> <td>0.14</td> <td>0.12</td> <td>0.10</td> <td>0.10</td> </tr> </tbody> </table>	U _R (V)	6.3	10	16	25	35	50	tg δ	0.18	0.16	0.14	0.12	0.10	0.10							
U _R (V)	6.3	10	16	25	35	50																
tg δ	0.18	0.16	0.14	0.12	0.10	0.10																
温度特性 Temperature Characteristics (Impedance ratio at 120Hz)	<table border="1"> <thead> <tr> <th>U_R (V)</th> <th>6.3</th> <th>10</th> <th>16</th> <th>25</th> <th>35</th> <th>50</th> </tr> </thead> <tbody> <tr> <td>Z-25℃ / Z+20℃</td> <td>2</td> <td>2</td> <td>2</td> <td>2</td> <td>2</td> <td>2</td> </tr> <tr> <td>Z-40℃ / Z+20℃</td> <td>10</td> <td>8</td> <td>8</td> <td>6</td> <td>5</td> <td>3</td> </tr> </tbody> </table>	U _R (V)	6.3	10	16	25	35	50	Z-25℃ / Z+20℃	2	2	2	2	2	2	Z-40℃ / Z+20℃	10	8	8	6	5	3
U _R (V)	6.3	10	16	25	35	50																
Z-25℃ / Z+20℃	2	2	2	2	2	2																
Z-40℃ / Z+20℃	10	8	8	6	5	3																
耐久性 Load life	+105℃加额定电压1000小时，恢复16小时后： After applying rated voltage for 1000 hours at +105℃ and then resumed 16 hours: 电容量变化率 Capacitance change : ±25%初始测量值以内 ±25% of the initial measured value 漏电流 Leakage current : ≤初始规定值 ≤the initial specified value 损耗角正切值 Dissipation factor : ≤2倍初始规定值数 ≤2times of the initial specified value																					
高温贮存 Shelf life	+105℃,1000小时贮存后,恢复16小时后： After storage for 1000 hours at +105℃ and then resumed for 16 hours : 电容量变化率 Capacitance change : ±25%初始测量值以内 ±25% of the initial measured value 漏电流 Leakage current : ≤2倍初始规定值 ≤2 times of the initial specified value 损耗角正切值 Dissipation factor : ≤2倍初始规定值数 ≤2 times of the initial specified value																					

频率修正系数 Frequency coefficient

Freq.(Hz)	120	1K	10K	100K
CAP(μF)				
~180	0.4	0.75	0.90	1
220~560	0.5	0.85	0.94	1

外形图及尺寸表 Case size table



D	4	5	6.3	8
F	1.5	2.0	2.5	3.5
d	0.45		0.5	

Miniature

尺寸 Dimensions

CAP(μF)		WV	6.3V(0J)			10V(1A)			16V(1C)		
			Size	ESR	Ripple	Size	ESR	Ripple	Size	ESR	Ripple
15	150							4x7	3.3	70	
22	220				4x7	3.3	70	5x7	1.7	120	
33	330		5x7	1.7	120	5x7	1.7	120	6.3x7	0.8	220
47	470		5x7	1.7	120	5x7	0.8	165	6.3x7	0.8	220
68	680		6.3x7	0.8	210	6.3x7	0.8	210	6.3x7	0.5	220
100	101		6.3x7	0.8	220	6.3x7	0.5	220	6.3x7	0.5	235
									8x7	0.5	345
150	151		6.3x7	0.5	220	6.3x7	0.5	220	6.3x7	0.5	235
220	221		8x7	0.5	345	6.3x7	0.5	240	8x7	0.45	360
						8x7	0.5	345			
330	331		8x7	0.4	360	8x7	0.4	360	8x9	0.38	380
470	471		8x7	0.4	380	8x9	0.35	380			
560	561		8x9	0.35	380	8x9	0.30	380			

CAP(μF)		WV	25V(1E)			35V(1V)			50V(1H)		
			Size	ESR	Ripple	Size	ESR	Ripple	Size	ESR	Ripple
2.2	2R2							5x7	1.0	120	
6.8	6R8					4x7	3.3	70			
10	100		4x7	3.3	70	4x7	1.8	70	5x7	1.0	120
			5x7	2.8	90	5x7	1.7	120			
15	150		5x7	1.7	120	6.3x7	0.8	220	6.3x7	0.8	220
22	220		5x7	1.7	120	6.3x7	0.8	220	6.3x7	0.75	220
33	330		6.3x7	0.8	210	6.3x7	0.5	220	8x7	0.70	320
47	470		6.3x7	0.5	220	6.3x7	0.48	220	8x7	0.68	345
68	680		6.3x7	0.5	220	8x7	0.45	310	8x7	0.65	345
100	101		8x7	0.45	345	8x7	0.40	345			
150	151		8x7	0.38	360						
220	221		8x9	0.40	380						

Size φD × L(mm)

Maximum Allowable Ripple Current (mA rms) at 105°C 100KHz

Maximum ESR (Ω) at 20°C 100KHz