

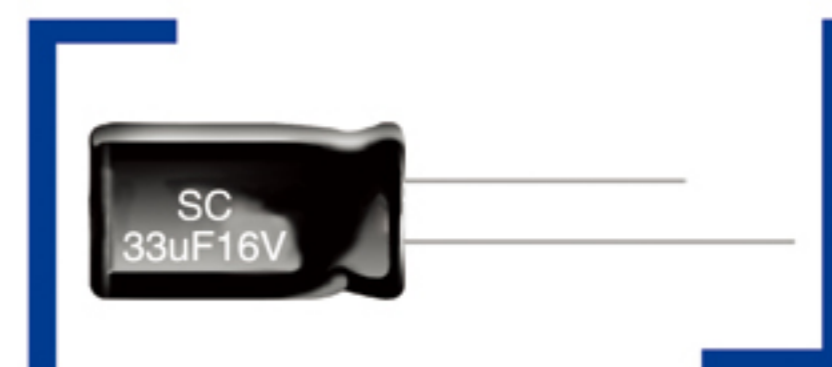
# SC 标准品

◎ 7 ( 9 ) mm高度，通用标准品。7(9) mm height, for general purpose, standard size

◎ 适用于汽车音响、TV、空调遥控器等电子线路中

Used in car audio, TV, air conditioners circuits remote device, etc.

◎ ROHS指令已对应完毕。Adapted to the ROHS directive.



## 主要技术性能 Specifications

项目 Item	特性 Performance Characteristics																								
使用温度范围 Operating temperature range	-40 ~ +85℃																								
额定电压范围 Rated voltage range	6.3 ~ 63 V																								
标称电容范围 Nominal capacitance range	0.1~ 470 μ F																								
标称电容允许偏差 Capacitance tolerance	± 20% (120Hz, +20℃)																								
漏电流 Leakage current	$I \leq 0.01CV$ or $3(\mu A)$ 2分钟(at 20℃,after 2 minutes) 取较大者 (whichever is greater)																								
损耗角正切值 (tg δ) Dissipation factor(+20℃, 120Hz)	<table border="1"> <thead> <tr> <th>U<sub>R</sub> (V)</th> <th>6.3</th> <th>10</th> <th>16</th> <th>25</th> <th>35</th> <th>50</th> <th>63</th> </tr> </thead> <tbody> <tr> <td>tg δ</td> <td>0.22</td> <td>0.20</td> <td>0.16</td> <td>0.14</td> <td>0.12</td> <td>0.10</td> <td>0.10</td> </tr> </tbody> </table>	U <sub>R</sub> (V)	6.3	10	16	25	35	50	63	tg δ	0.22	0.20	0.16	0.14	0.12	0.10	0.10								
U <sub>R</sub> (V)	6.3	10	16	25	35	50	63																		
tg δ	0.22	0.20	0.16	0.14	0.12	0.10	0.10																		
温度特性 Temperature Characteristics (Impedance ratio at 120Hz)	<table border="1"> <thead> <tr> <th>U<sub>R</sub> (V)</th> <th>6.3</th> <th>10</th> <th>16</th> <th>25</th> <th>35</th> <th>50</th> <th>63</th> </tr> </thead> <tbody> <tr> <td>Z-25℃ / +20℃</td> <td>4</td> <td>3</td> <td>2</td> <td>2</td> <td>2</td> <td>2</td> <td>2</td> </tr> <tr> <td>Z-40℃ / +20℃</td> <td>8</td> <td>6</td> <td>4</td> <td>4</td> <td>3</td> <td>3</td> <td>3</td> </tr> </tbody> </table>	U <sub>R</sub> (V)	6.3	10	16	25	35	50	63	Z-25℃ / +20℃	4	3	2	2	2	2	2	Z-40℃ / +20℃	8	6	4	4	3	3	3
U <sub>R</sub> (V)	6.3	10	16	25	35	50	63																		
Z-25℃ / +20℃	4	3	2	2	2	2	2																		
Z-40℃ / +20℃	8	6	4	4	3	3	3																		
耐久性 Load life	+85℃加额定电压1000小时，恢复16小时后： After applying rated voltage for 1000 hours at +85℃and then resumed for 16 hours: 电容量变化率 Capacitance change : ± 25%初始测量值以内 ± 25% of the initial measured value 漏 电 流 Leakage current : ≤初始规定值 ≤the initial specified value 损耗角正切值 Dissipation factor : ≤2倍初始规定值 ≤2times of the initial specified value																								
高温贮存 Shelf life	+85℃,1000小时贮存后,恢复16小时后： After storage for 1000 hours at +85℃ and then resumed for16 hours: 电容量变化率 Capacitance change : ± 25%初始测量值以内 ± 25% of the initial measured value 漏 电 流 Leakage current : ≤2倍初始规定值 ≤2times of the initial specified value 损耗角正切值 Dissipation factor : ≤2倍初始规定值 ≤2times of the initial specified value																								

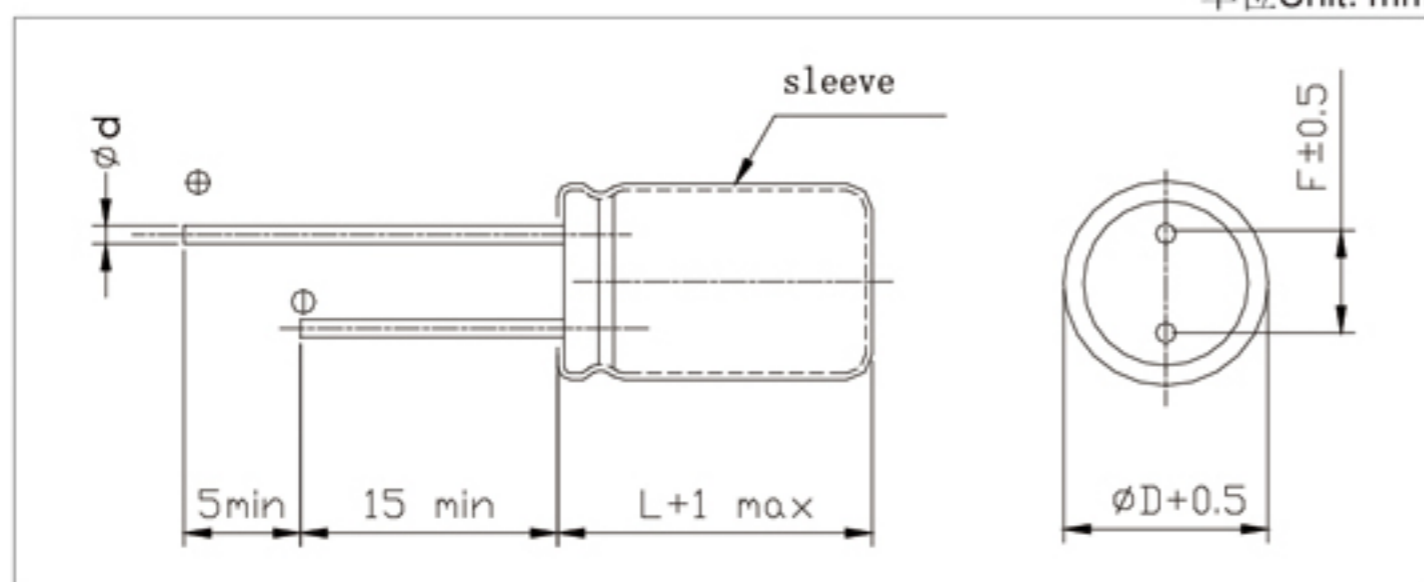
Miniature

## 频率修正系数 Frequency coefficient

F(Hz)	60	120	1K	≥10k
CAP(μF)				
0.1~68	0.8	1	1.3	1.5
100~470	0.8	1	1.15	1.2

## 外形图及尺寸表 Case size table

单位Unit: mm



D	4	5	6.3	8
F	1.5	2.0	2.5	3.5
d	0.45		0.5	

**尺寸 Dimensions**

CAP(μF)	WW	6.3V(0J)		10V(1A)		16V(1C)		25V(1E)		35V(1V)		50V(1H)		63V(1J)	
		Size	Ripple	Size	Ripple	Size	Ripple	Size	Ripple	Size	Ripple	Size	Ripple	Size	Ripple
0.1	0R1											4x7	1.2		
0.22	R22											4x7	2.5		
0.33	R33											4x7	3.5		
0.47	R47											4x7	5.0		
1	010					4x7	7					4x7	10	4x7	12
2.2	2R2									4x7	13	4x7	17	4x7	18
3.3	3R3							4x7	13	4x7	18	4x7	23	5x7	25
4.7	4R7					4x7	16	4x7	20	4x7	22	4x7	24	5x7	26
10	100			4x7	21	4x7	28	4x7	30	4x7	31	5x7	34	6.3x7	48
										5x7	33	6.3x7	45		
22	220	4x7	35	4x7	36	4x7	40	5x7	50	6.3x7	55	6.3x7	58		
		4x7	40	4x7	43	4x7	45	5x7	52	6.3x7	65	6.3x7	53		
33	330					5x7	55			8x7	75	8x7	80		
												8x9	90		
47	470	4x7	44	4x7	51	5x7	65	5x7	45	6.3x7	68	8x9	100		
				5x7	58	6.3x7	75	6.3x7	70	8x7	90				
100	101	5x7	75	5x7	80	6.3x7	95	6.3x7	75	8x7	120				
								8x7	115						
								8x9	126						
220	221	6.3x7	120	6.3x7	135	8x7	160								
						8x9	180								
330	331	8x7	160	8x7	180	8x7	180								
		8x9	176	8x9	198										
470	471	8x7	180	8x7	185										
		8x9	198	8x9	203										

Size φ D × L(mm)

Maximum Allowable Ripple Current (mA rms) at 85°C 120Hz