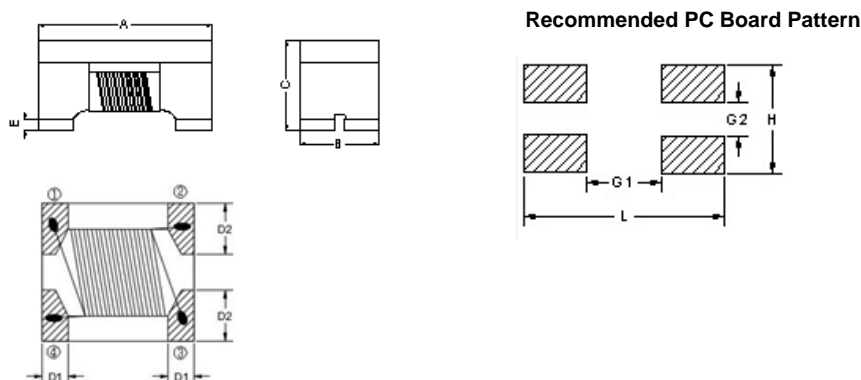


## 1. Features

1. High common mode impedance at high frequency effects excellent noise suppression performance.
2. DCM3532F2SV series realizes small size and low profile. 3.5x3.2x2.3mm
3. 100% Lead(Pb) & Halogen-Free and RoHS compliant.
4. Operating temperature-40~+85℃ (Including self - temperature rise)
5. High reliability -Reliability tests comply with AEC-Q200



## 2. Dimension



Series	A(mm)	B(mm)	C(mm)	D1(mm)	D2(mm)	L(mm)	H(mm)	G1(mm)	G2(mm)
3532F2SV	3.5±0.2	3.2±0.2	2.3±0.2	0.63±0.1	1.18±0.1	4.40	3.80	2.45	0.90

Units: mm

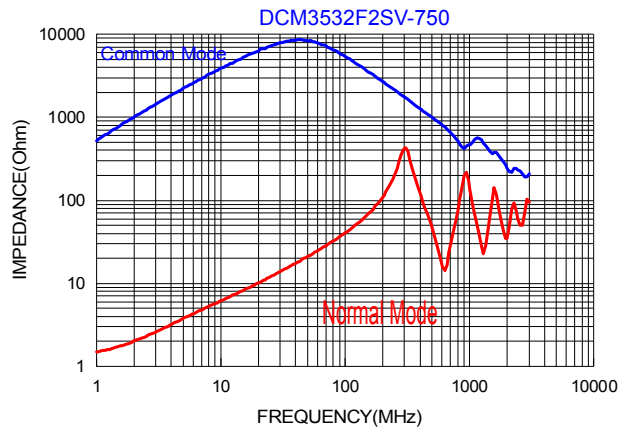
## 3. Part Numbering

DCM 3532 F 2 S V - 750 - T03  
 A B C D E F G H

A: Series  
 B: Dimension  
 C: Material Ferrite Core  
 D: Number of Lines 2=2 lines  
 E: Type S=Shielded  
 F: Category Code V=Vehicle  
 G: Inductance 750=75  $\mu$ H  
 H: Rated Current 03=300mA

## 4. Specification

TAI-TECH Part Number	Inductance( $\mu$ H) [100kHz/0.1V] Min.	DC Resistance ( $\Omega$ )Max.	Rated Current (mA)	Rated Volt. (Vdc)	Withstand Volt. (Vdc) max.	IR( $\Omega$ ) min.
DCM3532F2SV-750T03	75	0.8	300	50	125	10M

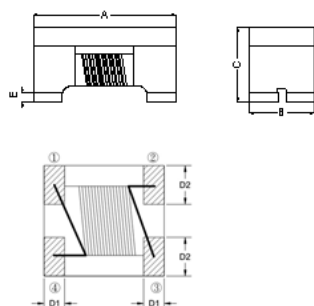


## 1. Features

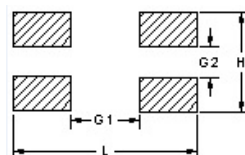
1. High common mode impedance at high frequency effects excellent noise suppression performance.
2. DCM321620F2SV series realizes small size and low profile.
3. 100% Lead(Pb) & Halogen-Free and RoHS compliant.
4. High reliability -Reliability tests comply with AEC-Q200
5. Operating temperature-40~+85°C (Including self - temperature rise)



## 2. Dimension



### Recommended PC Board Pattern



Series	A(mm)	B(mm)	C(mm)	D1(mm)	D2(mm)	E(mm)	L(mm)	H(mm)	G1(mm)	G2(mm)
321620F2SV	3.4±0.2	1.6±0.2	2.0±0.2	0.64±0.1	0.66±0.1	0.12 (typ.)	3.7	1.7	2.3	0.5

Units: mm

## 3. Part Numbering



A: Series	
B: Dimension	
C: Material	Ferrite Core
D: Number of Lines	2=2 lines
E: Type	S=Shielded , N=Unshielded
F: Category Code	V=Vehicle
G: Inductance	600=60uH
H: Packaging	T=Taping and Reel
I: Rated Current	02=200mA

## 4. Specification

TAI-TECH Part Number	Inductance(uH) [100kHz/0.1V] Min.	Capacitance (pF)Max	DC Resistance (Ω)Max.	Rated Current (mA)	Rated Volt. (Vdc)	Withstand Volt. (Vdc) max.	IR(Ω) min.
DCM321620F2SV-600T02	60	18	1.7	200	50	125	10M

