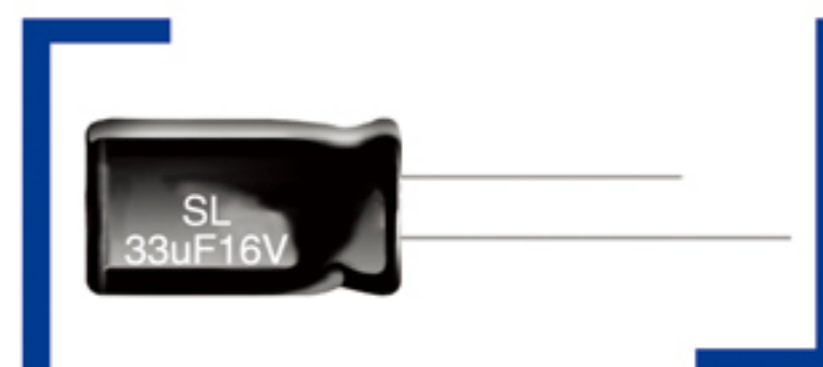


SL 标准品

- ◎7mm高，微型体积。Be 7mm in height and mini-size
- ◎为VTRs、汽车音响、汽车立体声、微型收录机、微型计算器等设计。
Designed for use in VTRs, car radios, car stereos, micro-cassette tape recorders, pocket calculators and watches.
- ◎ROHS指令已对应完毕。Adapted to the ROHS directive.



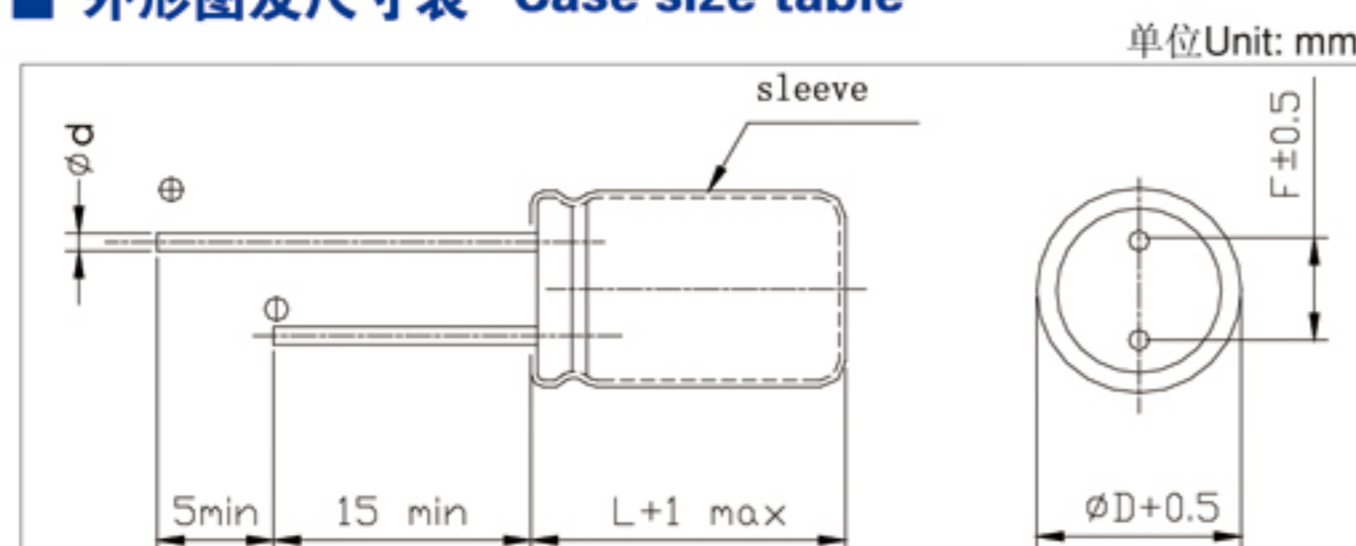
主要技术性能 Specifications

项目 Item	特性 Performance Characteristics																					
使用温度范围 Operating temperature range	-40 ~ +85°C																					
额定电压范围 Rated voltage range	6.3 ~ 50 V																					
标称电容范围 Nominal capacitance range	0.1 ~ 470 μ F																					
标称电容允许偏差 Capacitance tolerance	± 20% (120Hz, +20°C)																					
漏电流 Leakage current	$I \leq 0.01CV$ or $3(\mu A)$ 2分钟(at 20°C, after 2 minutes) 取较大者 (whichever is greater)																					
损耗角正切值 (tg δ) Dissipation factor(+20°C, 120Hz)	<table border="1"> <thead> <tr> <th>U_R (V)</th> <th>6.3</th> <th>10</th> <th>16</th> <th>25</th> <th>35</th> <th>50</th> </tr> </thead> <tbody> <tr> <td>tg δ</td> <td>0.22</td> <td>0.20</td> <td>0.16</td> <td>0.14</td> <td>0.12</td> <td>0.10</td> </tr> </tbody> </table>	U _R (V)	6.3	10	16	25	35	50	tg δ	0.22	0.20	0.16	0.14	0.12	0.10							
U _R (V)	6.3	10	16	25	35	50																
tg δ	0.22	0.20	0.16	0.14	0.12	0.10																
温度特性 Temperature Characteristics (Impedance ratio at 120Hz)	<table border="1"> <thead> <tr> <th>U_R (V)</th> <th>6.3</th> <th>10</th> <th>16</th> <th>25</th> <th>35</th> <th>50</th> </tr> </thead> <tbody> <tr> <td>Z-25°C / +20°C</td> <td>4</td> <td>3</td> <td>2</td> <td>2</td> <td>2</td> <td>2</td> </tr> <tr> <td>Z-40°C / +20°C</td> <td>8</td> <td>6</td> <td>4</td> <td>4</td> <td>3</td> <td>3</td> </tr> </tbody> </table>	U _R (V)	6.3	10	16	25	35	50	Z-25°C / +20°C	4	3	2	2	2	2	Z-40°C / +20°C	8	6	4	4	3	3
U _R (V)	6.3	10	16	25	35	50																
Z-25°C / +20°C	4	3	2	2	2	2																
Z-40°C / +20°C	8	6	4	4	3	3																
耐久性 Load life	+85°C加额定电压2000小时，恢复16小时后： After applying rated voltage for 2000 hours at +85°C and then resumed for 16 hours: 电容量变化率 Capacitance change : ± 25%初始测量值以内 ± 25%of the initial measured value 漏 电 流 Leakage current : ≤初始规定值 ≤the initial specified value 损耗角正切值 Dissipation factor : ≤2倍初始规定值 ≤2times of the initial specified value																					
高温贮存 Shelf life	+85°C, 1000小时贮存后, 恢复16小时后： After storage for 1000 hours at +85°C and then resumed for 16 hours : 电容量变化率 Capacitance change : ± 25%初始测量值以内 ± 25%of the initial measured value 漏 电 流 Leakage current : ≤2倍初始规定值 ≤2times of the initial specified value 损耗角正切值 Dissipation factor : ≤2倍初始规定值 ≤2times of the initial specified value																					

频率修正系数 Frequency coefficient

F(Hz)	60	120	1K	≥10k
CAP(μF)				
0.1~68	0.8	1	1.3	1.5
100~470	0.8	1	1.15	1.2

外形图及尺寸表 Case size table



D	4	5	6.3	8
F	1.5	2.0	2.5	3.5
d	0.45		0.5	

■ 尺寸 Dimensions

CAP(μF)		WV		6.3V(0J)		10V(1A)		16V(1C)		25V(1E)		35V(1V)		50V(1H)	
		Size	Ripple	Size	Ripple	Size	Ripple	Size	Ripple	Size	Ripple	Size	Ripple	Size	Ripple
0.1	0R1													4x7	1.0
0.22	R22													4x7	2.3
0.33	R33													4x7	3.5
0.47	R47													4x7	5.0
1	010													4x7	10
2.2	2R2													4x7	19
3.3	3R3													4x7	24
4.7	4R7											4x7	24	4x7	28
10	100					4x7	28	4x7	28	4x7	28	4x7	31	5x7	38
22	220	4x7	34	4x7	35	4x7	39	4x7	39	5x7	48	5x7	52	6.3x7	58
33	330	4x7	40	4x7	43	4x7	45	4x7	45	5x7	58	6.3x7	80	8x7	75
						5x7	59							8x9	85
47	470	4x7	48	4x7	45	5x7	65	6.3x7	71	8x7	85	8x9	96	8x9	101
				5x7	49					8x9	96				
100	101	5x7	78	5x7	74	6.3x7	98	8x7	115	8x7	110	8x9	141		
				6.3x7	87	8x7	125	8x9	130						
220	221	6.3x7	120	6.3x7	138	8x7	140								
				8x7	145	8x9	186								
330	331	8x7	180	8x7	201										
		8x9	204												
470	471	8x7	215												
		8x9	243												

Size φ D × L(mm)

Maximum Allowable Ripple Current (mA rms) at 85°C 120Hz