







-  Magnetically Shielded
-  Low profile, Low DC resistance.
-  High current handling capacities.
-  PC, HDD, LCD-TV, Plasma-TV, DVD-recorder, and other Audeo-Visual equipment applications.
-  Custom inductance value or tolerance is available
-  RoHS compliant



**ELECTRICAL SPECIFICATION @ 25°C**

Part Number	Inductance (uH)	Inductance Tolerance (%)		Test Frequency (kHz)	DCR ( ) Max	Rated current (A) max <sup>2</sup>		Marking (XXX)
		M	N			Base on Inductance change	Base on temperature rise	
		SI12555N-6R0F	6			N/A	30%	
SI12555M-100F	10	20%	N/A	1	0.0258	3.4	4.3	100
SI12555M-150F	15	20%	N/A	1	0.0311	2.8	3.9	150
SI12555M-220F	22	20%	N/A	1	0.0406	2.3	3.4	220
SI12555M-330F	33	20%	N/A	1	0.0498	1.9	3.1	330
SI12555M-470F	47	20%	N/A	1	0.0742	1.6	2.5	470
SI12555M-680F	68	20%	N/A	1	0.0998	1.3	2.2	680
SI12555M-101F	100	20%	N/A	1	0.140	1.1	1.8	101
SI12555M-151F	150	20%	N/A	1	0.228	0.88	1.4	151
SI12555M-221F	220	20%	N/A	1	0.324	0.72	1.2	221
SI12555M-331F	330	20%	N/A	1	0.492	0.59	1	331
SI12555M-471F	470	20%	N/A	1	0.624	0.49	0.88	471
SI12555M-681F	680	20%	N/A	1	0.912	0.43	0.73	681
SI12555M-102F	1000	20%	N/A	1	1.344	0.34	0.6	102
SI12555M-152F	1500	20%	N/A	1	2.076	0.29	0.48	152

**Notes:**

1. Ordering Information: SI12555a - bbbFc.

SI12555 = Product Type.

a = Tolerance of Inductance (M = ±20%; N = ±30% ).

bbb = Inductance value in uH (i.e. 6R0 = 6.0uH; 220=22uH; 221 = 220uH; 152 = 1500uH ).

F = Internal Control Code.

c = Packaging Code (T = Tape & Reel Packaging in 13 inch Reel).

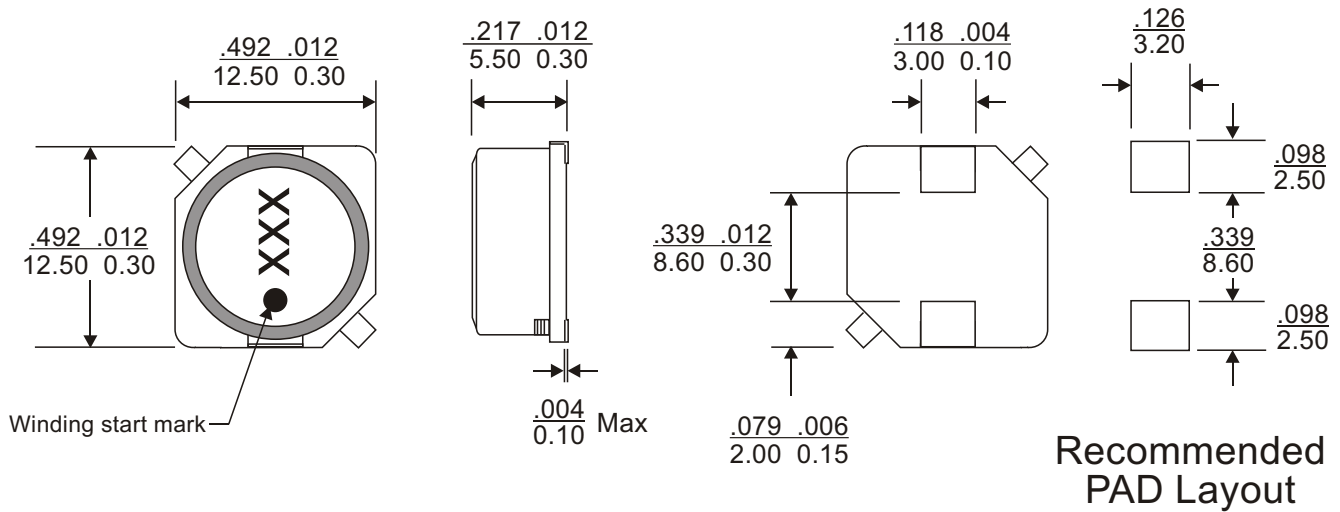
2. Rated Current: Value obtained when current flows and the temperature has risen to 40°C or when DC current flows and the initial value of inductance has fallen by 10%, whichever is smaller.

3. Operating temperature range: -40°C to +125°C.

4. The part temperature (ambient temperature + temperature rise) should not exceed the upper limit of the operating temperature under worst case operating conditions. Circuit design, component placement, PWB trace size and thickness, airflow and other cooling provisions all affect the part temperature. Part temperature should be verified in the end application.



**MECHANICAL DIMENSIONS**



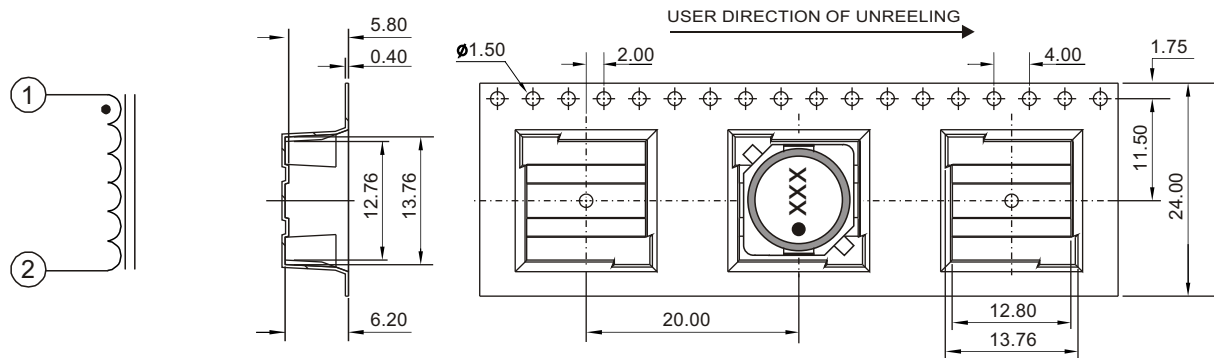
**Notes:**

- 5. All dimensions are specified in  $\frac{\text{inches}}{\text{mm}}$  with higher precedence in mm.
- 6. Unless otherwise specified, all tolerances are  $\pm \frac{.010}{0.25}$ .

Weight (in gram)	: 2.6 typ.
Tape & Reel	: 450 / reel

**SCHEMATIC**

**PACKAGING**



**FOR MORE INFORMATION, PLEASE CONTACT**

**HEADQUARTER**

1/F., Harbour View 1, No.12 Science Park East Avenue,  
Phase II, Hong Kong Science Park, Shatin, N.T.

Hong Kong

Tel: (852) 2954 3333 Fax: (852) 2954 3304

Email: eempl@eleceltek.com

Website: <http://www.eleceltek.com> / [www.eemagnetic.com](http://www.eemagnetic.com)

Information herein is for reference only and subject to change without notice. It does not constitute any representation, warranty or commitment of the company in respect of the products in any aspect. All logos, brands and product names mentioned herein are trademarks or registered trademarks of their respective owners. The company does not assume any liability arising out of the application or use of any product or circuit described herein. Copyrights 2009, E & E Magnetic Products Limited.