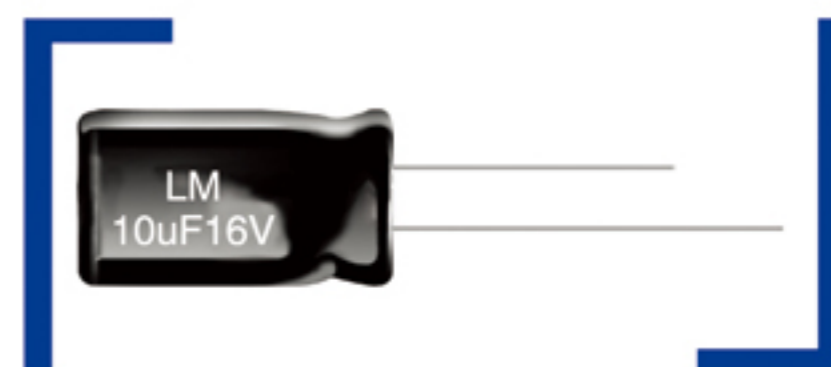


# LM 低漏电品

- ◎5mm高度，良好的低漏电特性  
5mmL,extremely low leakage current.
- ◎适用于高保真前置放大及电视振荡回路  
Used in HI-FI pre-amplifiers and TV oscillation loop circuits.
- ◎ROHS指令已对应完毕。Adapted to the ROHS directive



## 主要技术性能 Specifications

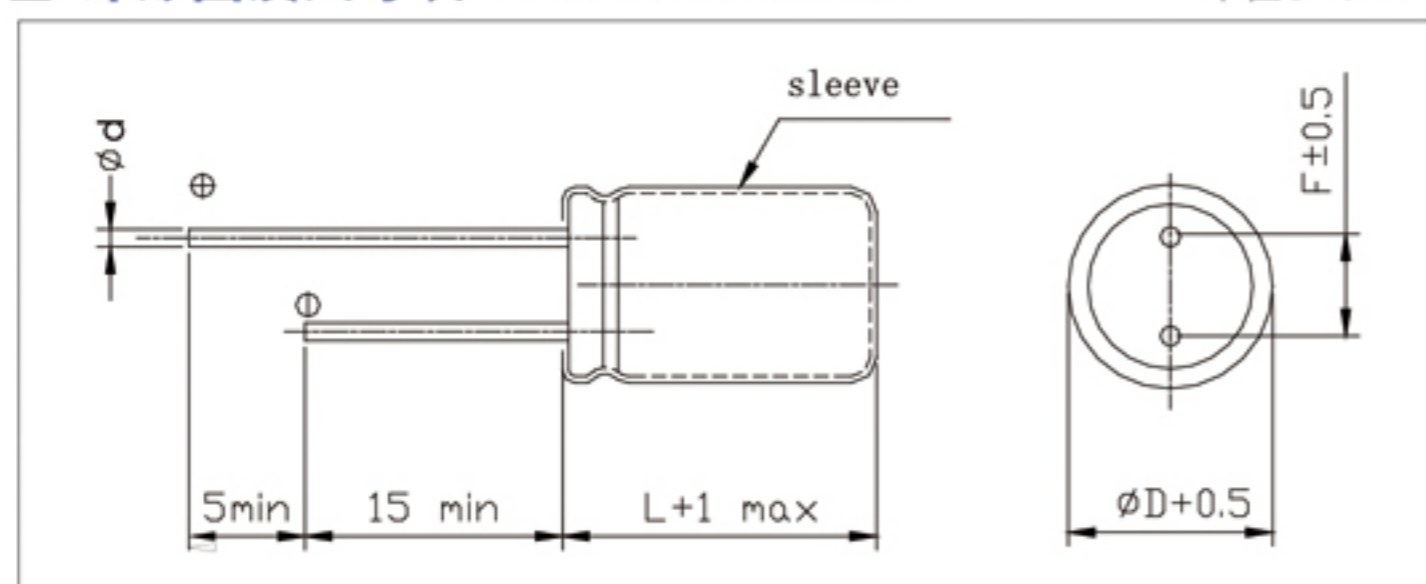
项目 Item	特性 Performance Characteristics																								
使用温度范围 Operating temperature range	-40 ~ +85℃																								
额定电压范围 Rated voltage range	6.3 ~ 63 V																								
标称容量范围 Nominal capacitance range	0.1~ 100 μ F																								
标称容量允许偏差 Capacitance tolerance	±20% (120Hz, +20℃)																								
漏电流 Leakage current	$I \leq 0.002CV$ or $0.4(\mu A)$ 2分钟 ( at 20℃,after 2 minutes ) 取较大者 ( whichever is greater )																								
损耗角正切值 (tg δ) Dissipation factor(+20℃, 120Hz)	<table border="1"> <thead> <tr> <th>U<sub>R</sub> (V)</th> <th>6.3</th> <th>10</th> <th>16</th> <th>25</th> <th>35</th> <th>50</th> <th>63</th> </tr> </thead> <tbody> <tr> <td>tg δ</td> <td>0.26</td> <td>0.22</td> <td>0.18</td> <td>0.16</td> <td>0.14</td> <td>0.12</td> <td>0.10</td> </tr> </tbody> </table>	U <sub>R</sub> (V)	6.3	10	16	25	35	50	63	tg δ	0.26	0.22	0.18	0.16	0.14	0.12	0.10								
U <sub>R</sub> (V)	6.3	10	16	25	35	50	63																		
tg δ	0.26	0.22	0.18	0.16	0.14	0.12	0.10																		
温度特性 Temperature Characteristics (Impedance ratio at 120Hz)	<table border="1"> <thead> <tr> <th>U<sub>R</sub> (V)</th> <th>6.3</th> <th>10</th> <th>16</th> <th>25</th> <th>35</th> <th>50</th> <th>63</th> </tr> </thead> <tbody> <tr> <td>Z-25℃ / +20℃</td> <td>4</td> <td>3</td> <td>2</td> <td>2</td> <td>2</td> <td>2</td> <td>2</td> </tr> <tr> <td>Z-40℃ / +20℃</td> <td>10</td> <td>8</td> <td>6</td> <td>4</td> <td>3</td> <td>3</td> <td>3</td> </tr> </tbody> </table>	U <sub>R</sub> (V)	6.3	10	16	25	35	50	63	Z-25℃ / +20℃	4	3	2	2	2	2	2	Z-40℃ / +20℃	10	8	6	4	3	3	3
U <sub>R</sub> (V)	6.3	10	16	25	35	50	63																		
Z-25℃ / +20℃	4	3	2	2	2	2	2																		
Z-40℃ / +20℃	10	8	6	4	3	3	3																		
耐久性 Load life	+85℃加额定电压1000小时，恢复16小时后： After applying rated voltage for 1000 hours at +85℃ and then resumed 16 hours: 电容量变化率 Capacitance change : ±25%初始测量值以内 Initial measured value 漏 电 流 Leakage current : ≤初始规定值 Initial specified value 损耗角正切值 Dissipation factor : ≤2倍初始规定值 2times Initial specified value																								
高温贮存 Shelf life	+85℃,1000小时贮存后,加额定工作电压处理30分钟,恢复16小时后： After storage for 1000 hours at +85℃ , U <sub>R</sub> to be applied for 30 minutes and then resumed 16 hours 电容量变化率 Capacitance change : ±25%初始测量值以内 Initial measured value 漏 电 流 Leakage current : ≤初始规定值 Initial specified value 损耗角正切值 Dissipation factor : ≤2倍初始规定值 2times of the Initial specified value																								

## 频率修正系数 Frequency coefficient

F(Hz)	60	120	1K	> 10k
CAP(μF)				
0.1~22	0.8	1	1.5	1.7
33~100	0.8	1	1.25	1.35

## 外形图及尺寸表 Case size table

单位Unit: mm



D	4	5	6.3
F	1.5	2.0	2.5
d	0.45		

**尺寸 Dimensions**

CAP(μF)	WV	6.3V(0J)		10V(1A)		16V(1C)		25V(1E)		35V(1V)		50V(1H)		63V(1J)	
		Size	Ripple	Size	Ripple	Size	Ripple	Size	Ripple	Size	Ripple	Size	Ripple	Size	Ripple
0.1	0R1													4x5	0.7
0.22	R22													4x5	1.3
0.33	R33													4x5	1.9
0.47	R47													4x5	2.7
1	010													4x5	5.5
2.2	2R2											4x5	8	4x5	9
3.3	3R3											4x5	10	5x5	11
4.7	4R7									4x5	11	4x5	12	5x5	13
10	100					4x5	14	4x5	15	5x5	18	5x5	20	6.3x5	22
22	220			4x5	19	5x5	22	5x5	25	6.3x5	28	6.3x5	31		
33	330	5x5	19	5x5	25	6.3x5	27	6.3x5	30	6.3x5	34				
47	470	5x5	22	5x5	30	6.3x5	34	6.3x5	38						
100	101	6.3x5	37	6.3x5	46										

Size φ D × L(mm)

Maximum Allowable Ripple Current (mA rms) at 85°C 120Hz