




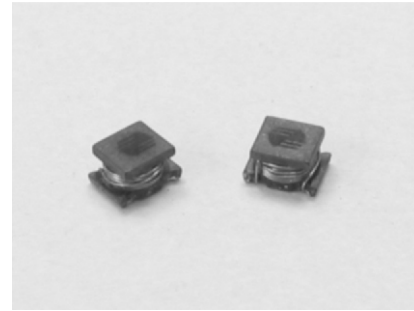


-  Suitable for DC/DC conversions in hard disk, VCR, or other electrical equipments.
-  High performance and small size for surface mounting applications
-  Unshielded and self-leaded design for pick and place handling
-  Inductance range from 0.12 to 10000 micro H
-  RoHS compliant



**ELECTRICAL SPECIFICATION @ 25°C**

Part Number	Inductance L (uH ±20%)	Test <sup>2</sup> Frequency (Hz)	SRF (MHz) Typ.	DCR ( ) Max	Rated DC Current (mA)	Marking (YYYY)
UISH5057M-R12F	0.12	1M	450	9.8m	6000	MR12
UISH5057M-R27F	0.27	1M	300	14.0m	5300	MR27
UISH5057M-R47F	0.47	1M	200	18.2m	4800	MR47
UISH5057M-1R0F	1.0	1M	150	26.6m	4000	M1R0
UISH5057M-1R5F	1.5	1M	110	30.8m	3700	M1R5
UISH5057M-2R2F	2.2	1M	80	40.6m	3200	M2R2
UISH5057M-3R3F	3.3	1M	40	50.4m	2900	M3R3
UISH5057M-4R7F	4.7	1M	30	57.4m	2700	M4R7
UISH5057M-6R8F	6.8	1M	25	0.104	2000	M6R8
UISH5057M-100F	10	1M	20	0.13	1700	M100
UISH5057M-150F	15	1M	17	0.21	1400	M150
UISH5057M-220F	22	1M	15	0.266	1200	M220
UISH5057M-330F	33	1M	12	0.448	900	M330
UISH5057M-470F	47	1M	10	0.56	800	M470
UISH5057M-680F	68	1M	7.6	0.94	640	M680
UISH5057M-101F	100	100k	6.5	1.204	560	M101
UISH5057M-151F	150	100k	5.0	2.66	420	M151
UISH5057M-221F	220	100k	4.0	3.36	320	M221
UISH5057M-331F	330	100k	3.1	6.16	270	M331
UISH5057M-471F	470	100k	2.4	7.56	240	M471
UISH5057M-681F	680	100k	1.9	11.34	190	M681
UISH5057M-102F	1000	10k	1.7	14.42	150	M102
UISH5057M-222F	2200	10k	1.2	30.1	100	M222
UISH5057M-472F	4700	10k	0.8	61.04	70	M472
UISH5057M-103F	10000	10k	0.5	140	50	M103

**Notes:**

1. Ordering Information: UISH5057a - bbbFc.

UISH5057 = Product Type.

a = Tolerance of Inductance (M = ±20%).

bbb = Inductance value in uH (i.e. R47 = 0.47uH; 4R7 = 4.7uH; 470 = 47uH; 471 = 470uH).

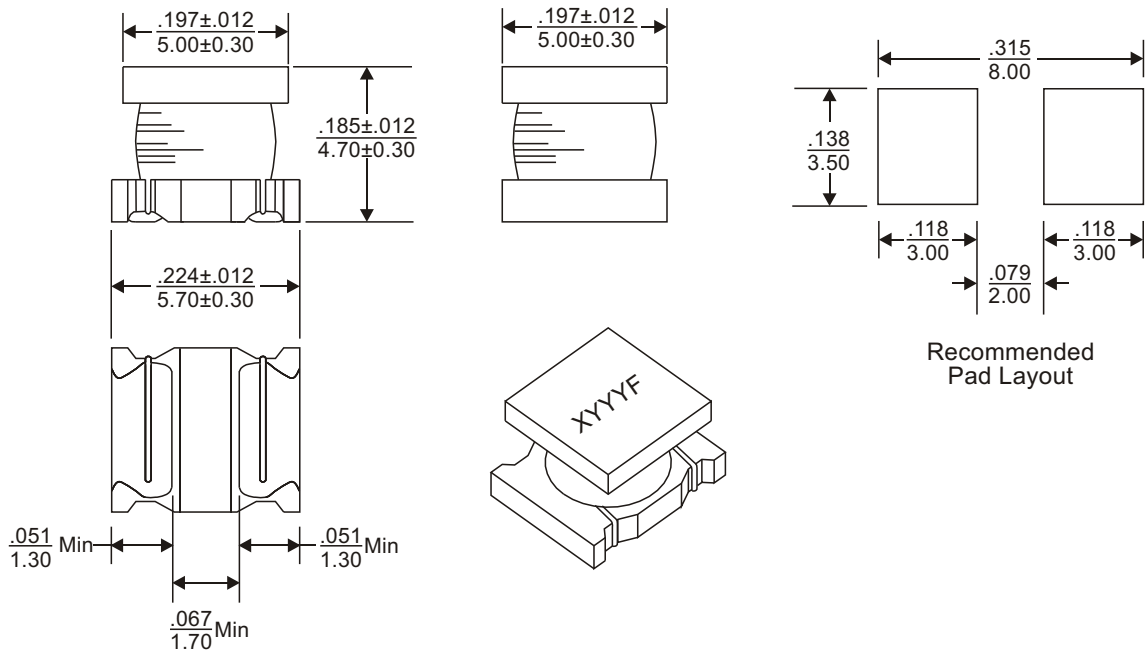
F = Internal Control Code.

c = Packaging Code (T = Tape & Reel Packaging in 13 inch Reel).

2. Test frequency is specified as the frequency for measuring the inductance.



**MECHANICAL DIMENSIONS**



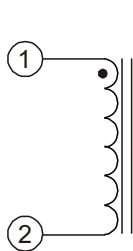
Recommended Pad Layout

**Notes:**

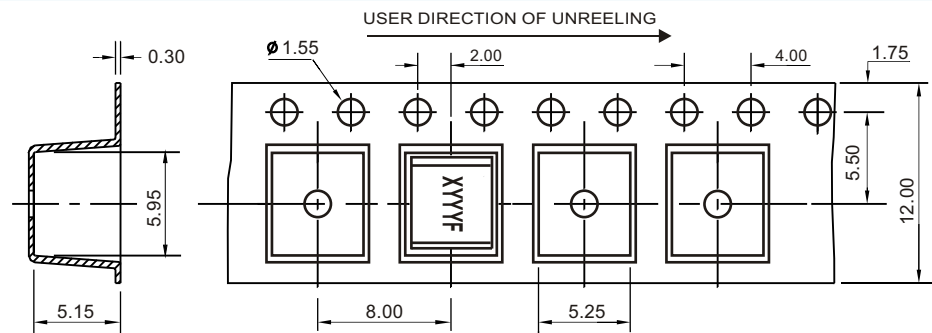
- Operating temperature range: -40°C to +125°C.
- The part temperature (ambient temperature + temperature rise) should not exceed the upper limit of the operating temperature under worst case operating conditions. Circuit design, component placement, PWB trace size and thickness, airflow and other cooling provisions all affect the part temperature. Part temperature should be verified in the end application.
- All dimensions are specified in  $\frac{\text{inches}}{\text{mm}}$  with higher precedence in mm.
- Unless otherwise specified, all tolerances are  $\pm \frac{.010}{0.25}$ .

Weight (in gram)	: 1.0 typ.
Tape & Reel	: 1400 / reel

**SCHEMATIC**



**PACKAGING**



**FOR MORE INFORMATION, PLEASE CONTACT**

**HEADQUARTER**

1/F., Harbour View 1, No.12 Science Park East Avenue,  
Phase II, Hong Kong Science Park, Shatin, N.T.

Hong Kong

Tel: (852) 2954 3333 Fax: (852) 2954 3304

Email: eempl@eleceltek.com

Website: <http://www.eleceltek.com> / [www.eemagnetic.com](http://www.eemagnetic.com)

Information herein is for reference only and subject to change without notice. It does not constitute any representation, warranty or commitment of the company in respect of the products in any aspect. All logos, brands and product names mentioned herein are trademarks or registered trademarks of their respective owners. The company does not assume any liability arising out of the application or use of any product or circuit described herein. Copyrights 2009, E & E Magnetic Products Limited.