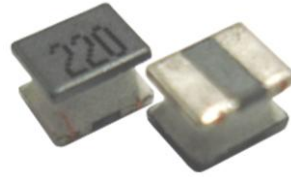


Chip Inductor AWVI Series

**Automotive
AEC-Q200**

RoHS Compliant
Halogen Free
REACH Compliant



- RF
Circuit
- Unshield
- Wire
Wound
- Ferrite
- General
Signal line

Part Numbering

A	WVI	00	322522	3R3	K	H0
Grade	Series Name	Control Code	Dimensions Code (mm)	Inductance (uH)	Tolerance	Internal Code
			322522 3.2x2.5x2.2	3R3 3.3 100 10 331 330	K ±10% J ±5%	

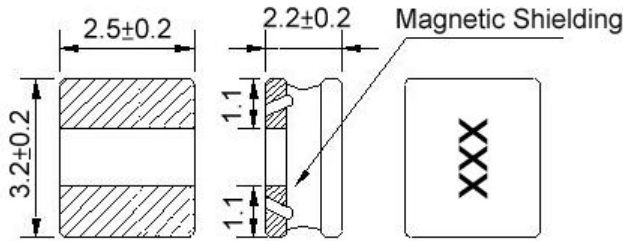
This specification applies to Wire Wound Chip Inductors for Automotive Electronics based on AEC-Q200 except for Power train and Safety.

Chip Inductor AWWI Series

Automotive
AEC-Q200

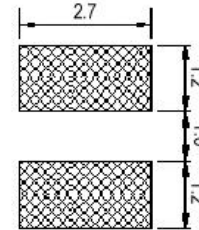
AWVI00322522 Type

■ Dimensions



unit:mm

■ Recommended Land Pattern



unit:mm

■ Electrical Characteristics

Part No.	Inductance (uH)	Test Freq. (MHz)	Q Min.	SRF (MHz)Min.	RDC (Ω)Max.	I _{rms} (mA)Max.	Tolerance (±%)	Marking
AWVI003225223R3JH0	3.3	7.96/2.52	10	45	0.18	770	5,10	3R3
AWVI003225224R7JH0	4.7	7.96/2.52	10	40	0.25	700	5,10	4R7
AWVI00322522100JH0	10	2.52/2.52	12	25	0.46	500	5,10	100
AWVI00322522220JH0	22	2.52/2.52	12	14	1.0	330	5,10	220
AWVI00322522330JH0	33	2.52/2.52	15	10	1.4	280	5,10	330
AWVI00322522470JH0	47	2.52/2.52	15	8.0	2.1	230	5,10	470
AWVI00322522331JH0	330	0.796/0.796	20	3.5	13	90	5,10	331
AWVI00322522471JH0	470	0.796/0.796	20	2.5	20	76	5,10	471
AWVI00322522681JH0	680	0.796/0.796	20	2.0	31	61	5,10	681
AWVI00322522102JH0	1000	100kHz/100kHz	10	1.5	40	60	5,10	102

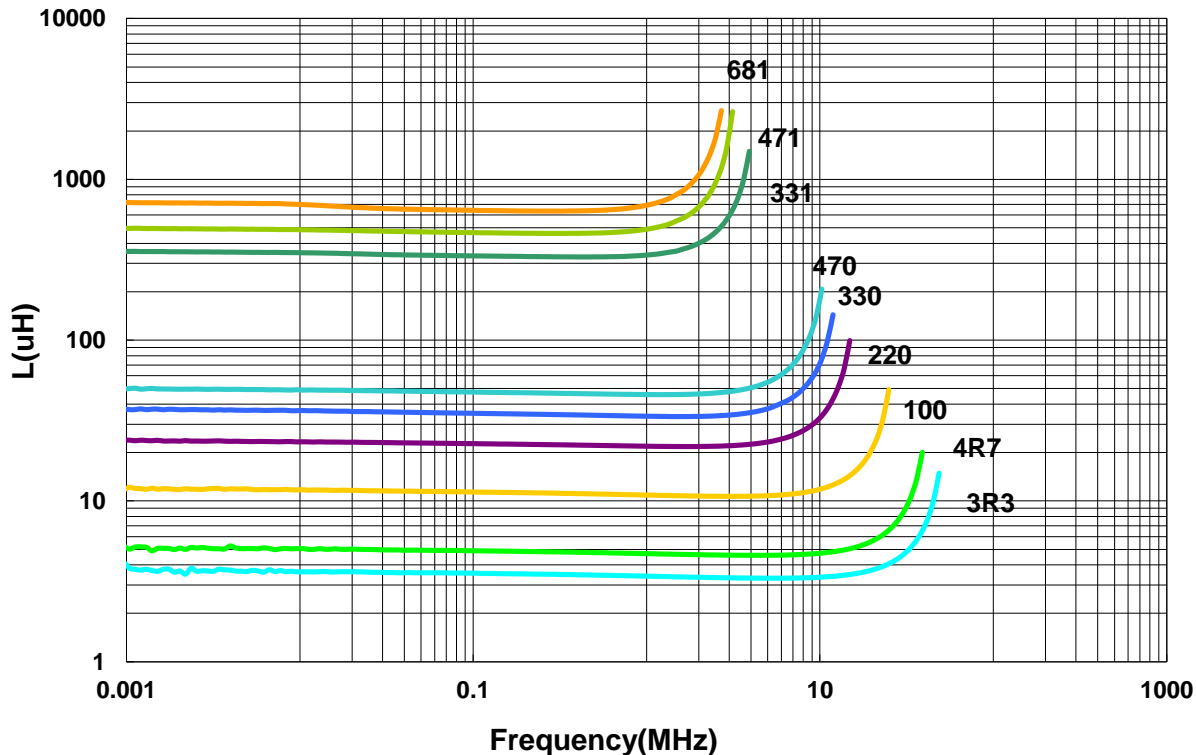
Note: When ordering, please specify tolerance code. Tolerance: J=±5% / K=±10%

- Operating temperature range - 40°C ~ 125°C
- I_{rms} for a 15°C temperature rise from 25°C ambient with current
- Measure Equipment:
L & Q: Agilent E4991A (over 1MHz)+Agilent HP16197A/Agilent HP4285A (under 1MHz)
SRF: Agilent E4991A+Agilent HP16197A or equivalent
RDC: DIGITAL MILLINHM METER CHROMA 16502
I_{rms}: HP4285A+HP42841A

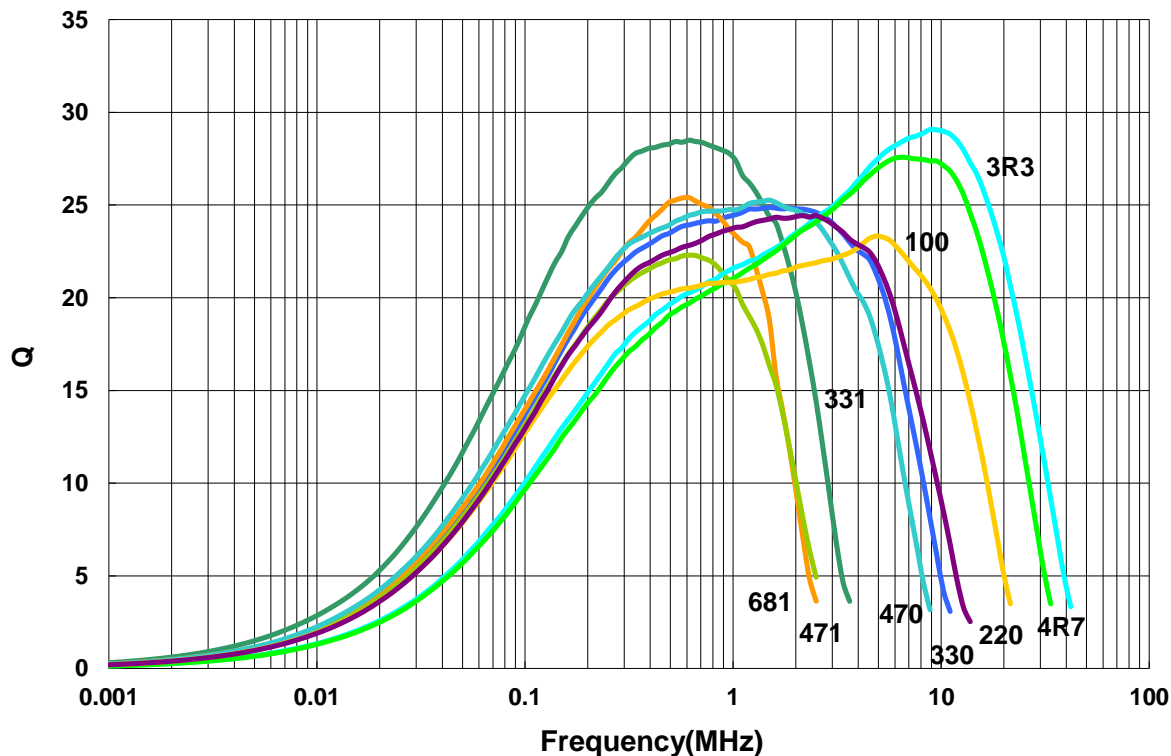
AWVI00322522 Type

■ Characteristics Graph

Inductance vs. Frequency Charactreistics



Frequency vs.Q

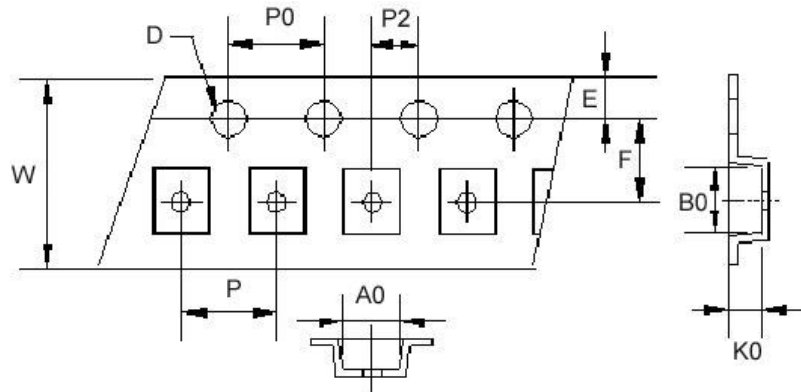


Chip Inductor AWVI Series

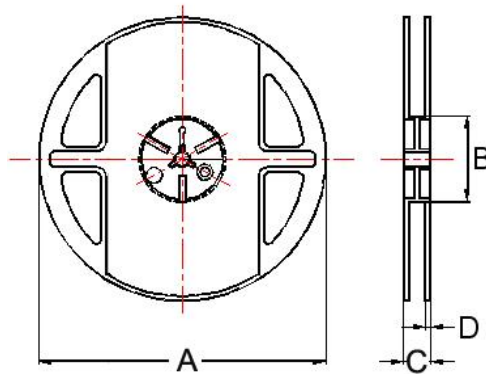
Automotive
AEC-Q200

■ Packaging

Tape Dimensions



Reel Dimensions



Dimensions in mm

TYPE	Tape Dimensions											Reel Dimensions				Quantity
	A0	B0	K0	D	E	F	W	P	P0	P2	A	B	C	D	PCS / Reel	
AWVI00322522	2.8	3.4	2.4	1.5	1.75	3.5	8	4	4	2	178	60	12	1.5	1000	