

BPXX Series



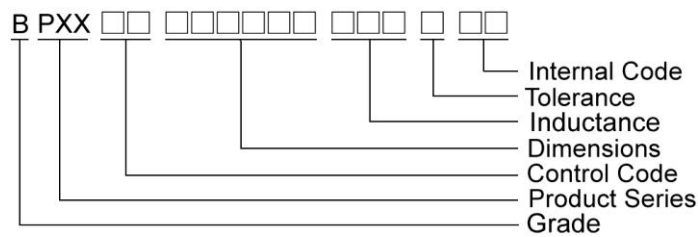
Features

- RoHS compliant
- Low Rdc and high saturation current for portable DC to DC converter line
- High magnetic shielding construction provides high resolution for EMC protection
- Support lead-free soldering

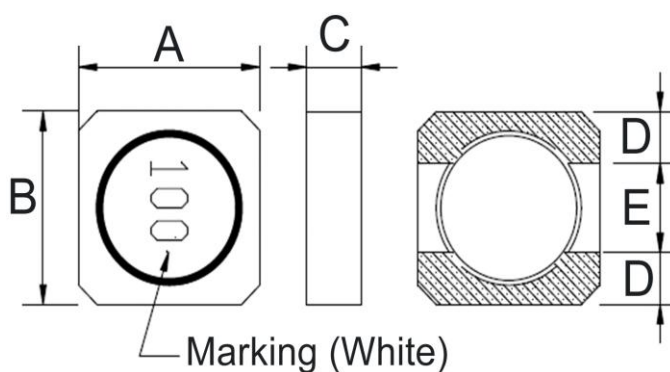
Applications

- Notebook PC
- Set top box
- LCD TV
- LCD displays
- Portable communication device
- DC/DC converters
- SSD
- Networking

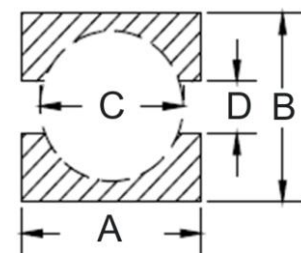
Product Identification



Shape and Dimensions



Recommended Pattern

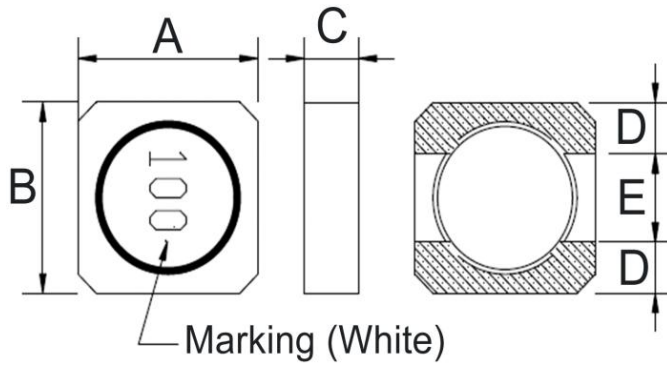


Dimensions in mm

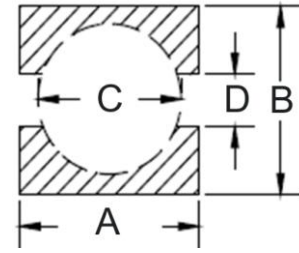
| TYPE | Shape and Dimensions | | | | | Recommended Pattern | | | |
|--------------|----------------------|---------|--------|-----|-----|---------------------|-----|-----|-----|
| | A | B | C | D | E | A | B | C | D |
| BPXX00030308 | 3.0±0.2 | 3.0±0.2 | 0.8Max | 0.9 | 1.2 | 3.3 | 3.3 | 2.2 | 1.0 |
| BPXX00030310 | 3.0±0.2 | 3.0±0.2 | 1.0Max | 0.9 | 1.2 | 3.3 | 3.3 | 2.2 | 1.0 |
| BPXX00030312 | 3.0±0.2 | 3.0±0.2 | 1.2Max | 0.9 | 1.2 | 3.3 | 3.3 | 2.2 | 1.0 |
| BPXX00030315 | 3.0±0.2 | 3.0±0.2 | 1.5Max | 0.9 | 1.2 | 3.3 | 3.3 | 2.2 | 1.0 |
| BPXX00030320 | 3.0±0.2 | 3.0±0.2 | 2.0Max | 0.9 | 1.2 | 3.3 | 3.3 | 2.2 | 1.0 |

SMD Shielded Power Inductors – BPXX Series

Shape and Dimensions



Recommended Pattern



Dimensions in mm

| TYPE | Shape and Dimensions | | | | | Recommended Pattern | | | |
|--------------|----------------------|---------|--------|------|-----|---------------------|-----|-----|-----|
| | A | B | C | D | E | A | B | C | D |
| BPXX00040412 | 4.0±0.2 | 4.0±0.2 | 1.2Max | 1.1 | 1.8 | 4.4 | 4.4 | 2.9 | 1.8 |
| BPXX00040418 | 4.0±0.2 | 4.0±0.2 | 1.8Max | 1.1 | 1.8 | 4.4 | 4.4 | 2.9 | 1.8 |
| BPXX00040420 | 4.0±0.2 | 4.0±0.2 | 2.0Max | 1.1 | 1.8 | 4.4 | 4.4 | 2.9 | 1.8 |
| BPXX00040430 | 4.0±0.2 | 4.0±0.2 | 3.0Max | 1.1 | 1.8 | 4.4 | 4.4 | 2.9 | 1.8 |
| BPXX00050515 | 5.0±0.2 | 5.0±0.2 | 1.5Max | 1.75 | 1.5 | 5.4 | 5.4 | 3.8 | 1.8 |
| BPXX00050530 | 5.0±0.2 | 5.0±0.2 | 3.0Max | 1.75 | 1.5 | 5.4 | 5.4 | 3.8 | 1.5 |
| BPXX00060620 | 6.0±0.2 | 6.0±0.2 | 2.0Max | 2.0 | 2.0 | 6.6 | 6.6 | 4.6 | 2.0 |
| BPXX00060625 | 6.0±0.2 | 6.0±0.2 | 2.5Max | 2.0 | 2.0 | 6.6 | 6.6 | 4.6 | 2.0 |
| BPXX00060630 | 6.0±0.2 | 6.0±0.2 | 3.0Max | 2.0 | 2.0 | 6.6 | 6.6 | 4.6 | 2.0 |
| BPXX00060635 | 6.0±0.2 | 6.0±0.2 | 3.5Max | 2.0 | 2.0 | 6.6 | 6.6 | 4.6 | 2.0 |

SMD Shielded Power Inductors – BPXX Series

Standard Specifications

| Part Number | Inductance (uH) | Tolerance (±%) | Test Frequency (kHz) | RDC (Ω)Max | Isat (A)Max | Irms (A)Typ | Marking |
|--------------------|-----------------|----------------|----------------------|------------|-------------|-------------|---------|
| BPXX000303081R0□00 | 1.0 | 30 | 100 | 0.125 | 1.4 | 1.3 | 1R0 |
| BPXX000303081R5□00 | 1.5 | 20,30 | 100 | 0.134 | 1.15 | 1.2 | 1R5 |
| BPXX000303082R2□00 | 2.2 | 20,30 | 100 | 0.175 | 0.95 | 1.1 | 2R2 |
| BPXX000303083R3□00 | 3.3 | 20,30 | 100 | 0.285 | 0.82 | 0.95 | 3R3 |
| BPXX000303084R7□00 | 4.7 | 20,30 | 100 | 0.35 | 0.70 | 0.8 | 4R7 |
| BPXX000303086R8□00 | 6.8 | 20,30 | 100 | 0.5 | 0.59 | 0.67 | 6R8 |
| BPXX00030308100□00 | 10 | 20,30 | 100 | 0.65 | 0.49 | 0.56 | 100 |
| BPXX00030308220□00 | 22 | 20,30 | 100 | 1.5 | 0.30 | 0.38 | 220 |
| BPXX00030308330□00 | 33 | 20,30 | 100 | 2.3 | 0.26 | 0.32 | 330 |

Note: When ordering, please specify tolerance code. Tolerance: M=±20% , T=±30%

- Operating temperature range - 40°C ~ 125°C(Including self - temperature rise)
- Isat for Inductance drop 30% from its value without current
- Irms for a 40°C temperature rise from 25°C ambient with current
- Rated DC Current : The less value which is Isat or Irms

SMD Shielded Power Inductors – BPXX Series

Standard Specifications

| Part Number | Inductance (uH) | Tolerance (±%) | Test Frequency (kHz) | RDC (Ω)Max | Isat (A)Max | Irms (A)Typ | Marking |
|--------------------|-----------------|----------------|----------------------|------------|-------------|-------------|---------|
| BPXX00030310R47□00 | 0.47 | 20,30 | 100 | 0.07 | 2.3 | 2.3 | R47 |
| BPXX00030310R56□00 | 0.56 | 20,30 | 100 | 0.08 | 2.0 | 2.0 | R56 |
| BPXX000303101R0□00 | 1.0 | 20,30 | 100 | 0.085 | 1.6 | 1.75 | 1R0 |
| BPXX000303101R2□00 | 1.2 | 20,30 | 100 | 0.10 | 1.5 | 1.7 | 1R2 |
| BPXX000303101R5□00 | 1.5 | 20,30 | 100 | 0.12 | 1.3 | 1.6 | 1R5 |
| BPXX000303101R8□00 | 1.8 | 20,30 | 100 | 0.15 | 1.2 | 1.4 | 1R8 |
| BPXX000303102R2□00 | 2.2 | 20,30 | 100 | 0.22 | 1.1 | 1.15 | 2R2 |
| BPXX000303103R3□00 | 3.3 | 20,30 | 100 | 0.22 | 0.82 | 1.05 | 3R3 |
| BPXX000303103R9□00 | 3.9 | 20,30 | 100 | 0.25 | 0.78 | 0.95 | 3R9 |
| BPXX000303104R7□00 | 4.7 | 20,30 | 100 | 0.33 | 0.72 | 0.80 | 4R7 |
| BPXX000303105R6□00 | 5.6 | 20,30 | 100 | 0.40 | 0.66 | 0.78 | 5R6 |
| BPXX000303106R8□00 | 6.8 | 20,30 | 100 | 0.45 | 0.62 | 0.74 | 6R8 |
| BPXX000303108R2□00 | 8.2 | 20,30 | 100 | 0.56 | 0.55 | 0.71 | 8R2 |
| BPXX00030310100□00 | 10 | 20,30 | 100 | 0.63 | 0.51 | 0.64 | 100 |
| BPXX00030310120□00 | 12 | 20,30 | 100 | 0.74 | 0.45 | 0.55 | 120 |
| BPXX00030310150□00 | 15 | 20,30 | 100 | 0.95 | 0.40 | 0.50 | 150 |
| BPXX00030310180□00 | 18 | 20,30 | 100 | 1.0 | 0.37 | 0.47 | 180 |
| BPXX00030310220□00 | 22 | 20,30 | 100 | 1.2 | 0.33 | 0.41 | 220 |
| BPXX00030310330□00 | 33 | 20,30 | 100 | 2.0 | 0.27 | 0.35 | 330 |
| BPXX00030310470□00 | 47 | 20,30 | 100 | 3.2 | 0.24 | 0.31 | 470 |

Note: When ordering, please specify tolerance code. Tolerance: M=±20% , T=±30%

- Operating temperature range - 40°C ~ 125°C(Including self - temperature rise)
- Isat for Inductance drop 30% from its value without current
- Irms for a 40°C temperature rise from 25°C ambient with current
- Rated DC Current : The less value which is Isat or Irms

SMD Shielded Power Inductors – BPXX Series

Standard Specifications

| Part Number | Inductance (uH) | Tolerance (±%) | Test Frequency (kHz) | RDC (Ω)Max | Isat (A)Max | Irms (A)Typ | Marking |
|--------------------|-----------------|----------------|----------------------|------------|-------------|-------------|---------|
| BPXX00030312R47□00 | 0.47 | 30 | 100 | 0.05 | 2.5 | 2.5 | R47 |
| BPXX000303121R0□00 | 1.0 | 30 | 100 | 0.08 | 1.8 | 1.8 | 1R0 |
| BPXX000303121R2□00 | 1.2 | 30 | 100 | 0.095 | 1.65 | 1.7 | 1R2 |
| BPXX000303121R5□00 | 1.5 | 30 | 100 | 0.11 | 1.5 | 1.65 | 1R5 |
| BPXX000303122R0□00 | 2.0 | 30 | 100 | 0.15 | 1.3 | 1.3 | 2R0 |
| BPXX000303122R2□00 | 2.2 | 30 | 100 | 0.15 | 1.3 | 1.3 | 2R2 |
| BPXX000303123R3□00 | 3.3 | 30 | 100 | 0.18 | 1.0 | 1.2 | 3R3 |
| BPXX000303124R7□00 | 4.7 | 20,30 | 100 | 0.28 | 0.85 | 1.05 | 4R7 |
| BPXX000303125R6□00 | 5.6 | 20,30 | 100 | 0.36 | 0.80 | 0.85 | 5R6 |
| BPXX000303126R8□00 | 6.8 | 20,30 | 100 | 0.42 | 0.75 | 0.70 | 6R8 |
| BPXX000303128R2□00 | 8.2 | 20,30 | 100 | 0.55 | 0.65 | 0.65 | 8R2 |
| BPXX00030312100□00 | 10 | 20,30 | 100 | 0.62 | 0.57 | 0.6 | 100 |
| BPXX00030312150□00 | 15 | 20,30 | 100 | 0.8 | 0.5 | 0.5 | 150 |
| BPXX00030312220□00 | 22 | 20,30 | 100 | 1.2 | 0.4 | 0.42 | 220 |

Note: When ordering, please specify tolerance code. Tolerance: M=±20% , T=±30%

- Operating temperature range - 40°C ~ 125°C(Including self - temperature rise)
- Isat for Inductance drop 30% from its value without current
- I rms for a 40°C temperature rise from 25°C ambient with current
- Rated DC Current : The less value which is Isat or I rms

SMD Shielded Power Inductors – BPXX Series

Standard Specifications

| Part Number | Inductance (uH) | Tolerance (±%) | Test Frequency (kHz) | RDC (Ω)Max | Isat (A)Max | Irms (A)Typ | Marking |
|--------------------|-----------------|----------------|----------------------|------------|-------------|-------------|---------|
| BPXX000303151R0□00 | 1.0 | 20,30 | 100 | 0.075 | 2.0 | 2.0 | 1R0 |
| BPXX000303151R5□00 | 1.5 | 20,30 | 100 | 0.10 | 1.8 | 1.7 | 1R5 |
| BPXX000303151R8□00 | 1.8 | 20,30 | 100 | 0.10 | 1.5 | 1.4 | 1R8 |
| BPXX000303152R1□00 | 2.1 | 20,30 | 100 | 0.11 | 1.5 | 1.4 | 2R1 |
| BPXX000303152R2□00 | 2.2 | 20,30 | 100 | 0.11 | 1.5 | 1.4 | 2R2 |
| BPXX000303153R3□00 | 3.3 | 20,30 | 100 | 0.13 | 1.3 | 1.4 | 3R3 |
| BPXX000303154R7□00 | 4.7 | 20,30 | 100 | 0.20 | 1.1 | 1.2 | 4R7 |
| BPXX000303156R8□00 | 6.8 | 20,30 | 100 | 0.30 | 0.91 | 0.90 | 6R8 |
| BPXX00030315100□00 | 10 | 20,30 | 100 | 0.44 | 0.65 | 0.75 | 100 |
| BPXX00030315150□00 | 15 | 20,30 | 100 | 0.70 | 0.55 | 0.59 | 150 |
| BPXX00030315180□00 | 18 | 20,30 | 100 | 0.75 | 0.53 | 0.58 | 180 |
| BPXX00030315220□00 | 22 | 20,30 | 100 | 0.825 | 0.49 | 0.57 | 220 |
| BPXX00030315330□00 | 33 | 20,30 | 100 | 1.30 | 0.42 | 0.48 | 330 |
| BPXX00030315470□00 | 47 | 20,30 | 100 | 1.55 | 0.32 | 0.40 | 470 |
| BPXX00030315680□00 | 68 | 20,30 | 100 | 2.25 | 0.28 | 0.33 | 680 |
| BPXX00030315101□00 | 100 | 20,30 | 100 | 3.4 | 0.23 | 0.26 | 101 |
| BPXX00030315471□00 | 470 | 20,30 | 100 | 15 | 0.11 | 0.11 | 471 |

Note: When ordering, please specify tolerance code. Tolerance: M=±20% , T=±30%

- Operating temperature range - 40°C ~ 125°C(Including self - temperature rise)
- Isat for Inductance drop 30% from its value without current
- I rms for a 40°C temperature rise from 25°C ambient with current
- Rated DC Current : The less value which is Isat or I rms

SMD Shielded Power Inductors – BPXX Series

Standard Specifications

| Part Number | Inductance (uH) | Tolerance (±%) | Test Frequency (kHz) | RDC (Ω)Max | Isat (A)Max | Irms (A)Typ | Marking |
|--------------------|-----------------|----------------|----------------------|------------|-------------|-------------|---------|
| BPXX000303201R0□00 | 1.0 | 20,30 | 100 | 0.04 | 2.8 | 2.5 | 1R0 |
| BPXX000303202R2□00 | 2.2 | 20,30 | 100 | 0.08 | 2.0 | 1.8 | 2R2 |
| BPXX000303203R3□00 | 3.3 | 20,30 | 100 | 0.10 | 1.8 | 1.6 | 3R3 |
| BPXX000303204R7□00 | 4.7 | 20,30 | 100 | 0.14 | 1.6 | 1.4 | 4R7 |
| BPXX000303206R8□00 | 6.8 | 20,30 | 100 | 0.17 | 1.4 | 1.2 | 6R8 |
| BPXX0003032010□00 | 10 | 20,30 | 100 | 0.4 | 1.0 | 0.80 | 100 |
| BPXX00030320220□00 | 22 | 20,30 | 100 | 0.6 | 0.7 | 0.65 | 220 |
| BPXX00030320330□00 | 33 | 20,30 | 100 | 1.0 | 0.6 | 0.52 | 330 |
| BPXX00030320470□00 | 47 | 20,30 | 100 | 1.35 | 0.5 | 0.50 | 470 |

Note: When ordering, please specify tolerance 00de. Tolerance: M=±20% , T=±30%

- Operating temperature range - 40°C ~ 125°C(Including self - temperature rise)
- Isat for Inductance drop 30% from its value without current
- Irms for a 40°C temperature rise from 25°C ambient with current
- Rated DC Current : The less value which is Isat or Irms

SMD Shielded Power Inductors – BPXX Series

Standard Specifications

| Part Number | Inductance (uH) | Tolerance (±%) | Test Frequency (kHz) | RDC (Ω)Max | Isat (A)Max | Irms (A)Typ | Marking |
|--------------------|-----------------|----------------|----------------------|------------|-------------|-------------|---------|
| BPXX00040412R33□00 | 0.33 | 20,30 | 100 | 0.023 | 5.6 | 3.7 | R33 |
| BPXX00040412R47□00 | 0.47 | 30 | 100 | 0.045 | 4.0 | 2.5 | R47 |
| BPXX00040412R68□00 | 0.68 | 30 | 100 | 0.055 | 3.5 | 2.45 | R68 |
| BPXX000404121R0□00 | 1.0 | 30 | 100 | 0.060 | 2.8 | 2.4 | 1R0 |
| BPXX000404121R2□00 | 1.2 | 20,30 | 100 | 0.065 | 2.65 | 2.3 | 1R2 |
| BPXX000404121R5□00 | 1.5 | 30 | 100 | 0.07 | 2.5 | 2.2 | 1R5 |
| BPXX000404122R2□00 | 2.2 | 20,30 | 100 | 0.10 | 2.1 | 1.75 | 2R2 |
| BPXX000404123R3□00 | 3.3 | 20,30 | 100 | 0.13 | 1.5 | 1.45 | 3R3 |
| BPXX000404124R7□00 | 4.7 | 20,30 | 100 | 0.175 | 1.4 | 1.3 | 4R7 |
| BPXX000404125R6□00 | 5.6 | 20,30 | 100 | 0.26 | 1.3 | 1.1 | 5R6 |
| BPXX000404126R8□00 | 6.8 | 20,30 | 100 | 0.34 | 1.2 | 0.98 | 6R8 |
| BPXX00040412100□00 | 10 | 20,30 | 100 | 0.35 | 0.7 | 0.75 | 100 |
| BPXX00040412150□00 | 15 | 20,30 | 100 | 0.55 | 0.6 | 0.73 | 150 |
| BPXX00040412470□00 | 47 | 20,30 | 100 | 1.4 | 0.38 | 0.52 | 470 |

Note: When ordering, please specify tolerance code. Tolerance: M=±20% , T=±30%

- Operating temperature range - 40°C ~ 125°C(Including self - temperature rise)
- Isat for Inductance drop 30% from its value without current
- Irms for a 40°C temperature rise from 25°C ambient with current
- Rated DC Current : The less value which is Isat or Irms

SMD Shielded Power Inductors – BPXX Series

Standard Specifications

| Part Number | Inductance (uH) | Tolerance (±%) | Test Frequency (kHz) | RDC (Ω)Max | Isat (A)Max | Irms (A)Typ | Marking |
|--------------------|-----------------|----------------|----------------------|------------|-------------|-------------|---------|
| BPXX00040418R56□00 | 0.56 | 20,30 | 100 | 0.030 | 4.8 | 2.80 | R56 |
| BPXX00040418R68□00 | 0.68 | 30 | 100 | 0.035 | 4.5 | 2.75 | R68 |
| BPXX000404181R0□00 | 1.0 | 30 | 100 | 0.04 | 3.4 | 2.7 | 1R0 |
| BPXX000404181R5□00 | 1.5 | 30 | 100 | 0.05 | 2.7 | 2.5 | 1R5 |
| BPXX000404181R6□00 | 1.6 | 20,30 | 100 | 0.05 | 2.7 | 2.5 | 1R6 |
| BPXX000404181R8□00 | 1.8 | 30 | 100 | 0.06 | 2.6 | 2.4 | 1R8 |
| BPXX000404182R2□00 | 2.2 | 20,30 | 100 | 0.07 | 2.5 | 2.2 | 2R2 |
| BPXX000404182R5□00 | 2.5 | 20,30 | 100 | 0.075 | 2.4 | 2.1 | 2R5 |
| BPXX000404183R3□00 | 3.3 | 20,30 | 100 | 0.08 | 2.2 | 2.0 | 3R3 |
| BPXX000404183R6□00 | 3.6 | 20,30 | 100 | 0.10 | 2.0 | 1.8 | 3R6 |
| BPXX000404183R9□00 | 3.9 | 20,30 | 100 | 0.10 | 2.0 | 1.8 | 3R9 |
| BPXX000404184R7□00 | 4.7 | 20,30 | 100 | 0.125 | 1.7 | 1.6 | 4R7 |
| BPXX000404185R6□00 | 5.6 | 20,30 | 100 | 0.135 | 1.5 | 1.45 | 5R6 |
| BPXX000404186R8□00 | 6.8 | 20,30 | 100 | 0.15 | 1.2 | 1.30 | 6R8 |
| BPXX00040418100□00 | 10 | 20,30 | 100 | 0.20 | 1.1 | 1.15 | 100 |
| BPXX00040418150□00 | 15 | 20,30 | 100 | 0.28 | 0.86 | 0.90 | 150 |
| BPXX00040418180□00 | 18 | 20,30 | 100 | 0.30 | 0.78 | 0.88 | 180 |
| BPXX00040418220□00 | 22 | 20,30 | 100 | 0.36 | 0.74 | 0.85 | 220 |
| BPXX00040418330□00 | 33 | 20,30 | 100 | 0.46 | 0.58 | 0.77 | 330 |
| BPXX00040418470□00 | 47 | 20,30 | 100 | 0.75 | 0.51 | 0.63 | 470 |
| BPXX00040418680□00 | 68 | 20,30 | 100 | 1.07 | 0.41 | 0.48 | 680 |
| BPXX00040418820□00 | 82 | 20,30 | 100 | 1.22 | 0.38 | 0.44 | 820 |
| BPXX00040418101□00 | 100 | 20,30 | 100 | 1.64 | 0.34 | 0.42 | 101 |
| BPXX00040418121□00 | 120 | 20,30 | 100 | 1.88 | 0.31 | 0.38 | 121 |
| BPXX00040418151□00 | 150 | 20,30 | 100 | 2.45 | 0.27 | 0.31 | 151 |
| BPXX00040418181□00 | 180 | 20,30 | 100 | 2.91 | 0.24 | 0.30 | 181 |
| BPXX00040418221□00 | 220 | 20,30 | 100 | 4.2 | 0.22 | 0.24 | 221 |
| BPXX00040418331□00 | 330 | 20,30 | 100 | 5.9 | 0.18 | 0.22 | 331 |
| BPXX00040418471□00 | 470 | 20,30 | 100 | 7.1 | 0.14 | 0.20 | 471 |
| BPXX00040418561□00 | 560 | 20,30 | 100 | 10 | 0.13 | 0.18 | 561 |
| BPXX00040418681□00 | 680 | 20,30 | 100 | 11.5 | 0.12 | 0.16 | 681 |
| BPXX00040418821□00 | 820 | 20,30 | 100 | 17.8 | 0.11 | 0.12 | 821 |
| BPXX00040418102□00 | 1000 | 20,30 | 100 | 19.4 | 0.10 | 0.10 | 102 |
| BPXX00040418152□00 | 1500 | 20,30 | 100 | 30 | 0.08 | 0.08 | 152 |

Note: When ordering, please specify tolerance code. Tolerance: M=±20% , T=±30%

- Operating temperature range - 40°C ~ 125°C(Including self - temperature rise)
- Isat for Inductance drop 30% from its value without current
- Irms for a 40°C temperature rise from 25°C ambient with current
- Rated DC Current : The less value which is Isat or Irms

SMD Shielded Power Inductors – BPXX Series

Standard Specifications

| Part Number | Inductance (uH) | Tolerance (±%) | Test Frequency (kHz) | RDC (Ω)Max | Isat (A)Max | Irms (A)Typ | Marking |
|--------------------|-----------------|----------------|----------------------|------------|-------------|-------------|---------|
| BPXX000404201R8□00 | 1.8 | 30 | 100 | 0.051 | 1.97 | 2.37 | 1R8 |
| BPXX000404202R2□00 | 2.2 | 30 | 100 | 0.059 | 1.72 | 2.19 | 2R2 |
| BPXX000404203R3□00 | 3.3 | 30 | 100 | 0.078 | 1.52 | 1.94 | 3R3 |
| BPXX000404204R7□00 | 4.7 | 20,30 | 100 | 0.098 | 1.24 | 1.71 | 4R7 |
| BPXX000404206R8□00 | 6.8 | 20,30 | 100 | 0.131 | 1.05 | 1.47 | 6R8 |
| BPXX0004042010□00 | 10 | 20,30 | 100 | 0.185 | 0.85 | 1.0 | 100 |
| BPXX0004042015□00 | 15 | 20,30 | 100 | 0.241 | 0.70 | 0.9 | 150 |
| BPXX0004042022□00 | 22 | 20,30 | 100 | 0.431 | 0.56 | 0.8 | 220 |
| BPXX0004042033□00 | 33 | 20,30 | 100 | 0.628 | 0.47 | 0.69 | 330 |
| BPXX0004042047□00 | 47 | 20,30 | 100 | 0.934 | 0.39 | 0.56 | 470 |
| BPXX0004042068□00 | 68 | 20,30 | 100 | 1.2 | 0.32 | 0.5 | 680 |
| BPXX00040420101□00 | 100 | 20,30 | 100 | 1.4 | 0.26 | 0.4 | 101 |
| BPXX00040420561□00 | 560 | 20,30 | 100 | 6.6 | 0.12 | 0.2 | 561 |

Note: When ordering, please specify tolerance code. Tolerance: M=±20% , T=±30%

- Operating temperature range - 40°C ~ 125°C(Including self - temperature rise)
- Isat for Inductance drop 30% from its value without current
- Irms for a 40°C temperature rise from 25°C ambient with current
- Rated DC Current : The less value which is Isat or Irms

SMD Shielded Power Inductors – BPXX Series

Standard Specifications

| Part Number | Inductance (uH) | Tolerance (±%) | Test Frequency (kHz) | RDC (Ω)Max | Isat (A)Max | Irms (A)Typ | Marking |
|--------------------|-----------------|----------------|----------------------|------------|-------------|-------------|---------|
| BPXX000404301R0□00 | 1.0 | 30 | 100 | 0.020 | 2.80 | 3.3 | 1R0 |
| BPXX000404301R2□00 | 1.2 | 30 | 100 | 0.025 | 2.65 | 3.1 | 1R2 |
| BPXX000404301R5□00 | 1.5 | 30 | 100 | 0.028 | 2.6 | 3.0 | 1R5 |
| BPXX000404302R2□00 | 2.2 | 30 | 100 | 0.035 | 2.3 | 2.7 | 2R2 |
| BPXX000404303R3□00 | 3.3 | 20,30 | 100 | 0.045 | 2.1 | 2.5 | 3R3 |
| BPXX000404304R7□00 | 4.7 | 20,30 | 100 | 0.055 | 2.0 | 2.3 | 4R7 |
| BPXX000404306R8□00 | 6.8 | 20,30 | 100 | 0.078 | 1.5 | 2.0 | 6R8 |
| BPXX0004043010□00 | 10 | 20,30 | 100 | 0.130 | 1.0 | 1.5 | 100 |
| BPXX00040430120□00 | 12 | 20,30 | 100 | 0.175 | 0.9 | 1.4 | 120 |
| BPXX00040430150□00 | 15 | 20,30 | 100 | 0.21 | 0.85 | 1.3 | 150 |
| BPXX00040430220□00 | 22 | 20,30 | 100 | 0.29 | 0.8 | 1.1 | 220 |
| BPXX00040430330□00 | 33 | 20,30 | 100 | 0.455 | 0.7 | 0.85 | 330 |
| BPXX00040430470□00 | 47 | 20,30 | 100 | 0.685 | 0.6 | 0.70 | 470 |
| BPXX00040430680□00 | 68 | 20,30 | 100 | 0.955 | 0.5 | 0.55 | 680 |
| BPXX00040430820□00 | 82 | 20,30 | 100 | 1.1 | 0.45 | 0.45 | 820 |
| BPXX00040430101□00 | 100 | 20,30 | 100 | 1.5 | 0.4 | 0.40 | 101 |
| BPXX00040430151□00 | 150 | 20,30 | 100 | 2.4 | 0.3 | 0.35 | 151 |
| BPXX00040430181□00 | 180 | 20,30 | 100 | 3.6 | 0.25 | 0.30 | 181 |
| BPXX00040430471□00 | 470 | 20,30 | 100 | 5.5 | 0.14 | 0.15 | 471 |
| BPXX00040430102□00 | 1000 | 20,30 | 100 | 9 | 0.12 | 0.12 | 102 |
| BPXX00040430122□00 | 1200 | 20,30 | 100 | 14 | 0.11 | 0.11 | 122 |
| BPXX00040430222□00 | 2200 | 20,30 | 100 | 18 | 0.09 | 0.09 | 222 |

Note: When ordering, please specify tolerance code. Tolerance: M=±20% , T=±30%

- Operating temperature range - 40°C ~ 125°C(Including self - temperature rise)
- Isat for Inductance drop 30% from its value without current
- I rms for a 40°C temperature rise from 25°C ambient with current
- Rated DC Current : The less value which is Isat or I rms

SMD Shielded Power Inductors – BPXX Series

Standard Specifications

| Part Number | Inductance (uH) | Tolerance (±%) | Test Frequency (kHz) | RDC (Ω)Max | Isat (A)Max | Irms (A)Typ | Marking |
|--------------------|-----------------|----------------|----------------------|------------|-------------|-------------|---------|
| BPXX000505151R0□00 | 1.0 | 20,30 | 100 | 0.05 | 3.5 | 2.65 | 1R0 |
| BPXX000505151R2□00 | 1.2 | 20,30 | 100 | 0.05 | 3.5 | 2.65 | 1R2 |
| BPXX000505151R3□00 | 1.3 | 20,30 | 100 | 0.065 | 2.6 | 2.35 | 1R3 |
| BPXX000505151R5□00 | 1.5 | 20,30 | 100 | 0.065 | 2.6 | 2.35 | 1R5 |
| BPXX000505151R8□00 | 1.8 | 30 | 100 | 0.075 | 2.6 | 2.15 | 1R8 |
| BPXX000505152R2□00 | 2.2 | 20,30 | 100 | 0.09 | 2.6 | 2.0 | 2R2 |
| BPXX000505153R3□00 | 3.3 | 20,30 | 100 | 0.125 | 2.0 | 1.8 | 3R3 |
| BPXX000505154R7□00 | 4.7 | 20,30 | 100 | 0.150 | 1.7 | 1.62 | 4R7 |
| BPXX000505155R6□00 | 5.6 | 20,30 | 100 | 0.175 | 1.6 | 1.45 | 5R6 |
| BPXX000505156R8□00 | 6.8 | 20,30 | 100 | 0.225 | 1.4 | 1.25 | 6R8 |
| BPXX000505158R2□00 | 8.2 | 20,30 | 100 | 0.28 | 1.3 | 1.05 | 8R2 |
| BPXX00050515100□00 | 10 | 20,30 | 100 | 0.30 | 1.1 | 0.95 | 100 |
| BPXX00050515120□00 | 12 | 20,30 | 100 | 0.35 | 1.0 | 0.84 | 120 |
| BPXX00050515150□00 | 15 | 20,30 | 100 | 0.36 | 0.7 | 0.84 | 150 |
| BPXX00050515180□00 | 18 | 20,30 | 100 | 0.55 | 0.65 | 0.83 | 180 |
| BPXX00050515220□00 | 22 | 20,30 | 100 | 0.675 | 0.65 | 0.82 | 220 |
| BPXX00050515330□00 | 33 | 20,30 | 100 | 0.75 | 0.50 | 0.70 | 330 |
| BPXX00050515470□00 | 47 | 20,30 | 100 | 1.0 | 0.45 | 0.57 | 470 |
| BPXX00050515560□00 | 56 | 20,30 | 100 | 1.13 | 0.40 | 0.52 | 560 |
| BPXX00050515680□00 | 68 | 20,30 | 100 | 1.45 | 0.38 | 0.47 | 680 |
| BPXX00050515101□00 | 100 | 20,30 | 100 | 1.95 | 0.28 | 0.42 | 101 |
| BPXX00050515121□00 | 120 | 20,30 | 100 | 2.5 | 0.28 | 0.37 | 121 |
| BPXX00050515151□00 | 150 | 20,30 | 100 | 3.4 | 0.24 | 0.33 | 151 |
| BPXX00050515221□00 | 220 | 20,30 | 100 | 4.5 | 0.20 | 0.29 | 221 |
| BPXX00050515331□00 | 330 | 20,30 | 100 | 7.4 | 0.165 | 0.22 | 331 |
| BPXX00050515471□00 | 470 | 20,30 | 100 | 7.5 | 0.12 | 0.21 | 471 |
| BPXX00050515561□00 | 560 | 20,30 | 100 | 8.5 | 0.11 | 0.19 | 561 |
| BPXX00050515681□00 | 680 | 20,30 | 100 | 10.6 | 0.10 | 0.175 | 681 |
| BPXX00050515102□00 | 1000 | 20,30 | 100 | 20 | 0.08 | 0.15 | 102 |

Note: When ordering, please specify tolerance code. Tolerance: M=±20% , T=±30%

- Operating temperature range - 40°C ~ 125°C(Including self - temperature rise)
- Isat for Inductance drop 30% from its value without current
- Irms for a 40°C temperature rise from 25°C ambient with current
- Rated DC Current : The less value which is Isat or Irms

SMD Shielded Power Inductors – BPXX Series

Standard Specifications

| Part Number | Inductance (uH) | Tolerance (±%) | Test Frequency (kHz) | RDC (Ω)Max | Isat (A)Max | Irms (A)Typ | Marking |
|--------------------|-----------------|----------------|----------------------|------------|-------------|-------------|---------|
| BPXX00050520R30□00 | 0.30 | 30 | 100 | 0.00875 | 6.0 | 7 | R30 |
| BPXX00050520R33□00 | 0.33 | 30 | 100 | 0.01065 | 5.8 | 6 | R33 |
| BPXX00050520R68□00 | 0.68 | 30 | 100 | 0.01470 | 4.0 | 5.2 | R68 |
| BPXX000505201R0□00 | 1.0 | 30 | 100 | 0.02455 | 3.5 | 4.0 | 1R0 |
| BPXX000505201R3□00 | 1.3 | 30 | 100 | 0.035 | 3.2 | 3.3 | 1R3 |
| BPXX000505201R5□00 | 1.5 | 30 | 100 | 0.035 | 3.2 | 3.3 | 1R5 |
| BPXX000505201R8□00 | 1.8 | 20,30 | 100 | 0.045 | 3.0 | 3.0 | 1R8 |
| BPXX000505202R2□00 | 2.2 | 20,30 | 100 | 0.055 | 2.7 | 2.75 | 2R2 |
| BPXX000505202R5□00 | 1.3 | 20,30 | 100 | 0.060 | 2.6 | 2.6 | 2R5 |
| BPXX000505202R7□00 | 1.3 | 20,30 | 100 | 0.062 | 2.5 | 2.6 | 2R7 |
| BPXX000505203R3□00 | 3.3 | 20,30 | 100 | 0.065 | 2.4 | 2.5 | 3R3 |
| BPXX000505204R7□00 | 4.7 | 20,30 | 100 | 0.08 | 2.1 | 2.0 | 4R7 |
| BPXX000505205R6□00 | 5.6 | 20,30 | 100 | 0.09 | 1.95 | 1.9 | 5R6 |
| BPXX000505206R8□00 | 6.8 | 20,30 | 100 | 0.105 | 1.8 | 1.7 | 6R8 |
| BPXX000505208R2□00 | 8.2 | 20,30 | 100 | 0.12 | 1.6 | 1.6 | 8R2 |
| BPXX00050520100□00 | 10 | 20,30 | 100 | 0.15 | 1.4 | 1.5 | 100 |
| BPXX00050520150□00 | 15 | 20,30 | 100 | 0.27 | 1.1 | 1.2 | 150 |
| BPXX00050520220□00 | 22 | 20,30 | 100 | 0.35 | 0.78 | 0.9 | 220 |
| BPXX00050520330□00 | 33 | 20,30 | 100 | 0.48 | 0.65 | 0.8 | 330 |
| BPXX00050520470□00 | 47 | 20,30 | 100 | 0.75 | 0.60 | 0.7 | 470 |
| BPXX00050520101□00 | 100 | 20,30 | 100 | 1.21 | 0.34 | 0.55 | 101 |
| BPXX00050520121□00 | 120 | 20,30 | 100 | 1.60 | 0.30 | 0.48 | 121 |
| BPXX00050520151□00 | 150 | 20,30 | 100 | 2.25 | 0.28 | 0.40 | 151 |
| BPXX00050520221□00 | 220 | 20,30 | 100 | 3.3 | 0.26 | 0.37 | 221 |
| BPXX00050520331□00 | 330 | 20,30 | 100 | 4.2 | 0.22 | 0.30 | 331 |

Note: When ordering, please specify tolerance code. Tolerance: M=±20% , T=±30%

- Operating temperature range - 40°C ~ 125°C(Including self - temperature rise)
- Isat for Inductance drop 30% from its value without current
- Irms for a 40°C temperature rise from 25°C ambient with current
- Rated DC Current : The less value which is Isat or Irms

SMD Shielded Power Inductors – BPXX Series

Standard Specifications

| Part Number | Inductance (uH) | Tolerance (±%) | Test Frequency (kHz) | RDC (Ω)Max | Isat (A)Max | Irms (A)Typ | Marking |
|--------------------|-----------------|----------------|----------------------|------------|-------------|-------------|---------|
| BPXX000505301R2□00 | 1.2 | 20,30 | 100 | 0.040 | 3.5 | 2.65 | 1R2 |
| BPXX000505302R2□00 | 2.2 | 30 | 100 | 0.057 | 3.1 | 2.15 | 2R2 |
| BPXX000505303R3□00 | 3.3 | 20,30 | 100 | 0.066 | 2.5 | 1.80 | 3R3 |
| BPXX000505304R7□00 | 4.7 | 20,30 | 100 | 0.083 | 2.0 | 1.75 | 4R7 |
| BPXX000505306R8□00 | 6.8 | 20,30 | 100 | 0.099 | 1.7 | 1.6 | 6R8 |
| BPXX000505308R2□00 | 8.2 | 20,30 | 100 | 0.12 | 1.6 | 1.5 | 8R2 |
| BPXX0005053010□00 | 10 | 20,30 | 100 | 0.15 | 1.5 | 1.4 | 100 |
| BPXX0005053012□00 | 12 | 20,30 | 100 | 0.16 | 1.4 | 1.3 | 120 |
| BPXX0005053015□00 | 15 | 20,30 | 100 | 0.175 | 1.3 | 1.2 | 150 |
| BPXX0005053022□00 | 22 | 20,30 | 100 | 0.19 | 1.0 | 1.1 | 220 |
| BPXX0005053027□00 | 27 | 20,30 | 100 | 0.27 | 0.9 | 1.0 | 270 |
| BPXX0005053033□00 | 33 | 20,30 | 100 | 0.35 | 0.8 | 0.9 | 330 |
| BPXX0005053047□00 | 47 | 20,30 | 100 | 0.50 | 0.75 | 0.75 | 470 |
| BPXX0005053056□00 | 56 | 20,30 | 100 | 0.65 | 0.65 | 0.65 | 560 |
| BPXX0005053068□00 | 68 | 20,30 | 100 | 0.75 | 0.60 | 0.60 | 680 |
| BPXX00050530101□00 | 100 | 20,30 | 100 | 0.90 | 0.45 | 0.55 | 101 |
| BPXX00050530221□00 | 220 | 20,30 | 100 | 1.35 | 0.25 | 0.45 | 221 |
| BPXX00050530331□00 | 330 | 20,30 | 100 | 1.8 | 0.17 | 0.42 | 331 |
| BPXX00050530821□00 | 820 | 20,30 | 100 | 5.0 | 0.12 | 0.26 | 821 |
| BPXX00050530102□00 | 1000 | 20,30 | 100 | 5.1 | 0.11 | 0.25 | 102 |
| BPXX00050530152□00 | 1500 | 20 | 100 | 7.6 | 0.09 | 0.18 | 152 |
| BPXX00050530222□00 | 2200 | 20 | 100 | 11 | 0.08 | 0.15 | 222 |

Note: When ordering, please specify tolerance code. Tolerance: M=±20% , T=±30%

- Operating temperature range - 40°C ~ 125°C(Including self - temperature rise)
- Isat for Inductance drop 30% from its value without current
- Irms for a 40°C temperature rise from 25°C ambient with current
- Rated DC Current : The less value which is Isat or Irms

SMD Shielded Power Inductors – BPXX Series

Standard Specifications

| Part Number | Inductance (uH) | Tolerance (±%) | Test Frequency (kHz) | RDC (Ω)Max | Isat (A)Max | Irms (A)Typ | Marking |
|--------------------|-----------------|----------------|----------------------|------------|-------------|-------------|---------|
| BPXX000606201R2□00 | 1.2 | 30 | 100 | 0.03 | 3.5 | 3.0 | 1R2 |
| BPXX000606201R3□00 | 1.3 | 30 | 100 | 0.0305 | 3.2 | 3.0 | 1R3 |
| BPXX000606201R5□00 | 1.5 | 30 | 100 | 0.0305 | 3.2 | 3.0 | 1R5 |
| BPXX000606201R8□00 | 1.8 | 30 | 100 | 0.0375 | 3.0 | 2.6 | 1R8 |
| BPXX000606202R2□00 | 2.2 | 30 | 100 | 0.04 | 2.7 | 2.4 | 2R2 |
| BPXX000606202R5□00 | 2.5 | 20,30 | 100 | 0.04 | 2.7 | 2.4 | 1R5 |
| BPXX000606203R3□00 | 3.3 | 20,30 | 100 | 0.06 | 2.5 | 2.3 | 3R3 |
| BPXX000606204R7□00 | 4.7 | 20,30 | 100 | 0.07 | 2.1 | 2.0 | 4R7 |
| BPXX000606206R2□00 | 6.2 | 20,30 | 100 | 0.085 | 1.9 | 1.8 | 6R2 |
| BPXX000606206R8□00 | 6.8 | 20,30 | 100 | 0.085 | 1.9 | 1.8 | 6R8 |
| BPXX000606208R2□00 | 8.2 | 20,30 | 100 | 0.125 | 1.7 | 1.5 | 8R2 |
| BPXX00060620100□00 | 10 | 20,30 | 100 | 0.15 | 1.4 | 1.2 | 100 |
| BPXX00060620150□00 | 15 | 20,30 | 100 | 0.22 | 1.1 | 1.1 | 150 |
| BPXX00060620220□00 | 22 | 20,30 | 100 | 0.32 | 1.0 | 0.9 | 220 |
| BPXX00060620330□00 | 33 | 20,30 | 100 | 0.45 | 0.9 | 0.8 | 330 |
| BPXX00060620470□00 | 47 | 20,30 | 100 | 0.6 | 0.85 | 0.7 | 470 |
| BPXX00060620101□00 | 100 | 20,30 | 100 | 1.2 | 0.5 | 0.45 | 101 |

Note: When ordering, please specify tolerance code. Tolerance: M=±20% , T=±30%

- Operating temperature range - 40°C ~ 125°C(Including self - temperature rise)
- Isat for Inductance drop 30% from its value without current
- I rms for a 40°C temperature rise from 25°C ambient with current
- Rated DC Current : The less value which is Isat or I rms

SMD Shielded Power Inductors – BPXX Series

Standard Specifications

| Part Number | Inductance (uH) | Tolerance (±%) | Test Frequency (kHz) | RDC (Ω)Max | Isat (A)Max | Irms (A)Typ | Marking |
|--------------------|-----------------|----------------|----------------------|------------|-------------|-------------|---------|
| BPXX000606251R0□00 | 1.0 | 30 | 100 | 0.035 | 5.5 | 1.80 | 1R0 |
| BPXX000606251R2□00 | 1.2 | 30 | 100 | 0.040 | 5.3 | 1.65 | 1R2 |
| BPXX000606251R5□00 | 1.5 | 30 | 100 | 0.040 | 5.3 | 1.65 | 1R5 |
| BPXX000606252R2□00 | 2.2 | 30 | 100 | 0.045 | 3.9 | 1.40 | 2R2 |
| BPXX000606253R3□00 | 3.3 | 20,30 | 100 | 0.055 | 3.5 | 1.35 | 3R3 |
| BPXX000606254R7□00 | 4.7 | 20,30 | 100 | 0.065 | 3.1 | 1.3 | 4R7 |
| BPXX000606255R0□00 | 5.0 | 30 | 100 | 0.065 | 3.1 | 1.3 | 5R0 |
| BPXX000606256R8□00 | 6.8 | 20,30 | 100 | 0.095 | 2.7 | 1.3 | 6R8 |
| BPXX000606258R2□00 | 8.2 | 20,30 | 100 | 0.100 | 2.2 | 1.3 | 8R2 |
| BPXX0006062510□00 | 10 | 20,30 | 100 | 0.105 | 2.0 | 1.3 | 100 |
| BPXX0006062515□00 | 15 | 20,30 | 100 | 0.135 | 2.0 | 1.2 | 150 |
| BPXX0006062522□00 | 22 | 20,30 | 100 | 0.175 | 1.4 | 1.1 | 220 |
| BPXX0006062533□00 | 33 | 20,30 | 100 | 0.26 | 1.1 | 0.9 | 330 |
| BPXX0006062547□00 | 47 | 20,30 | 100 | 0.42 | 0.98 | 0.8 | 470 |
| BPXX0006062568□00 | 68 | 20,30 | 100 | 0.42 | 0.59 | 0.74 | 470 |
| BPXX00060625101□00 | 100 | 20,30 | 100 | 0.61 | 0.48 | 0.64 | 101 |
| BPXX00060625121□00 | 120 | 20,30 | 100 | 0.75 | 0.43 | 0.58 | 121 |
| BPXX00060625151□00 | 150 | 20,30 | 100 | 0.92 | 0.40 | 0.54 | 151 |
| BPXX00060625221□00 | 220 | 20,30 | 100 | 1.3 | 0.32 | 0.50 | 221 |
| BPXX00060625331□00 | 330 | 20,30 | 100 | 2.0 | 0.26 | 0.39 | 331 |
| BPXX00060625471□00 | 470 | 20,30 | 100 | 2.6 | 0.22 | 0.37 | 471 |
| BPXX00060625681□00 | 680 | 20,30 | 100 | 4 | 0.18 | 0.26 | 681 |
| BPXX00060625102□00 | 1000 | 20,30 | 100 | 6 | 0.15 | 0.24 | 102 |

Note: When ordering, please specify tolerance code. Tolerance: M=±20% , T=±30%

- Operating temperature range - 40°C ~ 125°C(Including self - temperature rise)
- Isat for Inductance drop 30% from its value without current
- Irms for a 40°C temperature rise from 25°C ambient with current
- Rated DC Current : The less value which is Isat or Irms

SMD Shielded Power Inductors – BPXX Series

Standard Specifications

| Part Number | Inductance (uH) | Tolerance (±%) | Test Frequency (kHz) | RDC (Ω)Max | Isat (A)Max | Irms (A)Typ | Marking |
|--------------------|-----------------|----------------|----------------------|------------|-------------|-------------|---------|
| BPXX000606301R0□00 | 1.0 | 30 | 100 | 0.01385 | 4.2 | 4.5 | 1R0 |
| BPXX000606301R5□00 | 1.5 | 30 | 100 | 0.0190 | 4.0 | 4.0 | 1R5 |
| BPXX000606302R2□00 | 2.2 | 30 | 100 | 0.02375 | 3.8 | 3.8 | 2R2 |
| BPXX000606302R7□00 | 2.7 | 20,30 | 100 | 0.032 | 3.7 | 3.7 | 2R7 |
| BPXX000606303R3□00 | 3.3 | 20,30 | 100 | 0.036 | 3.6 | 2.75 | 3R3 |
| BPXX000606304R7□00 | 4.7 | 20,30 | 100 | 0.045 | 3.3 | 2.5 | 4R7 |
| BPXX000606305R0□00 | 5.0 | 30 | 100 | 0.045 | 3.3 | 2.5 | 5R0 |
| BPXX000606306R2□00 | 6.2 | 20,30 | 100 | 0.056 | 2.5 | 2.4 | 6R2 |
| BPXX000606306R8□00 | 6.8 | 20,30 | 100 | 0.056 | 2.5 | 2.4 | 6R8 |
| BPXX000606308R2□00 | 8.2 | 20,30 | 100 | 0.070 | 2.3 | 2.3 | 8R2 |
| BPXX00060630100□00 | 10 | 20,30 | 100 | 0.085 | 2.2 | 2.2 | 100 |
| BPXX00060630120□00 | 12 | 20,30 | 100 | 0.10 | 1.9 | 1.9 | 120 |
| BPXX00060630150□00 | 15 | 20,30 | 100 | 0.12 | 1.7 | 1.6 | 150 |
| BPXX00060630180□00 | 18 | 20,30 | 100 | 0.14 | 1.6 | 1.5 | 180 |
| BPXX00060630220□00 | 22 | 20,30 | 100 | 0.16 | 1.5 | 1.4 | 220 |
| BPXX00060630330□00 | 33 | 20,30 | 100 | 0.22 | 1.3 | 1.1 | 330 |
| BPXX00060630470□00 | 47 | 20,30 | 100 | 0.3 | 1.1 | 1.0 | 470 |

Note: When ordering, please specify tolerance code. Tolerance: M=±20% , T=±30%

- Operating temperature range - 40°C ~ 125°C(Including self - temperature rise)
- Isat for Inductance drop 30% from its value without current
- I rms for a 40°C temperature rise from 25°C ambient with current
- Rated DC Current : The less value which is Isat or I rms

SMD Shielded Power Inductors – BPXX Series

Standard Specifications

| Part Number | Inductance (uH) | Tolerance (±%) | Test Frequency (kHz) | RDC (Ω)Max | Isat 1 (A)Typ | Isat 2 (A)Typ | Isat 3 (A)Typ | Irms (A)Typ | Marking |
|--------------------|-----------------|----------------|----------------------|------------|---------------|---------------|---------------|-------------|---------|
| BPXX00060635100□00 | 10 | 20,30 | 100 | 0.10 | 2.3 | 2.4 | 2.5 | 1.8 | 100 |
| BPXX00060635220□00 | 22 | 20,30 | 100 | 0.145 | 1.6 | 1.7 | 1.7 | 2.0 | 220 |
| BPXX00060635330□00 | 33 | 20,30 | 100 | 0.18 | 1.3 | 1.4 | 1.5 | 1.3 | 330 |
| BPXX00060635470□00 | 47 | 20,30 | 100 | 0.245 | 1.1 | 1.2 | 1.2 | 1.2 | 470 |
| BPXX00060635560□00 | 56 | 20,30 | 100 | 0.280 | 1.0 | 1.0 | 1.1 | 1.07 | 560 |
| BPXX00060635680□00 | 68 | 20,30 | 100 | 0.345 | 0.9 | 0.94 | 0.96 | 1.1 | 680 |
| BPXX00060635101□00 | 100 | 20,30 | 100 | 0.375 | 0.46 | 0.52 | 0.54 | 0.9 | 101 |
| BPXX00060635221□00 | 220 | 20,30 | 100 | 0.72 | 0.31 | 0.36 | 0.37 | 0.64 | 221 |
| BPXX00060635471□00 | 470 | 20,30 | 100 | 1.6 | 0.22 | 0.25 | 0.26 | 0.43 | 471 |
| BPXX00060635681□00 | 680 | 20,30 | 100 | 2.2 | 0.17 | 0.19 | 0.21 | 0.37 | 681 |
| BPXX00060635102□00 | 1000 | 20,30 | 100 | 3.2 | 0.14 | 0.17 | 0.18 | 0.30 | 102 |
| BPXX00060635152□00 | 1500 | 20,30 | 100 | 4.6 | 0.12 | 0.13 | 0.14 | 0.26 | 152 |
| BPXX00060635103□00 | 10000 | 20,30 | 1 | 30.5 | 0.05 | 0.055 | 0.06 | 0.095 | 103 |

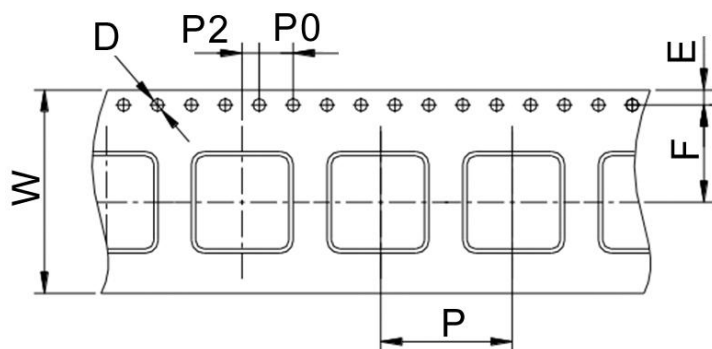
Note: When ordering, please specify tolerance code. Tolerance: M=±20% , T=±30%

- Operating temperature range - 40°C ~ 125°C(Including self - temperature rise)
- Isat 1 for Inductance drop 10% from its value without current
- Isat 2 for Inductance drop 20% from its value without current
- Isat 3 for Inductance drop 30% from its value without current
- I rms for a 40°C temperature rise from 25°C ambient with current
- Rated DC Current : The less value which is Isat1~3 or I rms

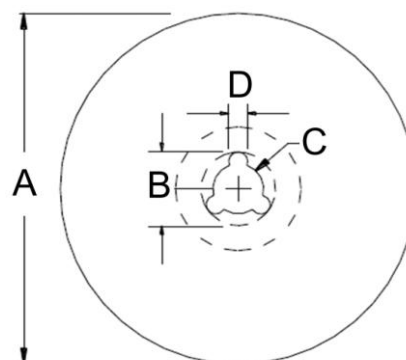
SMD Shielded Power Inductors – BPXX Series

Packaging Specifications

Tape Dimensions



Reel Dimensions



Dimensions in mm

| TYPE | Tape Dimensions | | | | | | | Reel Dimensions | | | | Quantity PCS / Reel |
|--------------|-----------------|-----|------|-----|----|----|----|-----------------|----|----|---|------------------------|
| | W | D | E | F | P | P0 | P2 | A | B | C | D | |
| BPXX00030308 | 12 | 1.5 | 1.75 | 5.5 | 8 | 4 | 2 | 178 | 20 | 13 | 2 | 1500 |
| BPXX00030310 | 12 | 1.5 | 1.75 | 5.5 | 8 | 4 | 2 | 178 | 20 | 13 | 2 | 1500 |
| BPXX00030312 | 12 | 1.5 | 1.75 | 5.5 | 8 | 4 | 2 | 178 | 20 | 13 | 2 | 1500 |
| BPXX00030315 | 12 | 1.5 | 1.75 | 5.5 | 8 | 4 | 2 | 178 | 20 | 13 | 2 | 1000 |
| BPXX00030320 | 12 | 1.5 | 1.75 | 5.5 | 8 | 4 | 2 | 178 | 20 | 13 | 2 | 1000 |
| BPXX00040412 | 12 | 1.5 | 1.75 | 5.5 | 8 | 4 | 2 | 178 | 20 | 13 | 2 | 1000 |
| BPXX00040418 | 12 | 1.5 | 1.75 | 5.5 | 8 | 4 | 2 | 178 | 20 | 13 | 2 | 1000 |
| BPXX00040420 | 12 | 1.5 | 1.75 | 5.5 | 8 | 4 | 2 | 178 | 20 | 13 | 2 | 1000 |
| BPXX00040430 | 12 | 1.5 | 1.75 | 5.5 | 8 | 4 | 2 | 178 | 20 | 13 | 2 | 600 |
| BPXX00050515 | 12 | 1.5 | 1.75 | 5.5 | 8 | 4 | 2 | 178 | 20 | 13 | 2 | 1000 |
| BPXX00050520 | 12 | 1.5 | 1.75 | 5.5 | 8 | 4 | 2 | 178 | 20 | 13 | 2 | 900 |
| BPXX00050530 | 12 | 1.5 | 1.75 | 5.5 | 8 | 4 | 2 | 330 | 20 | 13 | 2 | 2000 |
| BPXX00060620 | 16 | 1.5 | 1.75 | 7.5 | 12 | 4 | 2 | 330 | 20 | 13 | 2 | 2000 |
| BPXX00060625 | 16 | 1.5 | 1.75 | 7.5 | 12 | 4 | 2 | 330 | 20 | 13 | 2 | 1500 |
| BPXX00060630 | 16 | 1.5 | 1.75 | 7.5 | 12 | 4 | 2 | 330 | 20 | 13 | 2 | 1500 |
| BPXX00060635 | 16 | 1.5 | 1.75 | 7.5 | 12 | 4 | 2 | 330 | 20 | 13 | 2 | 1500 |