

BPSx Series

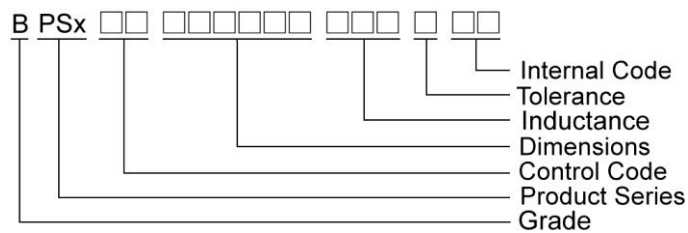
Features

- RoHS, Halogen Free and REACH Compliance
- Surface mount inductors designed for high speed, high current switch mode applications requiring lower inductance
- Gapped ferrite cores for maximum efficiency
- Customized specifications are available

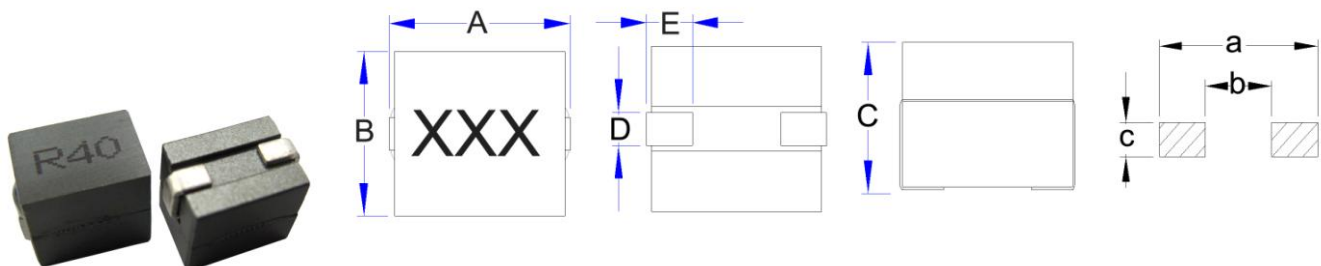
Applications

- Voltage regulator modules (VRMs) for servers, microprocessors
- High frequency, high current switching power supplies

Product Identification



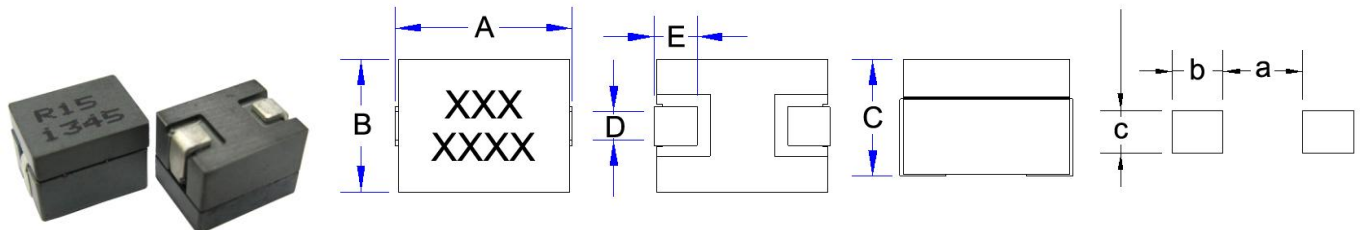
Shape and Dimensions



Dimensions in mm

TYPE	A	B	C	D	E	a	b	c
BPSG00110870	11.0 Max	7.5 Max	7.0 Max	1.6±0.2	2.6±0.3	11.0	4.3	2

Shape and Dimensions



Dimensions in mm

TYPE	A	B	C	D	E	a	b	c
BPSW001100873	10.2±0.2	8.0 Max	7.3±0.2	2.2±0.2	2.54±0.5	4.7	3.0	2.5

SMD Power Inductors – BPSG/BPSW Series

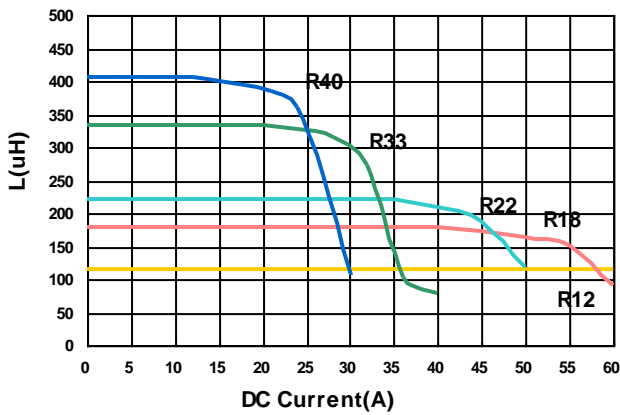
Electrical Characteristics

Part Number	Inductance (uH)	Tolerance (±%)	Test Frequency (kHz)	RDC (mΩ) ±7%	Isat (A) Max	Irms (A) Max
BPSG00110870R12L00	0.12	15	100	0.37	85	37
BPSG00110870R15L00	0.15	15	100	0.37	75	37
BPSG00110870R18L00	0.18	15	100	0.37	50	37
BPSG00110870R22L00	0.22	15	100	0.37	40	37
BPSG00110870R33L00	0.33	15	100	0.37	28	37
BPSG00110870R40L00	0.40	15	100	0.37	21	37

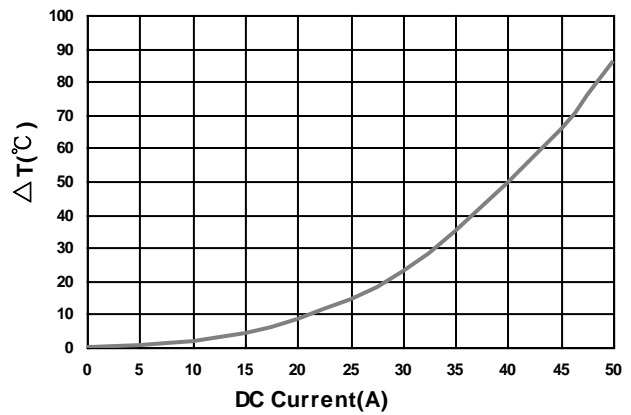
Note: When ordering, please specify tolerance code. Tolerance: L=±15%

- Customized Specifications are available
- Operating temperature range - 40°C ~ 125°C(Including self - temperature rise)
- OCL (Open Circuit Inductance) Test parameters: 100kHz, 0.25Vrms, 0Adc & Isat @20°C
- DC current for an approximate ΔT of 40°C without core loss. Derating is necessary for AC currents. PCB layout, trace thickness and width, airflow, and proximity of other heat generating components will affect the temperature rise. It is recommended that the temperature of the part not exceed 155°C under worst case operating conditions verified in the end application.
- Measure Equipment :
L : WK3260B+WK3265B
RDC : Chroma 16502
Isat : WK3260B+WK3265B

Inductance vs. DC Current



Temperature Change vs. DC Current



SMD Power Inductors – BPSG/BPSW Series

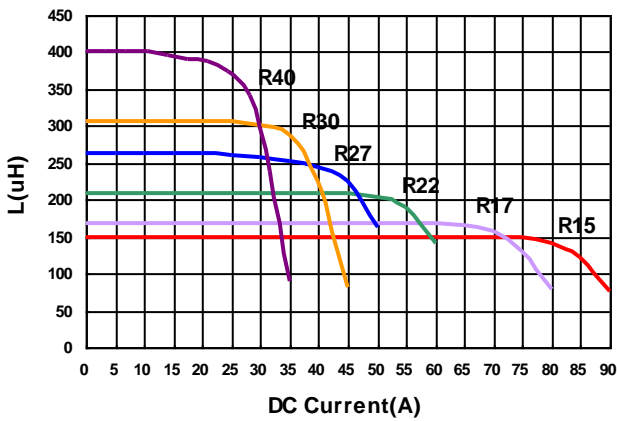
Electrical Characteristics

Part Number	Inductance (uH)	Tolerance (±%)	Test Frequency (kHz)	RDC (mΩ) ±6%	Isat (A) Max	Irms (A) Max
BPSW00100873R15K00	0.15	10	100	0.29	76	56
BPSW00100873R17K00	0.17	10	100	0.29	66	56
BPSW00100873R22K00	0.215	10	100	0.29	50	56
BPSW00100873R27K00	0.27	10	100	0.29	40	56
BPSW00100873R30K00	0.30	10	100	0.29	35	56
BPSW00100873R40L00	0.40	15	100	0.29	25	56

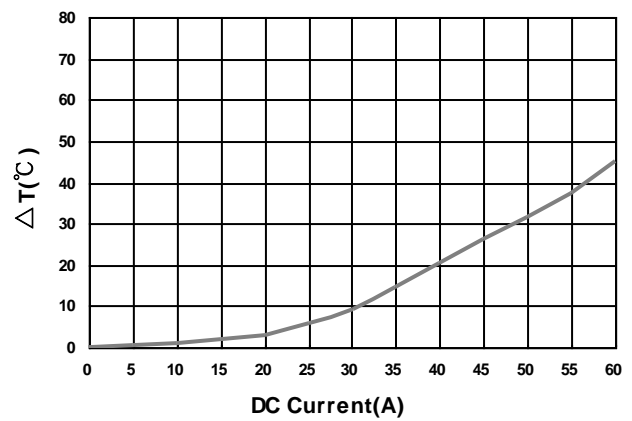
Note: When ordering, please specify tolerance code. Tolerance: K=±10% , L=±15%

- Customized Specifications are available
- Operating temperature range - 40°C ~ 125°C(Including self - temperature rise)
- OCL (Open Circuit Inductance) Test parameters: 100kHz, 0.25Vrms, 0Adc & Isat @20°C
- DC current for an approximate ΔT of 40°C without core loss. Derating is necessary for AC currents. PCB layout, trace thickness and width, airflow, and proximity of other heat generating components will affect the temperature rise. It is recommended that the temperature of the part not exceed 155°C under worst case operating conditions verified in the end application.
- Measure Equipment :
 L : WK3260B+WK3265B
 RDC : Chroma 16502
 Isat : WK3260B+WK3265B

Inductance vs. DC Current



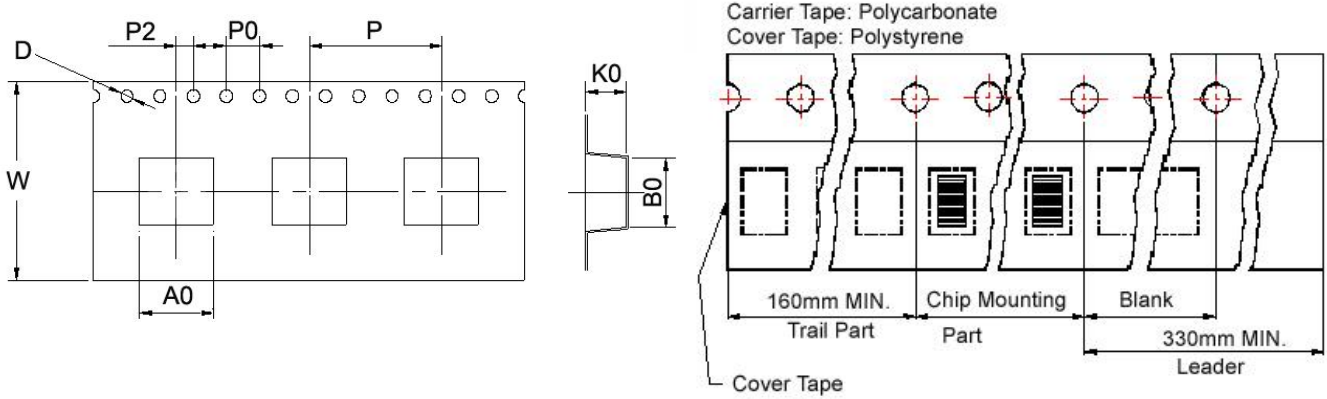
Temperature Change vs. DC Current



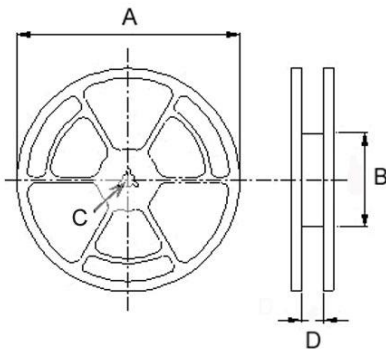
SMD Power Inductors – BPSG/BPSW Series

Packaging Specifications

Tape Dimensions



Reel Dimensions



Dimensions in mm

TYPE	Tape Dimensions								Reel Dimensions				Quantity PCS / REEL
	A0	B0	K0	D	W	P	P0	P2	A	B	C	D	
BPSG00110870	7.4	10.6	7.6	1.5	24	12	4	2	330	100	13.5	24	640
BPSW00100873	8.0	10.8	7.7	1.5	24	12	4	2	330	100	13.5	24	700