




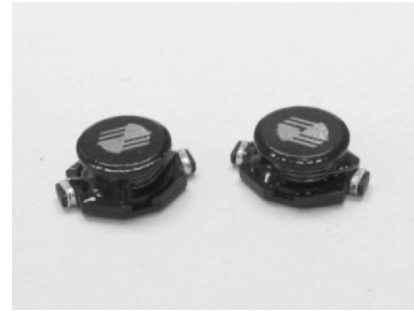


-  Suitable for power source circuits, PDAs and notebook computers
-  Unshielded and self-leaded design with high energy storage and low resistance
-  High performance and small size for surface mounting applications
-  Wide inductance range from 1 to 1000 micro H
-  RoHS compliant



ELECTRICAL SPECIFICATION @ 25°C

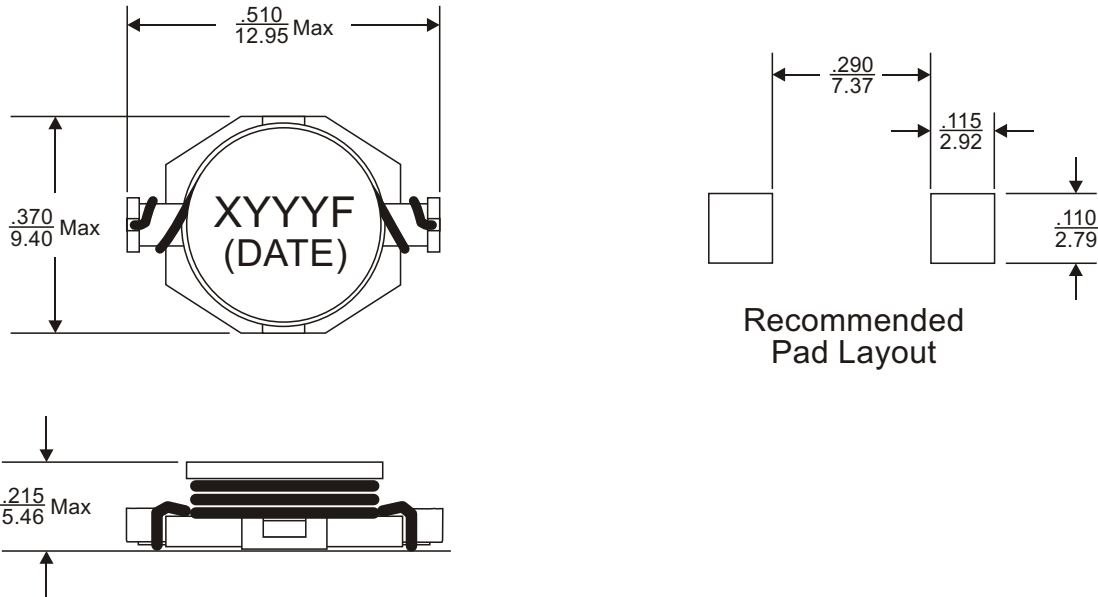
Part Number	Inductance ² L (uH ±15%)	DCR (m Ω) Max	SRF (MHz) Typ	Isat ³ (A)	Irms ⁴ (A)	Marking (YYYY)
UIS3316P-102F	1.0	9	100	9	6.8	P102
UIS3316P-152F	1.5	10	90	8	6.4	P152
UIS3316P-222F	2.2	12	80	7	6.1	P222
UIS3316P-332F	3.3	15	65	6.4	5.4	P332
UIS3316P-472F	4.7	18	45	5.4	4.8	P472
UIS3316P-682F	6.8	22	38	4.6	4.4	P682
UIS3316P-103F	10	38	30	3.8	3.9	P103
UIS3316P-153F	15	46	27	3	3.1	P153
UIS3316P-223F	22	58	19	2.6	2.7	P223
UIS3316P-253F	25	80	16	2.4	2.5	P253
UIS3316P-333F	33	100	15	2	2.1	P333
UIS3316P-473F	47	140	12	1.6	1.8	P473
UIS3316P-683F	68	180	10	1.4	1.5	P683
UIS3316P-104F	100	260	9	1.2	1.3	P104
UIS3316P-154F	150	380	6	1	1	P154
UIS3316P-224F	220	610	5	0.8	0.8	P224
UIS3316P-334F	330	930	4.5	0.6	0.6	P334
UIS3316P-474F	470	1270	3.5	0.5	0.5	P474
UIS3316P-684F	680	1840	2.5	0.4	0.4	P684
UIS3316P-105F	1000	2880	2.0	0.3	0.3	P105

Notes:

1. Ordering Information: UIS3316a - bbbFc.
 UIS3316 = Product Type.
 a = Tolerance of Inductance (P = ±15%).
 bbb = Inductance value in uH (i.e. 472 = 4.7uH; 473 = 47uH; 474 = 470uH; 105 = 1000uH).
 F = Internal Control Code.
 c = Packaging Code (T = Tape & Reel Packaging in 13 inch Reel).
2. Inductance is tested at 100kHz, 0.1Vrms.
3. Inductance drops 10% typical at Isat.
4. T=15°C rise typical at Iirms.
5. Operating temperature range: -40°C to +125°C.



MECHANICAL DIMENSIONS

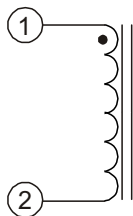


Notes:

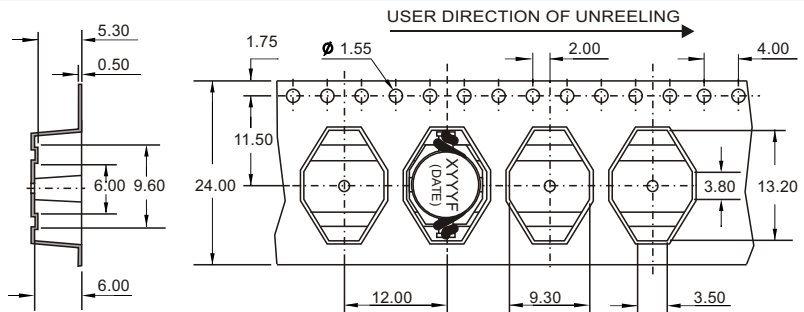
- The part temperature (ambient temperature + temperature rise) should not exceed the upper limit of the operating temperature under worst case operating conditions. Circuit design, component placement, PWB trace size and thickness, airflow and other cooling provisions all affect the part temperature. Part temperature should be verified in the end application.
- All dimensions are specified in $\frac{\text{inches}}{\text{mm}}$ with higher precedence in inches.
- Unless otherwise specified, all tolerances are $\pm \frac{.010}{0.25}$.

Weight (in gram)	: 1.0 typ.
Tape & Reel	: 800 / reel

SCHEMATIC



PACKAGING



FOR MORE INFORMATION, PLEASE CONTACT

HEADQUARTER
1/F., Harbour View 1, No.12 Science Park East Avenue,
Phase II, Hong Kong Science Park, Shatin, N.T.
Hong Kong
Tel: (852) 2954 3333 Fax: (852) 2954 3304
Email: eempl@eleceltek.com
Website: <http://www.eleceltek.com> / www.eemagnetic.com

Information herein is for reference only and subject to change without notice. It does not constitute any representation, warranty or commitment of the company in respect of the products in any aspect. All logos, brands and product names mentioned herein are trademarks or registered trademarks of their respective owners. The company does not assume any liability arising out of the application or use of any product or circuit described herein. Copyrights 2009, E & E Magnetic Products Limited.