




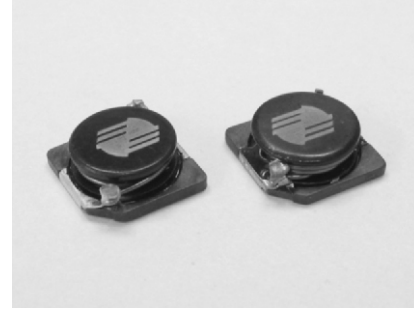


-  Suitable for DC/DC conversions in notebook computers, or portable handheld devices.
-  High performance and small size for surface mounting applications
-  Unshielded and self-leaded design for pick and place handling
-  Inductance range from 1.05 to 1030 micro H
-  RoHS compliant



ELECTRICAL SPECIFICATION @ 25°C

Part Number	Inductance ² L (uH ± 20%)	DCR (m Ω) Max	Saturation ³ Current, Isat (A)	Rated Current, Irms (A)	Marking (XYYY)
UISP0648M-102F	1.05	5.5	17.7	12.2	M102
UISP0648M-192F	1.9	7.5	12.9	9.6	M192
UISP0648M-282F	2.8	9.8	10.5	8.1	M282
UISP0648M-342F	3.4	9.6	9.1	7.6	M342
UISP0648M-462F	4.6	15.5	7.8	6.5	M462
UISP0648M-682F	6.8	22	6.6	5.1	M682
UISP0648M-103F	10.2	33	5.4	4.3	M103
UISP0648M-153F	15.2	44	4.4	3.6	M153
UISP0648M-223F	22	61	3.7	3.3	M223
UISP0648M-323F	32	90	2.9	2.5	M323
UISP0648M-463F	46	148	2.4	2.1	M463
UISP0648M-653F	65	166	2.0	1.8	M653
UISP0648M-104F	100	262	1.7	1.4	M104
UISP0648M-154F	152	410	1.3	1.2	M154
UISP0648M-214F	214	557	1.1	1.0	M214
UISP0648M-324F	320	880	0.9	0.9	M324
UISP0648M-454F	450	1230	0.8	0.7	M454
UISP0648M-644F	645	1660	0.6	0.6	M644
UISP0648M-105F	1030	2680	0.5	0.5	M105

Notes:

1. Ordering Information: UISP0648a - bbbFc.

UISP0648 = Product Type.

a = Tolerance of Inductance (M = ±20%).

bbb = Inductance value in uH (i.e. 342 = 3.4uH; 323 = 32uH; 324 = 320uH; 105 = 1000uH).

F = Internal Control Code.

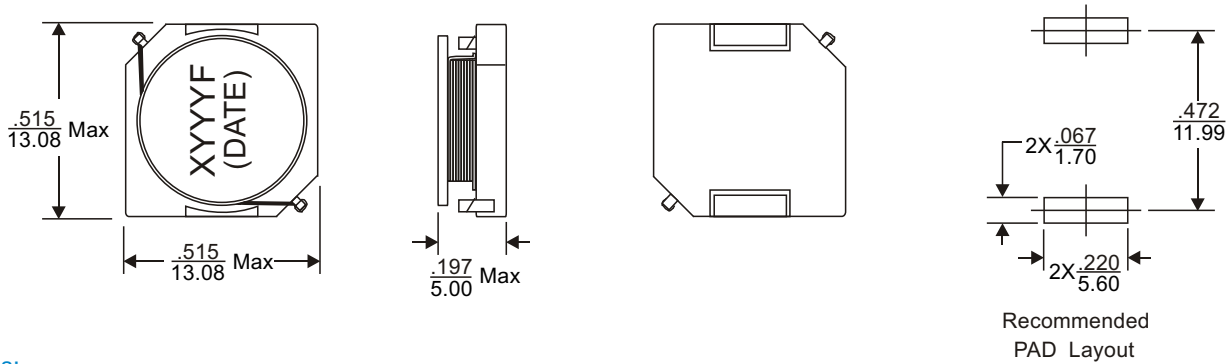
c = Packaging Code (T = Tape & Reel Packaging in 13 inch Reel).

2. Inductance is measured at 100kHz, 0.01Vrms.

3. Inductance drops 10% typical at Isat.

4. Operating temperature range: -40°C to +130°C.

MECHANICAL DIMENSIONS

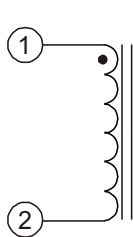


Notes:

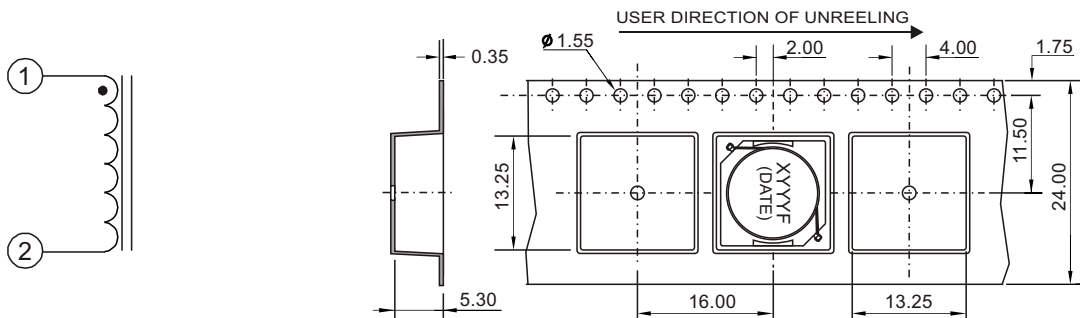
- The part temperature (ambient temperature + temperature rise) should not exceed the upper limit of the operating temperature under worst case operating conditions. Circuit design, component placement, PWB trace size and thickness, airflow and other cooling provisions all affect the part temperature. Part temperature should be verified in the end application.
- All dimensions are specified in $\frac{\text{inches}}{\text{mm}}$ with higher precedence in mm.
- Unless otherwise specified, all tolerances are $\pm \frac{.010}{0.25}$.

Weight (in gram)	: 2.5 typ.
Tape & Reel	: 700 / reel

SCHEMATIC



PACKAGING



FOR MORE INFORMATION, PLEASE CONTACT

HEADQUARTER
1/F., Harbour View 1, No.12 Science Park East Avenue,
Phase II, Hong Kong Science Park, Shatin, N.T.
Hong Kong
Tel: (852) 2954 3333 Fax: (852) 2954 3304
Email: eempl@eleceltek.com
Website: <http://www.eleceltek.com> / www.eemagnetic.com

Information herein is for reference only and subject to change without notice. It does not constitute any representation, warranty or commitment of the company in respect of the products in any aspect. All logos, brands and product names mentioned herein are trademarks or registered trademarks of their respective owners. The company does not assume any liability arising out of the application or use of any product or circuit described herein. Copyrights 2009, E & E Magnetic Products Limited.