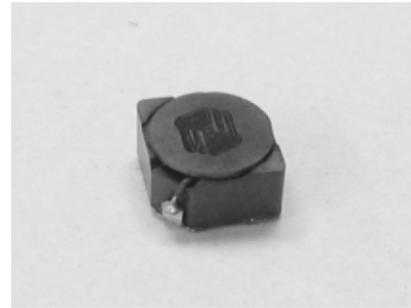




-  Magnetically Shielded
-  Miniature in size and high energy storage
-  Ideal for high current requirements of notebook, video recorders and other DC-DC conversion applications
-  Custom inductance value or tolerance is available
-  RoHS compliant



ELECTRICAL SPECIFICATION @ 25°C

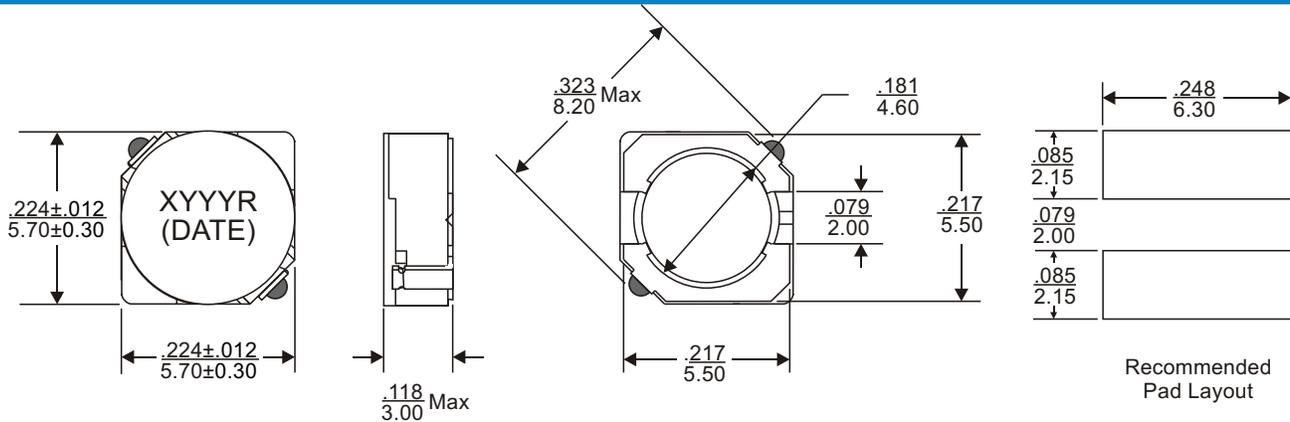
Part Number	Inductance (uH)	Tolerance (%)	Test Frequency ² (kHz)	DCR (m Max)	Rated DC Current ³ (A)	Marking (XYYY)
SIS5D28N-2R5R	2.5	±30	10	18	2.6	N2R5
SIS5D28N-3R0R	3.0	±30	10	24	2.4	N3R0
SIS5D28N-4R2R	4.2	±30	10	31	2.2	N4R2
SIS5D28N-5R3R	5.3	±30	10	38	1.9	N5R3
SIS5D28N-6R2R	6.2	±30	10	45	1.8	N6R2
SIS5D28N-8R2R	8.2	±30	10	53	1.6	N8R2
SIS5D28N-100R	10	±30	10	65	1.3	N100
SIS5D28N-120R	12	±30	10	76	1.2	N120
SIS5D28N-150R	15	±30	10	103	1.1	N150
SIS5D28N-180R	18	±30	10	110	1.0	N180
SIS5D28N-220R	22	±30	10	122	0.9	N220
SIS5D28N-270R	27	±30	10	175	0.85	N270
SIS5D28N-330R	33	±30	10	189	0.75	N330
SIS5D28N-390R	39	±30	10	212	0.70	N390
SIS5D28N-470R	47	±30	10	250	0.62	N470
SIS5D28N-560R	56	±30	10	305	0.58	N560
SIS5D28N-680R	68	±30	10	355	0.52	N680
SIS5D28N-820R	82	±30	10	463	0.46	N820
SIS5D28N-101R	100	±30	10	520	0.42	N101

Notes:

1. Ordering Information: SIS5D28a - bbbRc.
 SIS5D28 = Product Type.
 a = Tolerance of Inductance (N= ±30%).
 bbb = Inductance value in uH (i.e. 4R2 = 4.2uH; 470 = 47uH; 101 = 100uH).
 R = Internal Control Code.
 c = Packaging Code (U = Tape & Reel Packaging in 7 inch Reel).
2. Test frequency is specified as the frequency for measuring the inductance.
3. Rated D.C. current indicates the value of the current when the inductance is 35% lower than its initial value or the current when temperature rising T=30°C at D.C. superposition.
4. Operating temperature range: -40°C to +125°C.
5. The part temperature (ambient temperature + temperature rise) should not exceed the upper limit of the operating temperature under worst case operating conditions. Circuit design, component placement, PWB



MECHANICAL DIMENSIONS



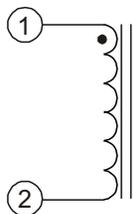
Notes:

trace size and thickness, airflow and other cooling provisions all affect the part temperature. Part temperature should be verified in the end application.

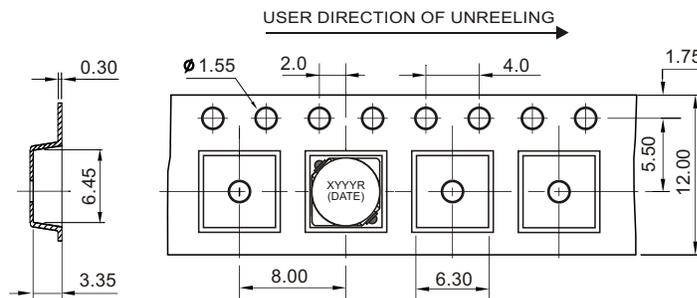
- 6. All dimensions are specified in $\frac{\text{inches}}{\text{mm}}$ with higher precedence in mm.
- 7. Unless otherwise specified, all tolerances are $\pm \frac{0.10}{0.25}$

Weight (in gram)	: 1.0 typ.
Tape & Reel	: 550 / reel

SCHEMATIC



PACKAGING



FOR MORE INFORMATION, PLEASE CONTACT

HEADQUARTER

1/F., Harbour View 1, No.12 Science Park East Avenue,
Phase II, Hong Kong Science Park, Shatin, N.T.

Hong Kong

Tel: (852) 2954 3333 Fax: (852) 2954 3304

Email: eempl@eleceltek.com

Website: <http://www.eleceltek.com> / www.eemagnetic.com

Information herein is for reference only and subject to change without notice. It does not constitute any representation, warranty or commitment of the company in respect of the products in any aspect. All logos, brands and product names mentioned herein are trademarks or registered trademarks of their respective owners. The company does not assume any liability arising out of the application or use of any product or circuit described herein. Copyrights 2009, E & E Magnetic Products Limited.