

# Wide Terminal Thick Film Chip Resistor – BCCW Series



## Features

- RoHS, Halogen Free and REACH Compliance
- Pb contained in glass material element are exempted by RoHS directive

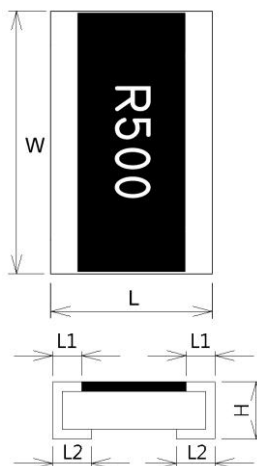
## Applications

- The product is belong to the universal series

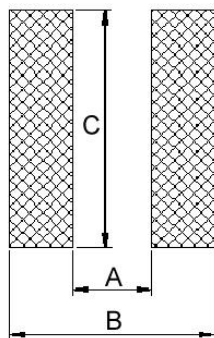
## Product Identification

B	CCW	00	0612	-	R240	F	TP
Grade	Product Series	Control Code	Dimensions Code	Special Code	Nominal Resistance	Tolerance	Taping Code
	Wide Electrode		0508		R050=0.05Ω	F=±1%	TP (5000Pcs) : 0508-0612
	Low Resistance		0612		R240=0.24Ω	J=±5%	TE (4000Pcs) : 1218~1225
	Thick film		1218				
	Resistors		1020				
			1225				

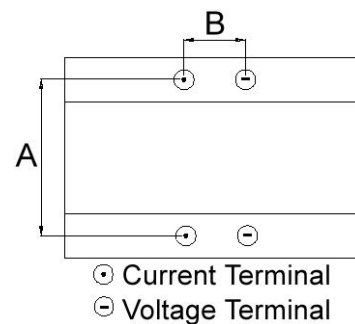
## Configuration and Dimensions



## Recommended Pattern



## Measurement Point



Dimensions in mm

Type	Configuration and Dimensions					Recommended Pattern			Measurement Point	
	L	W	H	L1	L2	A	B	C	A	B
BCCW000508	1.20±0.10	2.00±0.10	0.50±0.10	0.20±0.10	0.20±0.15	0.6	2.2	2.3	1.00±0.05	0.78±0.05
BCCW000612	1.60±0.20	3.20±0.20	0.55±0.10	0.35±0.15	0.25±0.15	0.7	2.6	3.5	1.49±0.05	1.30±0.05
BCCW001218	3.10±0.10	4.60±0.20	0.55±0.10	0.45±0.25	0.40±0.20	1.9	4.1	4.9	2.85±0.05	1.65±0.05
BCCW001020	2.50±0.20	5.00±0.20	0.55±0.10	0.25±0.20	0.90±0.20	0.5	3.5	5.3	2.30±0.05	2.40±0.05
BCCW001225	3.20±0.20	6.40±0.20	0.55±0.10	0.45±0.20	0.75±0.20	1.3	4.2	6.4	3.00±0.05	3.00±0.05

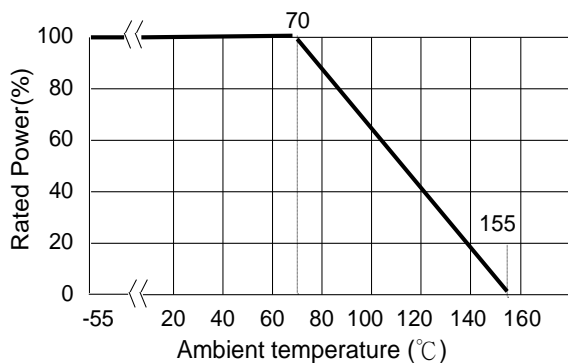
# Wide Terminal Thick Film Chip Resistor – BCCW Series

## Electrical Characteristics Resistance Range:

Type	Rated Power at 70°C (W)	Rated Current (A) Max.	Overload Current (A) Max.	T.C.R (ppm/°C)	Resistance Range (mΩ)
					±1%,±5% E-24、E-96
BCCW000508	1/3	5.77	14.43	±800	10 ≤ R < 30
				±400	30 ≤ R < 56
				±200	56 ≤ R < 180
				±200	180 ≤ R < 1000
BCCW000612	1	8.66	21.65	±2000	10 ≤ R < 30
				±1000	30 ≤ R < 56
				±700	56 ≤ R < 180
				±250	180 ≤ R < 1000
BCCW001218	1	10	25	±2000	10 ≤ R < 30
				±1000	30 ≤ R < 56
				±700	56 ≤ R < 180
				±250	180 ≤ R < 1000
BCCW001020	1	10	25	±800	10 ≤ R < 30
				±400	30 ≤ R < 56
				±200	56 ≤ R < 180
				±200	180 ≤ R < 1000
BCCW001225	2	14.14	35.35	±800	10 ≤ R < 30
				±400	30 ≤ R < 56
				±200	56 ≤ R < 180
				±200	180 ≤ R < 1000
Operating Temperature Range				-55°C ~ +155°C	

**Note: When ordering, please specify tolerance code. Tolerance: F=±1%, J=±5%**

- Power Derating Curve: Operating Temperature Range: -55°C ~ +155°C,  
For resistors operated in ambient temperatures above 70°C, power rating shall be derated in accordance with figure below.



- Rating Current: The resistor shall have a DC continuous working current or a rms. AC continuous working current at commercial-line frequency and wave form corresponding to the power rating, as determined from the following:  
Remark: I: Rating Current.(A), P: Rating Power.(W), R: Nominal Resistance.(Ω)

$$I = \sqrt{P/R}$$

## Legal disclaimer

CHILISIN, its distributors and agents (collectively, "CHILISIN"), hereby disclaims any and all liabilities for any errors, inaccuracies or incompleteness contained in any product related information, including but not limited to product specifications, datasheets, pictures and/or graphics. CHILISIN may make changes, modifications and/or improvements to product related information at any time and without notice.

CHILISIN makes no representation, warranty, and/or guarantee about the fitness of its products for any particular purpose or the continuing production of any of its products. To the maximum extent permitted by law, CHILISIN disclaims (i) any and all liability arising out of the application or use of any CHILISIN product, (ii) any and all liability, including without limitation special, consequential or incidental damages, and (iii) any and all implied warranties, including warranties of fitness for a particular purpose, non-infringement and merchantability.

CHILISIN defined this product is for general electrical use , not design for any application for automotive electrical ,life-saving or life support equipment, or any application which may inflict casualties if CHILISIN product failure occurred. When consumer is using or selling products of CHILISIN without having discussion with the sales representatives and specifically stated the applicability mentioned above in a written form, then the client need to take a full responsibility and agree to protect CHILISIN from punishment and damage.

Information provided here is intended to indicate product specifications only. CHILISIN reserves all the rights for revising this content without further notification, as long as products are unchanged. Any product change will be announced by ECN.