



**Established**

Taiwan , year 1990

**Main Business**

CviLux Brand & ODM/OEM Business

**Key Products**

Connector, FFC, Wire Harness, Cable Assemblies, PCBA, Electronic Components, 3C Product ... etc.

**Competitive Advantage**

- (1) Listed Company in Taiwan Stock Market (TWSE8103)
- (2) Worldwide Sales Network
- (3) Advance ERP & Customer Service
- (4) Integrated Marketing Service System
- (5) Turnkey Green Product Solution
- (6) International Standard of QC & Certificates

**Factory & Office Location**

Taiwan – Tamsui Plant – Headquarters (CCT)

- China – Dongguan Plant – 1 (CED)
- Dongguan Plant – 2 (DQH)
- Dongguan Plant – 3 (CED2)
- Suzhou Plant (HBC)
- Chongqing Plant (CQC)
- Anhui Plant (AHC)
- Shenzhen Office (CTS)

- Lao – Lao Plant (LAO)
- USA – USA Office (CUC)

**Sales Agent**

Allsor Technology Corporation (Taiwan)  
Allsor (Dongguan) Technology Corporation (China)

**Quality Policy**

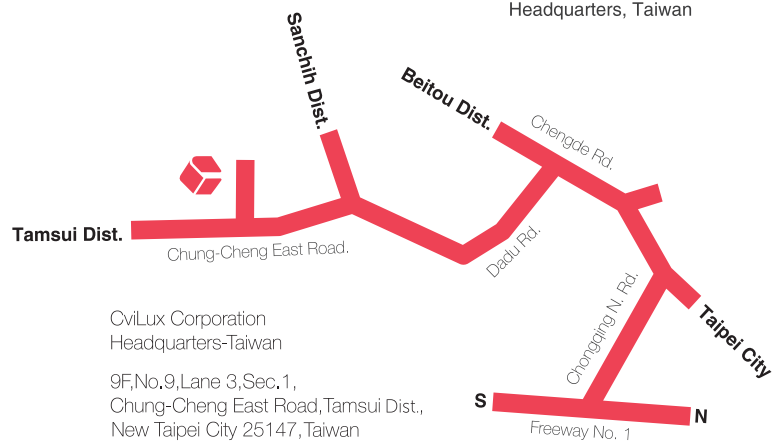
Improve Our Product Quality & Operation System  
To Satisfy Our Customer's Demand

**I.P.O.**

TWSE8103 (Taiwan Stock Exchange Corp.)



CviLux Corporation Headquarters, Taiwan



CviLux Corporation Headquarters-Taiwan

9F, No. 9, Lane 3, Sec. 1,  
Chung-Cheng East Road, Tamsui Dist.,  
New Taipei City 25147, Taiwan



CviLux Electronics (Dongguan) Co., Ltd.



CviLux Technology (Shenzhen) Corporation



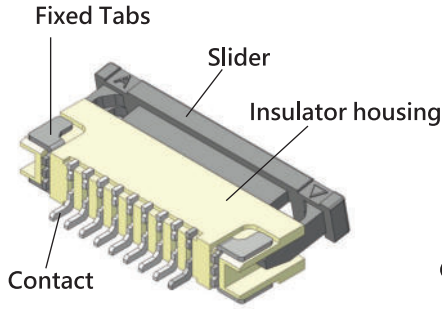
CviLux Technology (Chongqing) Corporation



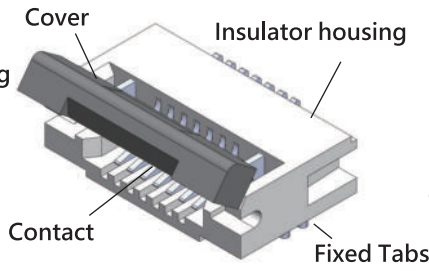
Dongguan Qunhan Electronics Co., Ltd.

Construction of Connector

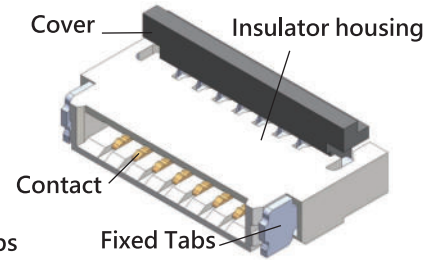
◎ Zero Insertion Force Type (ZIF)



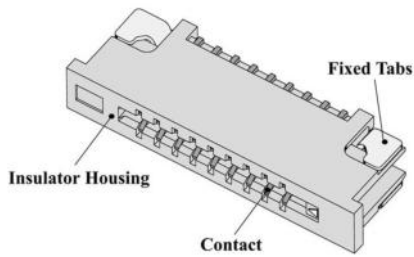
Slider Type



Front Flip actuator

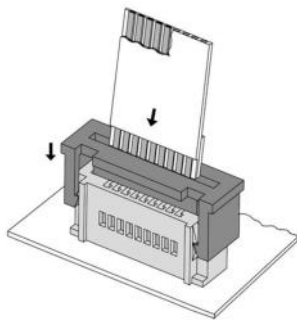


Back Flip actuator

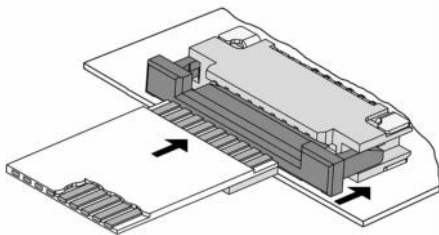


◎ Low Insertion Force Type (LIF)

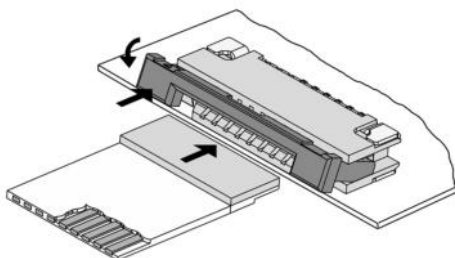
Applications



◎ Top Entry

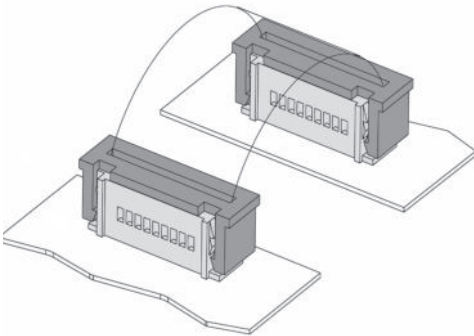


◎ Side Entry to Upside Contact Connector



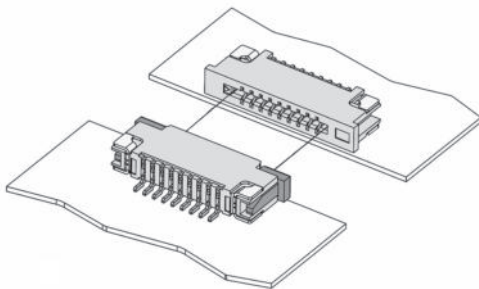
◎ Side Entry to Downside Contact Connector

Connection Combinations of Connector and FFC Cable



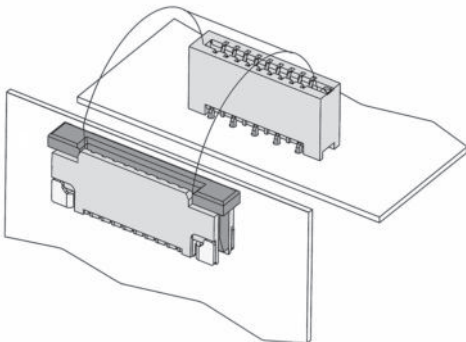
**Both Ends with Zero Insertion Force Type Connector**

⊙ Top Entry to Top Entry



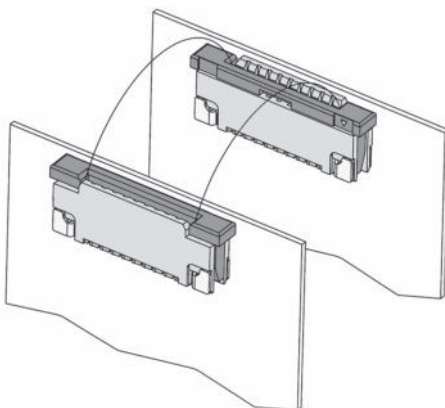
**Low Insertion Force Connector to Zero Insertion Force Connector**

⊙ Side Entry to Side Entry



**Low Insertion Force Connector to Zero Insertion Force Connector**

⊙ Top Entry to Side Entry

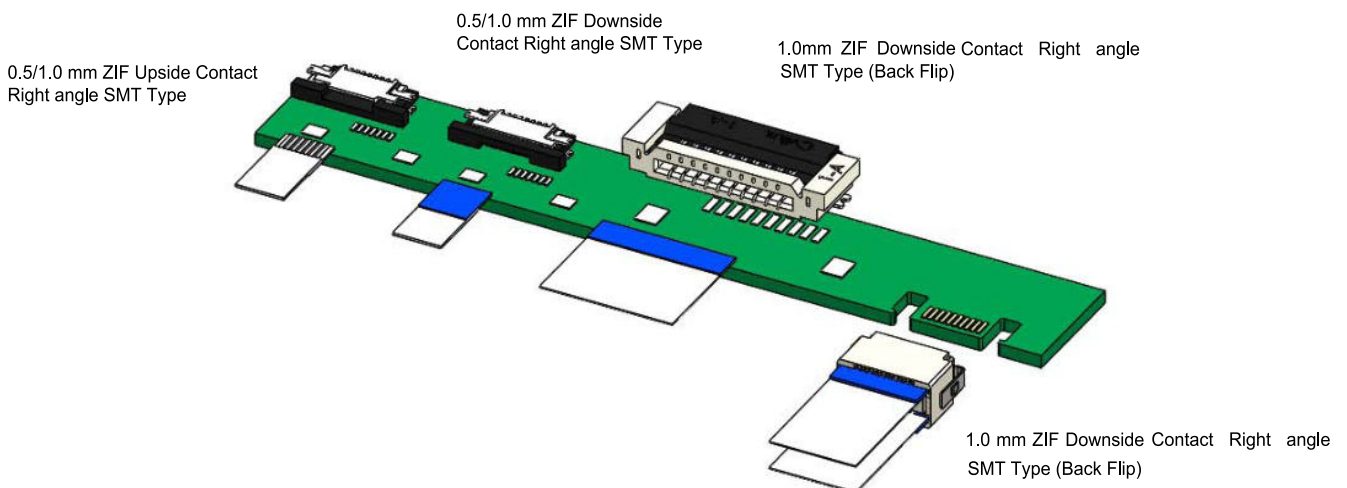
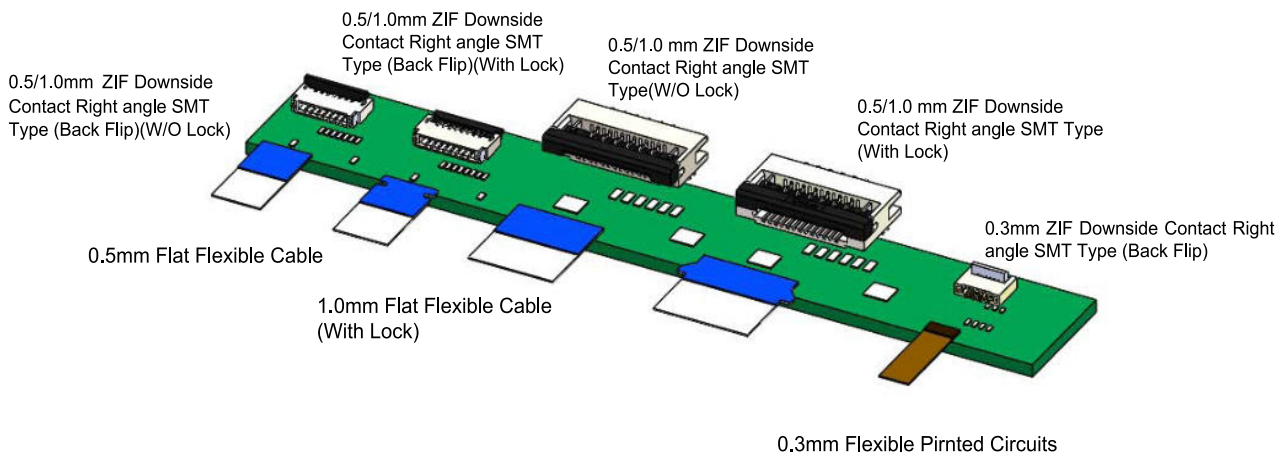
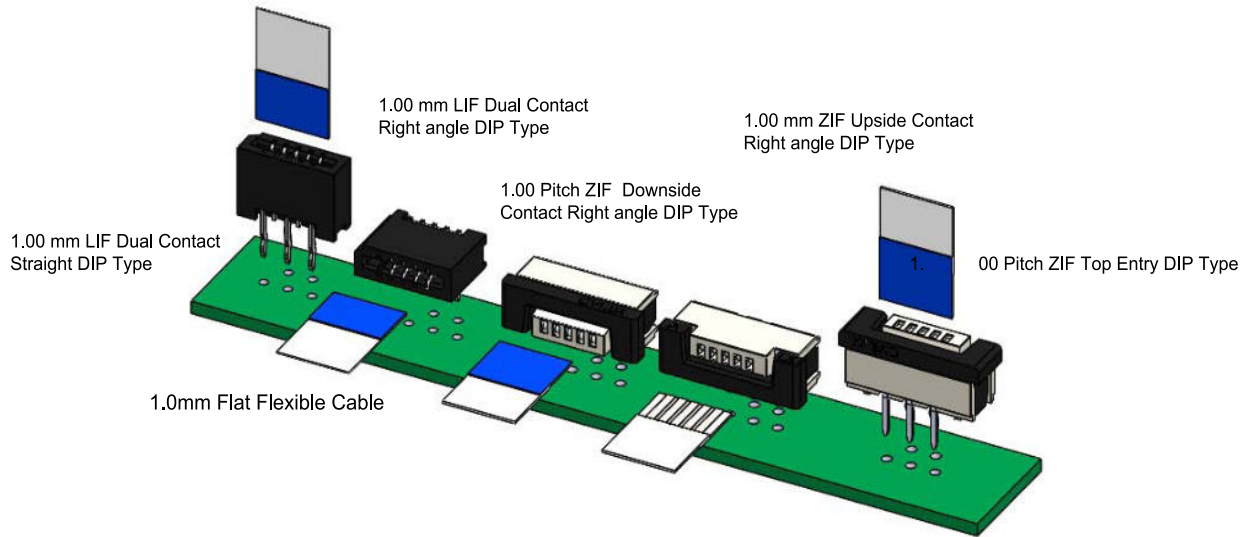


**Both Ends with Zero Insertion Force Connector**

⊙ Side Entry to Side Entry

Connection Combinations of Connector and FFC Cable

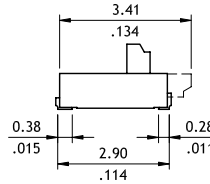
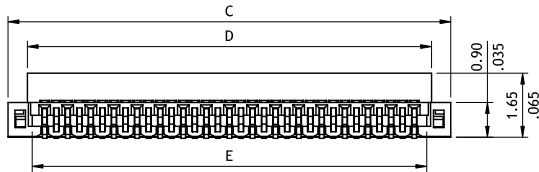
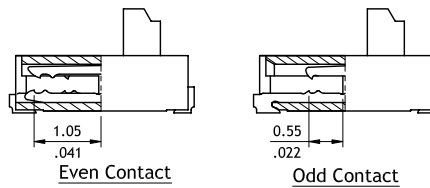
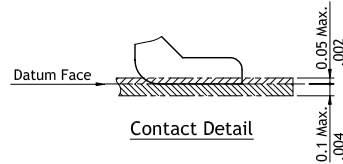
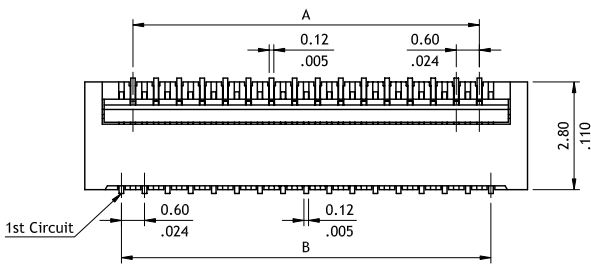
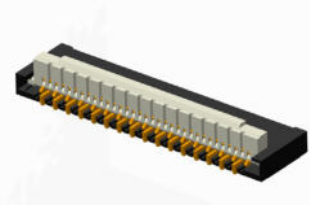
CF



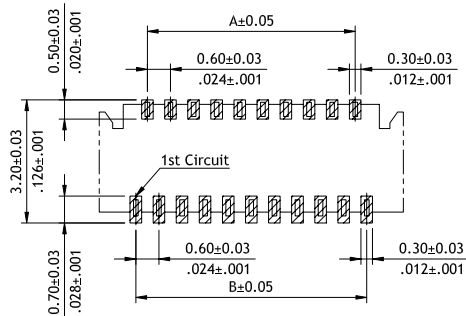
CF58 Series 0.30mm(.012")H=0.90 SMT ZIF FFC/FPC Connectors (Back Flip actuator)

- ⊙ 0.90mm above the board
- ⊙ Insulation: High temperature plastic UL 94V-0, Color Black
- ⊙ Cover: High temperature plastic UL 94V-0, Color Brown
- ⊙ Designed easy for FPC installation and reliable operation

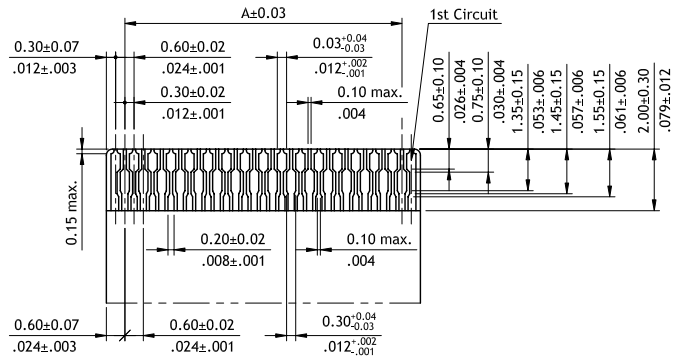
RoHS Compliant 



- A = 0.3 \* No. of Spaces
- B = A + 0.6
- C = A + 2.5
- D = A + 1.5
- E = A + 1.25



Recommended P.C Board Layout



Recommended FPC Dimension  
Thickness: 0.2±0.03mm

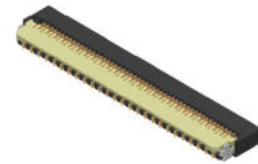
Ordering Code

① ② ③ ④ ⑤ ⑥ ⑦ ⑧  
CF58 61 F H 1 R A - NH

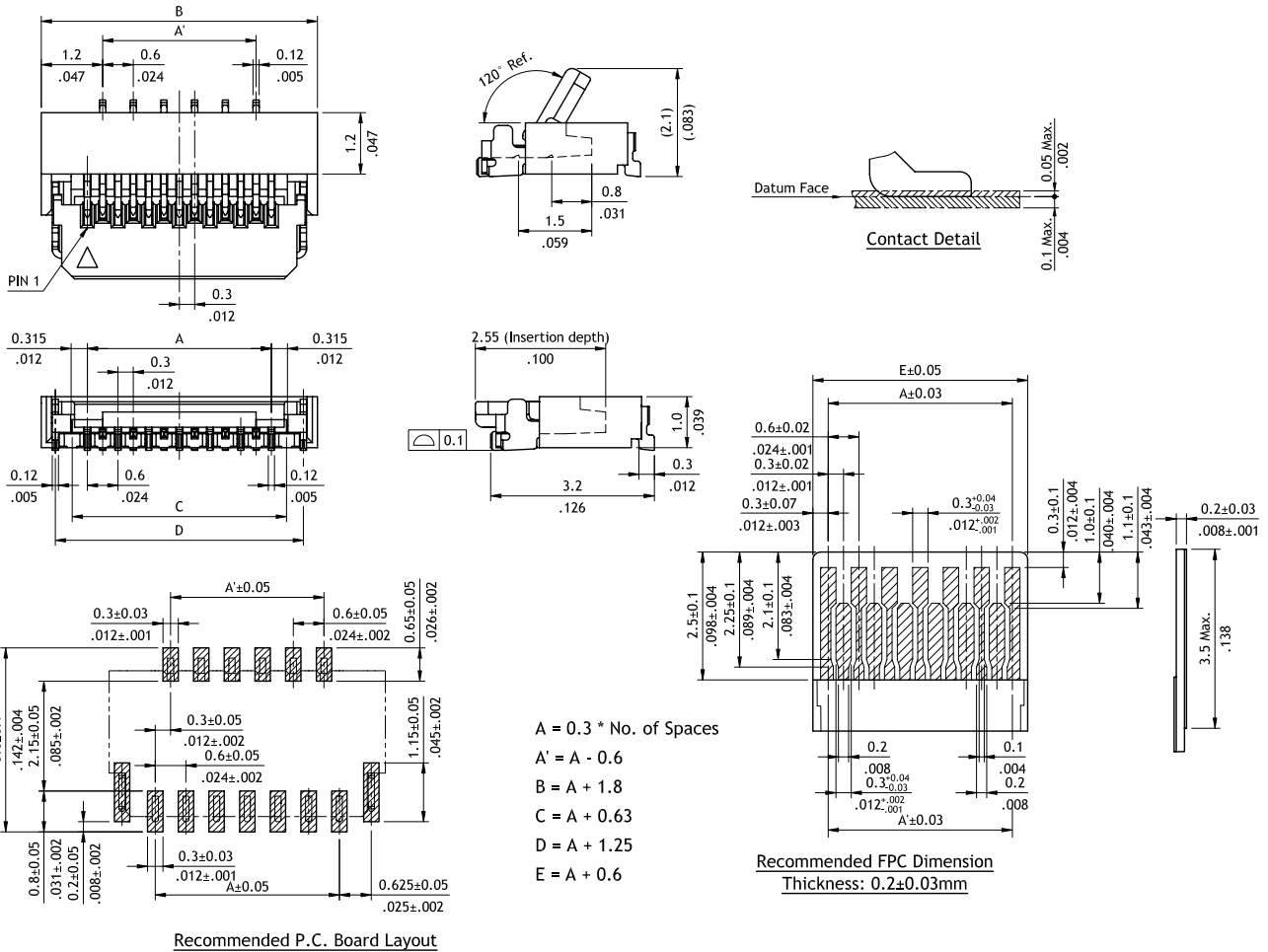
- ① Series No.
- ② No. of Circuits: 07 ~ 61  
(Available: 7, 11, 23, 25, 51, 61)  
\*Circuits not found above please consult manufacturer\*
- ③ Plating Code:  
F = Selective Gold flash over Nickel
- ④ Contact Style : H = Side Entry
- ⑤ Color: 1 = Black
- ⑥ Packing : R = Tape & Reel
- ⑦ Other Options:  
0 = Standard (Only for 7pin)  
A = Standard \*Special option consult manufacturer
- ⑧ NH = For Lead Free IR process and Halogen-Free

**CF38 Series 0.30mm(.012") H=1.00 SMT ZIF FFC/FPC Connectors (Front Flip actuator)**

- ⊙ 1.0mm above the board
- ⊙ FPC zero insertion force and high retention force
- ⊙ Insulator: High temperature plastic UL 94V-0, Color Black
- ⊙ Cover: High temperature plastic UL 94V-0, Color Nature
- ⊙ Designed easy for FPC installation and reliable operation
- ⊙ With metal fixed tabs to secure connector in place



RoHS Compliant



**Ordering Code**

① ② ③ ④ ⑤ ⑥ ⑦  
**CF38 39 2 D 1 R0 - NH**

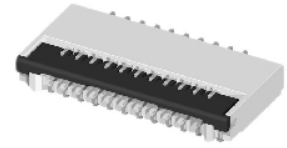
- ① Series No.
- ② No. of Circuits: 13 ~ 71  
 (Available: 13, 15, 21, 23, 25, 31, 35, 39, 41, 45, 51, 57, 61, 71)  
 \*Circuits not found above please consult manufacturer\*

- ③ Plating Code: 2 = Gold flash over Nickel
- ④ Contact Style: D = Downside Contact
- ⑤ Color: 1 = Black
- ⑥ Packing: R0= Tape & Reel
- ⑦ NH = For Lead Free IR process and Halogen-Free

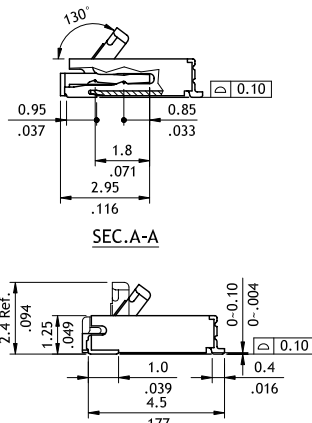
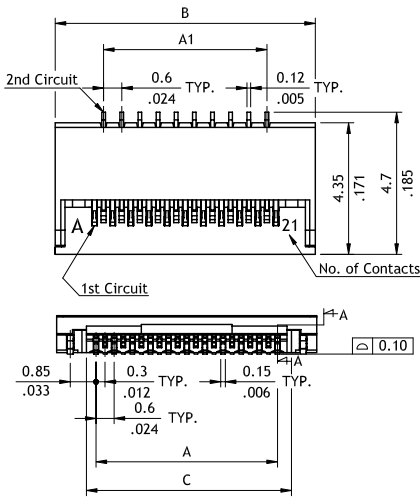
CF30 Series 0.30mm(.012")H=1.25 SMT ZIF One-Touch FFC/FPC Connectors

- Ⓞ 1.25mm above the board
- Ⓞ FPC zero insertion force and high retention force
- Ⓞ Insulator: High temperature plastic UL 94V-0, Color Nature
- Ⓞ Cover: High temperature plastic UL 94V-0, Color Black
- Ⓞ Designed easy for FPC installation and reliable operation
- Ⓞ With metal fixed tabs to secure connector in place
- Ⓞ Accepts 0.2mm thickness FPC

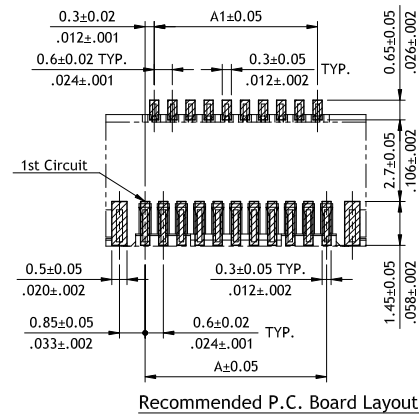
RoHS Compliant   



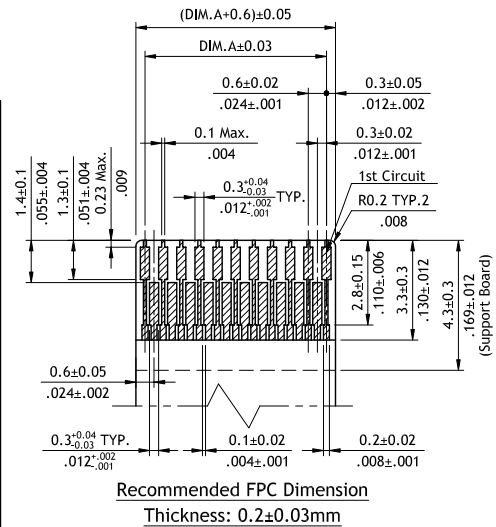
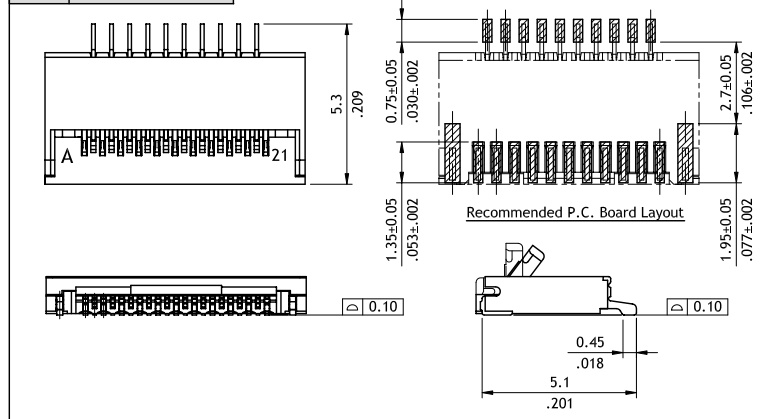
P/N CF30\*\*2D0RA-NH



A = 0.3 \* (No. of Contacts - 1)  
 A1 = A - 0.6  
 B = A + 2.6  
 C = A + 0.63



P/N CF30\*\*2D0RB-NH



Ordering Code

① ② ③ ④ ⑤ ⑥ ⑦ ⑧  
**CF 30 4 5 2 D 0 R A - NH**

- ① Series No.
- ② No. of Circuits: 11 ~ 45  
(Available: 11,21,25,31,35,37, 39,41,45)  
\*Circuits not found above please consult manufacturer\*

- ③ Plating Code:  
2 = Gold flash over Nickel
- ④ Contact Style:  
D = Downside Contact
- ⑤ Color: 0 = Nature
- ⑥ Packing: R = Tape & Reel

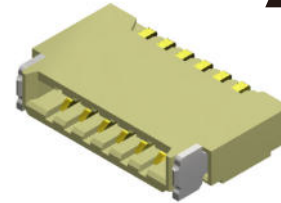
- ⑦ Other Options:  
A = Lead-Less Type  
B = Lead Type  
\* Special options consult manufacturer
- ⑧ NH = For Lead Free IR process and Halogen-Free



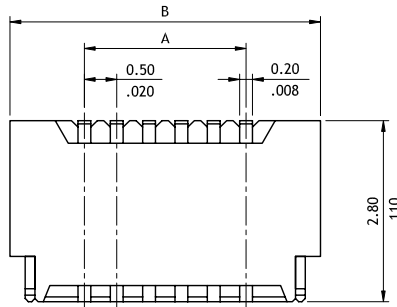
**CF86 Series 0.5mm(.020") H=0.90 SMT ZIF FFC/FPC Connectors**

- ⊙ 0.9mm above the board
- ⊙ Body : LCP With 30% G.F 94V-0 Color Nature
- ⊙ Contact : Copper alloy

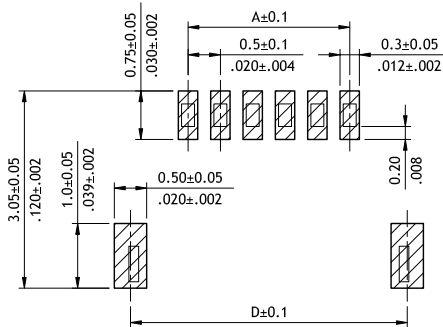
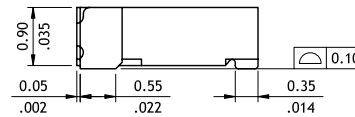
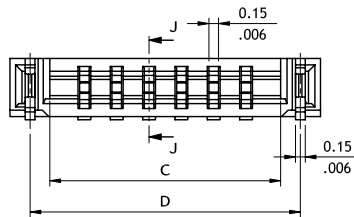
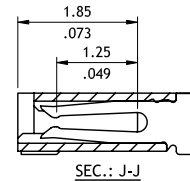
**NEW**



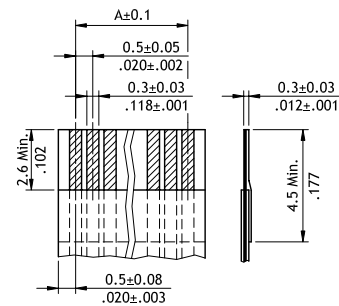
RoHS Compliant



A = 0.50 x No. of Spaces  
 B = A + 2.3  
 C = A + 1.07  
 D = A + 1.68



Recommended P.C Board Layout



Accommodated FFC

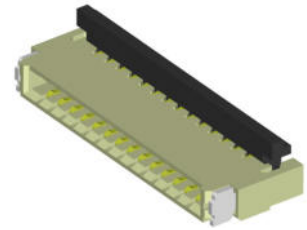
**Ordering Code**

① ② ③ ④ ⑤ ⑥ ⑦ ⑧  
**CF 8 6 3 0 2 H 0 R 0 - NH**

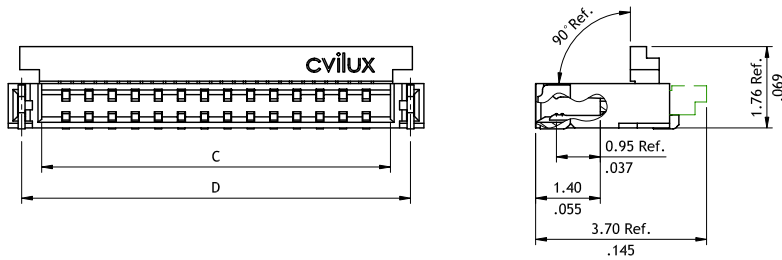
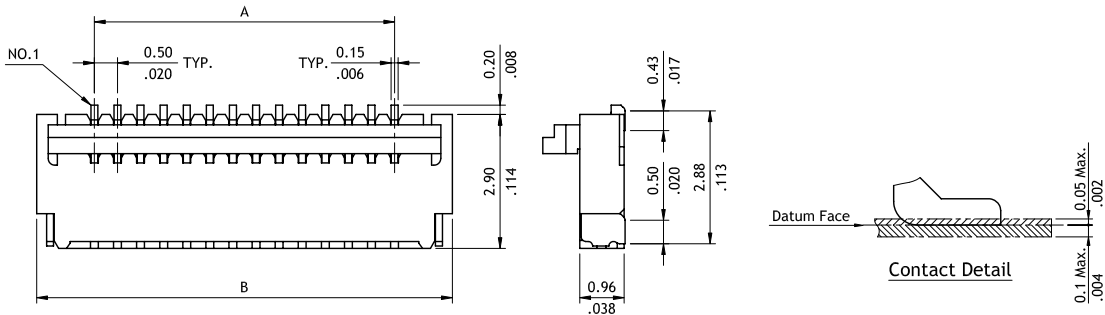
- ① Series No.
- ② No. of Circuits: 04 ~ 30
- ③ Plating Code:  
2 = Gold flash over Nickel plated
- ④ Contact style :  
H = Side Entry
- ⑤ Color : 0 = Nature
- ⑥ Packing Option : R = Tape & Reel
- ⑦ Options : 0 = Standard
- ⑧ NH = For Lead Free soldering process and Halogen-Free

**CF42 Series 0.50mm(.020")H=0.96 SMT ZIF FFC/FPC Connectors (Back Flip actuator )**

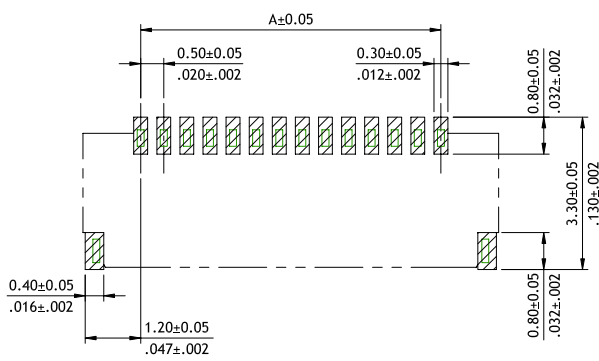
- ⊙ 0.96mm above the board
- ⊙ FFC/FPC zero insertion force and high retention force
- ⊙ Insulator: High temperature plastic UL 94V-0, Color Nature
- ⊙ Cover: High temperature plastic UL 94V-0, Color Black
- ⊙ Designed easy for FFC/FPC installation and reliable operation
- ⊙ With metal fixed tabs to secure connector in place



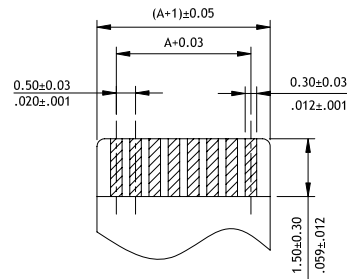
**RoHS** Compliant



A = 0.5 \* No. of Spaces  
 B = A + 2.5  
 C = A + 1.05  
 D = A + 1.92



**Recommended P.C Board Layout**



**Accommodated FFC/FPC  
 Thickness: 0.3±0.03**

**Ordering Code**

① ② ③ ④ ⑤ ⑥ ⑦ ⑧ ⑨  
**CF 4 2 2 0 F H 0 R 0 - 05 - NH**

- ① Series No.
- ② No. of Circuits: 02 ~50  
 (Available: 2~30,34,36,40,45,50)  
 \*Circuits not found above  
 please consult manufacturer\*

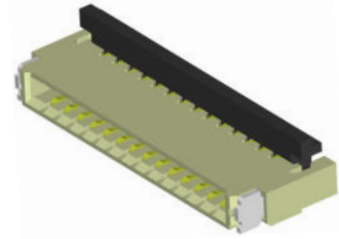
- ③ Plating Code:  
 1 = Matte Tin over Nickel  
 F = Gold flash over Nickel
- ④ Contact Style:  
 H = Dual Side
- ⑤ Color: 0 = Nature

- ⑥ Packing:  
 R = Tape & Reel
- ⑦ Other Options:  
 0 = Standard
- ⑧ Pitch: 05 = 0.50 mm
- ⑨ NH = For Lead Free IR process  
 and Halogen-Free

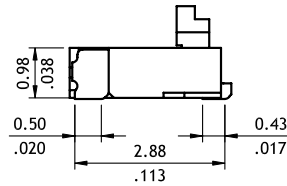
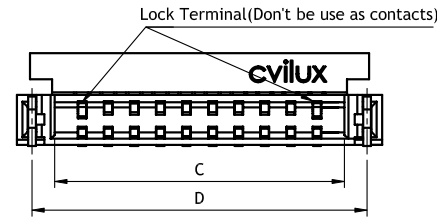
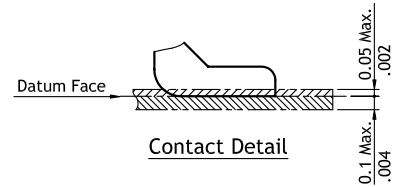
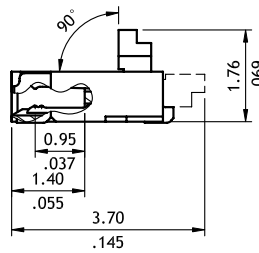
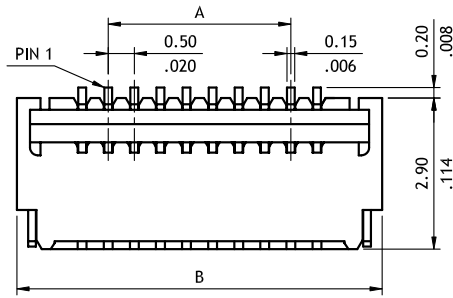
**CF42 Series 0.50mm(.020")H=0.96 SMT ZIF FFC/FPC Connectors (Back Flip actuator)**

CF

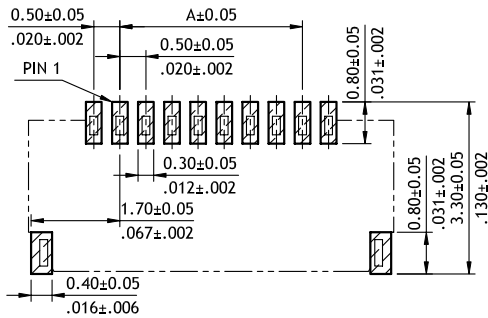
- ⊙ 0.96mm above the board
- ⊙ FFC/FPC zero insertion force and high retention force
- ⊙ Insulator: High temperature plastic UL 94V-0, Color Nature
- ⊙ Cover: High temperature plastic UL 94V-0, Color Black
- ⊙ Designed easy for FFC/FPC installation and reliable operation
- ⊙ With metal fixed tabs to secure connector in place



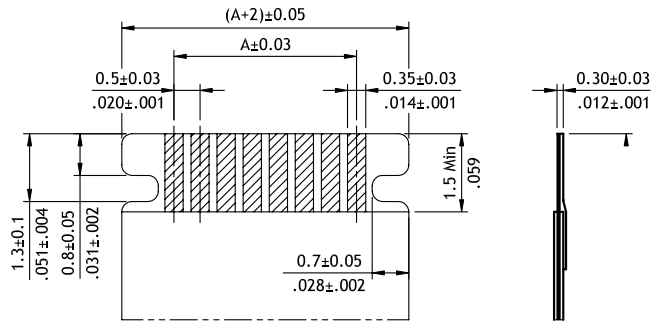
RoHS Compliant



A = 0.5 \* (No. of Spaces-1)  
 B = A + 3.5  
 C = A + 2.05  
 D = A + 2.92



Recommended P.C Board Layout



Accommodated FFC/FPC

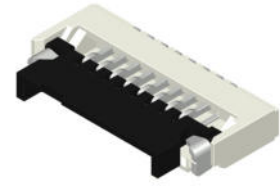
**Ordering Code**

① ② ③ ④ ⑤ ⑥ ⑦ ⑧ ⑨  
**CF 4 2 0 8 F H 0 R A - 05 - NH**

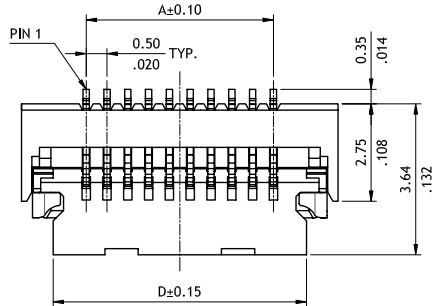
- ① Series No.
- ② No. of Circuits: 04 ~ 29 (Available: 4, 6, 8, 10)  
\*Circuits not found above please consult manufacturer\*
- ③ Plating Code:  
1 = Matte Tin over Nickel  
F = Selective Gold flash over Nickel
- ④ Contact Style:  
H = Dual Side
- ⑤ Color: 0 = Nature
- ⑥ Packing : R = Tape & Reel
- ⑦ Other Options:  
A = Inner Lock Type
- ⑧ Pitch: 05 = 0.50 mm
- ⑨ NH = For Lead Free IR process and Halogen-Free

CF35 Series 0.50mm(.020")H=0.96 SMT ZIF One-Touch FFC/FPC Connectors

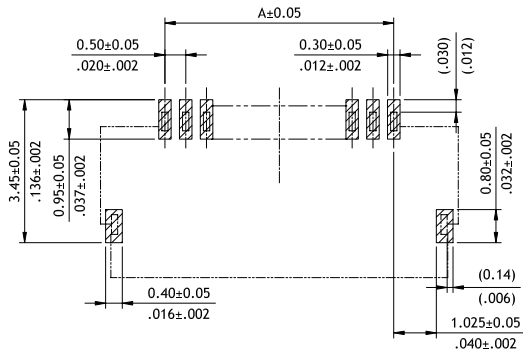
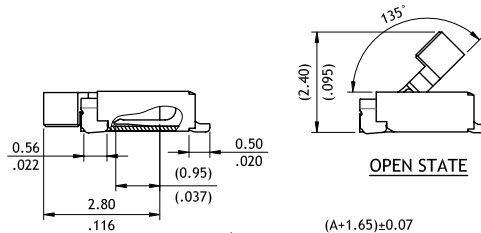
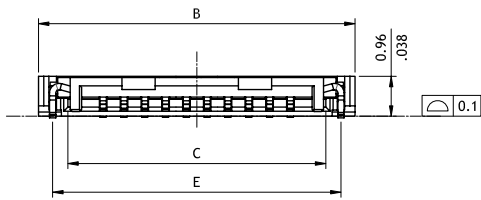
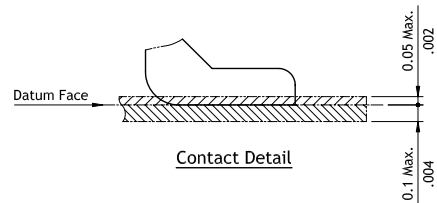
- ⊙ 0.96mm above the board
- ⊙ FFC/FPC zero insertion force and high retention force
- ⊙ Insulation: High temperature plastic UL 94V-0, Color Nature
- ⊙ Cover: High temperature plastic UL 94V-0, Color Black
- ⊙ Actuator designed easy for FFC/FPC installation and reliable operation
- ⊙ With metal fixed tabs to secure connector in place



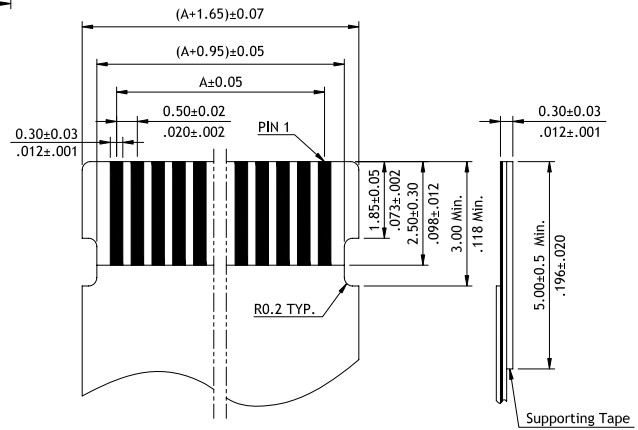
RoHS Compliant



A = 0.5 \* No. of Spaces  
 B = A + 3.1  
 C = A + 1.7  
 D = A + 1.6  
 E = A + 2.42



Recommended P.C. Board Layout



Accommodated FFC/FPC

Ordering Code

① ② ③ ④ ⑤ ⑥ ⑦  
**CF 3 5 0 8 2 D 0 RD - NH**

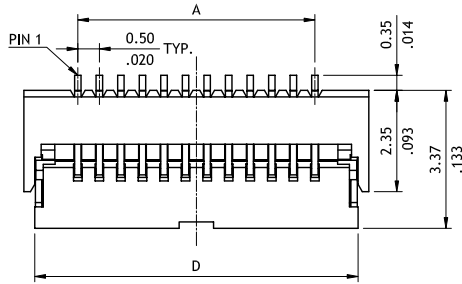
- ① Series No.
- ② No. of Circuits: 04 ~ 30
- ③ Plating Code:  
2 = Gold flash over Nickel
- ④ Contact Style:  
D = Downside Contact
- ⑤ Color: 0 = Nature
- ⑥ Packing : RD = Tape & Reel
- ⑦ NH = For Lead Free IR process and Halogen-Free

**CF35 Series 0.50mm(.020")H=0.96 SMT ZIF One-Touch FFC/FPC Connectors**

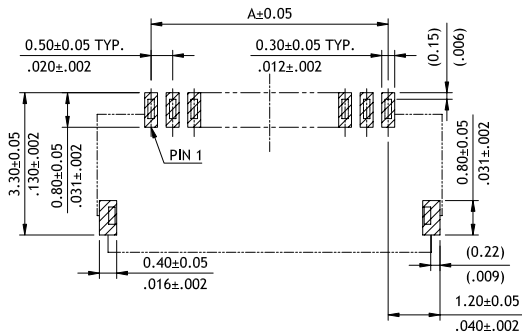
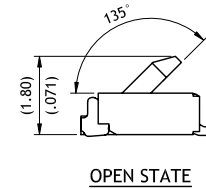
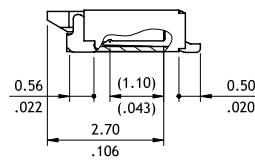
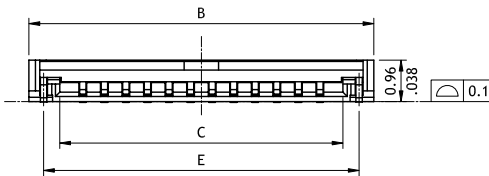
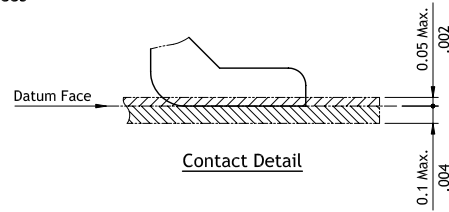
- ⊙ 0.96mm above the board
- ⊙ FFC/FPC zero insertion force and high retention force
- ⊙ Insulation: High temperature plastic UL 94V-0, Color Nature
- ⊙ Cover: High temperature plastic UL 94V-0, Color Black
- ⊙ Actuator designed easy for FFC/FPC installation and reliable operation
- ⊙ With metal fixed tabs to secure connector in place



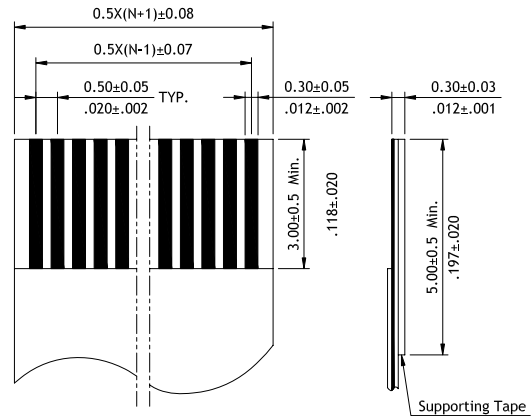
RoHS Compliant



A = 0.5 \* No. of Spaces  
 B = A + 2.5  
 C = A + 1.1  
 D = A + 1.9  
 E = A + 1.82



Recommended P.C. Board Layout



Accommodated FFC/FPC

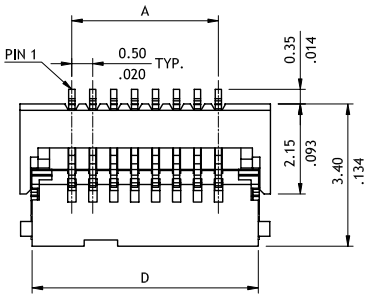
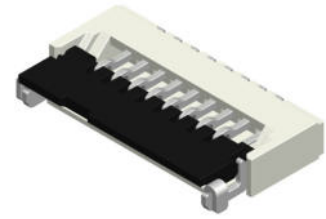
**Ordering Code**

① ② ③ ④ ⑤ ⑥ ⑦  
**CF 3 5 0 6 2 D 0 RE - NH**

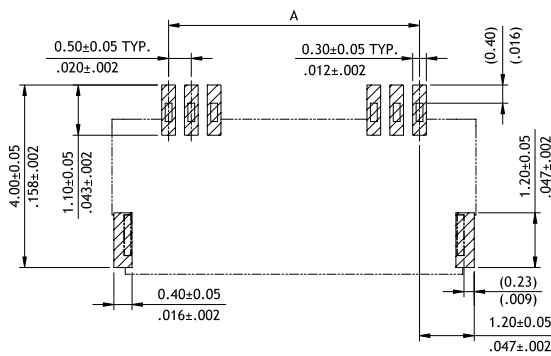
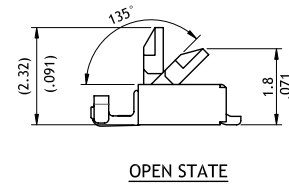
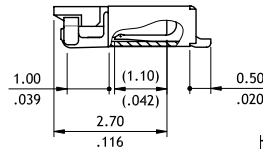
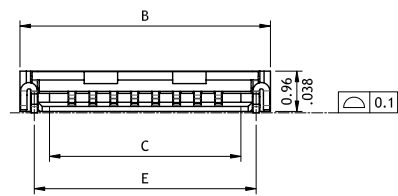
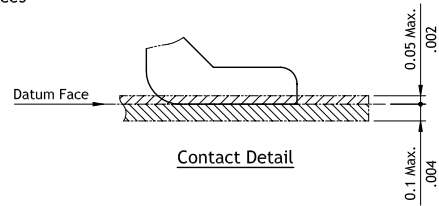
- ① Series No.
- ② No. of Circuits: 04 ~ 30
- ③ Plating Code:  
2 = Gold flash over Nickel
- ④ Contact Style:  
D = Downside Contact
- ⑤ Color: 0 = Nature
- ⑥ Packing: RE = Tape & Reel
- ⑦ NH = For Lead Free IR process and Halogen-Free

CF35 Series 0.50mm(.020")H=0.96 SMT ZIF One-Touch FFC/FPC Connectors

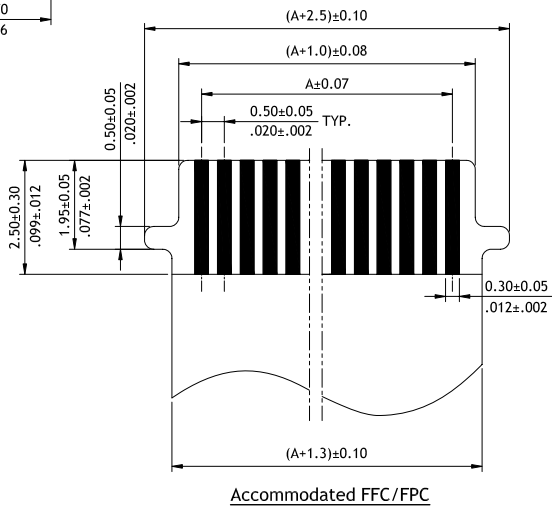
- ⊙ 0.96mm above the board
- ⊙ FFC/FPC zero insertion force and high retention force
- ⊙ Insulation: High temperature plastic UL 94V-0, Color Nature
- ⊙ Cover: High temperature plastic UL 94V-0, Color Black
- ⊙ Actuator designed easy for FFC/FPC installation and reliable operation
- ⊙ With metal fixed tabs to secure connector in place



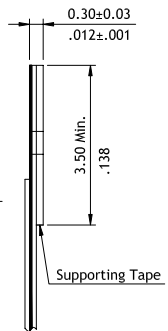
A = 0.5 \* No. of Spaces  
 B = A + 2.5  
 C = A + 1.1  
 D = A + 1.9  
 E = A + 1.80



Recommended P.C. Board Layout



Accommodated FFC/FPC



Ordering Code

① ② ③ ④ ⑤ ⑥ ⑦  
**CF35 06 2 D 0 RM - NH**

- ① Series No.
- ② No. of Circuits: 04 ~ 30
- ③ Plating Code :  
2 = Gold flash over Nickel

- ④ Contact Style:  
D = Downside Contact
- ⑤ Color: 0 = Nature
- ⑥ Packing : RM = Tape & Reel

⑦ NH = For Lead Free IR process and Halogen-Free

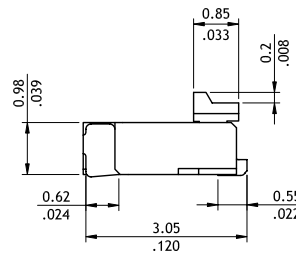
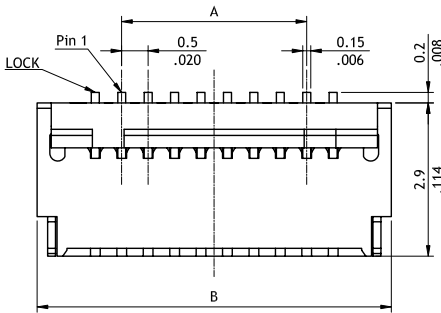
**CF87 Series 0.5mm(.020") H=0.98 SMT ZIF FFC/FPC Connectors (Back Flip actuator)**

CF

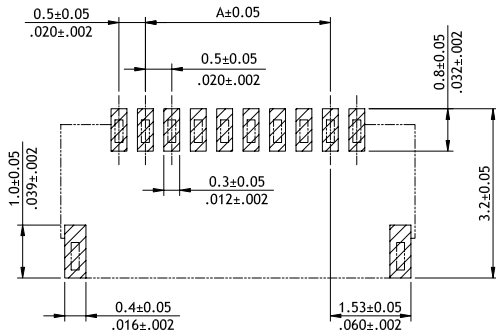
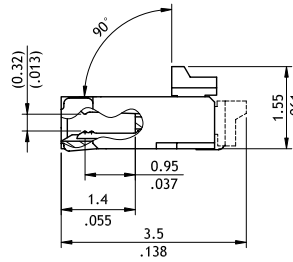
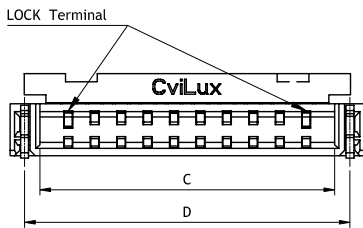
- ⊙ 0.98mm above the board
- ⊙ FFC/FPC zero insertion force and high retention force
- ⊙ Insulator: High temperature plastic UL 94V-0, Color Nature
- ⊙ Cover : High temperature plastic UL 94V-0, Color Black
- ⊙ Actuator designed easy for FPC installation and reliable operation
- ⊙ With metal fixed tabs to secure connector in place



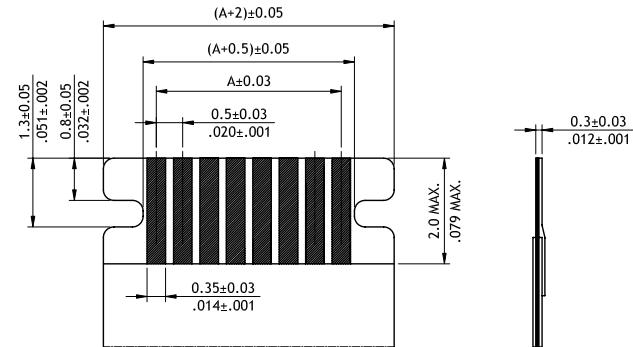
RoHS Compliant



A = 0.5 \* No. of Spaces  
 B = A + 3.2  
 C = A + 2.05  
 D = A + 2.65



Recommended P.C. Board Layout



Accommodated FFC/FPC

**Ordering Code**

① ② ③ ④ ⑤ ⑥ ⑦ ⑧ ⑨  
**CF87 301 H0R0-05-NH**

- ① Series No.
- ② No. of Circuits: 04 ~ 30
- ③ Plating Code:  
 1 = Matte Tin over Nickel  
 F = Gold flash over Nickel

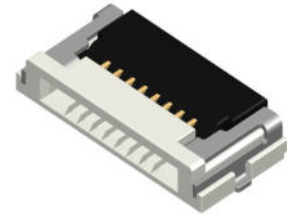
- ④ Contact style :  
 H = Dual Side
- ⑤ Color : 0 = Nature
- ⑥ Packing Option :  
 R = Tape & Reel

- ⑦ Options: 0 = Standard
- ⑧ Pitch : 05=0.5mm
- ⑨ NH = For Lead Free soldering process and Halogen-Free

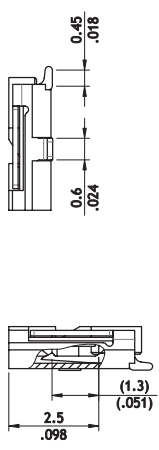
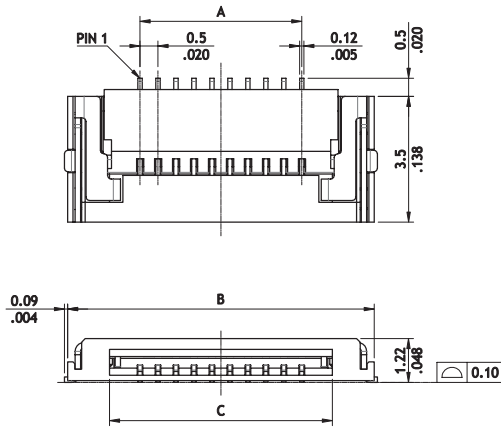
FFC & FPC CONNECTOR

CF92 Series 0.50mm(.020") H=1.22 SMT ZIF Automatic FFC/FPC Connectors

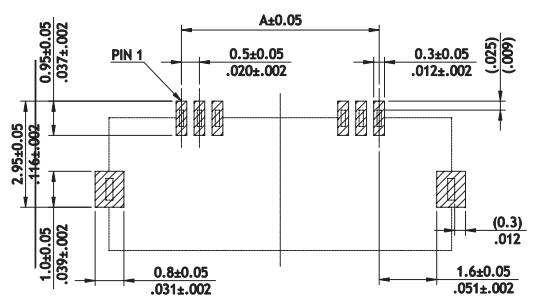
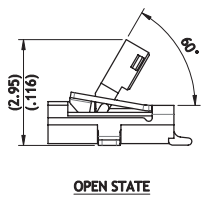
- ⊙ 1.22mm above the board
- ⊙ Insulator: High temperature plastic UL 94V-0, Color Nature
- ⊙ Cover : High temperature plastic UL 94V-0, Color Black
- ⊙ Actuator designed easy for FPC installation and reliable operation
- ⊙ With metal fixed tabs to secure connector in place



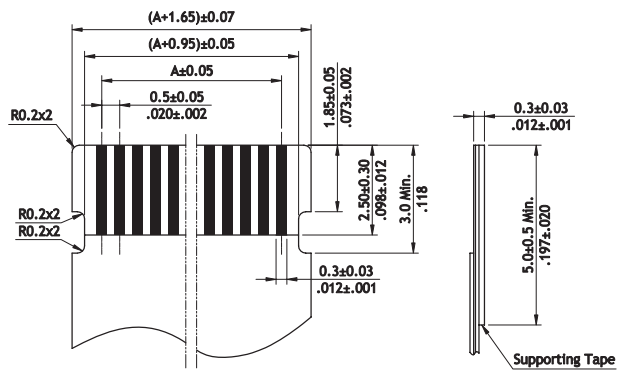
RoHS Compliant



A = 0.5 x No. of Spaces  
 B = A + 4.05  
 C = A + 1.7



Recommended P.C. Board Layout



Accommodated FFC/FPC

Ordering Code

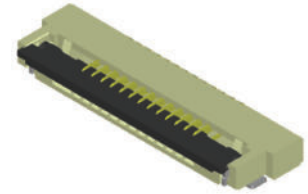
① ② ③ ④ ⑤ ⑥ ⑧ ⑨  
**CF 92 4 0 1 D 0 R0 - 05 - NH**

- ① Series No.
- ② No. of Circuits: 4 , 40
- ③ Plating Code:  
 1 = Matte Tin over Nickel  
 F = Gold flash over Nickel
- ④ Contact style :  
 D = Downside Contact
- ⑤ Color : 0 = Nature
- ⑥ Packing : R0 = Tape & Reel
- ⑦ 05 = Pitch 0.50mm
- ⑧ NH = For Lead Free soldering process and Halogen-Free

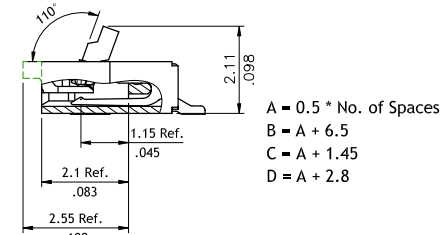
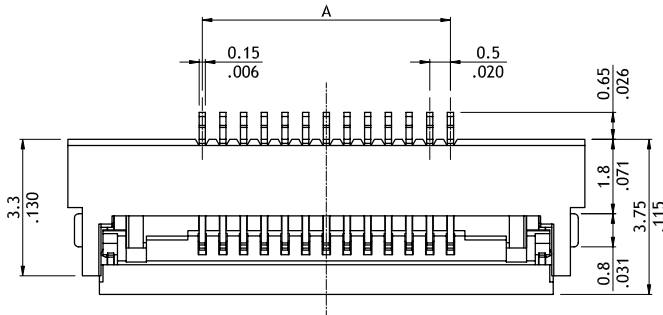


**CF55 Series 0.50mm(.020")H=1.25 SMT ZIF FFC/FPC Connectors**

- ⊙ 1.25mm above the board
- ⊙ FFC/FPC zero insertion force and high holding force
- ⊙ Insulation: High temperature plastic UL 94V-0, Color Nature
- ⊙ Cover: High temperature plastic UL 94V-0, Color Black
- ⊙ Actuator designed easy for FFC/FPC installation and reliable operation
- ⊙ With metal fixed tabs to secure connector in place

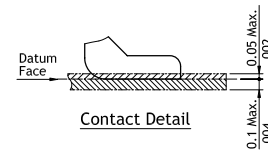
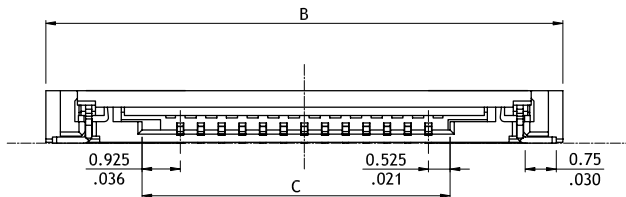


RoHS Compliant

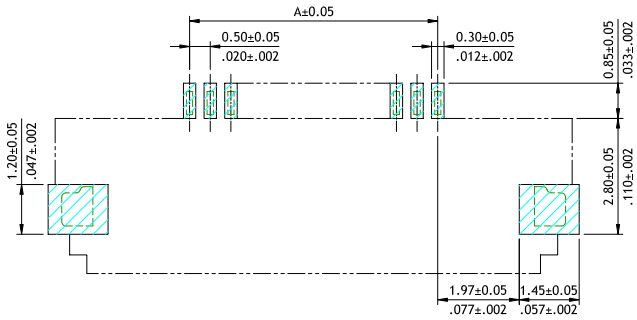


A = 0.5 \* No. of Spaces  
 B = A + 6.5  
 C = A + 1.45  
 D = A + 2.8

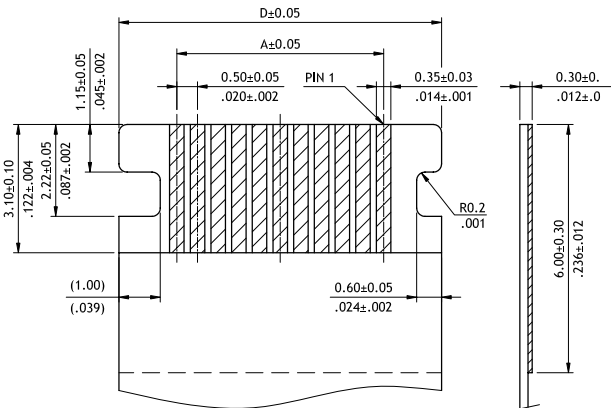
Cover open status



Contact Detail



Recommended P.C Board Layout



Accommodated FFC/FPC

**Ordering Code**

① ② ③ ④ ⑤ ⑥ ⑦ ⑧ ⑨  
**CF55 12 F D 0 R A - 05 NH**

① Series No.

② No. of Circuits: 6-40  
 (Available: 6,12)

\*Circuits not found above  
 please consult manufacturer\*

③ Plating Code:

F = Selective Gold flash over  
 Nickel

④ Contact Style:

D = Downside Contact

⑤ Color: 0 = Nature

⑥ Packing : R = Tape & Reel

⑦ Other Options:

A = Without Mylar

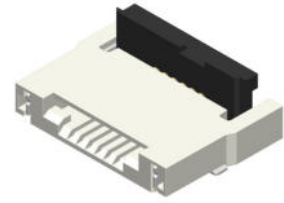
⑧ Pitch : 05 = 0.50mm

⑨ NH = For Lead Free IR process  
 and Halogen-Free

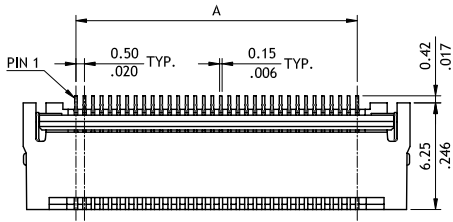
CF88 Series 0.5mm(.020") H=1.57 SMT ZIF FFC/FPC Connectors (Back Flip actuator)

- ⊙ 1.57mm above the board
- ⊙ FFC/FPC zero insertion force and high retention force
- ⊙ Insulator: High temperature plastic UL 94V-0, Color Nature
- ⊙ Cover : High temperature plastic UL 94V-0, Color Black
- ⊙ Actuator designed easy for FPC installation and reliable operation
- ⊙ With metal fixed tabs to secure connector in place

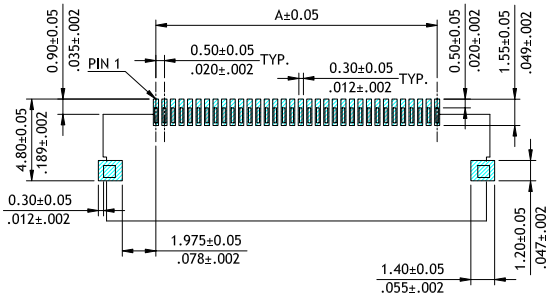
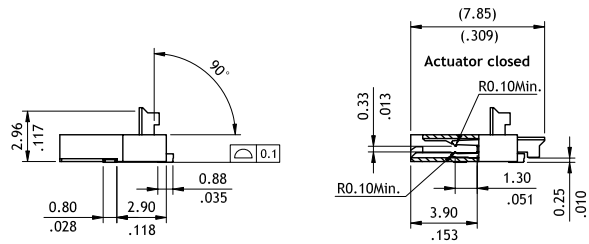
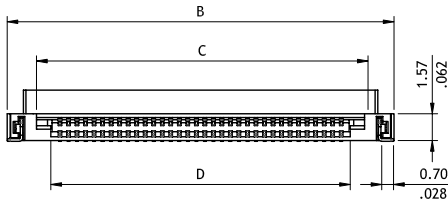
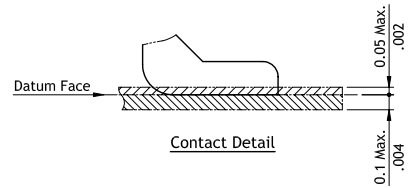
**NEW**



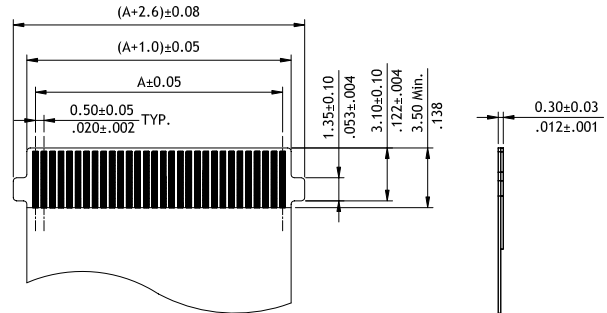
RoHS Compliant



A = 0.5 \* No. of Spaces  
 B = A + 6.2  
 C = A + 2.75  
 D = A + 1.1



Recommended P.C. Board Layout



Accommodated FFC/FPC

Ordering Code

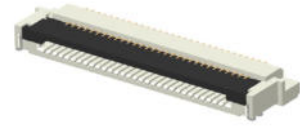
① ② ③ ④ ⑤ ⑥ ⑦ ⑧  
**CF 8 8 3 0 1 H 0 R0 - 05 - NH**

- ① Series No.
- ② No. of Circuits: 04 ~ 30
- ③ Plating Code:  
 1 = Matte Tin over Nickel  
 F = Gold flash over Nickel
- ④ Contact style : H = Dual Side
- ⑤ Color : 0 = Nature
- ⑥ Packing Option : RD = Tape & Reel
- ⑦ Pitch : 05=0.5mm
- ⑧ NH = For Lead Free soldering process and Halogen-Free

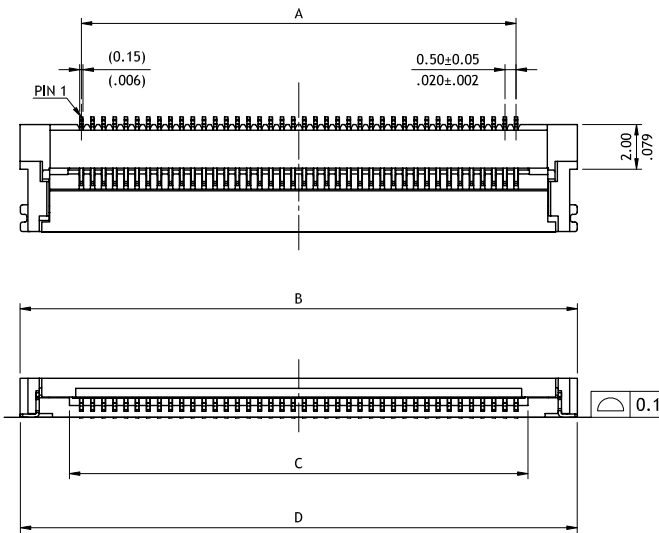
**CF69 Series 0.50mm(.020") H=1.75 SMT LIF One-Touch FFC/FPC Connectors**

CF

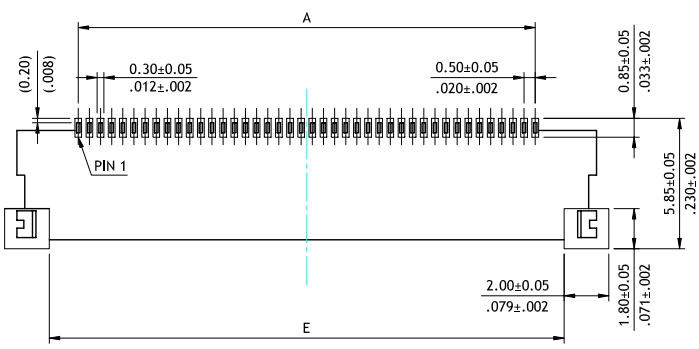
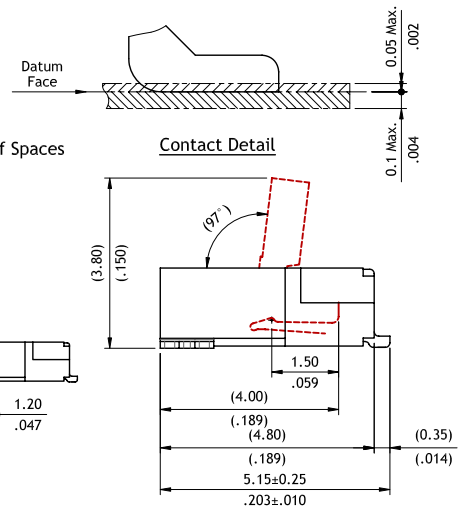
- ⊙ 1.75mm above the board
- ⊙ FFC/FPC low insertion force and high retention force
- ⊙ Insulator: High temperature plastic UL 94V-0, Color Nature
- ⊙ Cover: High temperature plastic UL 94V-0, Color Black
- ⊙ Actuator designed easy for FPC installation and reliable operation
- ⊙ With metal fixed tabs to secure connector in place



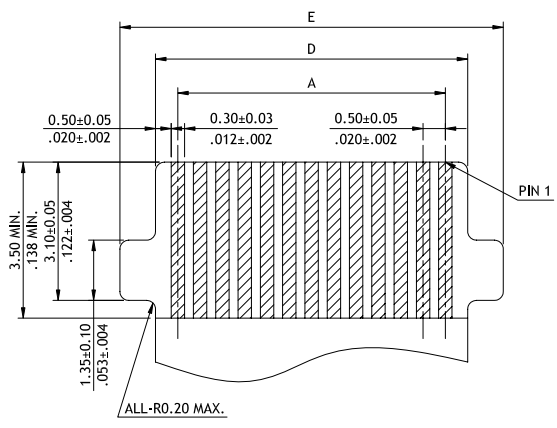
RoHS Compliant



A = 0.5 \* No. of Spaces  
 B = A + 5.5  
 C = A + 1.07  
 D = A + 1.0  
 E = A + 2.6



RECOMMENDED PCB LAYOUT



(THICKNESS: 0.3±0.03)  
 APPLICABLE FFC/FPC DIM.(REF)

<b>Ordering Code</b>	①	②	③	④	⑤	⑥	⑦	⑧	⑨
	CF 6 9	5 0	2	D	0	R	0	- 05 -	NH
① Series No.	② No. of Circuits: 40 , 44 , 50 *Circuits not found above please consult manufacturer*		④ Contact Style: D= Downside Contact		⑦ Other Options: 0 = Standard *Special option consult manufacturer		⑧ Pitch: 05= 0.50 mm		
③ Plating Code: 1 = Matte Tin over Nickel 2 = Gold flash over Nickel	⑤ Color: 0 = Nature		⑥ Packing: R = Tape & Reel T = Tube Packing		⑨ NH = For Lead Free IR process and Halogen-Free				

FFC & FPC CONNECTOR

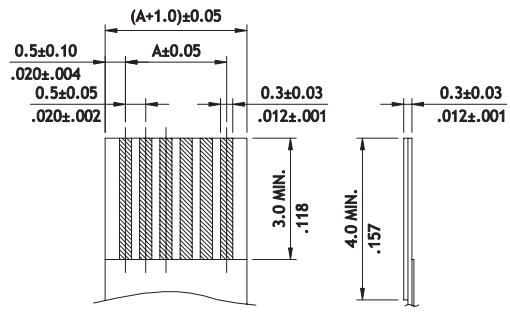
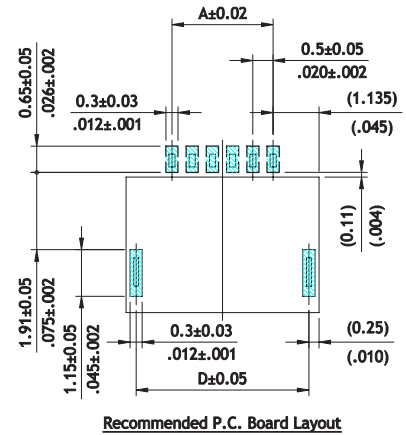
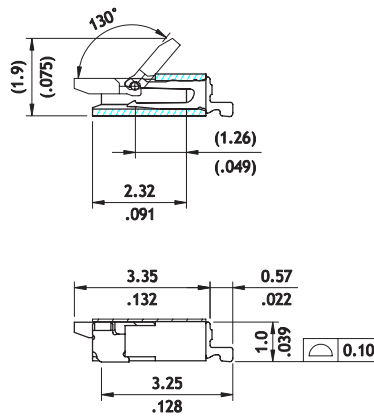
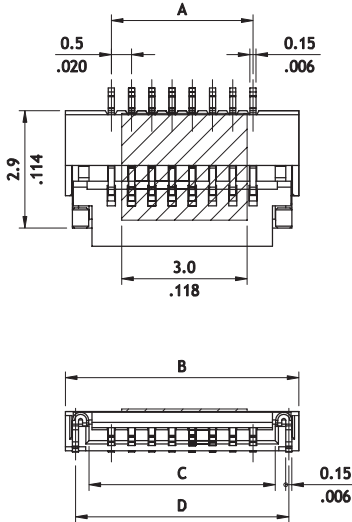
**CF39 Series 0.50mm(.020") SMT One - Touch FFC/FPC Connectors**

- ⊙ 1.00mm above the board
- ⊙ Insulator: High temperature plastic UL 94V-0, Color Nature
- ⊙ Cover : High temperature plastic UL 94V-0, Color Black
- ⊙ Actuator designed easy for FPC installation and reliable operation
- ⊙ With metal fixed tabs to secure connector in place



RoHS Compliant

A = 0.50 \* No. of Spaces  
 B = A + 2.27  
 C = A + 1.10  
 D = A + 1.77



APPLICABLE FFC/FPC DIM.

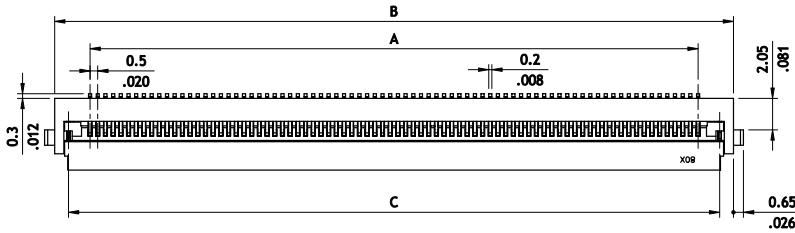
Ordering Code	①	②	③	④	⑤	⑥	⑦
	CF	39	40	2	D	0	R0-NH
① Series No.							
② No. of Circuits:	04, 06, 08, 10, 12, 15, 16, 18, 20, 22, 24, 28, 30, 32, 40						
③ Plating Code:	2 = Gold flash over Nickel						
④ Contact style :	D = Downside contact						
⑤ 0 = Color Nature							
⑥ Packing:	R0 = Tape & Reel (Without Mylar) RM = Tape & Reel (With Mylar)						
⑦ NH = For Lead Free soldering process and Halogen-Free							

**CF75 Series 0.50mm(.020") SMT One-Touch FFC/FPC Connectors**

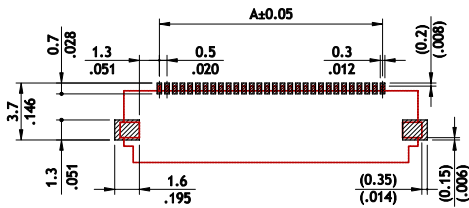
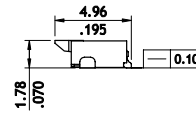
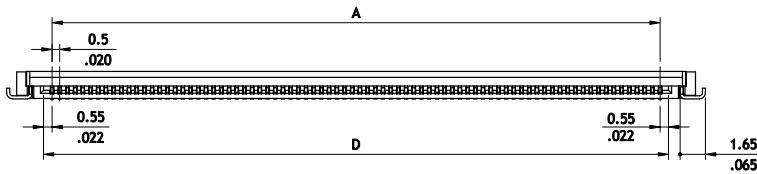
- ⊙ 1.78mm above the board
- ⊙ Insulator: High temperature plastic UL 94V-0, Color Nature
- ⊙ Cover : High temperature plastic UL 94V-0, Color Black
- ⊙ Actuator designed easy for FPC installation and reliable operation
- ⊙ With metal fixed tabs to secure connector in place



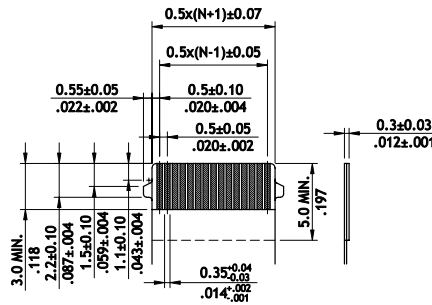
RoHS Compliant



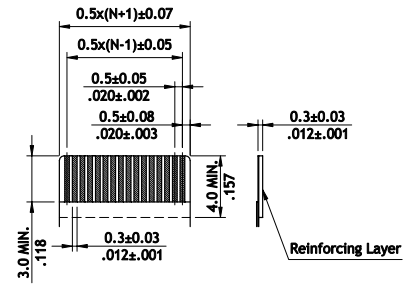
Circuits	Dimension			
	A	B	C	D
60	29.5(1.161)	34.10(1.342)	32.3(1.272)	30.60(1.205)
80	39.5(1.555)	44.10(1.736)	42.3(1.665)	40.60(1.598)



Recommended P.C. Board Layout



RECOMMENDED FFC DIM.  
THICKNESS:0.3±0.03



RECOMMENDED FFC DIM.  
THICKNESS:0.3±0.03

**Ordering Code**

① ② ③ ④ ⑤ ⑥ ⑦  
**CF 7 5 8 0 2 D 0 R 0 - NH**

- ① Series No.
- ② No. of Circuits: 60 , 80
- ③ Plating Code:  
2 =Gold flash over Nickel

- ④ Contact style :  
D = Downside contact
- ⑤ Color : 0 = Nature

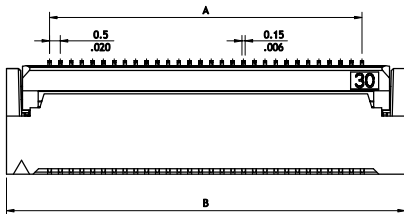
- ⑥ Packing : R0 = Tape & Reel
- ⑦ NH = For Lead Free soldering process and Halogen-Free

**CF82 Series 0.50mm(.020") H=2.00 SMT ZIF One-Touch FFC/FPC Connectors**

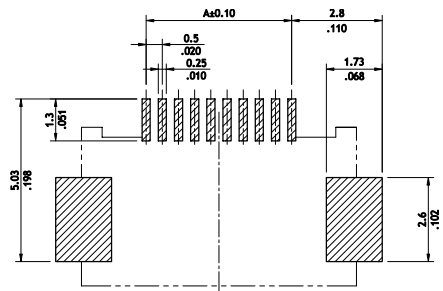
- ⊙ 2.00mm above the board
- ⊙ FFC/FPC zero insertion force and high retention force
- ⊙ Insulator: High temperature plastic UL 94V-0, Color Nature
- ⊙ Cover : High temperature plastic UL 94V-0, Color Black
- ⊙ With metal fixed tabs to secure connector in place



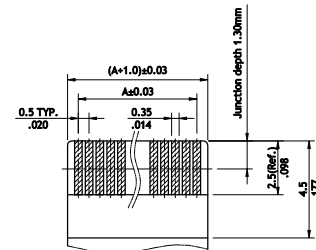
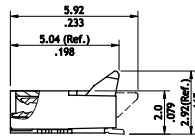
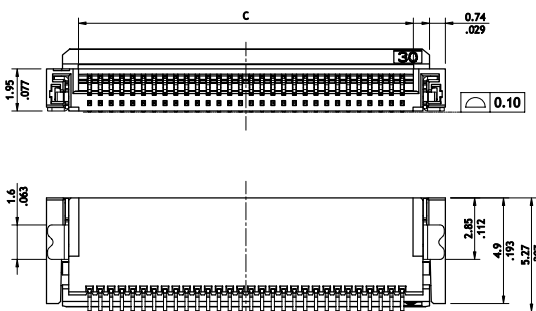
RoHS Compliant



A = 0.50 x No. of Spaces  
 B = A + 4.0  
 C = A + 1.05



**Recommended P.C. Board Layout**  
 General tolerance ±0.05



**Recommended FPC/FFC Dimension**  
 Thickness: 0.3±0.03mm

**Ordering Code**

① ② ③ ④ ⑤ ⑥ ⑦ ⑧  
**CF82 60 2 H 0 R0-05 - NH**

- ① Series No.
- ② No. of Circuits: 4,5,6,8,9,10,12~16,18,20,24,25,28,30,32,34,36,40,45,50,54,60
- ③ Plating Code: 2 =Gold flash over Nickel
- ④ Contact style : H = Dual side contact
- ⑤ Color : 0 = Nature
- ⑥ Packing : R0 = Tape & Reel
- ⑦ 05 = Pitch 0.5mm
- ⑧ NH = For Lead Free soldering process and Halogen-Free

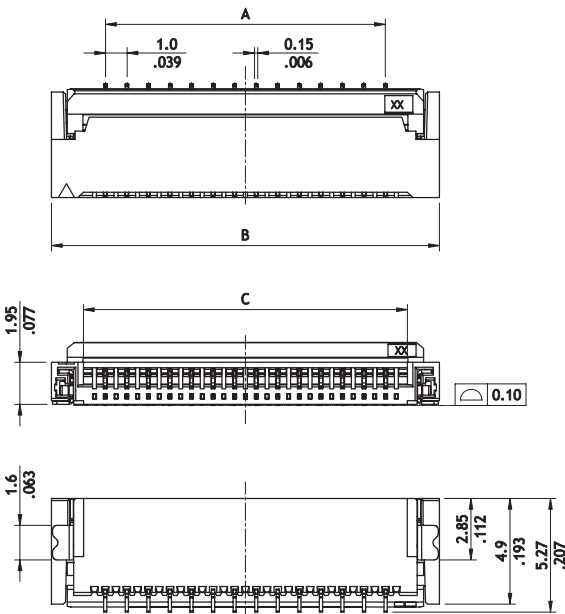
**CF82 Series 1.00mm(.039") H=2.00 SMT ZIF One-Touch FFC/FPC Connectors**

- ⊙ 2.00mm above the board
- ⊙ FFC/FPC zero insertion force and high retention force
- ⊙ Insulator: High temperature plastic UL 94V-0, Color Nature
- ⊙ Cover : High temperature plastic UL 94V-0, Color Black
- ⊙ With metal fixed tabs to secure connector in place

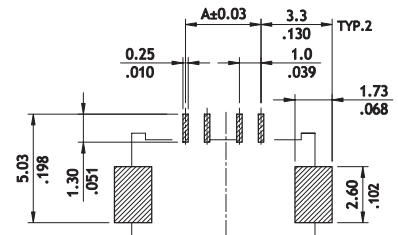
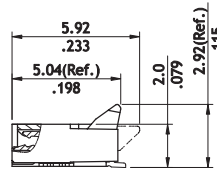
**NEW**



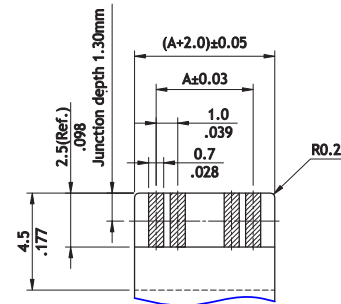
RoHS Compliant



$A = 1.00 \times \text{No. of Spaces}$   
 $B = A + 5.0$   
 $C = A + 2.05$



Recommended P.C. Board Layout  
 General tolerance  $\pm 0.05$



Recommended FPC/FFC Dimension  
 Thickness:  $0.3 \pm 0.03\text{mm}$

**Ordering Code**

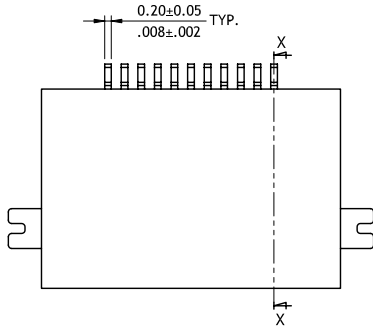
① CF 82    ② 04    ③ 2    ④ H    ⑤ 0    ⑥ R0    ⑦ -10    ⑧ -NH

- ① Series No.
- ② No. of Circuits: 4,6,8,9,12,20,22
- ③ Plating Code:  
2 =Gold flash over Nickel
- ④ Contact style :  
H = Dual side contact
- ⑤ Color : 0 = Nature
- ⑥ Packing : R0 = Tape & Reel
- ⑦ 10 = Pitch 1.00mm
- ⑧ NH = For Lead Free soldering process and Halogen-Free

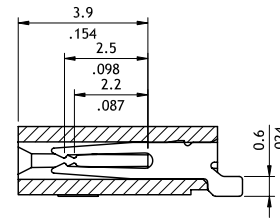
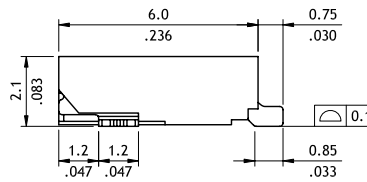
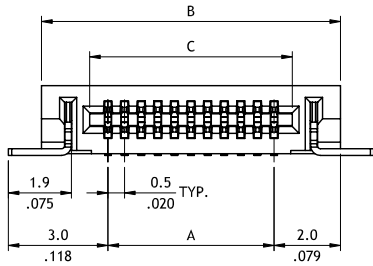
**CF76 Series 0.50mm(.020") H=2.10 SMT LIF FFC/FPC Connectors**

- ⊙ 2.1mm above the board
- ⊙ Copper alloy dual contacts
- ⊙ Insulation: High temperature plastic UL94V-0 , Color Nature
- ⊙ with metal fixed tabs to secure connector in place

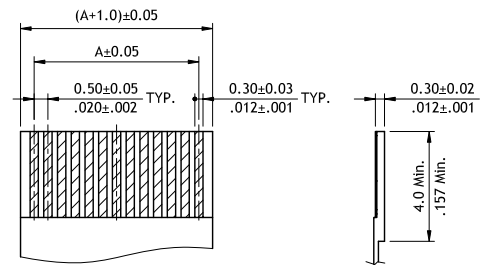
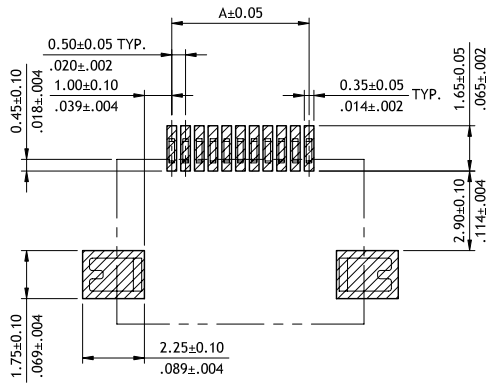
**RoHS** Compliant  



DIM.A = 0.50 x No. of Spaces  
 DIM.B = DIM.A + 4.0  
 DIM.C = DIM.A + 1.1  
 \*Available in 10 through 50 circuits



SEC.: X-X



Recommended P.C.B Layout

Accommodated FFC/FPC

**Ordering Code**

① ② ③ ④ ⑤ ⑥ ⑦ ⑧ ⑨  
**CF76 50 M 2 H R 0 - 05 - NH**

- ① Series No.
- ② No. of Circuits: 10 ~ 50
- ③ Contact Style: M= SMT Type

- ④ Plating: 2=Gold flash over 50u" min Nickel
- ⑤ Type : H = Side Entry
- ⑥ Packing : R = Tape & Reel

- ⑦ Other Options: 0 = Standard
- ⑧ Pitch: 05 = 0.50 mm
- ⑨ NH = For Lead Free IR process and Halogen-Free



**CF85 Series 0.50mm(.020") H=2.20 SMT ZIF One-Touch FFC/FPC Connectors**

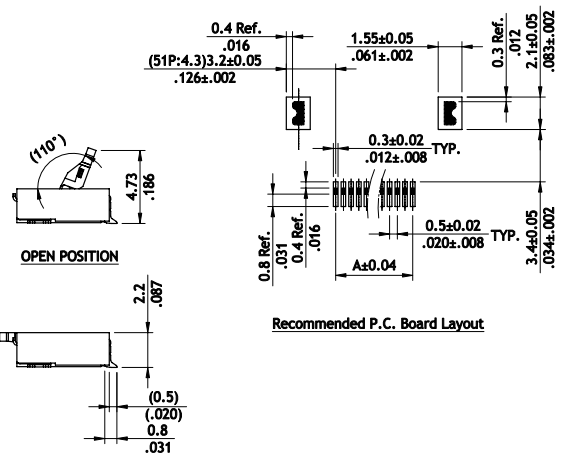
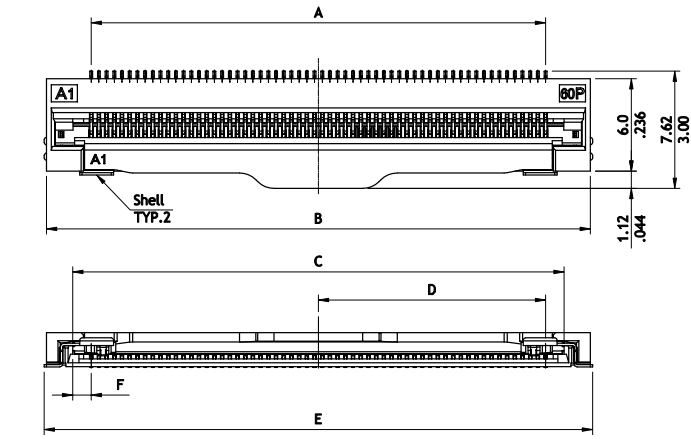
CF

- ⊙ 2.20mm above the board
- ⊙ Insulator: High temperature plastic UL 94V-0, Color Nature
- ⊙ Cover : High temperature plastic UL 94V-0, Color Black
- ⊙ With metal fixed tabs to secure connector in place

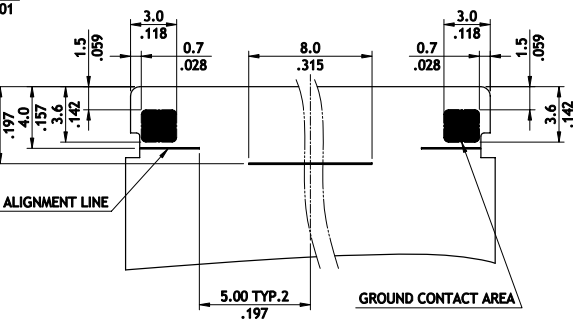
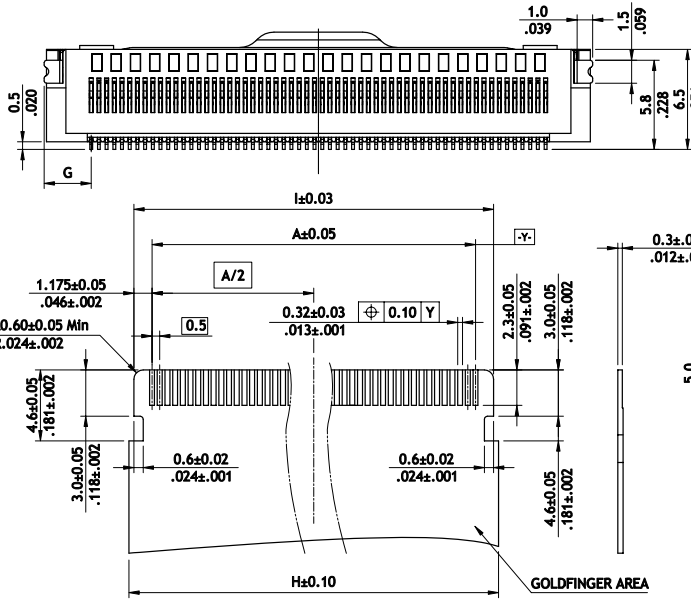
**NEW**



RoHS Compliant



PIN	DIM A	DIM B	DIM C	DIM D	DIM E	DIM F	DIM G	DIM H	DIM I
51	25.0 (.998)	33.0 (1.299)	29.6 (1.165)	12.5 (.492)	33.3 (1.311)	2.3 (.091)	4.15 (.163)	28.0 (1.102)	27.35 (1.077)
60	29.5 (1.161)	35.3 (1.390)	31.9 (1.256)	14.75 (.581)	35.6 (1.402)	1.2 (.047)	3.05 (.120)	32.5 (1.280)	31.85 (1.254)
68	33.5 (1.319)	39.5 (1.547)	35.9 (1.413)	16.75 (.659)	39.6 (1.559)	1.2 (.047)	3.05 (.120)	36.5 (1.437)	35.85 (1.411)



APPLICABLE FPC RECOMMENDED DIMENSION

**Ordering Code**

① ② ③ ④ ⑤ ⑥ ⑦ ⑧  
**CF85 60 A D 0 R0-05-NH**

- ① Series No.
- ② No. of Circuits: 51 , 60 , 68
- ③ Plating Code:  
A = Selective Gold flash over Nickel
- ④ Contact style :  
D = Down side
- ⑤ Color : 0 = Nature
- ⑥ Packing : R0 = Tape & Reel
- ⑦ 05 = Pitch 0.50mm
- ⑧ NH = For Lead Free soldering process and Halogen-Free

FFC & FPC CONNECTOR

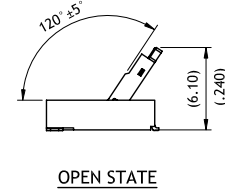
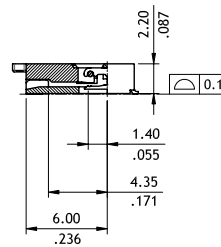
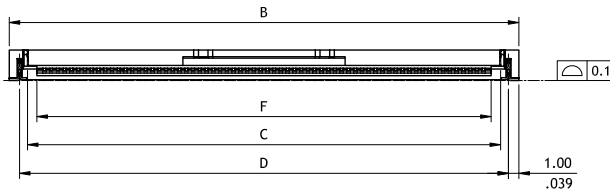
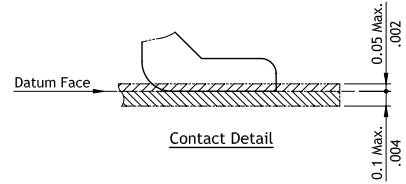
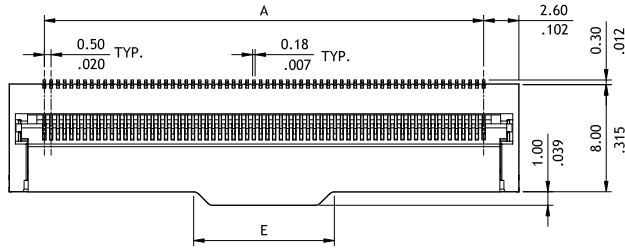
CF90 Series 0.5mm(.020") H=2.20 SMT ZIF One-Touch FFC/FPC Connectors

- ⊙ 2.20mm above the board
- ⊙ FFC/FPC zero insertion force and high retention force
- ⊙ Insulator: High temperature plastic UL 94V-0, Color Nature
- ⊙ Cover : High temperature plastic UL 94V-0, Color Black
- ⊙ Actuator designed easy for FPC installation and reliable operation
- ⊙ With metal fixed tabs to secure connector in place

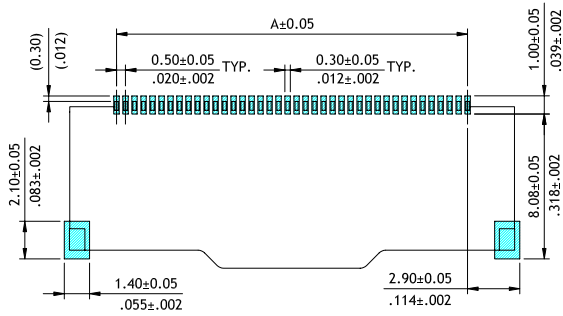
**NEW**



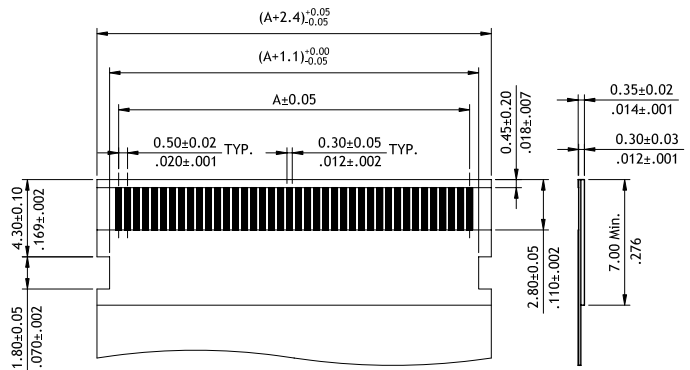
RoHS Compliant



Circuits	Dimension					
	A	B	C	D	E	F
96	47.50(1.870)	52.70(2.075)	50.00(1.969)	51.20(2.016)	10.00(.394)	48.60(1.913)



Recommended P.C. Board Layout



Accommodated FFC/FPC

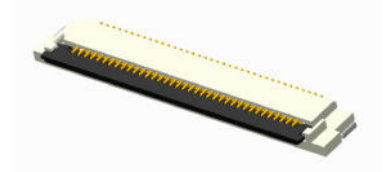
Ordering Code

① ② ③ ④ ⑤ ⑥ ⑦ ⑧  
**CF 9 0 9 6 1 D 0 R 0 - 0 5 - NH**

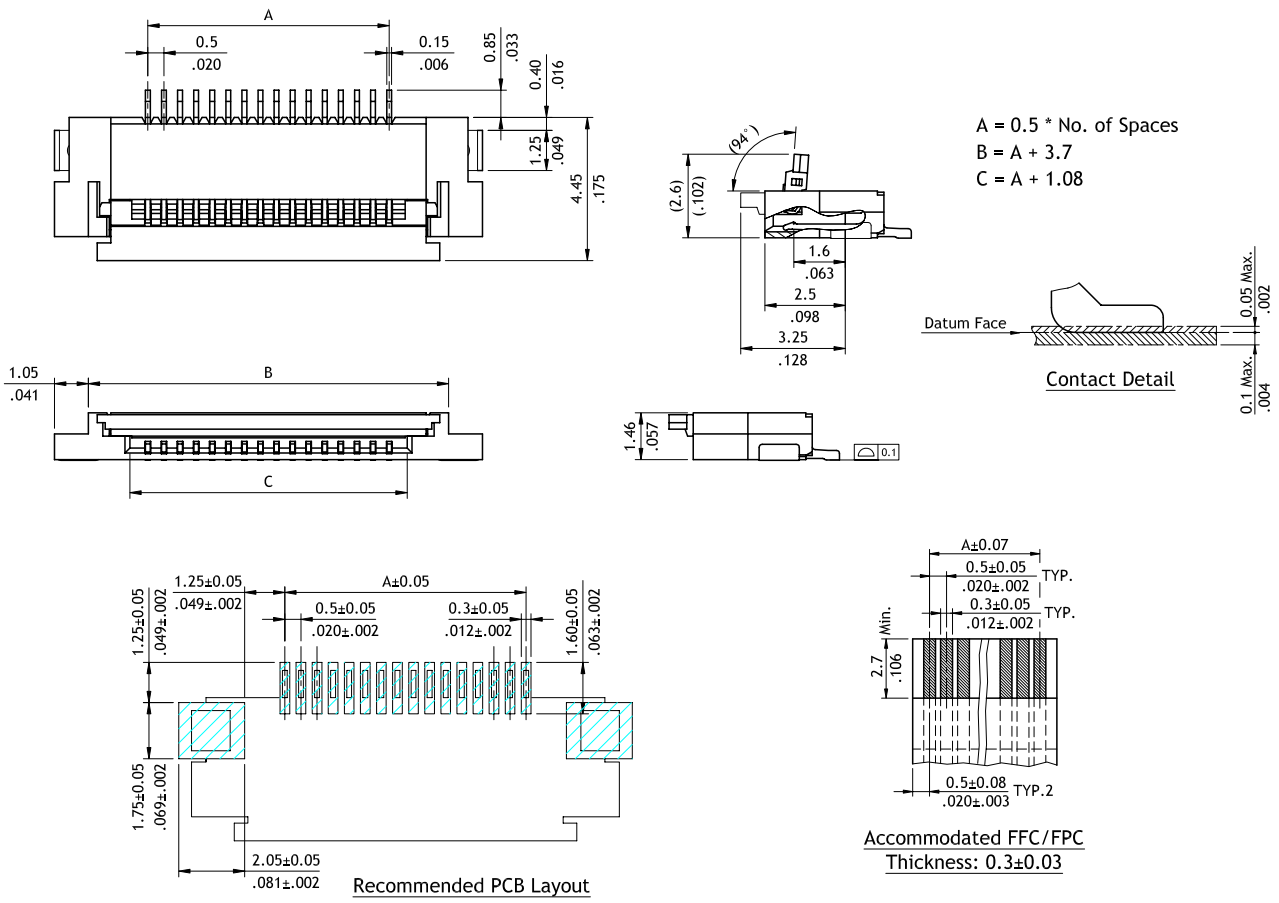
- ① Series No.
- ② No. of Circuits: 96
- ③ Plating Code:  
1 = Matte Tin over Nickel  
F = Gold flash over Nickel
- ④ Contact style :  
D = Downside contact
- ⑤ Color : 0 = Nature
- ⑥ Packing : R0 = Tape & Reel
- ⑦ Pitch : 05=0.5mm
- ⑧ NH = For Lead Free soldering process and Halogen-Free

**CF50 Series 0.50mm(.020")H=1.46 SMT ZIF One-Touch FFC/FPC Connectors**

- ⊙ 1.46mm above the board
- ⊙ FFC/FPC zero insertion force and high retention force
- ⊙ Insulation: High temperature plastic UL 94V-0, Color Nature
- ⊙ Cover: High temperature plastic UL 94V-0, Color Black
- ⊙ Actuator designed easy for FFC/FPC installation and reliable operation
- ⊙ With metal fixed tabs to secure connector in place



RoHS Compliant



Ordering Code	①	②	③	④	⑤	⑥	⑦	⑧
	CF	50	08	F	D	0	RC	- 05 - NH

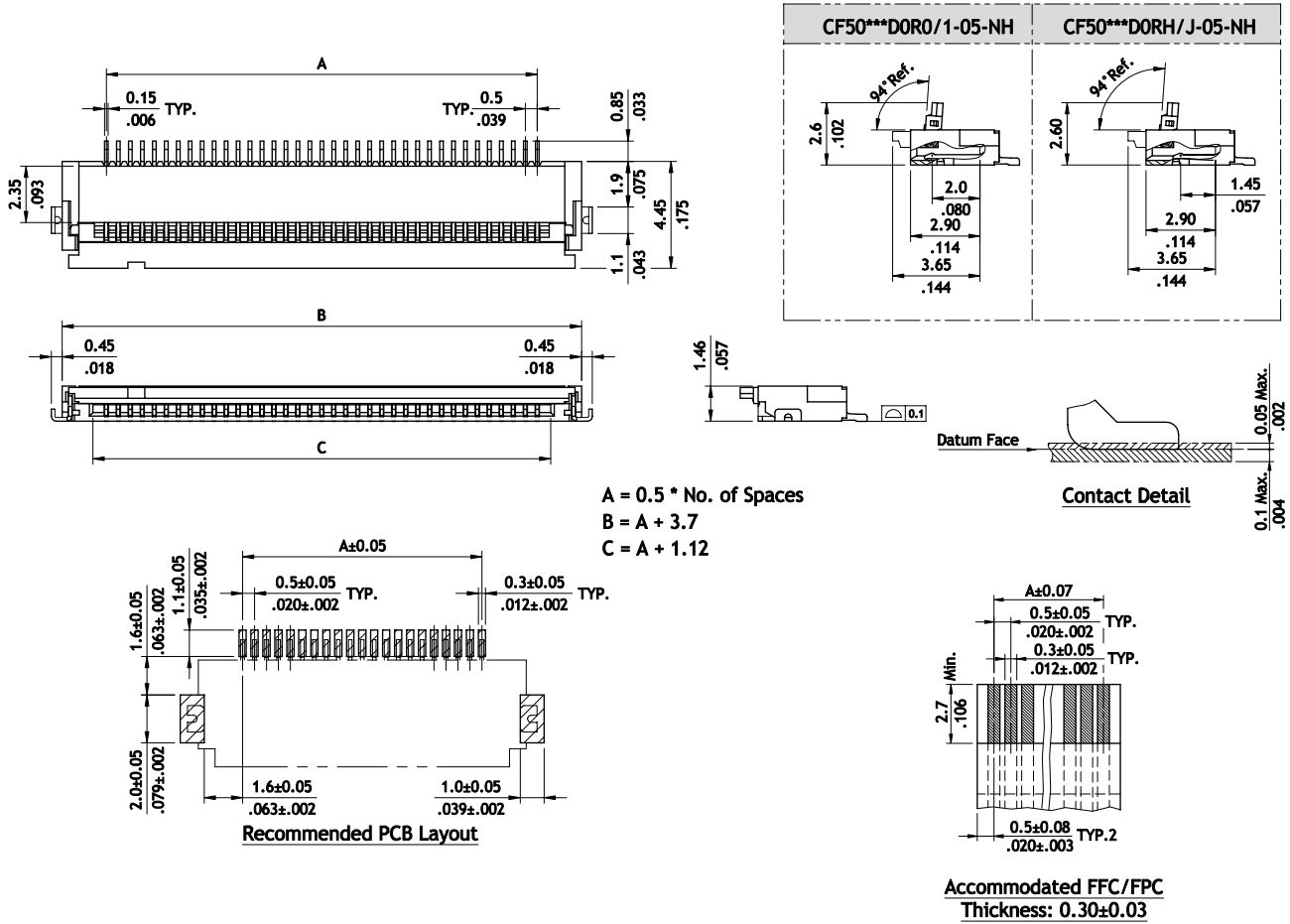
① Series No.  
 ② No. of Circuits: 6, 8  
 \*Circuits not found above please consult manufacturer\*  
 ③ Plating Code:  
 F = Gold flash over Nickel  
 ④ Contact Style:  
 D = Downside Contact  
 ⑤ Color: 0 = Nature  
 ⑥ Packing: RC = Tape & Reel  
 ⑦ Pitch: 05 = 0.50 mm  
 ⑧ NH = For Lead Free IR process and Halogen-Free

CF50 Series 0.50mm(.020")H=1.46 SMT ZIF One-Touch FFC/FPC Connectors

- ⊙ 1.46mm above the board
- ⊙ FFC/FPC zero insertion force and high retention force
- ⊙ Insulation: High temperature plastic UL 94V-0, Color Nature
- ⊙ Cover: High temperature plastic UL 94V-0, Color Black
- ⊙ Actuator designed easy for FFC/FPC installation and reliable operation
- ⊙ With metal fixed tabs to secure connector in place



RoHS Compliant



Ordering Code

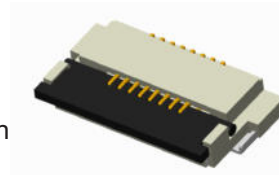
① ② ③ ④ ⑤ ⑥ ⑦ ⑧ ⑨  
**CF 5 0 4 0 1 D 0 R 0 - 05 - NH**

- ① Series No.
- ② No. of Circuits: 4 ~ 61
- ③ Plating Code:  
 1 = Matte Tin over Nickel  
 F = Gold flash over Nickel
- ④ Contact Style :  
 D = Downside Contact
- ⑤ Color: 0 = Nature
- ⑥ Packing:  
 R0 = Tape & Reel without Mylar  
 R1 = Tape & Reel with Mylar  
 RH = Tape & Reel without Mylar  
 RJ = Tape & Reel with Mylar
- ⑦ Pitch: 05 = 0.50 mm
- ⑧ NH = For Lead Free IR process and Halogen-Free

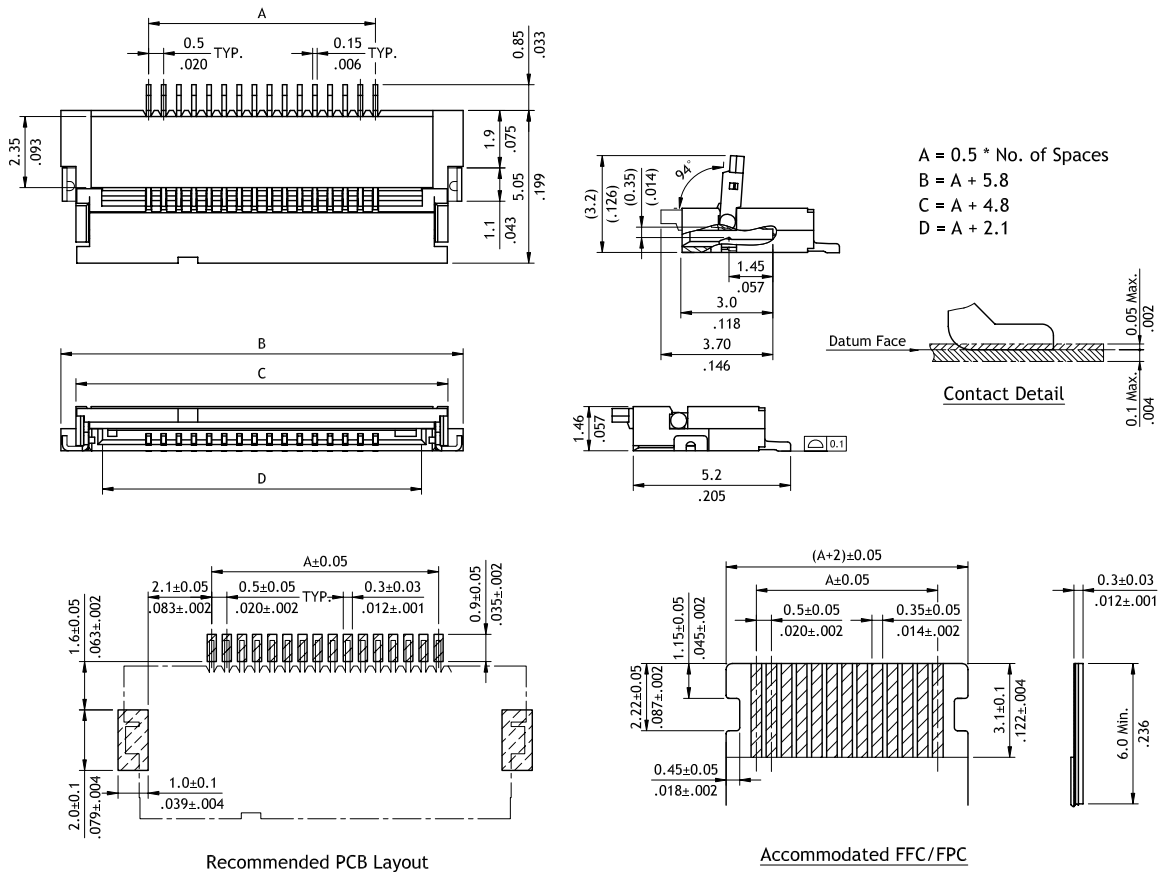
**CF50 Series 0.50mm(.020")H=1.46 SMT ZIF One-Touch FFC/FPC Connectors**

CF

- ⊙ 1.46mm above the board
- ⊙ FFC/FPC zero insertion force and high retention force
- ⊙ Insulation: High temperature plastic UL 94V-0, Color Nature
- ⊙ Cover: High temperature plastic UL 94V-0, Color Black
- ⊙ Actuator designed easy for FFC/FPC installation and reliable operation
- ⊙ With metal fixed tabs to secure connector in place



RoHS Compliant



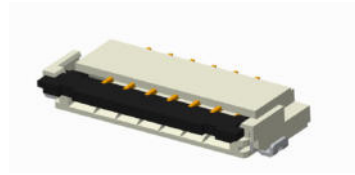
Ordering Code	①	②	③	④	⑤	⑥	⑦	⑧
	CF	50	23	F	D	0	RG	05 - NH

① Series No.  
 ② No. of Circuits: 8, 23  
 \*Circuits not found above please consult manufacturer\*  
 ③ Plating Code:  
 F = Gold flash over Nickel  
 ④ Contact Style:  
 D = Downside Contact  
 ⑤ Color: 0 = Nature  
 ⑥ Packing: RG = Tape & Reel  
 ⑦ Pitch: 05 = 0.50 mm  
 ⑧ NH = For Lead Free IR process and Halogen-Free

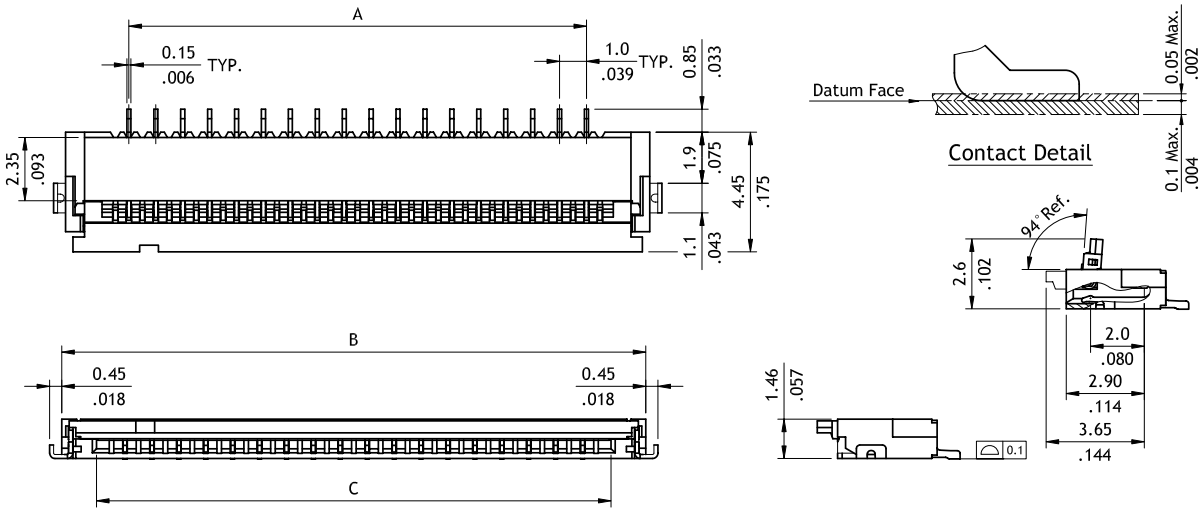
FFC & FPC CONNECTOR

CF50 Series 1.00mm(.039")H=1.46 SMT ZIF One-Touch FFC/FPC Connectors

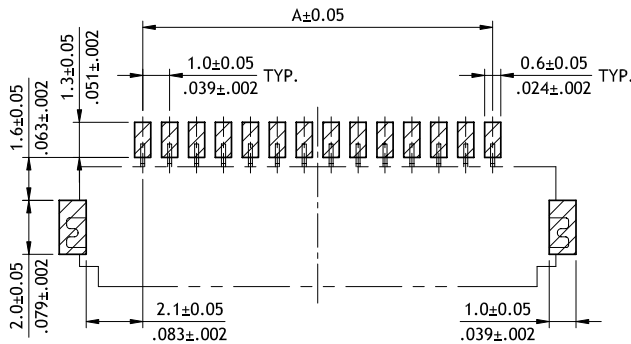
- ⊙ 1.46mm above the board
- ⊙ FFC/FPC zero insertion force and high retention force
- ⊙ Insulation: High temperature plastic UL 94V-0, Color Nature
- ⊙ Cover: High temperature plastic UL 94V-0, Color Black
- ⊙ Actuator designed easy for FFC/FPC installation and reliable operation
- ⊙ With metal fixed tabs to secure connector in place



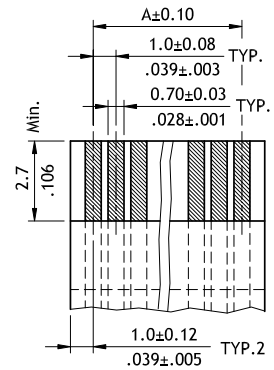
RoHS Compliant



A = 1.0 \* No. of Spaces  
 B = A + 4.7  
 C = A + 2.12



Recommended PCB Layout



Accommodated FFC/FPC Thickness: 0.3 ± 0.03

Ordering Code

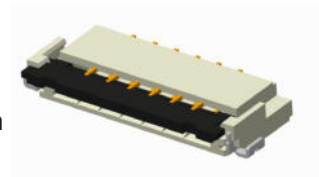
① ② ③ ④ ⑤ ⑥ ⑦ ⑧  
**CF 50 24 1 D 0 R0 - 10 - NH**

- ① Series No.
- ② No. of Circuits: 04 ~ 30 (Available: 4,6,8,10,12,18,24,26,30) \*Circuits not found above please consult manufacturer\*
- ③ Plating Code: 1 = Matte Tin over Nickel, F = Gold flash over Nickel
- ④ Contact Style: D = Downside Contact
- ⑤ Color: 0 = Nature
- ⑥ Packing: R0 = Tape & Reel without Mylar, R1 = Tape & Reel with Mylar
- ⑦ Pitch: 10 = 1.00 mm
- ⑧ NH = For Lead Free IR process and Halogen-Free

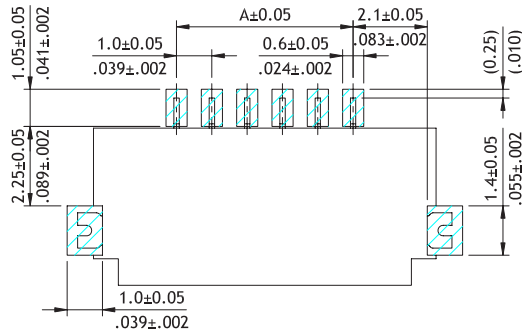
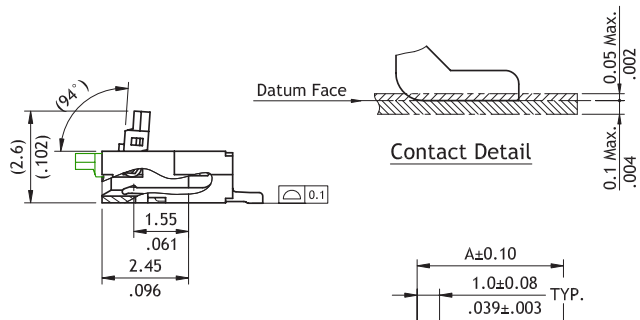
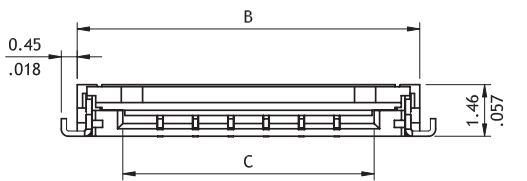
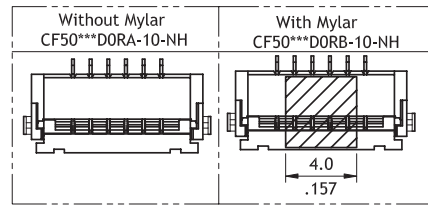
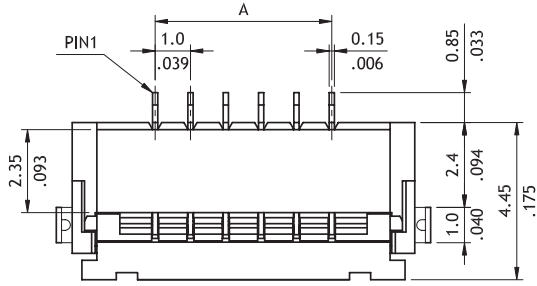
**CF50 Series 1.00mm(.039")H=1.46 SMT ZIF One-Touch FFC/FPC Connectors**

CF

- ⊙ 1.46mm above the board
- ⊙ FFC/FPC zero insertion force and high retention force
- ⊙ Insulation: High temperature plastic UL 94V-0, Color Nature
- ⊙ Cover: High temperature plastic UL 94V-0, Color Black
- ⊙ Actuator designed easy for FFC/FPC installation and reliable operation
- ⊙ With metal fixed tabs to secure connector in place

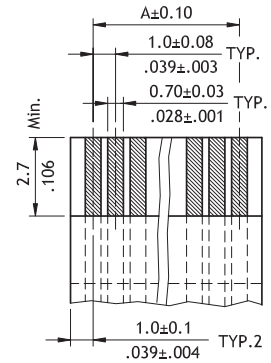


RoHS Compliant



Recommended PCB Layout

A = 1.0 \* No. of Spaces  
 B = A + 4.7  
 C = A + 2.12



Accommodated FFC/FPC Thickness: 0.3±0.03

**Ordering Code**

① ② ③ ④ ⑤ ⑥ ⑦ ⑧  
**CF50081D0RA-10-NH**

- ① Series No.
- ② No. of Circuits: 4, 6, 8,10  
 \*Circuits not found above please consult manufacturer\*

- ③ Plating Code:  
 1 = Matte Tin over Nickel  
 F = Gold flash over Nickel
- ④ Contact Style:  
 D = Downside Contact
- ⑤ Color : 0 = Nature

- ⑥ Packing:  
 RA = Tape & Reel without Mylar  
 RB = Tape & Reel with Mylar
- ⑦ Pitch: 10 = 1.00 mm
- ⑧ NH = For Lead Free IR process and Halogen-Free

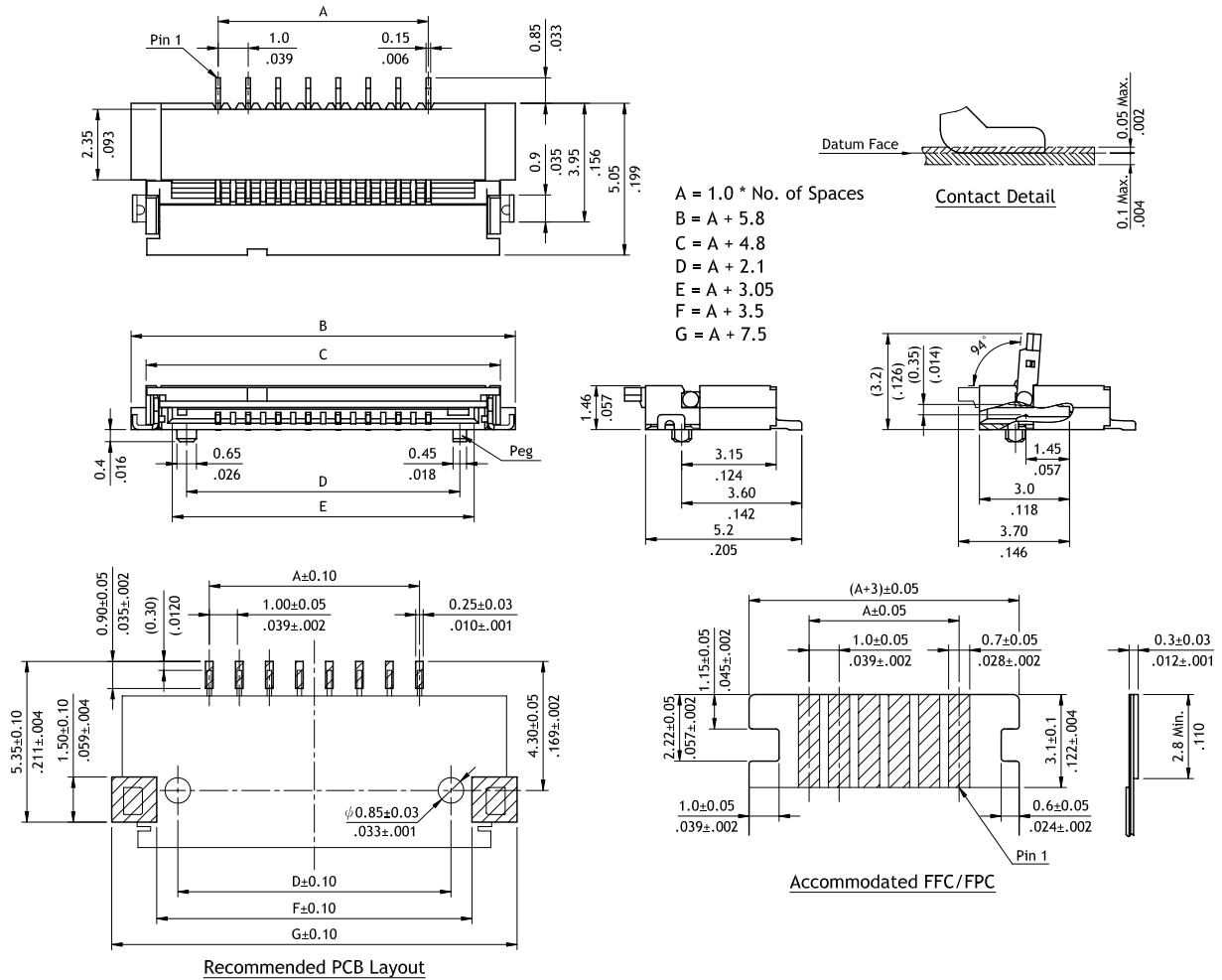
FFC & FPC CONNECTOR

CF50 Series 1.00mm(.039")H=1.46 SMT ZIF One-Touch FFC/FPC Connectors

- ⊙ 1.46mm above the board
- ⊙ FFC/FPC zero insertion force and high retention force
- ⊙ Insulation: High temperature plastic UL 94V-0, Color Nature
- ⊙ Cover: High temperature plastic UL 94V-0, Color Black
- ⊙ Actuator designed easy for FFC/FPC installation and reliable operation
- ⊙ With metal fixed tabs to secure connector in place



RoHS Compliant



Ordering Code

① ② ③ ④ ⑤ ⑥ ⑦ ⑧  
**CF 5 0 1 2 1 D 0 RE - 10 - NH**

① Series No.

② No. of Circuits: 4, 12

\*Circuits not found above please consult manufacturer\*

③ Plating Code:

1 = Matte Tin over Nickel

F = Gold flash over Nickel

④ Contact Style:

D = Downside Contact

⑤ Color: 0 = Nature

⑥ Packing:

RE = Tape & Reel with Pegs

RD = Tape & Reel without Pegs

⑦ Pitch: 10 = 1.00 mm

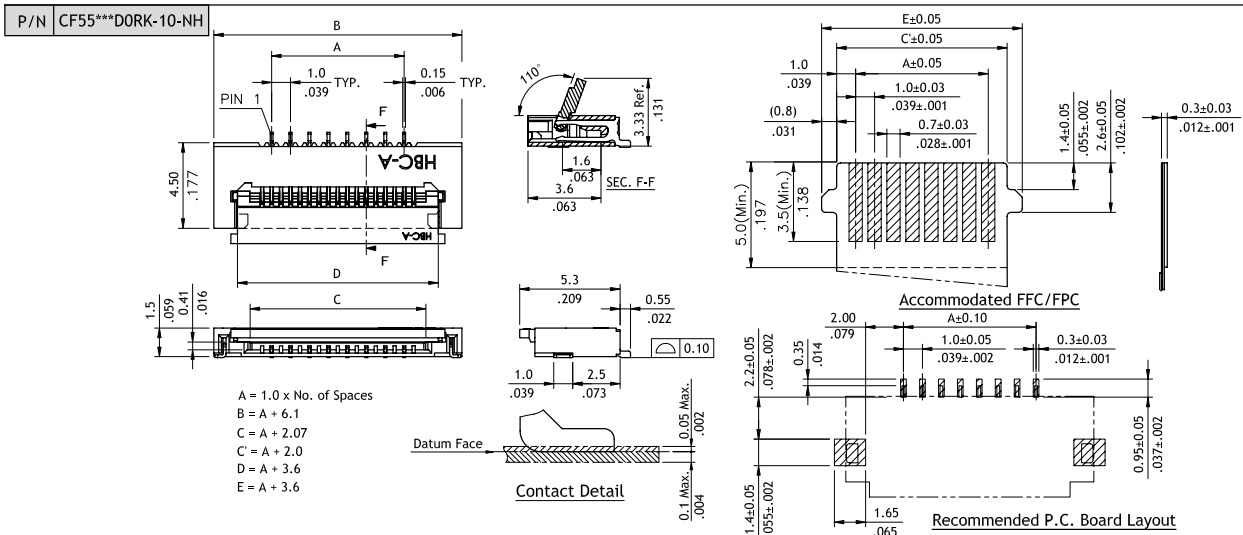
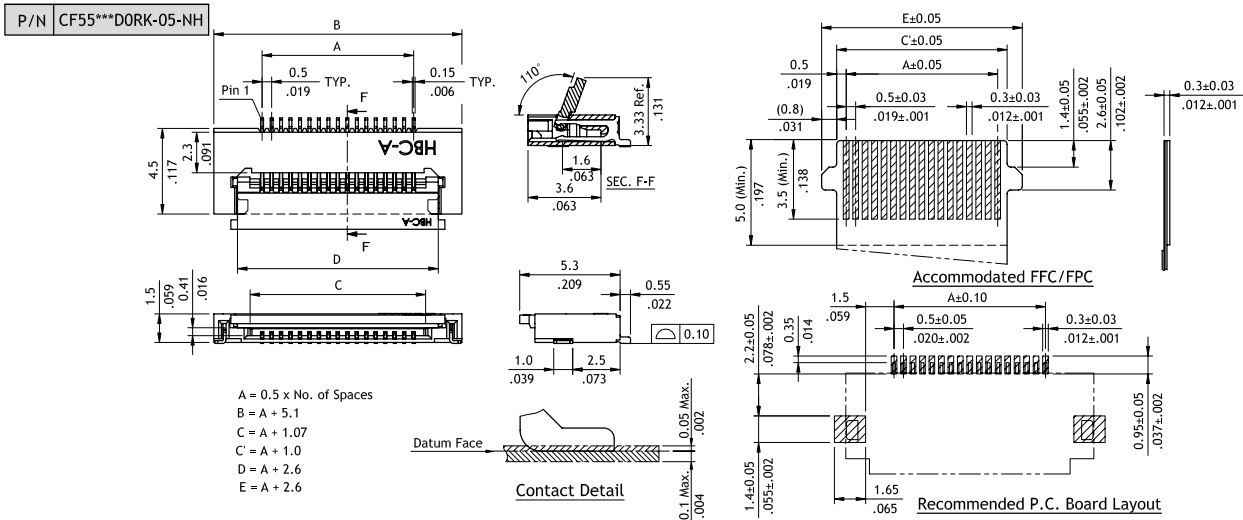
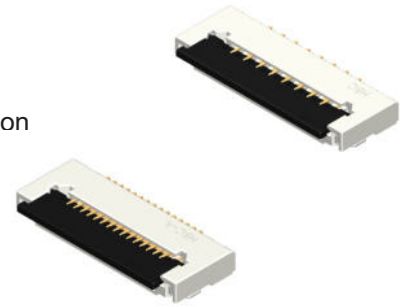
⑧ NH = For Lead Free IR process and Halogen-Free



**CF50 Series 0.50/1.00mm(.020"/.039")H=1.5 SMT ZIF One-Touch FFC/FPC Connectors**

- ⊙ 1.50mm above the board
- ⊙ FFC/FPC zero insertion force and high retention force
- ⊙ Insulation: High temperature plastic UL 94V-0, Color Nature
- ⊙ Cover: High temperature plastic UL 94V-0, Color Black
- ⊙ Actuator designed easy for FFC/FPC installation and reliable operation
- ⊙ With metal fixed tabs to secure connector in place

**RoHS** Compliant



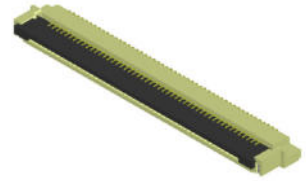
**Ordering Code**

① ② ③ ④ ⑤ ⑥ ⑦ ⑧  
**CF 5 0 1 0 1 D 0 RK - 10 - NH**

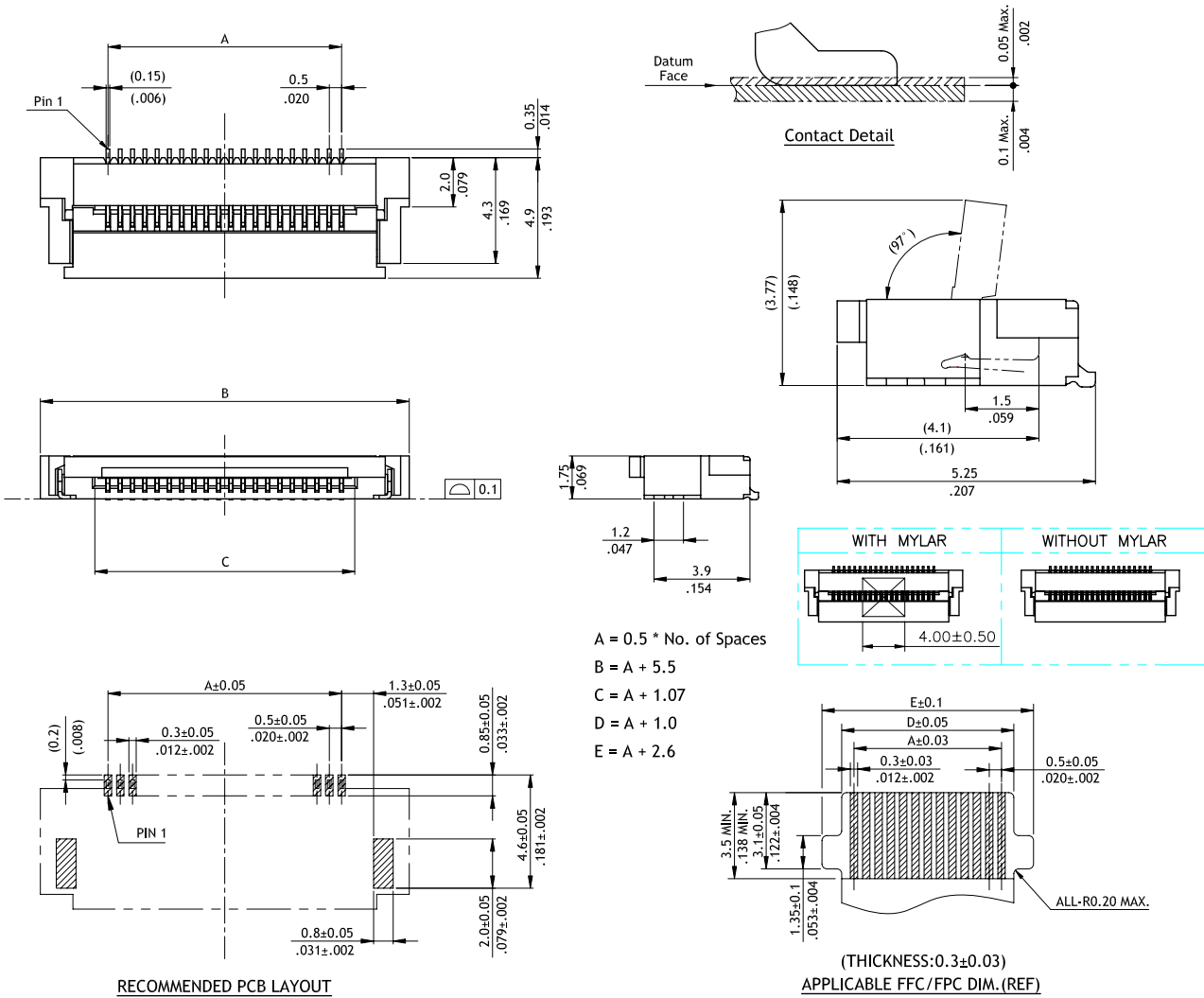
- ① Series No.
- ② No. of Circuits:  
0.5 pitch : 12,20,22,26  
1.0 pitch: 10
- ③ Plating Code:  
1 = Matte Tin over Nickel  
F = Gold flash over Nickel
- ④ Contact Style:  
D = Downside Contact
- ⑤ Color: 0 = Nature
- ⑥ Packing:  
RK = Tape & Reel without Mylar
- ⑦ Pitch: 10 = 1.00 mm  
05 = 0.50 mm
- ⑧ NH = For Lead Free IR process and Halogen-Free

CF61 Series 0.50mm(.020")H=1.75 SMT ZIF One-Touch FFC/FPC Connectors

- ⊙ 1.75mm above the board
- ⊙ FFC/FPC zero insertion force and high retention force
- ⊙ Insulation: High temperature plastic UL 94V-0, Color Nature
- ⊙ Cover: High temperature plastic UL 94V-0, Color Black
- ⊙ Actuator designed easy for FFC/FPC installation and reliable operation
- ⊙ With metal fixed tabs to secure connector in place



RoHS Compliant  



Ordering Code

① ② ③ ④ ⑤ ⑥ ⑦ ⑧ ⑨  
**CF 6 1 4 0 1 D 0 R 0 - 05 - NH**

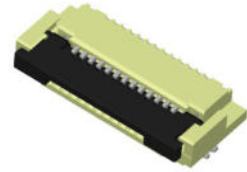
- ① Series No.
- ② No. of Circuits: 04 ~ 60  
(Available : 4~10 , 12, 14, 16, 17, 20, 26, 30, 40, 44, 50, 60)  
\*Circuits not found above please consult manufacturer\*

- ③ Plating Code:  
1 = Matte Tin over Nickel  
2 = Gold flash over Nickel
- ④ Contact Style:  
D = Downside Contact
- ⑤ Color: 0 = Nature
- ⑥ Packing: R = Tape & Reel  
T = Tube

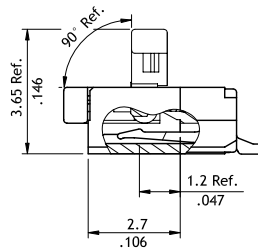
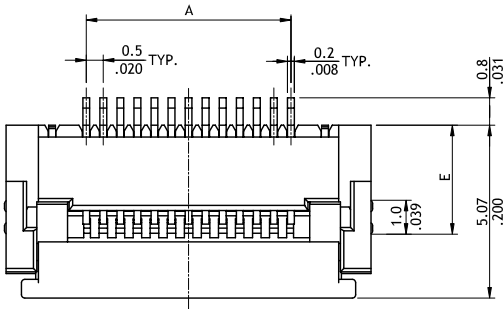
- ⑦ Other Options:  
0 = Without Mylar  
M = With Mylar
- ⑧ Pitch: 05 = 0.50 mm
- ⑨ NH = For Lead Free IR process and Halogen-Free

**CF31 Series 0.50mm(.020")H=1.95 SMT ZIF One-Touch FFC/FPC Connectors**

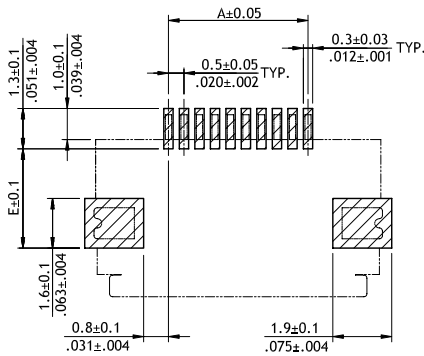
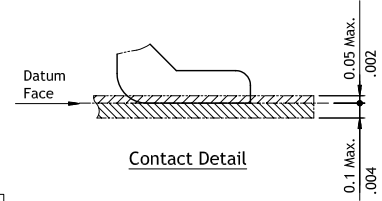
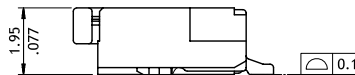
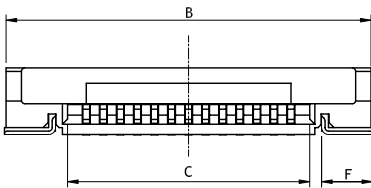
- ⊙ 1.95mm above the board
- ⊙ FFC/FPC zero insertion force and high retention force
- ⊙ Insulation: High temperature plastic UL 94V-0, Color Nature
- ⊙ Cover: High temperature plastic UL 94V-0, Color Black
- ⊙ Actuator designed easy for FFC/FPC installation and reliable operation
- ⊙ With metal fixed tabs to secure connector in place



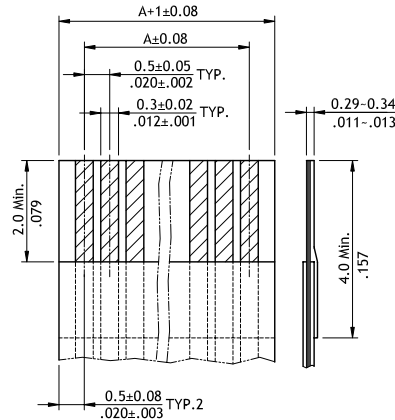
RoHS Compliant



A = 0.5 x No. of Spaces  
 B = A + 4.7  
 C = A + 1.1



Recommended PCB Layout



Accommodated FFC/FPC

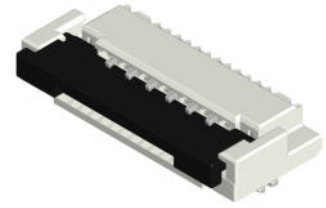
**Ordering Code**

① CF 3 1    ② 6 1    ③ 1    ④ D    ⑤ 0    ⑥ R    ⑦ 0 - 05 -    ⑧ NH

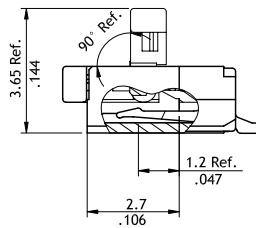
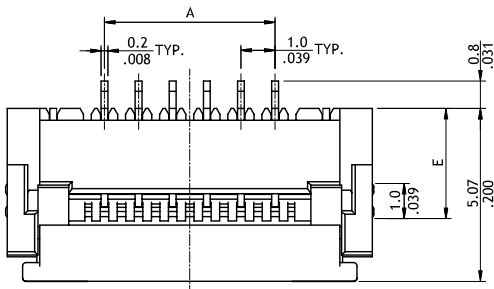
- ① Series No.
- ② No. of Circuits: 04 ~ 61  
\*Circuits not found above please consult manufacturer\*
- ③ Plating Code:  
1 = Matte Tin over Nickel  
2 = Selective Gold flash over Nickel
- ④ Contact Style:  
D = Downside Contact
- ⑤ Color: 0 = Nature
- ⑥ Packing: R = Tape & Reel
- ⑦ Other Options:  
0 = Without Mylar, E=3.20mm, F=1.40  
1=With Mylar, E=3.20mm, F=1.40  
2 = Without Mylar, E=2.85mm, F=1.50  
3=With Mylar, E=2.85mm, F=1.50
- ⑧ Pitch: 05 = 0.50 mm
- ⑨ NH = For Lead Free IR process and Halogen-Free

CF31 Series 1.00mm(.039")H=1.95 SMT ZIF One-Touch FFC/FPC Connectors

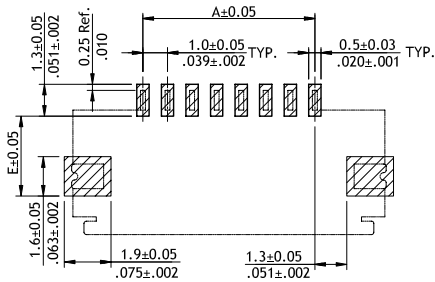
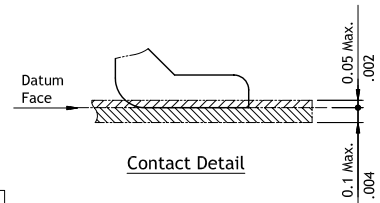
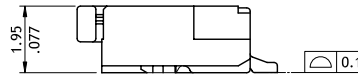
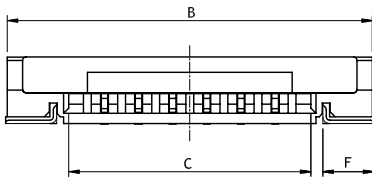
- ⊙ 1.95mm above the board
- ⊙ FFC/FPC zero insertion force and high retention force
- ⊙ Insulator: High temperature plastic UL 94V-0, Color Nature
- ⊙ Cover: High temperature plastic UL 94V-0, Color Black
- ⊙ Designed easy for FFC/FPC installation and reliable operation
- ⊙ With metal fixed tabs to secure connector in place



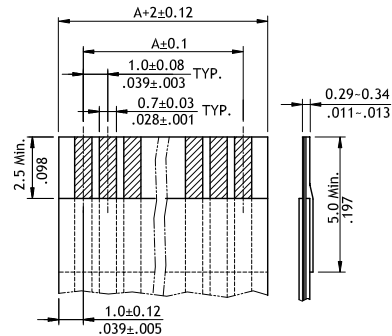
RoHS Compliant



A = 1.0 x No. of Spaces  
 B = A + 5.7  
 C = A + 2.1



Recommended PCB Layout



Accommodated FFC/FPC

Ordering Code

① ② ③ ④ ⑤ ⑥ ⑦ ⑧ ⑨  
**CF 3 1 3 0 1 D 0 R 0 - 10 - NH**

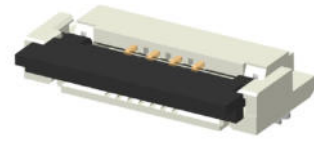
- ① Series No.
- ② No. of Circuits: 04 ~ 30  
 \*Circuits not found above please consult manufacturer\*
- ③ Plating Code:  
 1 = Matte Tin over Nickel  
 2 = Gold flash over Nickel

- ④ Contact Style:  
 D = Downside Contact
- ⑤ Color: 0 = Nature
- ⑥ Packing: R = Tape & Reel

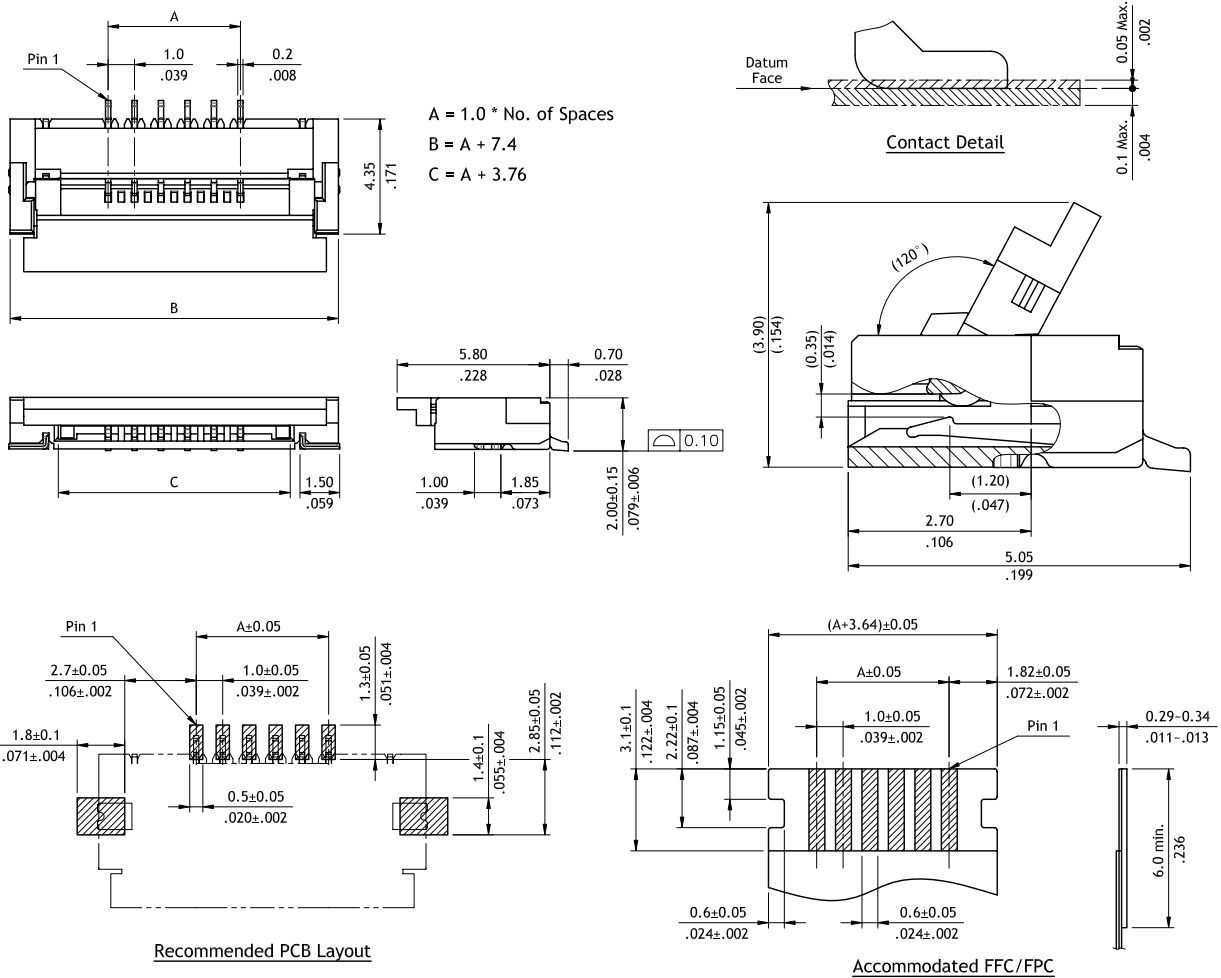
- ⑦ Other Options:  
 0 = Without Mylar, E=3.20mm,F=1.40  
 1=With Mylar, E=3.20mm,F=1.40  
 2 = Without Mylar, E=2.85mm,F=1.50  
 3=With Mylar, E=2.85mm,F=1.50
- ⑧ Pitch: 10 = 1.00 mm
- ⑨ NH = For Lead Free IR process and Halogen-Free

**CF31 Series 1.00mm(.039")H=2.00 SMT ZIF One-Touch FFC/FPC Connectors**

- ⊙ 2.00 mm above the board
- ⊙ FFC/FPC zero insertion force and high retention force
- ⊙ Insulator: High temperature plastic UL 94V-0, Color Nature
- ⊙ Cover: High temperature plastic UL 94V-0, Color Black
- ⊙ Designed easy for FFC/FPC installation and reliable operation
- ⊙ With metal fixed tabs to secure connector in place



RoHS Compliant



**Ordering Code**

① ② ③ ④ ⑤ ⑥ ⑦ ⑧ ⑨  
**CF 3 1 0 4 1 D 0 R J - 1 0 - NH**

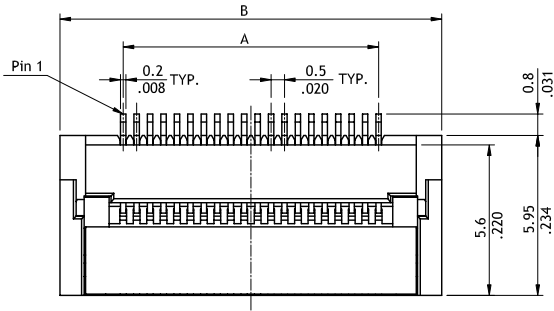
- ① Series No.
- ② No. of Circuits: 04 ~ 31 (Available: 4, 6, 12)  
\*Circuits not found above please consult manufacturer\*
- ③ Plating Code:  
2 = Gold flash over Nickel
- ④ Contact Style:  
D = Downside Contact
- ⑤ Color: 0 = Nature
- ⑥ Packing: R = Tape & Reel
- ⑦ Other Options:  
J = With Inner Lock
- ⑧ Pitch: 10 = 1.00 mm
- ⑨ NH = For Lead Free IR process and Halogen-Free

**CF34 Series 0.50mm(.020")H=1.95 SMT ZIF One-Touch FFC/FPC Connectors**

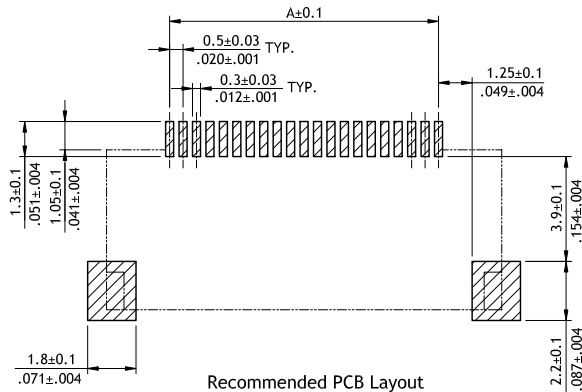
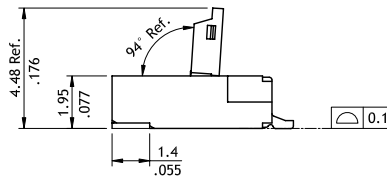
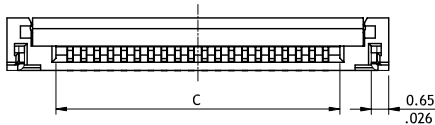
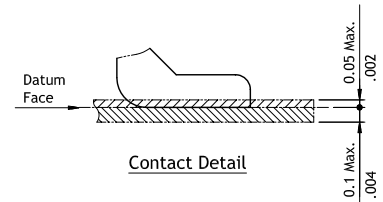
- ⊙ 1.95mm above the board
- ⊙ FFC/FPC zero insertion force and high holding force
- ⊙ Insulation: High temperature plastic UL 94V-0, Color Nature
- ⊙ Cover: High temperature plastic UL 94V-0, Color Black
- ⊙ Actuator designed easy for FFC/FPC installation and reliable operation
- ⊙ With metal fixed tabs to secure connector in place



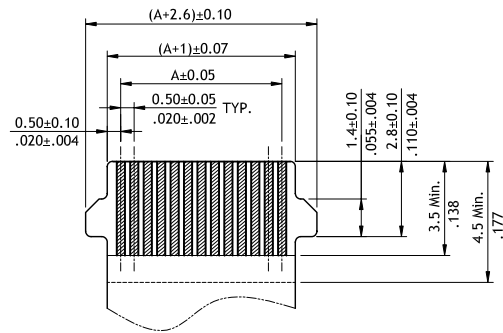
RoHS Compliant



A = 0.5 x No. of Spaces  
 B = A + 4.7  
 C = A + 1.06



Recommended PCB Layout



Accommodated FFC/FPC  
 Thickness: 0.3±0.03

**Ordering Code**

① ② ③ ④ ⑤ ⑥ ⑦ ⑧ ⑨  
**CF 3 4 0 6 1 D 0 R 0 - 05 - NH**

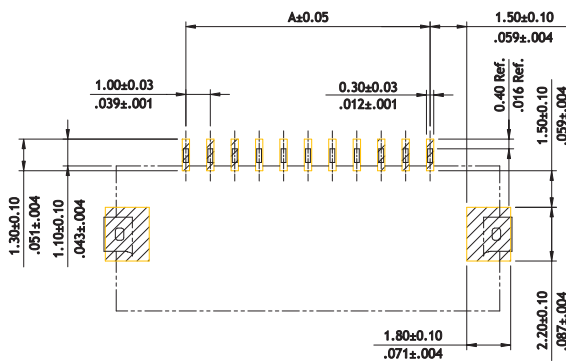
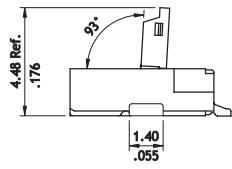
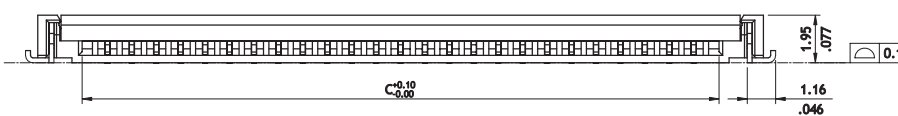
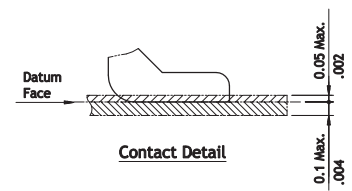
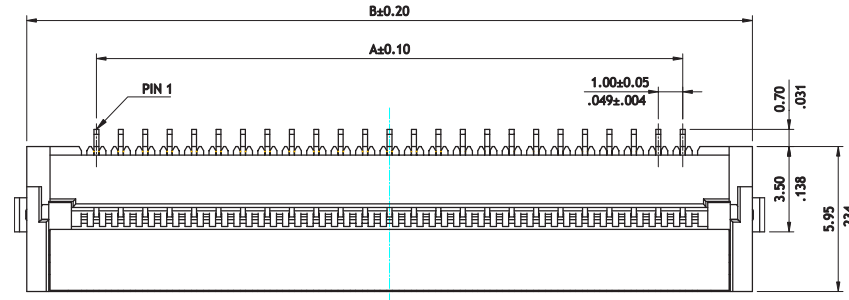
- ① Series No.
- ② No. of Circuits: 04 ~ 60 (Available: 6,18,54)  
 \*Circuits not found above please consult manufacturer\*
- ③ Plating Code:  
 1 = Matte Tin over Nickel  
 2 = Gold flash over Nickel

- ④ Contact Style:  
 D = Downside Contact
- ⑤ Color: 0 = Nature
- ⑥ Packing: R = Tape & Reel

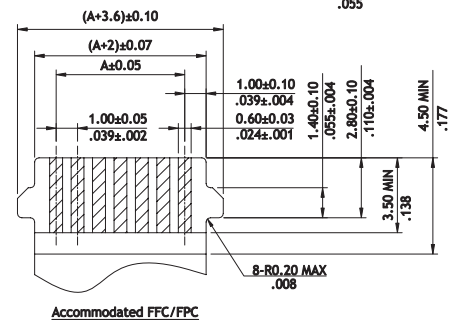
- ⑦ Other Options:  
 0 = Without Mylar (Standard)  
 \*Special options consult manufacturer
- ⑧ Pitch: 05 = 0.50 mm
- ⑨ NH = For Lead Free IR process and Halogen-Free

**CF34 Series 1.00mm(.039")H=1.95 SMT ZIF One-Touch FFC/FPC Connectors**

- ⊙ 1.95mm above the board
- ⊙ FFC/FPC zero insertion force and high holding force
- ⊙ Insulation: High temperature plastic UL 94V-0, Color Nature
- ⊙ Cover: High temperature plastic UL 94V-0, Color Black
- ⊙ Actuator designed easy for FFC/FPC installation and reliable operation
- ⊙ With metal fixed tabs to secure connector in place



Recommended P.C. Board Layout



Accommodated FFC/FPC

Circuits	Dimension		
	A	B	C
28	27.00(1.063)	32.70(1.287)	29.06(1.144)
30	29.00(1.142)	34.70(1.366)	31.06(1.223)
32	31.00(1.220)	36.70(1.445)	33.06(1.302)

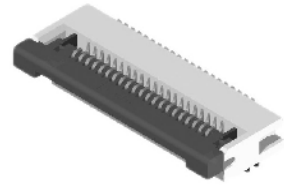
**Ordering Code**

① ② ③ ④ ⑤ ⑥ ⑦ ⑧ ⑨  
**CF 3 4 3 0 1 D 0 R B - 1 0 - NH**

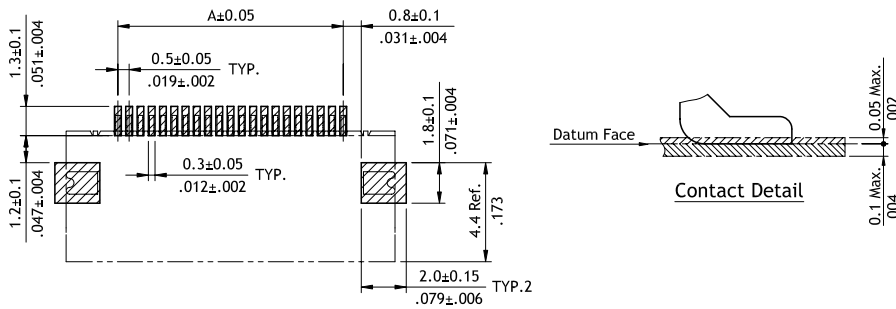
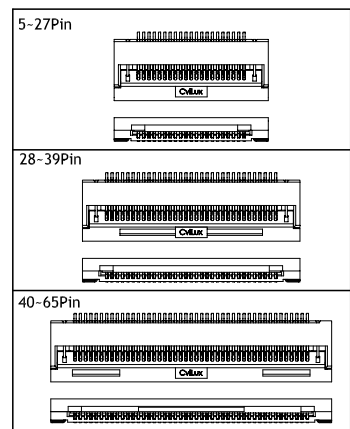
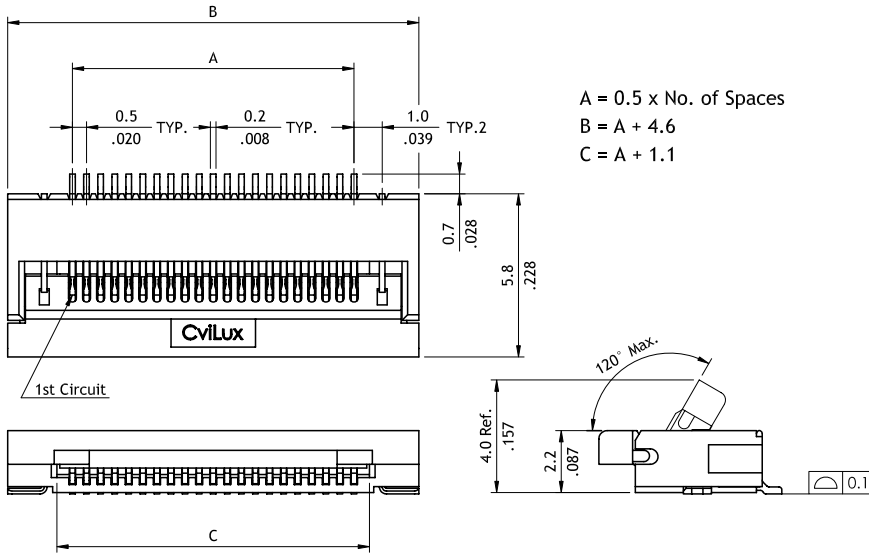
- ① Series No.
- ② No. of Circuits: 04 ~ 60  
(Available: 28,30,32)  
\*Circuits not found above please consult manufacturer\*
- ③ Plating Code:  
1 = Matte Tin over Nickel  
F = 0.8μ"Gold flash over Nickel
- ④ Contact Style:  
D = Downside Contact
- ⑤ Color: 0 = Nature
- ⑥ Packing: R = Tape & Reel
- ⑦ Other Options:  
B = Without Mylar (Standard)
- ⑧ Pitch: 10 = 1.00 mm
- ⑨ NH = For Lead Free IR process and Halogen-Free

**CF25 Series 0.50mm (.020")H=2.20 SMT ZIF One-Touch FFC/FPC Connectors**

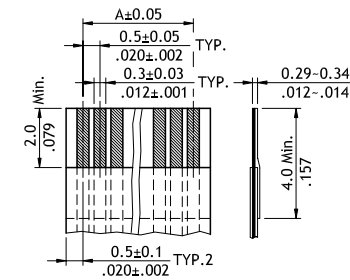
- ⊙ 2.2mm above the board
- ⊙ FFC/FPC zero insertion force and high retention force
- ⊙ Insulator: High temperature plastic UL 94V-0, Color Nature
- ⊙ Cover: High temperature plastic UL 94V-0, Color Black
- ⊙ Designed easy for FFC/FPC installation and reliable operation
- ⊙ With metal fixed tabs to secure connector in place



**RoHS** Compliant



Recommended PCB Layout



Accommodated FFC/FPC

**Ordering Code**

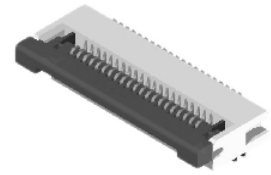
① ② ③ ④ ⑤ ⑥ ⑦ ⑧ ⑨  
**CF 2 5 6 5 1 D 0 R 0 - 0 5 - NH**

- ① Series No.
- ② No. of Circuits: 05 ~ 65  
\*Circuits not found above please consult manufacturer\*
- ③ Plating Code:  
1 = Matte Tin over Nickel  
F = Selective Gold flash over Nickel
- ④ Contact Style:  
D = Downside Contact
- ⑤ Color: 0 = Nature
- ⑥ Packing : R = Tape & Reel  
T = Tube
- ⑦ Other Options: 0 = Standard  
\*Special option consult manufacturer
- ⑧ Pitch: 05 = 0.50 mm
- ⑨ NH = For Lead Free IR process and Halogen-Free

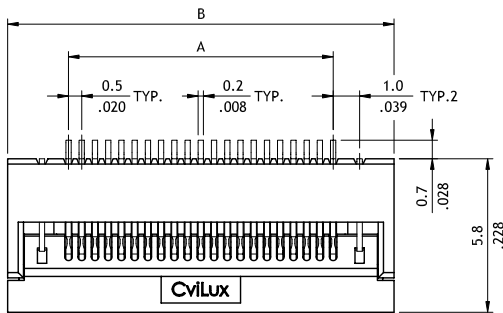


**CF25 Series 0.50mm (.020")H=2.20 SMT ZIF One-Touch FFC/FPC Connectors**

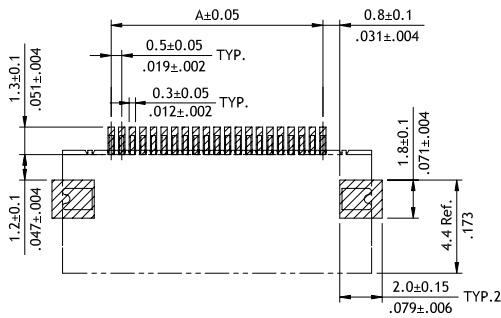
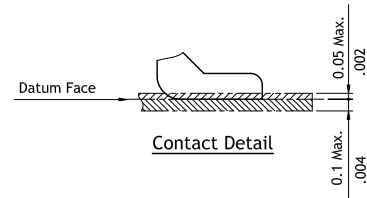
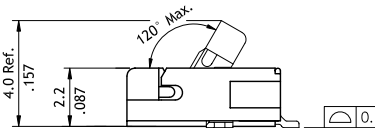
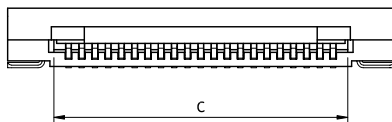
- ⊙ 2.2mm above the board
- ⊙ FFC/FPC zero insertion force and high retention force
- ⊙ Insulator: High temperature plastic UL 94V-0, Color Nature
- ⊙ Cover: High temperature plastic UL 94V-0, Color Black
- ⊙ Designed easy for FFC/FPC installation and reliable operation
- ⊙ With metal fixed tabs to secure connector in place



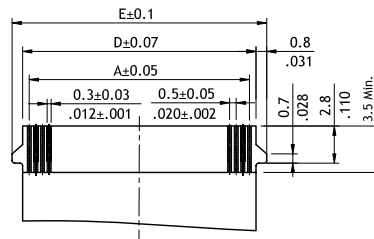
RoHS Compliant



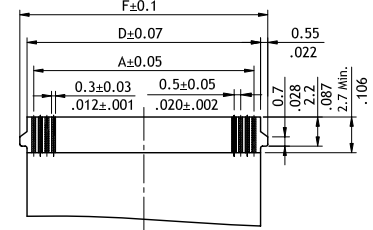
A = 0.5 x No. of Spaces  
 B = A + 4.6  
 C = A + 1.1  
 D = A + 1.0  
 E = A + 2.6  
 F = A + 2.1



Recommended PCB Layout



Accommodated FFC/FPC (TYPE1)



Accommodated FFC/FPC (TYPE2)

**Ordering Code**

① ② ③ ④ ⑤ ⑥ ⑦ ⑧ ⑨  
**CF 2 5 6 5 1 D 0 R E 0 5 - NH**

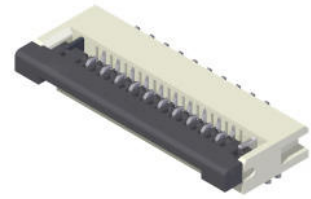
- ① Series No.
- ② No. of Circuits: 05 ~ 65  
\*Circuits not found above please consult manufacturer\*
- ③ Plating Code:  
1 = Matte Tin over Nickel  
F = Selective Gold flash over Nickel

- ④ Contact Style:  
D = Downside Contact
- ⑤ Color: 0 = Nature
- ⑥ Packing :  
R = Tape & Reel  
T = Tube

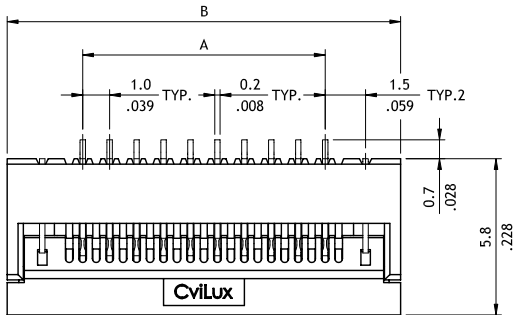
- ⑦ Other Options:  
D: Accommodated FFC/FPC (Type 1)  
E: Accommodated FFC/FPC (Type 2)
- ⑧ Pitch: 05 = 0.50 mm
- ⑨ NH = For Lead Free IR process and Halogen-Free

CF25 Series 1.00mm(.039")H=2.20 SMT ZIF One-Touch FFC/FPC Connectors

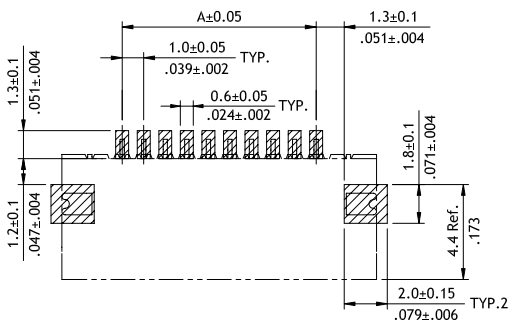
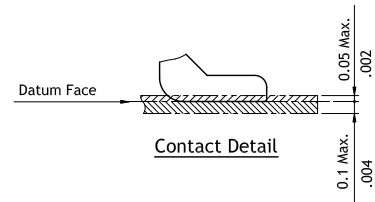
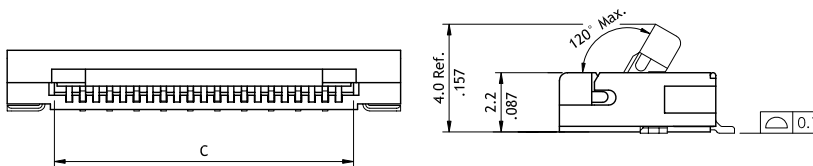
- ⊙ 2.2mm above the board
- ⊙ FFC/FPC zero insertion force and high retention force
- ⊙ Insulator: High temperature plastic UL 94V-0, Color Nature
- ⊙ Cover: High temperature plastic UL 94V-0, Color Black
- ⊙ Actuator designed easy for FFC/FPC installation and reliable operation
- ⊙ With metal fixed tabs to secure connector in place



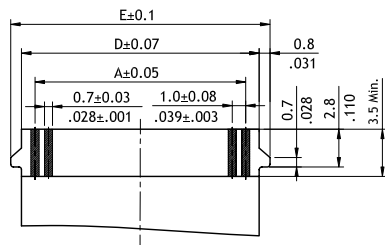
RoHS Compliant



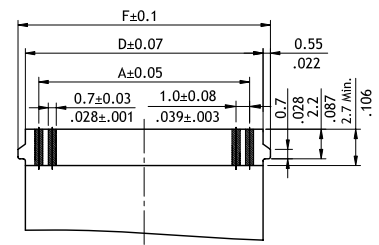
- A = 1.0 x No. of Spaces
- B = A + 5.6
- C = A + 2.1
- D = A + 2.0
- E = A + 3.6
- F = A + 3.1



Recommended PCB Layout



Accommodated FFC/FPC (TYPE1)



Accommodated FFC/FPC (TYPE2)

Ordering Code

① ② ③ ④ ⑤ ⑥ ⑦ ⑧ ⑨  
**CF 2 5 3 2 1 D 0 R D - 10 - NH**

- ① Series No.
- ② No. of Circuits: 04 ~32  
\*Circuits not found above please consult manufacturer\*
- ③ Plating Code:  
1 = Matte Tin over Nickel  
F = Selective Gold flash over Nickel

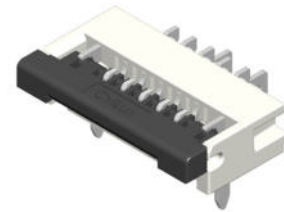
- ④ Contact Style:  
D = Downside Contact
- ⑤ Color: 0 = Nature
- ⑥ Packing:  
R = Tape & Reel  
T = Tube

- ⑦ Other Options:  
D = Accommodated FFC/FPC (Type 1)  
E = Accommodated FFC/FPC (Type 2)
- ⑧ Pitch: 10 = 1.00 mm
- ⑨ NH = For Lead Free IR process and Halogen-Free

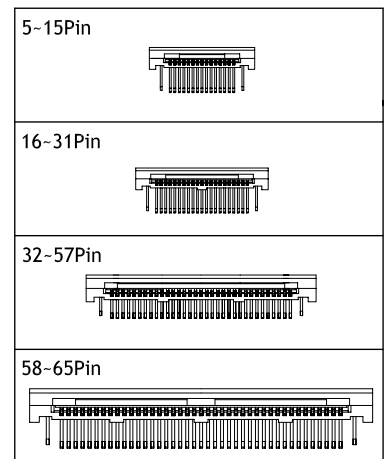
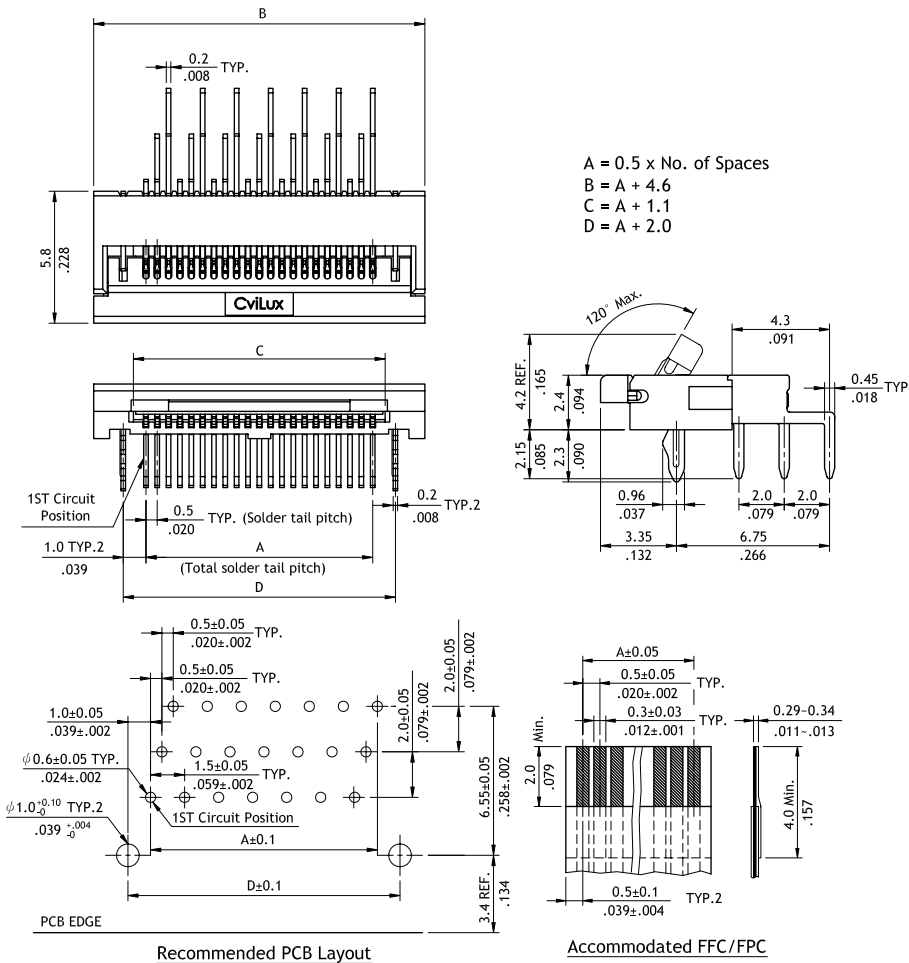
**CF25 Series 1.00mm (.039")H=2.40 DIP ZIF One-Touch FFC/FPC Connectors**

CF

- ⊙ 2.4mm above the board
- ⊙ FFC/FPC zero insertion force and high retention force
- ⊙ Insulator: High temperature plastic UL 94V-0, Color Nature
- ⊙ Cover: High temperature plastic UL 94V-0, Color Black
- ⊙ With metal Pegs



RoHS Compliant



Ordering Code	①	②	③	④	⑤	⑥	⑦	⑧	⑨
	CF	25	32	1	H	0	T	0	- 10 - NH

① Series No.  
 ② No. of Circuits: 04 ~ 32  
 \*Circuits not found above please consult manufacturer\*  
 ③ Plating Code:  
 1 = Matte Tin over Nickel  
 2 = Gold flash over Nickel  
 ④ Contact Style:  
 H = Right Angle DIP Type (Downside Contact)  
 ⑤ Color: 0 = Nature  
 ⑥ Packing : T = Tube  
 ⑦ Other Options: 0 = Standard  
 \*Special option consult manufacturer  
 ⑧ Pitch: 10 = 1.00 mm  
 ⑨ NH = For Lead Free IR process and Halogen-Free

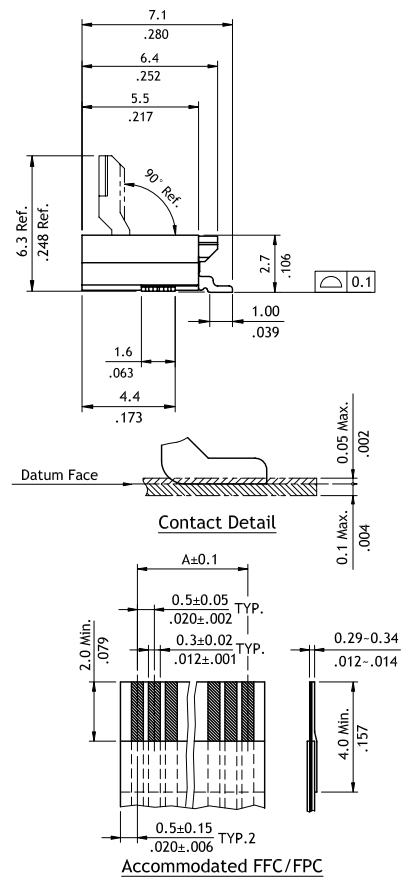
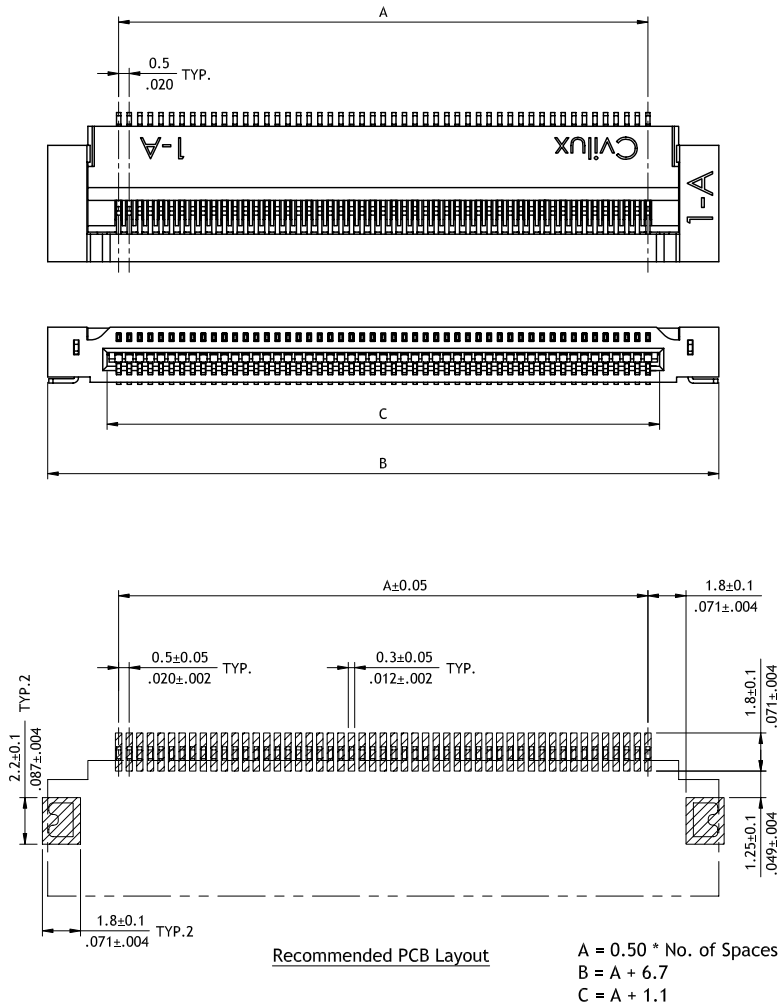
FFC & FPC CONNECTOR

CF11 Series 0.50mm(.039")H=2.70 SMT ZIF FFC/FPC Connectors (Back Flip actuator)

- ⊙ 2.7mm above the board
- ⊙ Copper alloy dual contacts
- ⊙ Insulator: High temperature plastic UL 94V-0, Color Black
- ⊙ Cover: High temperature plastic UL 94V-0, Color Black
- ⊙ With metal fixed tabs to secure connector in place



RoHS Compliant



Ordering Code

① ② ③ ④ ⑤ ⑥ ⑦ ⑧ ⑨  
**CF 1 1 5 1 2 D 1 R A - 05 - NH**

① Series No.

② No. of Circuits: 04 ~ 60  
 (Available: 5,8,20,26,41,45, 50,51)

\*Circuits not found above please consult manufacturer\*

③ Plating Code:

2 = Gold flash over Nickel

④ Contact Style:

D = Downside Contact

⑤ Color: 1 = Black

⑥ Packing: R = Tape & Reel  
 T = Tube

⑦ Other Options: A = Standard

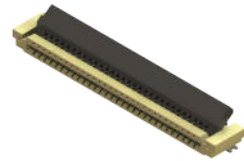
⑧ Pitch: 05 = 0.50 mm

⑨ NH = For Lead Free IR process and Halogen-Free

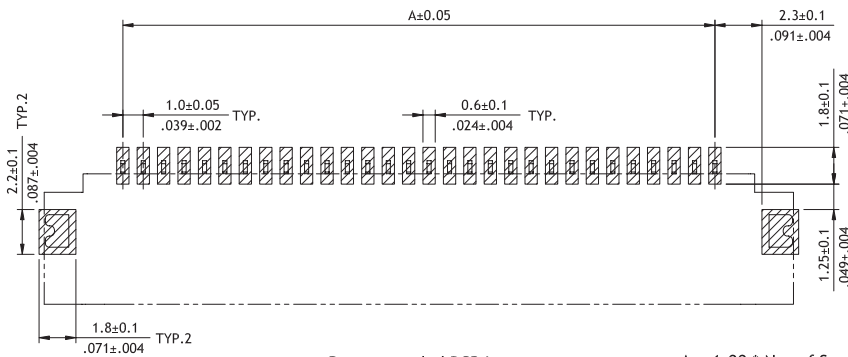
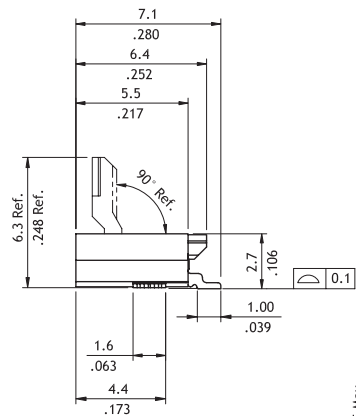
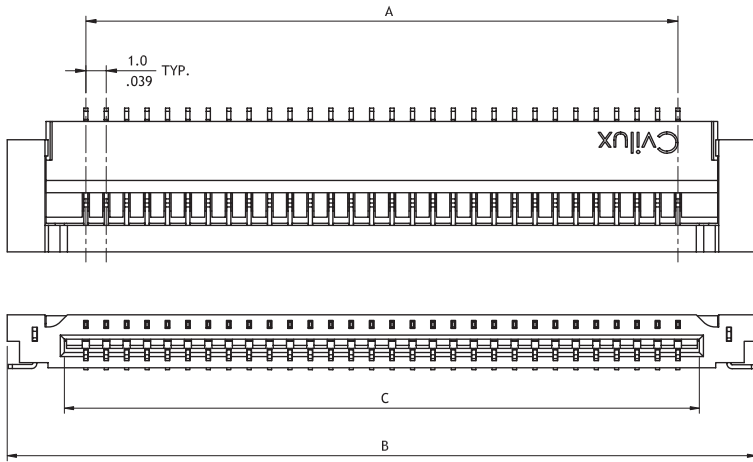
**CF11 Series 1.00mm(.039")H=2.70 SMT ZIF FFC/FPC Connectors (Back Flip actuator)**

CF

- ⊙ 2.7mm above the board
- ⊙ Copper alloy dual contacts
- ⊙ Insulator: High temperature plastic UL 94V-0, Color Nature
- ⊙ Cover: High temperature plastic UL 94V-0, Color Black
- ⊙ With metal fixed tabs to secure connector in place

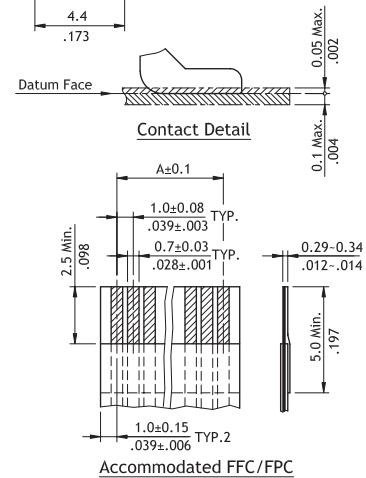


RoHS Compliant



Recommended PCB Layout

A = 1.00 \* No. of Spaces  
 B = A + 7.7  
 C = A + 2.1



Accommodated FFC/FPC

**Ordering Code**

① ② ③ ④ ⑤ ⑥ ⑦ ⑧ ⑨  
**CF 1 1 3 0 2 D 0 R A - 10 - NH**

① Series No.

② No. of Circuits: 04 ~ 30  
 (Available: 8,30)

\*Circuits not found above  
 please consult manufacturer\*

③ Plating Code:

2 = Gold flash over Nickel

④ Contact Style:

D = Downside Contact

⑤ Color: 0 = Nature

⑥ Packing: R = Tape & Reel  
 T = Tube

⑦ Other Options: A = Standard

⑧ Pitch: 10 = 1.00 mm

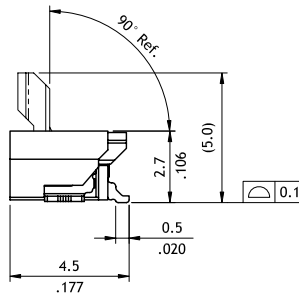
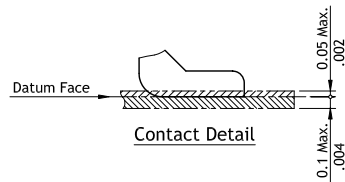
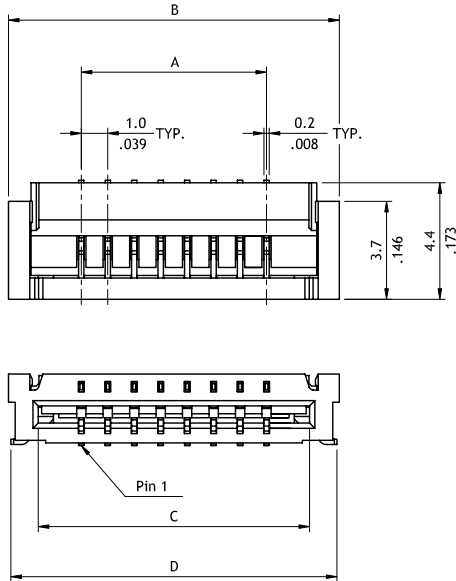
⑨ NH = For Lead Free IR  
 process and Halogen-Free

CF11 Series 1.00mm(.039")H=2.70 SMT ZIF FFC/FPC Connectors (Back Flip actuator)

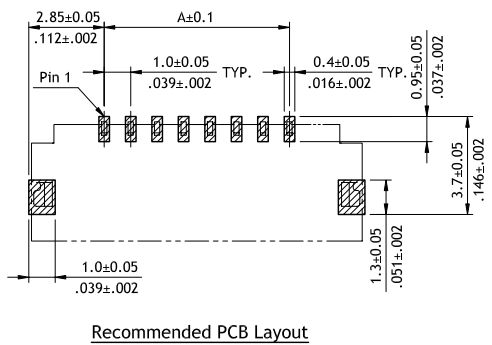
- ⊙ 2.7mm above the board
- ⊙ Copper alloy dual contacts
- ⊙ Insulator: High temperature plastic UL 94V-0, Color Nature
- ⊙ Cover: High temperature plastic UL 94V-0, Color Black
- ⊙ With metal fixed tabs to secure connector in place



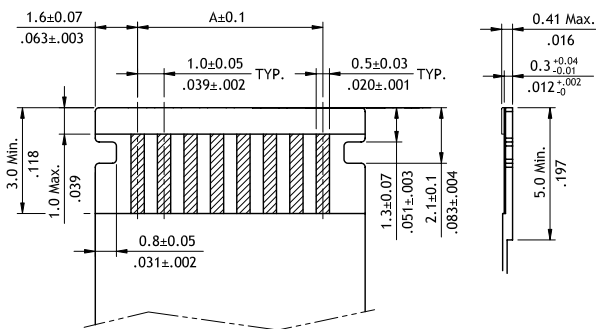
RoHS Compliant



A = 1.0 \* No. of Spaces  
 B = A + 5.5  
 C = A + 3.25  
 D = A + 5.3



Recommended PCB Layout



Accommodated FFC/FPC

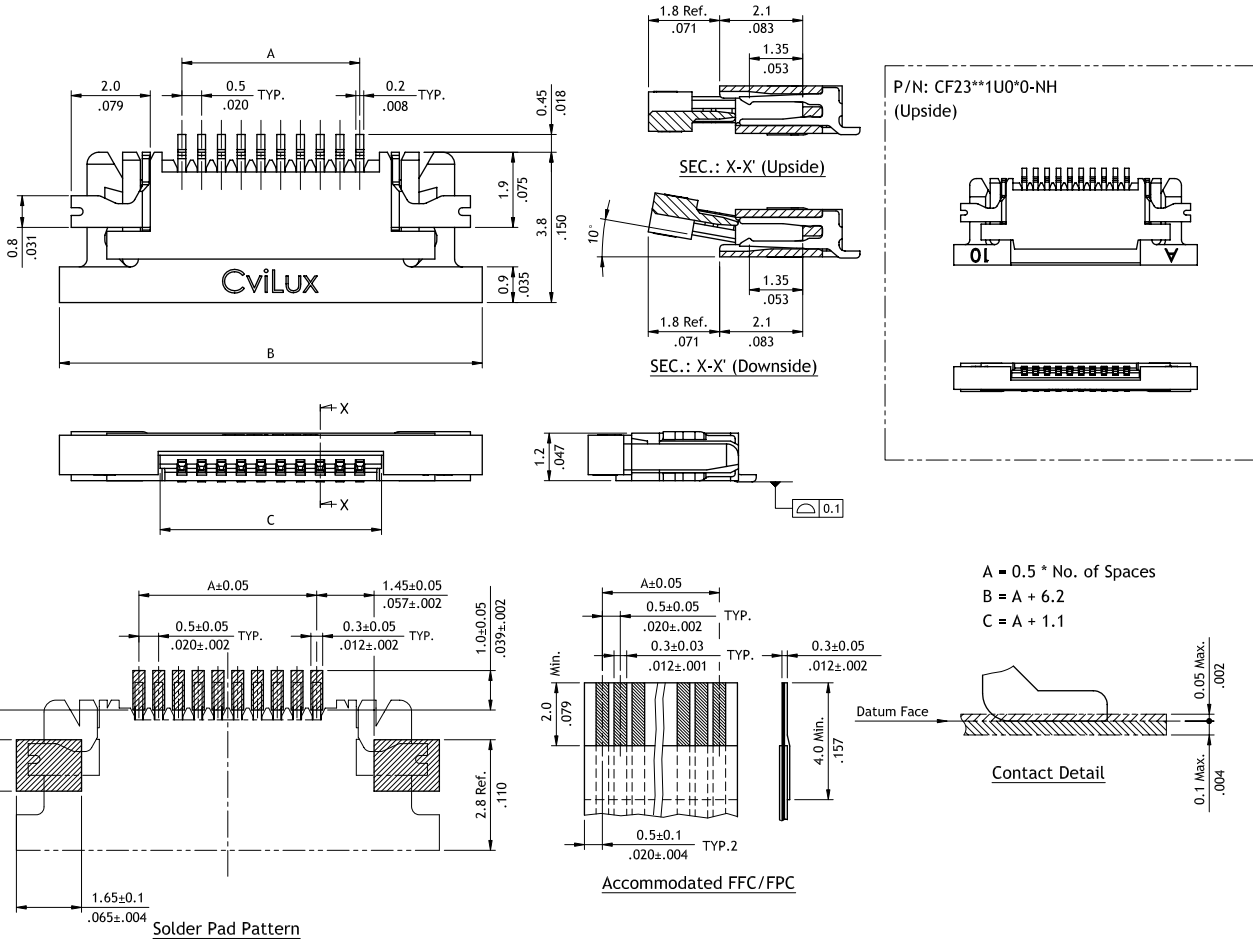
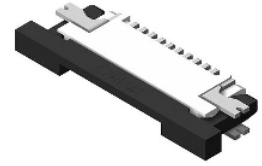
Ordering Code

① ② ③ ④ ⑤ ⑥ ⑦ ⑧ ⑨  
**CF 1 1 0 8 1 D 0 R C - 10 - NH**

- ① Series No.
- ② No. of Circuits: 04 ~ 20 (Available: 8/10/15)  
\*Circuits not found above please consult manufacturer\*
- ③ Plating Code:  
1 = Matte Tin over Nickel
- ④ Contact Style:  
D = Downside Contact
- ⑤ Color: 0 = Nature
- ⑥ Packing: R = Tape & Reel  
T = Tube
- ⑦ Other Options:  
C = Type C  
\*Special option consult manufacturer
- ⑧ Pitch: 10 = 1.00 mm
- ⑨ NH = For Lead Free IR process and Halogen-Free

**CF23 Series 0.50mm(.020") H=1.20 SMT ZIF FFC/FPC Connectors**

- ⊙ 1.2mm above the board
- ⊙ Insulator: High temperature plastic UL 94V-0, Color Nature
- ⊙ Slider: High temperature plastic UL 94V-0, Color Black
- ⊙ Fully checked by CCD and Hi-Pot test
- ⊙ With metal fixed tabs to secure connector in place



Ordering Code	①	②	③	④	⑤	⑥	⑦	⑧
	CF	23	40	1	U	0	R	0 - NH

**① Series No.**  
**② No. of Circuits: 04 ~ 40**  
 (Available: 4~40)  
 \*Circuits not found above please consult manufacturer\*

**③ Plating Code:**  
 1 = Matte Tin over Nickel

**④ Contact Style:**  
 U = Upside Contact  
 D = Downside Contact

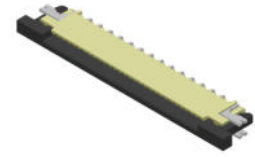
**⑤ Color: 0 = Nature**  
**⑥ Packing: R = Tape & Reel**  
 T = Tube

**⑦ Other Options: 0 = Standard**  
 \* Special options consult manufacturer

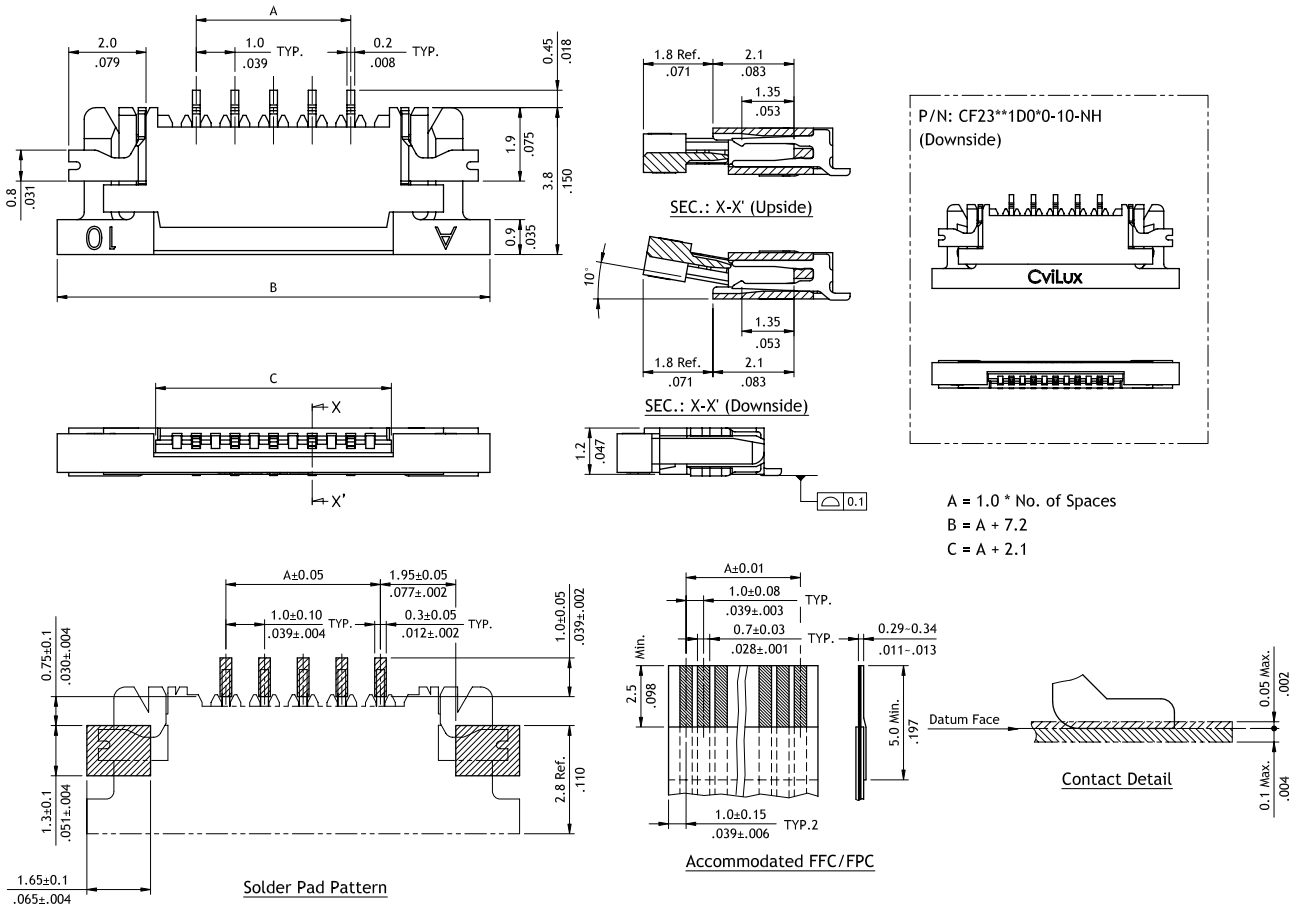
**⑧ NH = For Lead Free IR**  
 process and Halogen-Free

**CF23 Series 1.00mm(.039") H=1.20 SMT ZIF FFC/FPC Connectors**

- ⊙ 1.2mm above the board
- ⊙ Insulator: High temperature plastic UL 94V-0, Color Nature
- ⊙ Slider: High temperature plastic UL 94V-0, Color Black
- ⊙ Fully checked by CCD and Hi-Pot test
- ⊙ With metal fixed tabs to secure connector in place



**RoHS** Compliant **RoHS**



**Ordering Code**

① ② ③ ④ ⑤ ⑥ ⑦ ⑧ ⑨  
**CF 23 19 1 U 0 R 0 - 10 - NH**

- ① Series No.
- ② No. of Circuits: 03 ~ 19  
 \*Circuits not found above please consult manufacturer\*

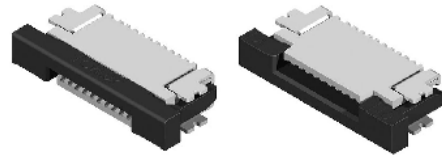
- ③ Plating Code:  
 1 = Matte Tin over Nickel
- ④ Contact Style:  
 U = Upside Contact  
 D = Downside Contact
- ⑤ Color: 0 = Nature
- ⑥ Packing: R = Tape & Reel  
 T = Tube

- ⑦ Other Options: 0 = Standard  
 \*Special option consult manufacturer
- ⑧ Pitch: 10 = 1.00 mm
- ⑨ NH = For Lead Free IR process and Halogen-Free

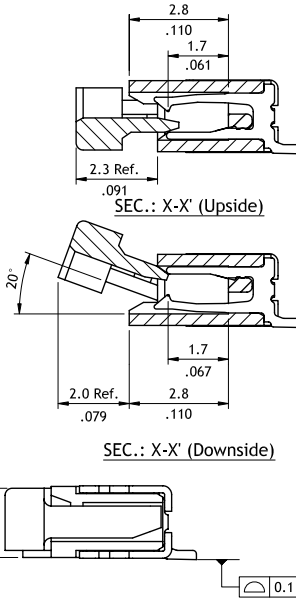
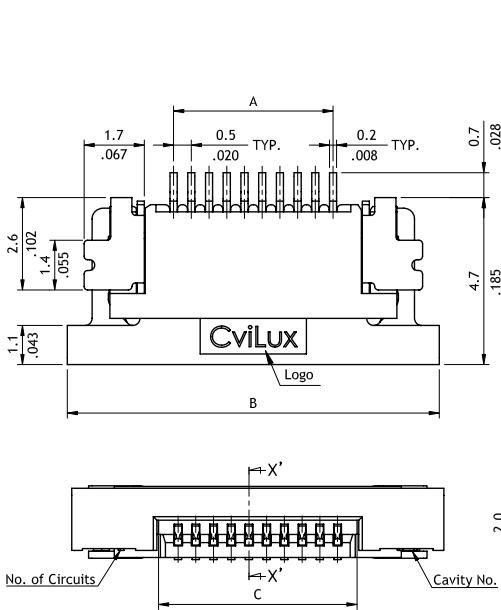


**CF20 Series 0.50mm(.020") H=2.00 SMT ZIF FFC/FPC Connectors**

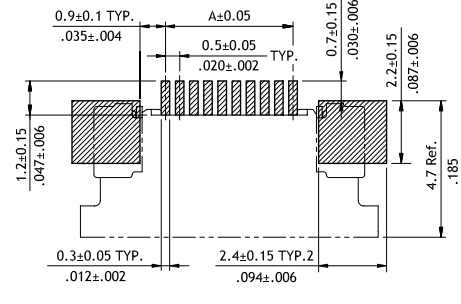
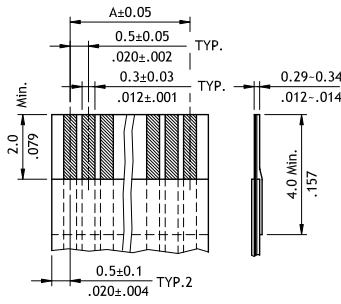
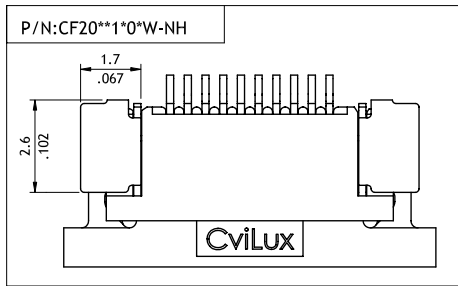
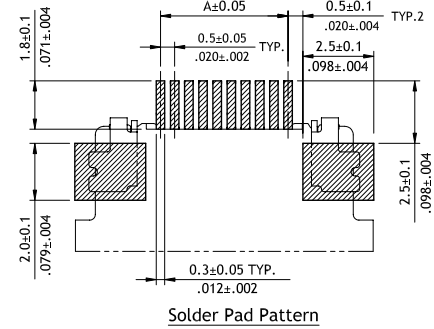
- ⊙ 2.00 mm above the board
- ⊙ Insulator: High temperature plastic UL 94V-0, Color Nature
- ⊙ Slider: High temperature plastic UL 94V-0, Color Black
- ⊙ With metal fixed tabs to secure connector in place



RoHS Compliant



A = 0.5 \* No. of Spaces  
 B = A + 6.0  
 C = A + 1.1



**Ordering Code**

① ② ③ ④ ⑤ ⑥ ⑦ ⑧  
**CF 20 55 1 D 0 R 0 - NH**

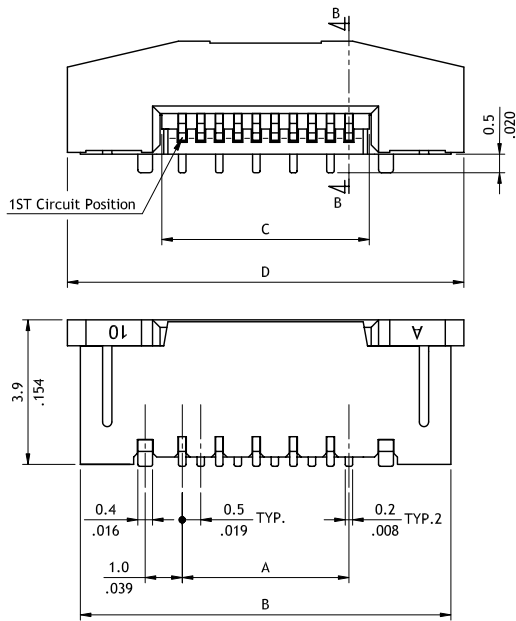
- ① Series No.
- ② No. of Circuits: 04 ~ 55
- ③ Plating Code:  
 1 = Matte Tin over Nickel  
 2 = Gold flash over Nickel
- ④ Contact Style:  
 U = Upside Contact  
 D = Downside Contact
- ⑤ Color: 0 = Nature
- ⑥ Packing:  
 R = Tape & Reel  
 T = Tube
- ⑦ Other Options:  
 0 = Standard  
 W = Wide tabs
- ⑧ NH = For Lead Free IR process and Halogen-Free

CF20 Series 0.50mm(.020") H=3.90 SMT ZIF Vertical FFC/FPC Connectors

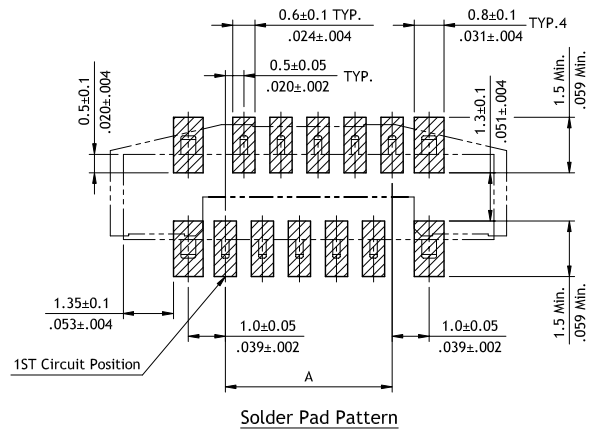
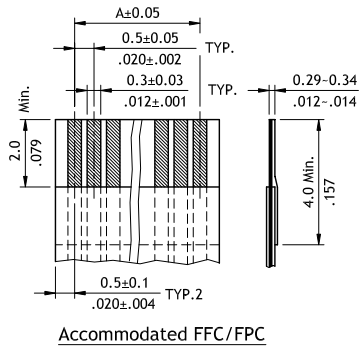
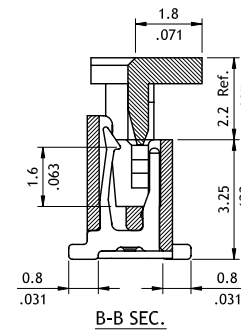
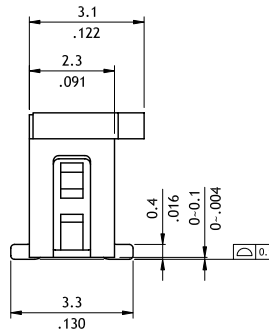
- ⓪ 3.9mm above the board
- ⓪ Insulator: High temperature plastic UL 94V-0, Color Nature
- ⓪ Slider: High temperature plastic UL 94V-0, Color Black
- ⓪ With metal fixed tabs to secure connector in place



RoHS Compliant



A = 0.5 x No. of Spaces  
 B = A + 5.5  
 C = A + 1.2  
 D = A + 6.8



Ordering Code

① ② ③ ④ ⑤ ⑥ ⑦ ⑧  
**CF 20 55 1 V 0 R 0 - NH**

- ① Series No.
- ② No. of Circuits: 04 ~ 55
- ③ Plating Code:  
 1 = Matte Tin over Nickel  
 2 = Gold flash over Nickel

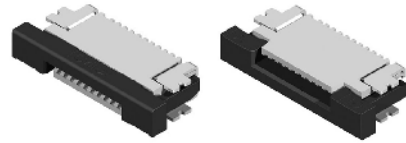
- ④ Contact Style:  
 V = Vertical Type
- ⑤ Color: 0 = Nature
- ⑥ Packing:  
 R = Tape & Reel  
 T = Tube

- ⑦ Other Options: 0 = Standard  
 \* Special options consult manufacturer
- ⑧ NH = For Lead Free IR process and Halogen-Free

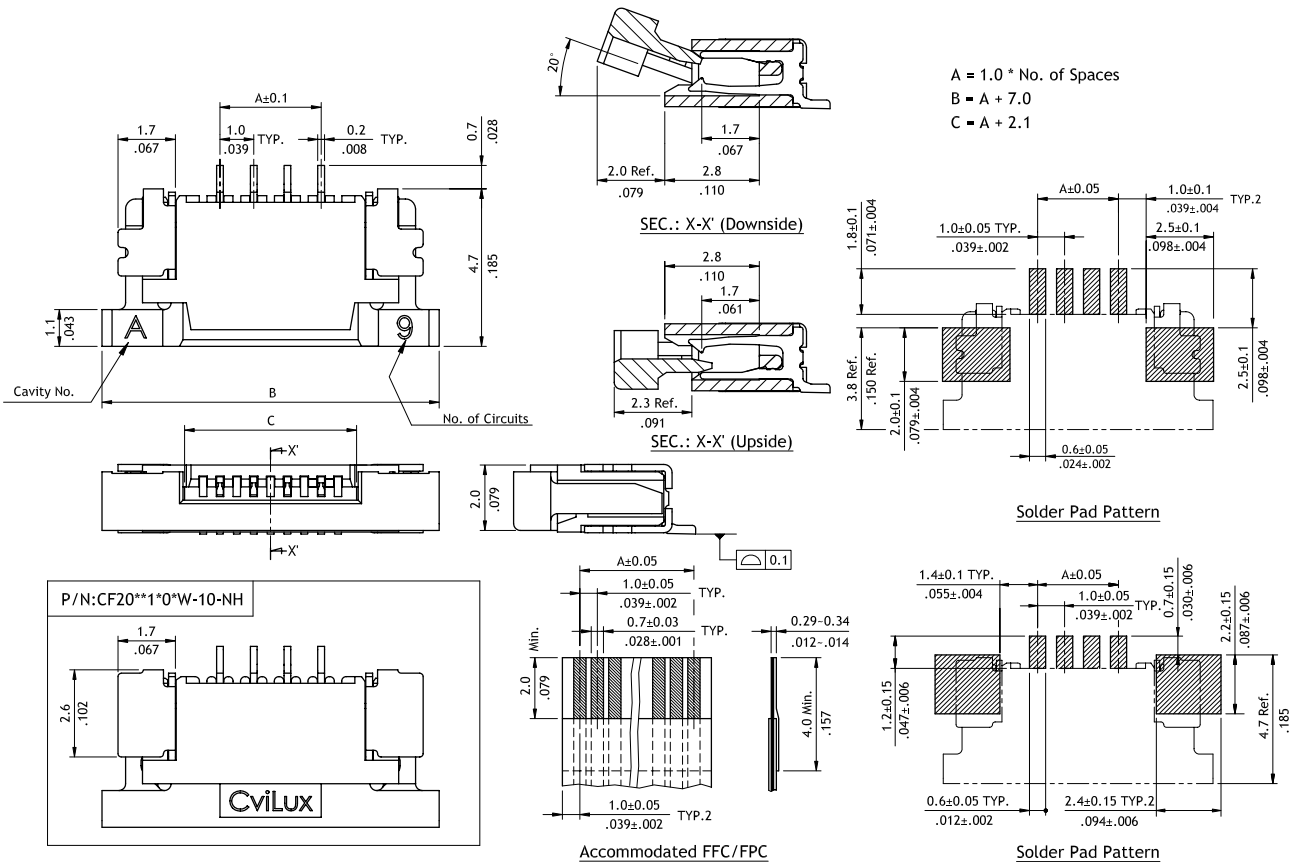
**CF20 Series 1.00mm(.039") H=2.00 SMT ZIF FFC/FPC Connectors**

CF

- Ⓞ Insulator: High temperature plastic UL 94V-0, Color Nature
- Ⓞ Slider: High temperature plastic UL 94V-0, Color Black
- Ⓞ With metal fixed tabs to secure connector in place



RoHS Compliant



Ordering Code	①	②	③	④	⑤	⑥	⑦	⑧	⑨
	CF	20	27	1	U	0	R	0	- 10 - NH
① Series No.									
② No. of Circuits: 04 ~ 27									
③ Plating Code: 1 = Matte Tin over Nickel 2 = Gold flash over Nickel									
④ Contact Style: U = Upside Contact D = Downside Contact									
⑤ Color: 0 = Nature									
⑥ Packing: R = Tape & Reel T = Tube									
⑦ Other Options: 0 = Standar W = Wide Tabs									
⑧ Pitch: 10 = 1.00 mm									
⑨ NH = For Lead Free IR process and Halogen-Free									

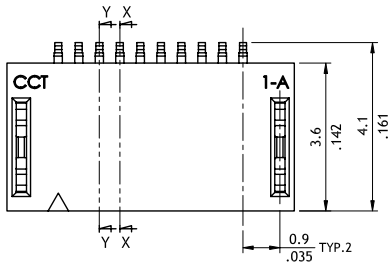
FFC & FPC CONNECTOR

**CF27 Series 0.50mm(.020") H=1.20 SMT LIF FFC/FPC Connectors**

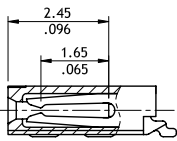
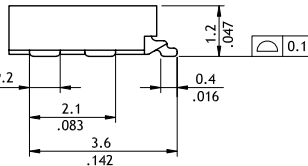
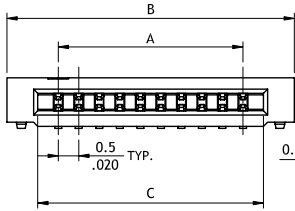
- ⊙ 1.2mm above the board
- ⊙ Copper alloy dual contacts
- ⊙ Insulator: High temperature plastic UL 94V-0, Color Nature
- ⊙ With metal fixed tabs to secure connector in place



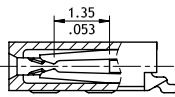
**RoHS** Compliant



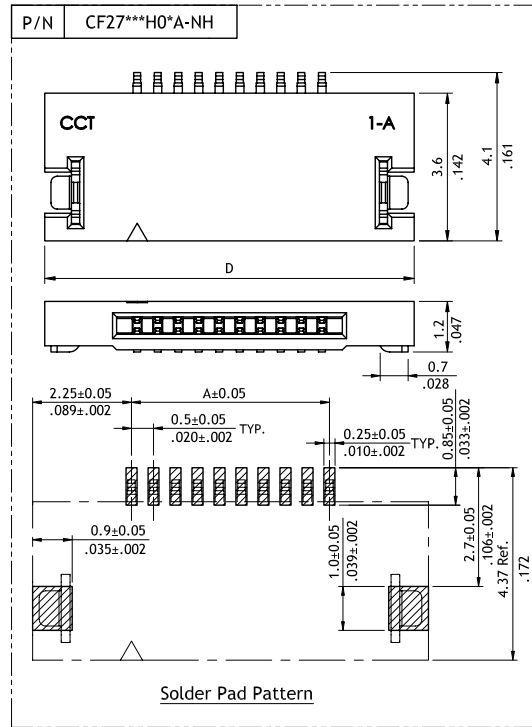
A = 0.5 x No. of Spaces  
 B = A + 2.5  
 C = A + 1.0  
 D = A + 4.5



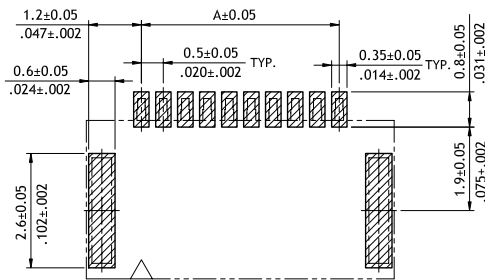
SEC.: Y-Y



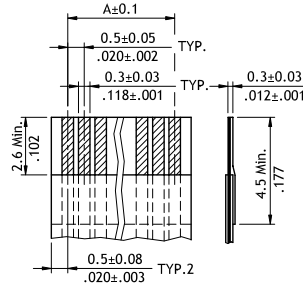
SEC.: X-X



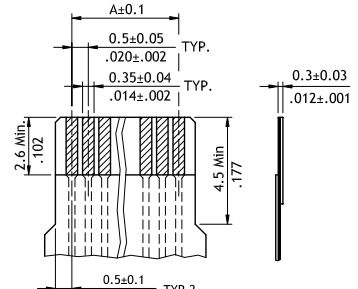
Solder Pad Pattern



Solder Pad Pattern



Accommodated FFC



Accommodated FPC

**Ordering Code**

① ② ③ ④ ⑤ ⑥ ⑦ ⑧  
**CF 27 20 1 H 0 R 0 - NH**

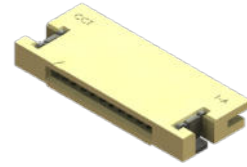
- ① Series No.
- ② No. of Circuits: 04 ~ 20
- ③ Plating Code:  
 1 = Matte Tin over Nickel  
 2 = Gold flash over Nickel

- ④ Contact Style:  
 H = Side Entry
- ⑤ Color: 0 = Nature
- ⑥ Packing:  
 R = Tape & Reel  
 T = Tube

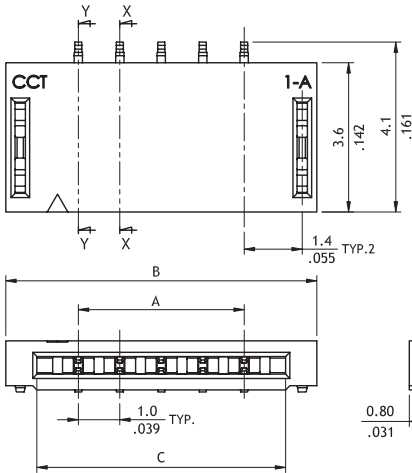
- ⑦ Other Options:  
 0 = Standard  
 A = Base of Wide size
- ⑧ NH = For Lead Free IR process and Halogen-Free

**CF27 Series 1.00mm(.039") H=1.20 SMT LIF FFC/FPC Connectors**

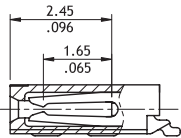
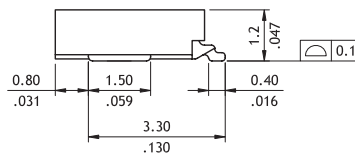
- ⊙ 1.2mm above the board
- ⊙ Copper alloy dual contacts
- ⊙ Insulator: High temperature plastic UL 94V-0, Color Nature
- ⊙ With metal fixed tabs to secure connector in place



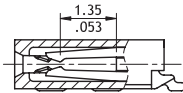
RoHS Compliant



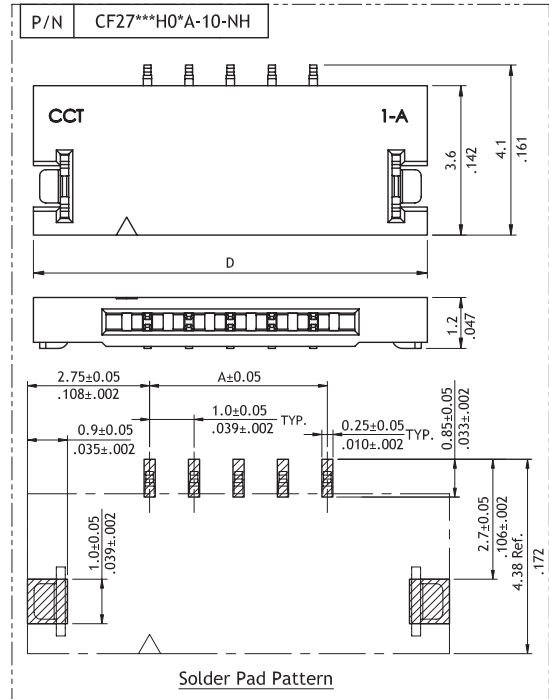
A = 1.0 x No. of Spaces  
 B = A + 3.5  
 C = A + 2.0  
 D = A + 5.5



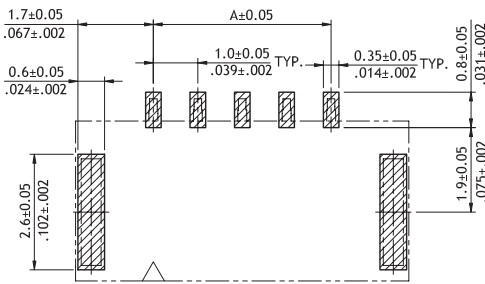
SEC.: Y-Y



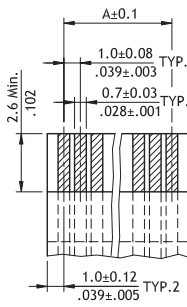
SEC.: X-X



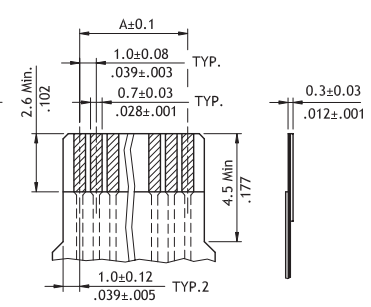
Solder Pad Pattern



Solder Pad Pattern



Accommodated FFC



Accommodated FPC

**Ordering Code**

① ② ③ ④ ⑤ ⑥ ⑦ ⑧ ⑨  
**CF 27 10 1 H 0 R 0 - 10 - NH**

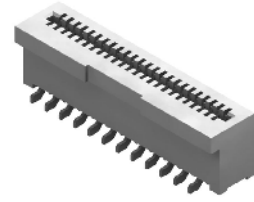
- ① Series No.
- ② No. of Circuits: 04 ~ 10
- ③ Plating Code:  
 1 = Matte Tin over Nickel  
 2 = Gold flash over Nickel

- ④ Contact Style:  
 H = Side Entry
- ⑤ Color: 0 = Nature
- ⑥ Packing:  
 R = Tape & Reel  
 T = Tube

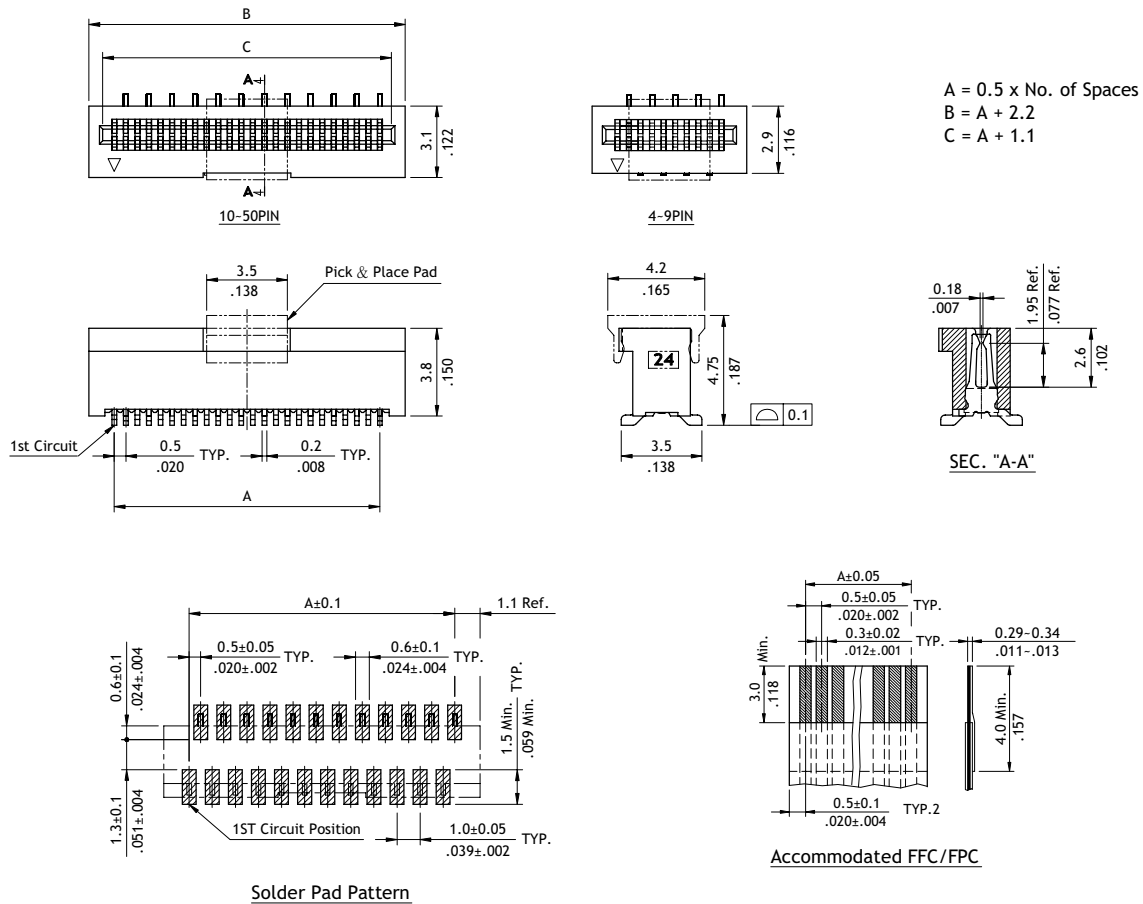
- ⑦ Other Options:  
 0 = Standard  
 A = Base of Wide size
- ⑧ Pitch: 10 = 1.00 mm
- ⑨ NH = For Lead Free IR process and Halogen-Free

**CF24 Series 0.50mm(.020") H=4.20 SMT LIF Vertical FFC/FPC Connectors**

- ⊙ Tin plated over copper alloy dual contacts
- ⊙ Insulator: High temperature plastic UL 94V-0, Color Nature
- ⊙ Low insertion force



RoHS Compliant



**Ordering Code**

① ② ③ ④ ⑤ ⑥ ⑦ ⑧  
**CF 24 50 1 V 0 R 0 - NH**

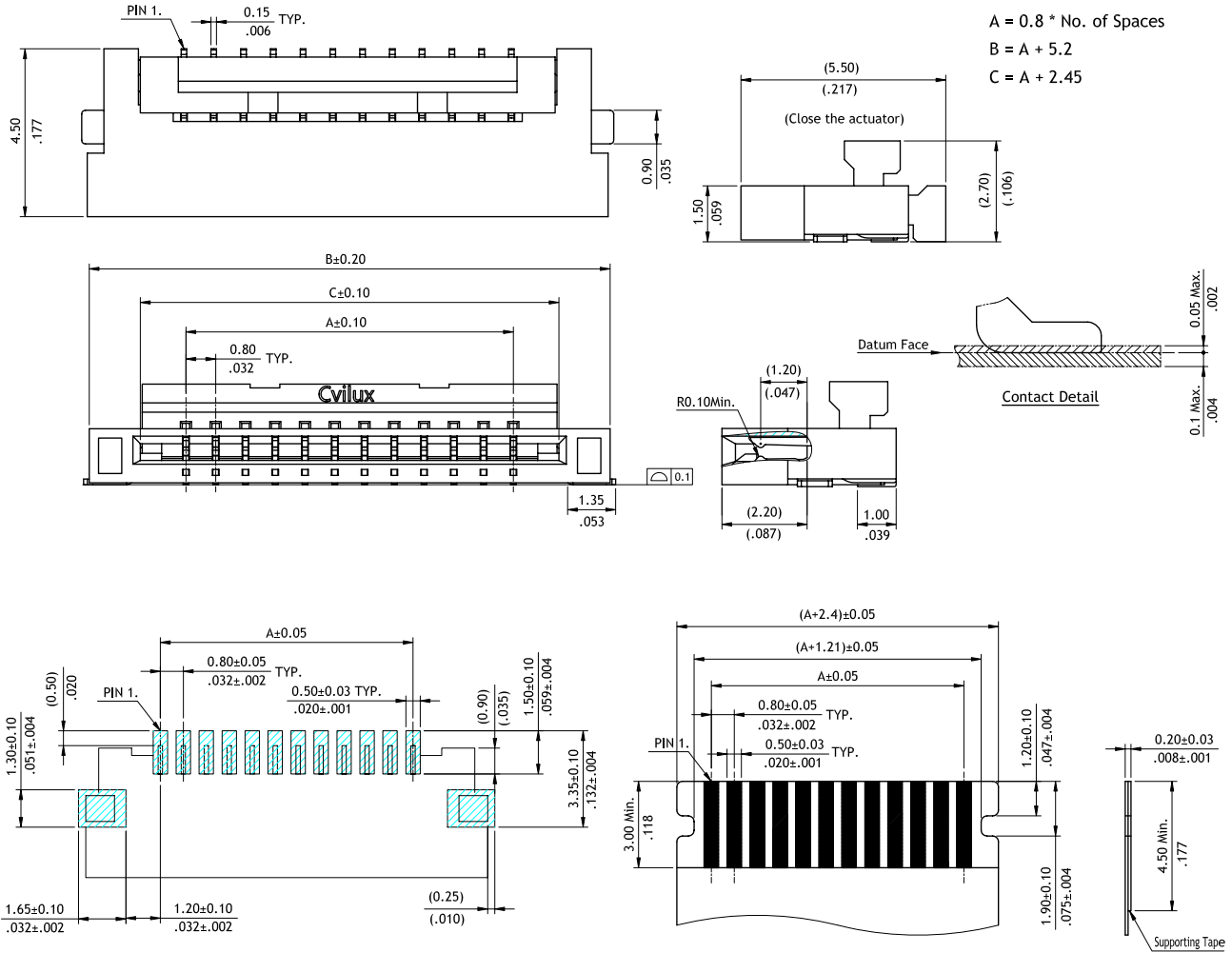
- ① Series No.
- ② No. of Circuits: 04 ~50
- ③ Plating Code:  
1 = Matte Tin over Nickel
- ④ Contact Style:  
V = Vertical Type
- ⑤ Color: 0 = Nature
- ⑥ Packing:  
R = Tape & Reel  
T = Tube
- ⑦ Other Options:  
0 = With pick & place pad (Standard)  
N = Without pick & place pad  
\*Special options consult manufacturer
- ⑧ NH = For Lead Free IR process and Halogen-Free

**CF95 Series 0.8mm(.031") H=1.50 SMT ZIF FFC/FPC Connectors (Back Flip actuator)**

- Ⓞ 1.50mm above the board
- Ⓞ FFC/FPC zero insertion force and high retention force
- Ⓞ Insulator: High temperature plastic UL 94V-0, Color Nature
- Ⓞ Cover : High temperature plastic UL 94V-0, Color Black
- Ⓞ Actuator designed easy for FPC installation and reliable operation
- Ⓞ With metal fixed tabs to secure connector in place



RoHS Compliant



Recommended P.C. Board Layout

Accommodated FFC/FPC

**Ordering Code**

① ② ③ ④ ⑤ ⑥ ⑦ ⑧  
**CF 9 5 3 0 1 H 0 R 0 - NH**

- ① Series No.
- ② No. of Circuits: 04 ~ 30
- ③ Plating Code:  
 1 = Matte Tin over Nickel  
 F = Gold flash over Nickel

- ④ Contact style :  
 H = Dual Side
- ⑤ Color : 0 = Nature

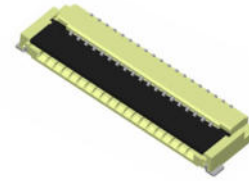
- ⑥ Packing : R = Tape & Reel
- ⑦ Options: 0 = Standard
- ⑧ NH = For Lead Free soldering process and Halogen-Free



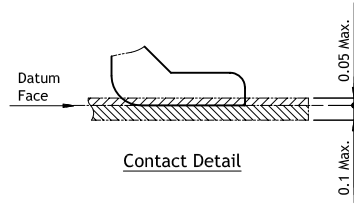
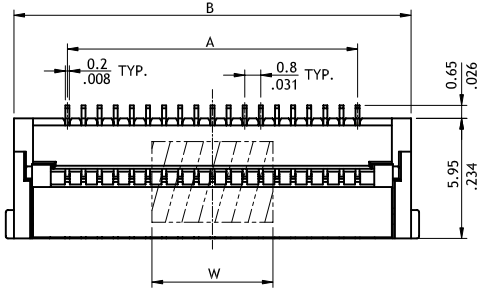


**CF32 Series 0.80mm(.031")H=1.95 SMT ZIF One-Touch FFC/FPC Connectors**

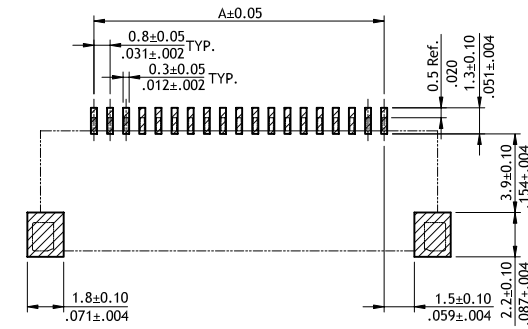
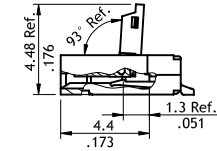
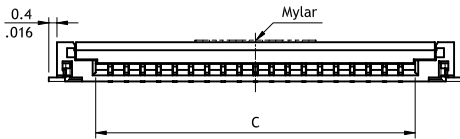
- ⊙ 1.95mm above the board
- ⊙ FFC/FPC zero insertion force and high retention force
- ⊙ Insulation: High temperature plastic UL 94V-0, Color Nature
- ⊙ Cover: High temperature plastic UL 94V-0, Color Black
- ⊙ Actuator designed easy for FFC/FPC installation and reliable operation
- ⊙ With metal fixed tabs to secure connector in place



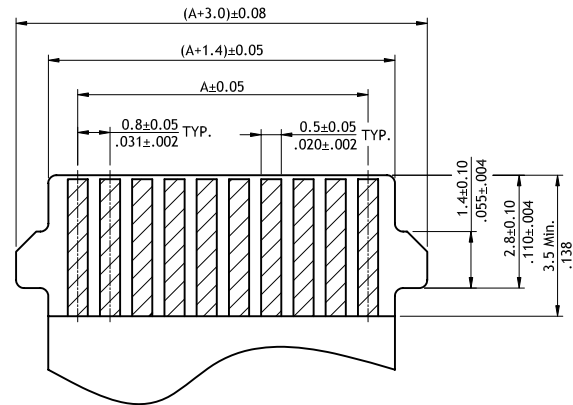
RoHS Compliant



A = 0.8 x No. of Spaces  
 B = A + 5.3  
 C = A + 1.45  
 4- 6Pin W=3.0  
 7-40Pin W=6.0



Recommended PCB Layout

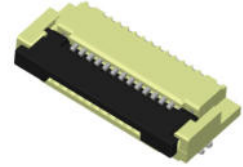


Accommodated FFC/FPC  
 (Thickness: 0.3±0.03)

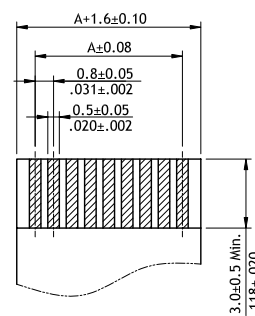
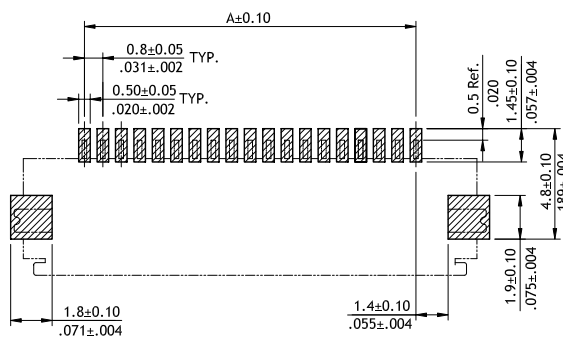
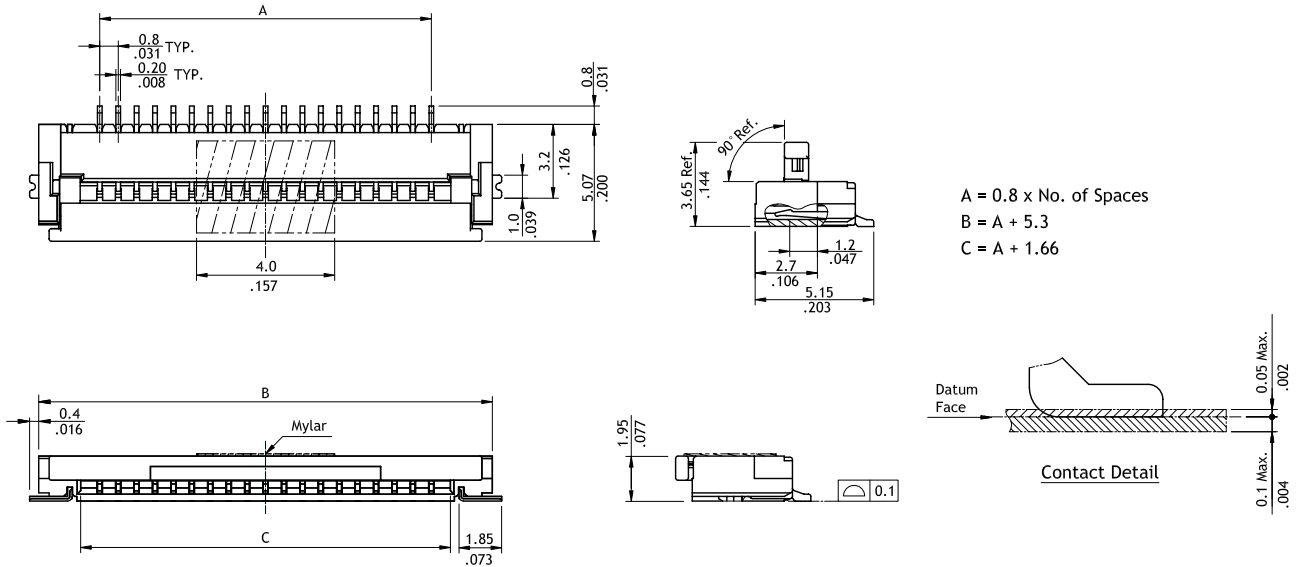
Ordering Code	①	②	③	④	⑤	⑥	⑦	⑧
	CF	32	1	D	0	R	0	-NH
① Series No.								
② No. of Circuits: 04 ~ 40 (Available: 30,32) *Circuits not found above please consult manufacturer*								
③ Plating Code: 1 = Matte Tin over Nickel 2 = Gold flash over Nickel								
④ Contact Style: D = Downside contact								
⑤ Color: 0 = Nature								
⑥ Packing: R = Tape & Reel								
⑦ Other Options: 0 = Without Mylar (Standard) M = With Mylar								
⑧ NH = For Lead Free IR process and Halogen-Free								

CF37 Series 0.80mm(.031")H=1.95 SMT ZIF One-Touch FFC/FPC Connectors

- ⊙ 1.95mm above the board
- ⊙ FFC/FPC zero insertion force and high retention force
- ⊙ Insulation: High temperature plastic UL 94V-0, Color Nature
- ⊙ Cover: High temperature plastic UL 94V-0, Color Black
- ⊙ Actuator designed easy for FFC/FPC installation and reliable operation
- ⊙ With metal fixed tabs to secure connector in place



RoHS Compliant



Ordering Code

① ② ③ ④ ⑤ ⑥ ⑦ ⑧  
**CF 3 7 3 4 2 D 0 R 0 - NH**

① Series No.

② No. of Circuits: 04 ~ 40  
(Available: 26,34)

\*Circuits not found above  
please consult manufacturer\*

③ Plating Code:

- 1 = Matte Tin over Nickel
- 2 = Gold flash over Nickel

④ Contact Style:

D = Downside contact

⑤ Color: 0 = Nature

⑥ Packing: R = Tape & Reel

⑦ Other Options:

0 = Without Mylar (Standard)  
M = With Mylar

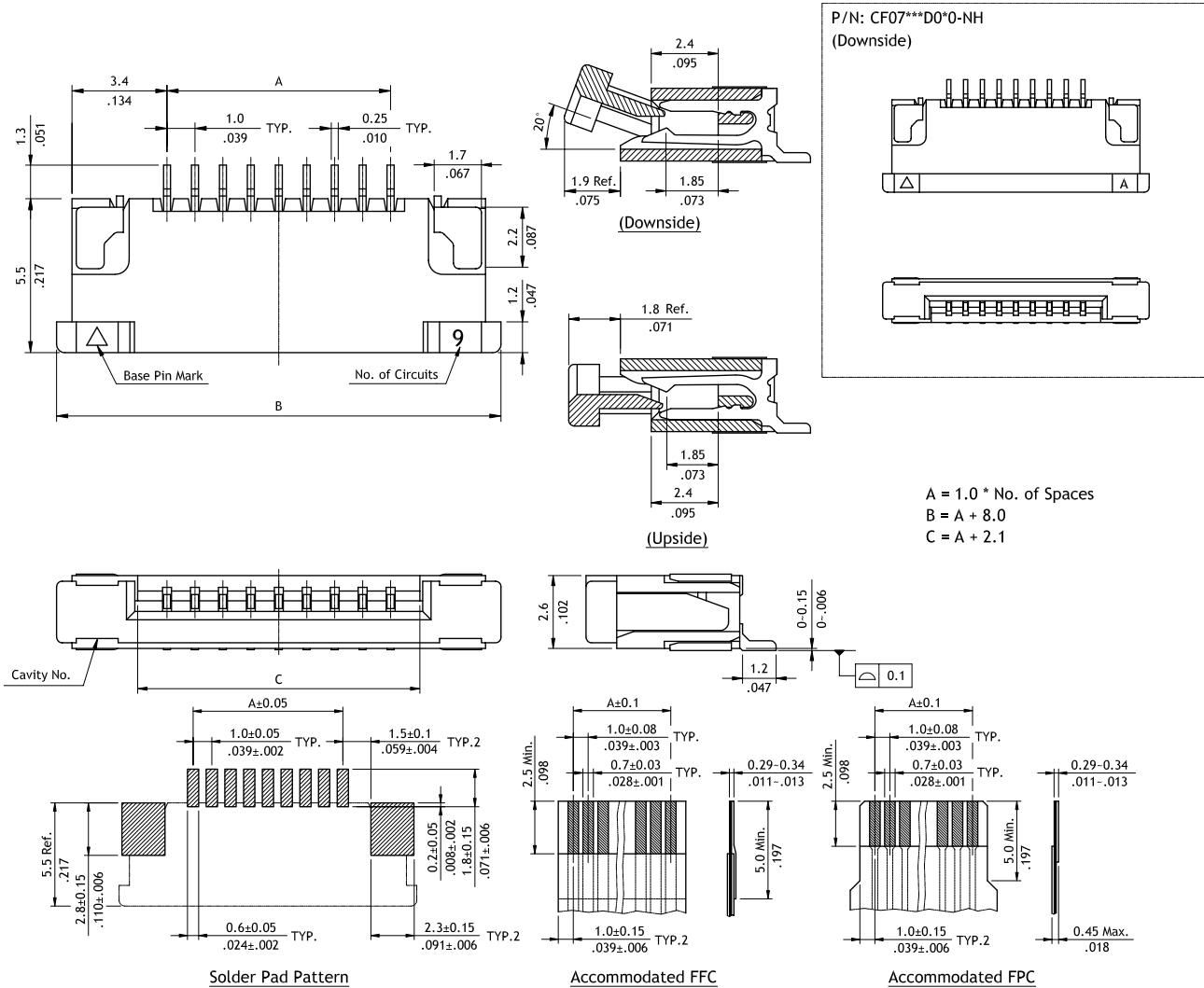
⑧ NH = For Lead Free IR process  
and Halogen-Free

**CF07 Series 1.00mm(.039") H=2.6 SMT ZIF FFC/FPC Connectors**

- ⊙ Insulator: High temperature plastic UL 94V-0, Color Nature
- ⊙ Cover : High temperature plastic UL 94V-0, Color Black
- ⊙ With metal fixed tabs to secure connector in place



RoHS Compliant



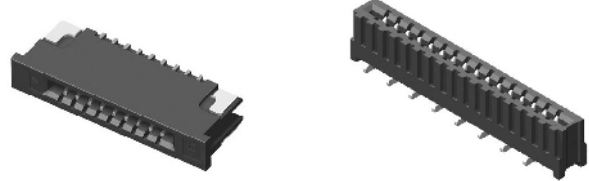
**Ordering Code**

① ② ③ ④ ⑤ ⑥ ⑦ ⑧  
**CF07301D0R0-NH**

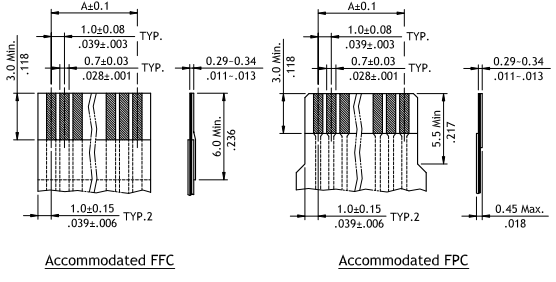
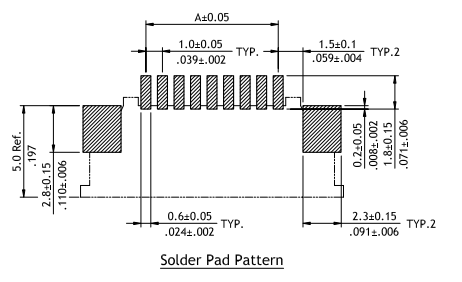
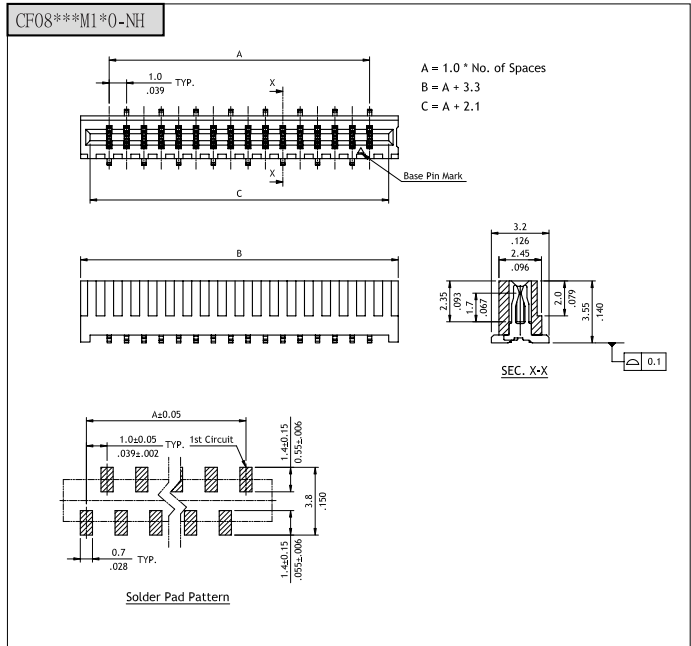
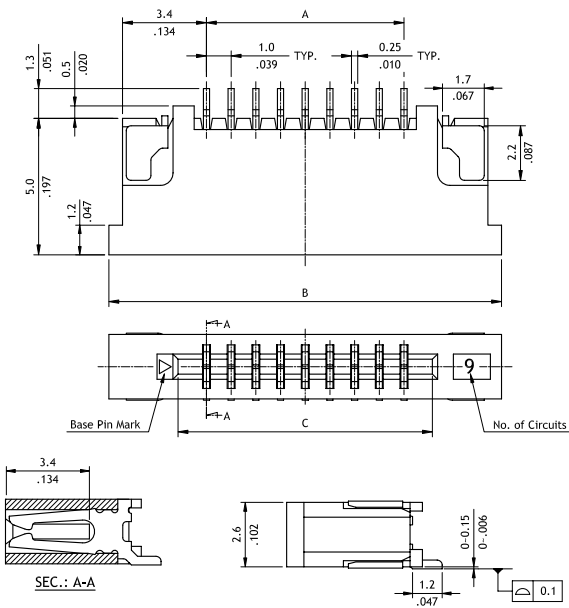
- |  |   |   |
|--|---|---|
| <ul style="list-style-type: none"> <li>① Series No.</li> <li>② No. of Circuits: 04 ~ 32</li> <li>③ Plating Code:<br/>1 = Matte Tin over Nickel<br/>2 = Gold flash over Nickel</li> </ul> | <ul style="list-style-type: none"> <li>④ Contact style :<br/>D = Downside contact<br/>U = Upside contact</li> <li>⑤ Color : 0 = Nature</li> </ul> | <ul style="list-style-type: none"> <li>⑥ Packing : R = Tape &amp; Reel</li> <li>⑦ Options: 0 = Standard</li> <li>⑧ NH = For Lead Free soldering process and Halogen-Free</li> </ul> |
|--|---|---|

CF08 Series 1.00mm(.039")H=2.60/3.55 SMT LIF & SMT LIF Vertical FFC/FPC

- ⊙ Tin over copper alloy dual contacts
- ⊙ Insulator: High temperature plastic UL 94V-0
- ⊙ With metal fixed tabs to secure connector in place



A = 1.0 \* No. of Spaces  
 B = A + 8.0  
 C = A + 2.1



Ordering Code

① ② ③ ④ ⑤ ⑥ ⑦ ⑧  
**CF08 321 H 2 R 0 - NH**

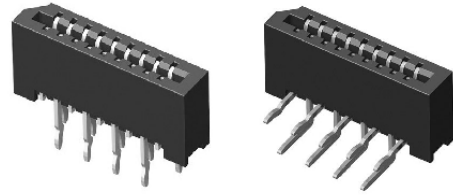
- ① Series No.
- ② No. of Circuits: 04 ~ 32
- ③ Plating Code:  
1 = Matte Tin over Nickel

- ④ Contact Style:  
H = SMT Side Entry  
M = SMT Top Entry
- ⑤ Color: 1 = Black (Top Entry)  
2 = Brown (Side Entry)
- ⑥ Packing: R = Tape & Reel  
T = Tube

- ⑦ Other Options: 0 = Standard  
\*Special options consult manufacturer
- ⑧ NH = For Lead Free IR process and Halogen-Free

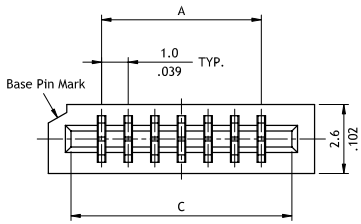
**CF09 Series 1.00mm(.039")H=2.60/5.50 DIP LIF FFC/FPC Connectors**

- ⊙ Tin over copper alloy dual contacts
- ⊙ Insulator: High temperature plastic UL 94V-0
- ⊙ Low Insertion Force

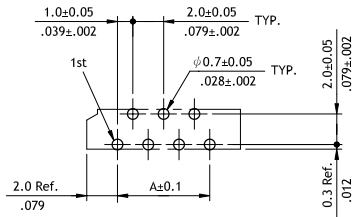
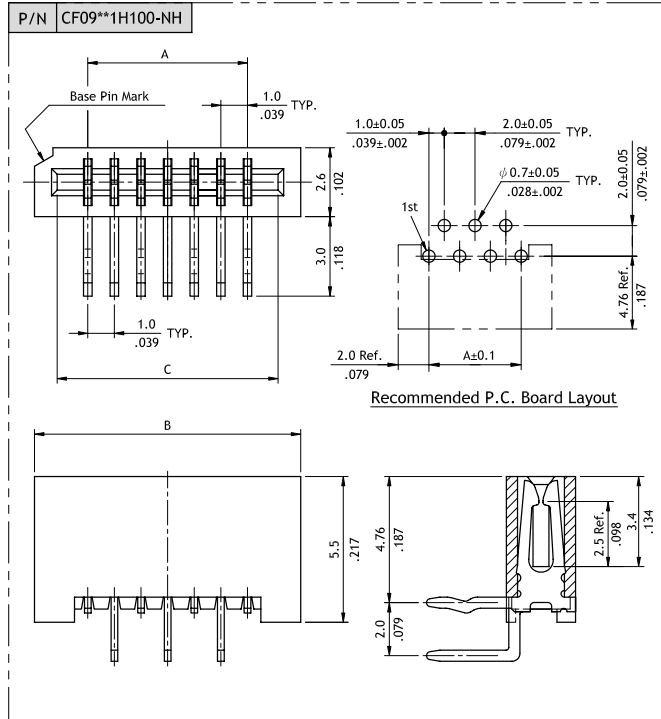
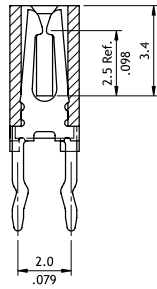
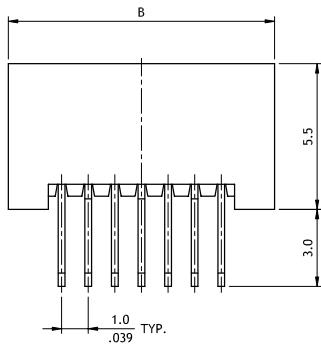


RoHS Compliant

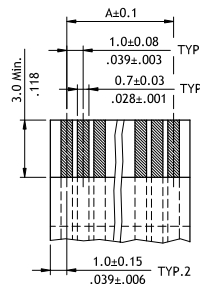
P/N CF09\*\*1V100-NH



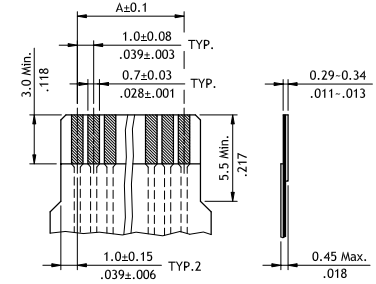
A = 1.0 \* No. of Spaces  
 B = A + 4.0  
 C = A + 2.1



Recommended P.C. Board Layout



Accommodated FFC



Accommodated FPC

**Ordering Code**

① ② ③ ④ ⑤ ⑥ ⑦  
**CF09 32 1 H 1 00 - NH**

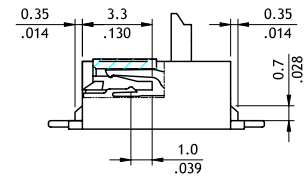
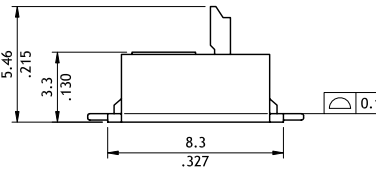
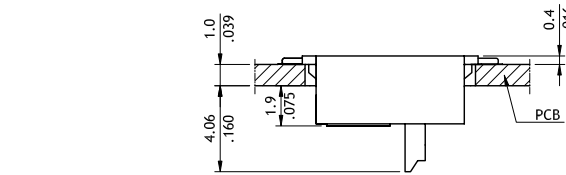
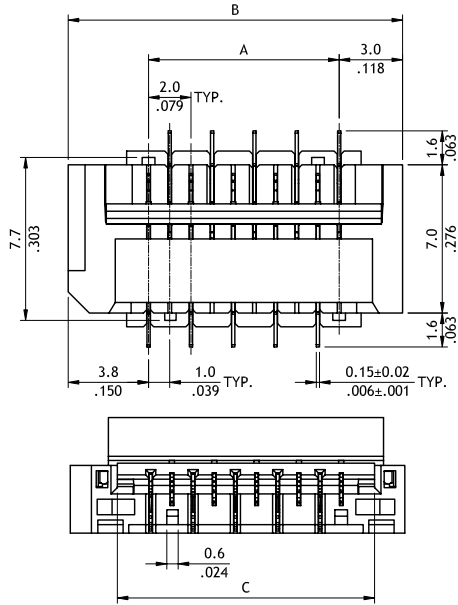
- ① Series No.
- ② No. of Circuits: 04~ 32
- ③ Plating Code:  
1 = Matte Tin over Nickel
- ④ Contact Style:  
V = Top Entry  
H = Side Entry
- ⑤ Color: 1 = Black
- ⑥ Other Options: 00 = Standard  
\*Special options consult manufacturer
- ⑦ NH = For Lead Free Soldering process and Halogen-Free

CF73 Series 1.00mm(.039") H=3.30 SMT ZIF One-Touch FFC/FPC Connectors

- ⊙ FFC/FPC zero insertion force and high retention force
- ⊙ Insulator : High temperature plastic UL 94V-0, Color Black
- ⊙ Cover : High temperature plastic UL 94V-0, Color Nature
- ⊙ Actuator designed easy for FPC installation and reliable operation

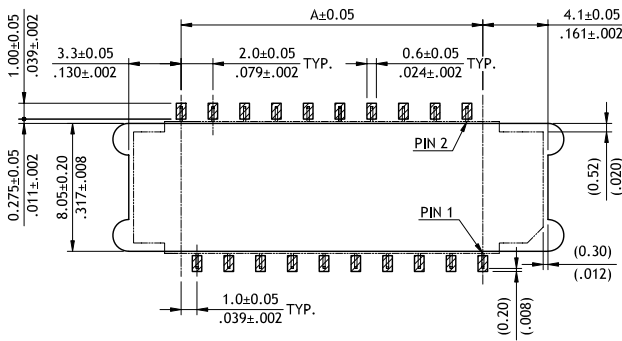


RoHS Compliant

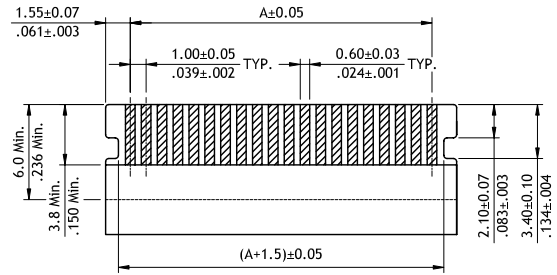


DIM.A = 1.0 x No. of Spaces + 6.8  
 DIM.B = DIM.A + 6.8  
 DIM.C = DIM.A + 3.15

Length to Contact Point



Recommended P.C. Board Layout



Accommodated FFC/FPC Thickness = 0.30±0.03mm

Ordering Code

① ② ③ ④ ⑤ ⑥ ⑦ ⑧  
**CF73 10 1 B 1 R0 - 10 - NH**

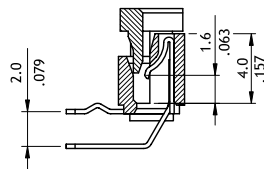
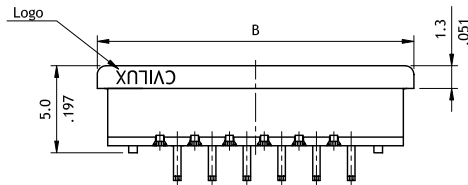
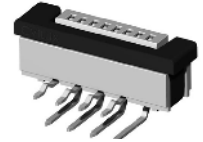
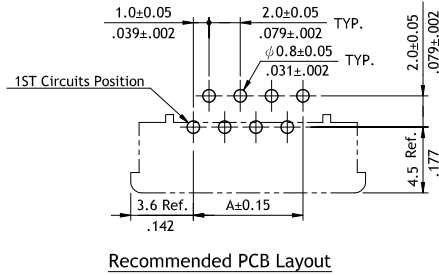
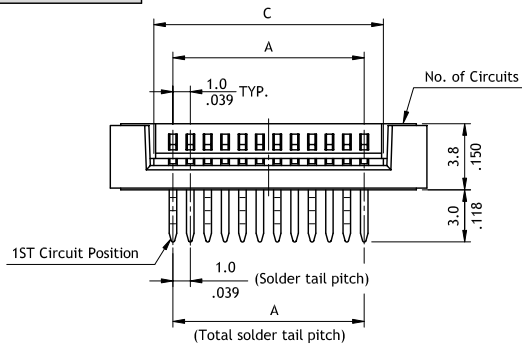
- ① Series No.
- ② No. of Circuits: 10
- ③ Plating Code:  
 F = Gold flash over Nickel  
 1 = Matte Tin over Nickel
- ④ Type : B = Middle Mount Type
- ⑤ Color: 1 = Black
- ⑥ Packing: R0 = Reel packing
- ⑦ Pitch = 1.00 mm
- ⑧ NH = For Lead Free soldering process and Halogen-Free

CF10 Series 1.00mm(.039")H=3.80/5.00 DIP ZIF FFC/FPC Connectors

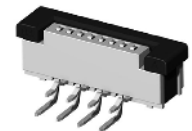
- Tin contacts with kinked tail
- Insulator: High temperature plastic UL 94V-0, Color Nature
- Slider: High temperature plastic UL 94V-0, Color Brown / Black

RoHS Compliant

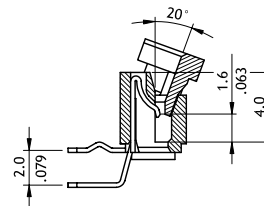
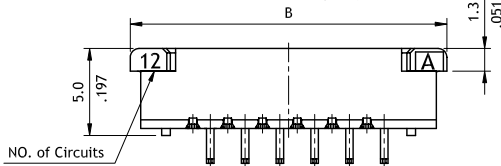
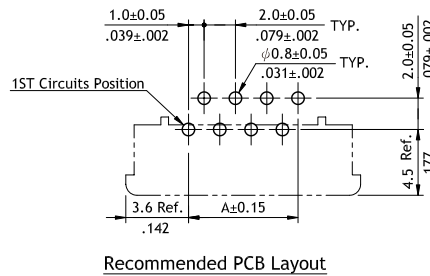
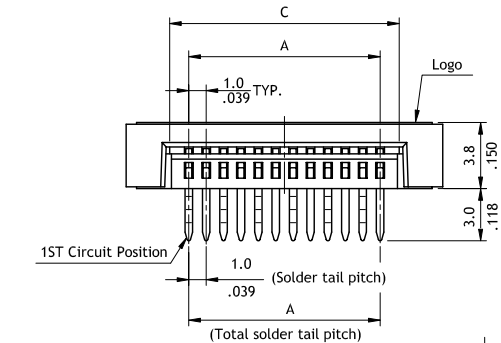
P/N CF10\*\*1U0T0-NH



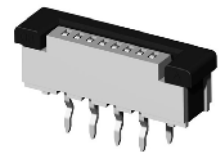
A = 1.0 x No. of Spaces  
 B = A + 7.2  
 C = A + 2.1



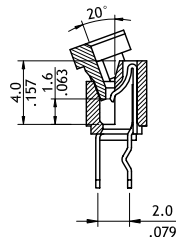
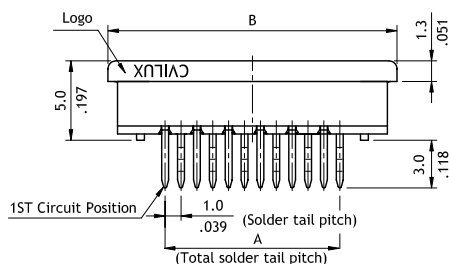
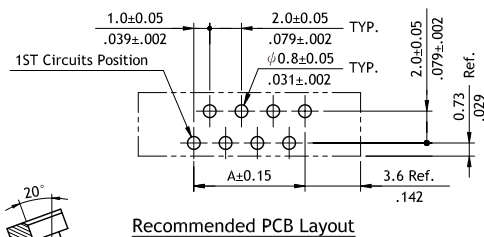
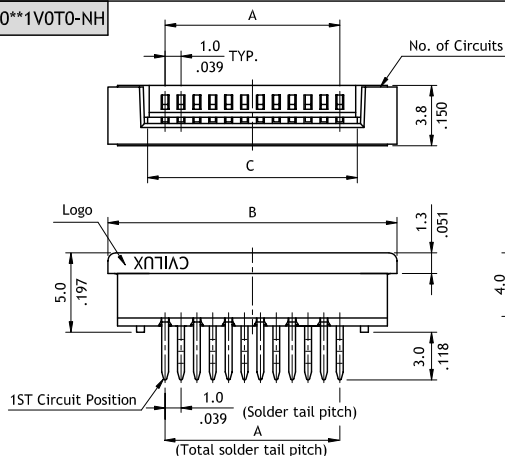
P/N CF10\*\*1D0T0-NH



A = 1.0 x No. of Spaces  
 B = A + 7.2  
 C = A + 2.1



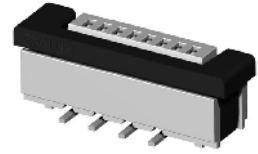
P/N CF10\*\*1V0T0-NH



A = 1.0 x No. of Spaces  
 B = A + 7.2  
 C = A + 2.1

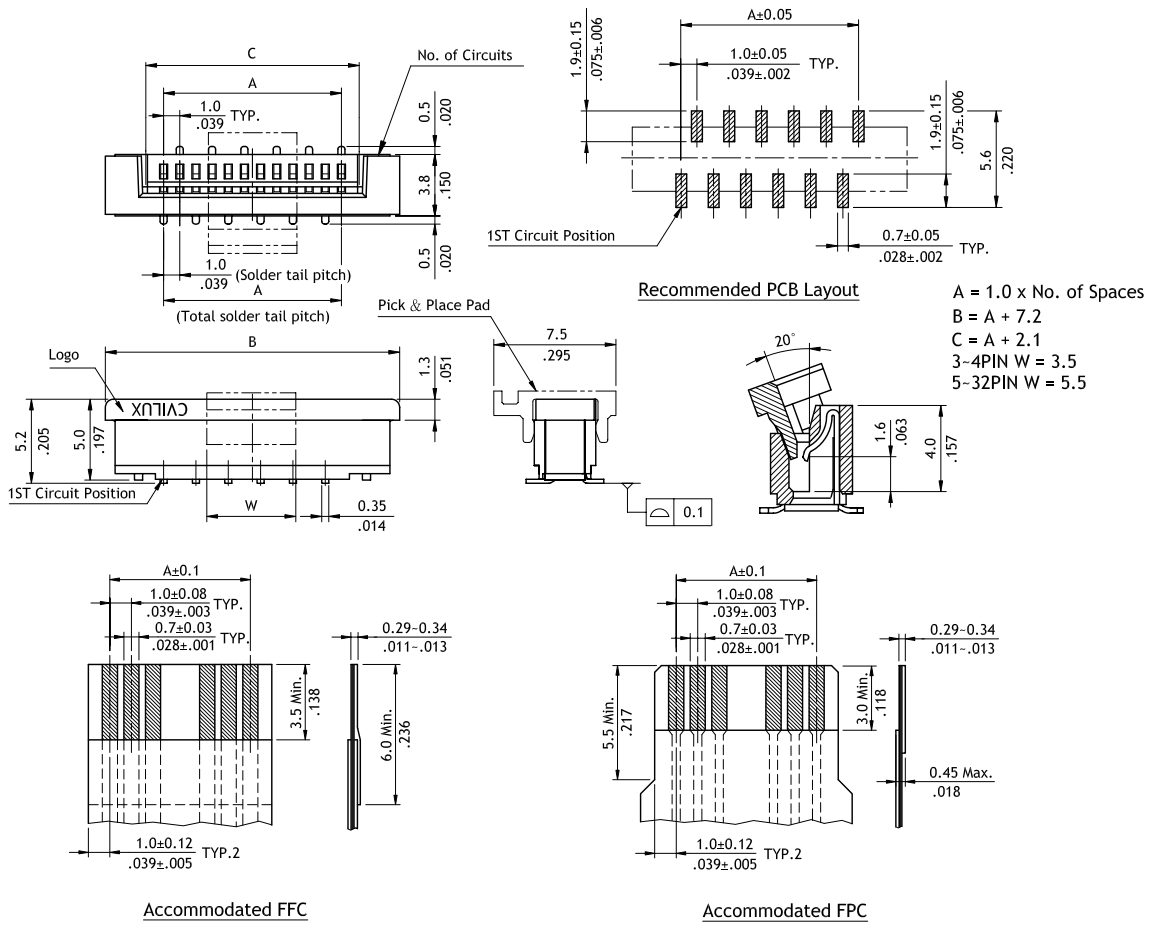
CF10 Series 1.00mm(.039")H=5.20 SMT ZIF FFC/FPC Connectors

- ⊙ Insulator: High temperature plastic UL 94V-0, Color Nature
- ⊙ Slider: High temperature plastic UL 94V-0, Color Black



RoHS Compliant

P/N CF10\*\*1M0\*0-\*\*



Ordering Code

① ② ③ ④ ⑤ ⑥ ⑦ ⑧  
**CF 10 3 2 1 V 0 T 0 - NH**

- ① Series No.
- ② No. of Circuits: 04 ~32
- ③ Plating Code:  
1 = Matte Tin over Nickel

- ④ Contact Style:  
U = Upside Contact (DIP)  
D = Downside Contact (DIP)  
V = Vertical Type (DIP)  
M = Top entry Type (SMT)
- ⑤ Color: 0 = Nature

- ⑥ Packing: R = Tape & Reel  
T = Tube
- ⑦ Other Options: 0 = Standard
- ⑧ NH = For Lead Free IR process and Halogen-Free

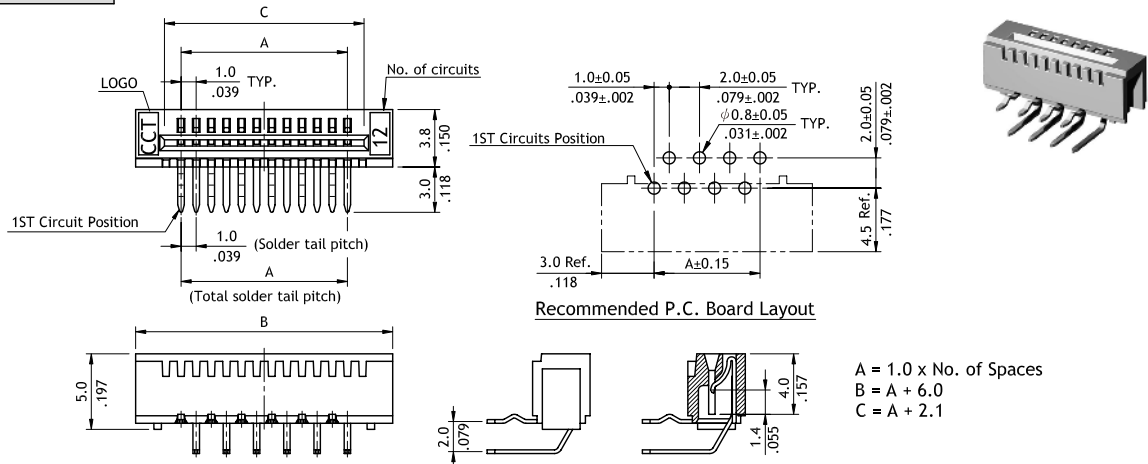


CF16 Series 1.00mm(.039")H=3.80/5.00 DIP LIF FFC/FPC Connectors

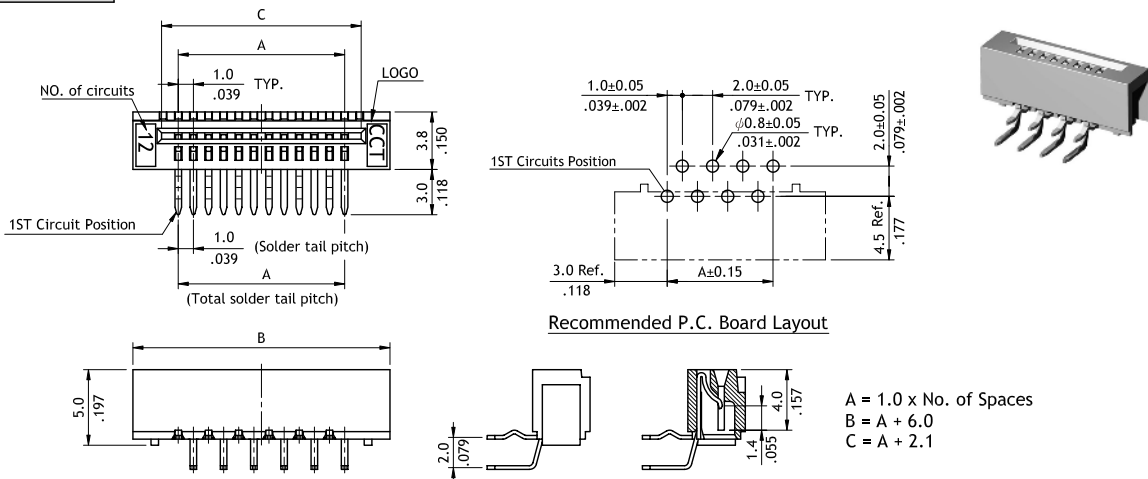
- ⊙ Tinned contacts with kinked tail
- ⊙ Insulator: High temperature plastic UL 94V-0

RoHS Compliant

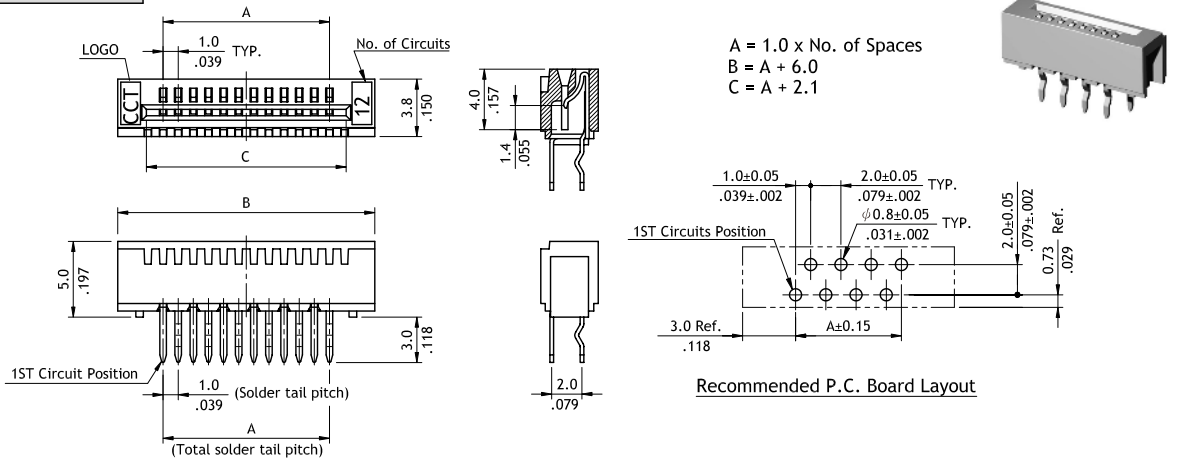
P/N CF16\*\*1U0T0-NH



P/N CF16\*\*1D0T0-NH

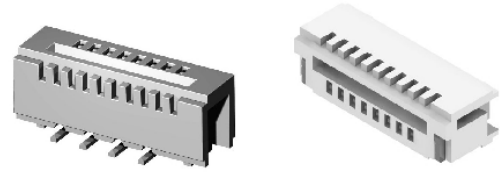


P/N CF16\*\*1V0T0-NH



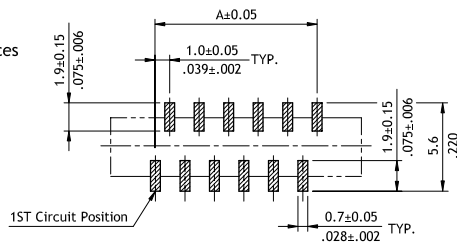
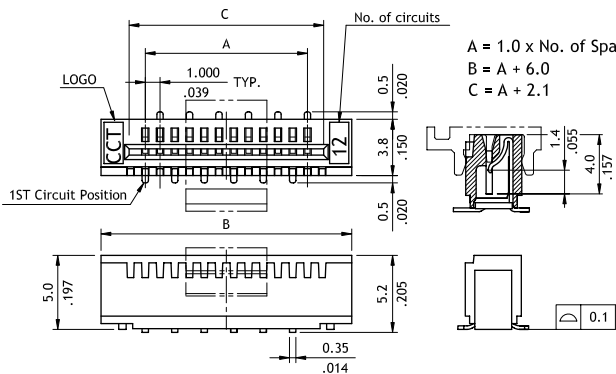
CF16 Series 1.00mm(.039")H=3.80/5.20 SMT LIF FFC/FPC Connectors

- ⊙ Insulator: High temperature plastic UL 94V-0, Color Nature
- ⊙ With metal fixed tabs to secure connector in place

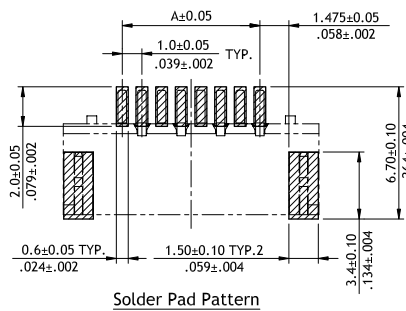
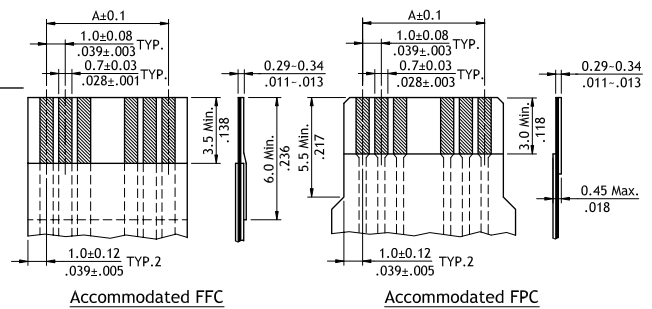
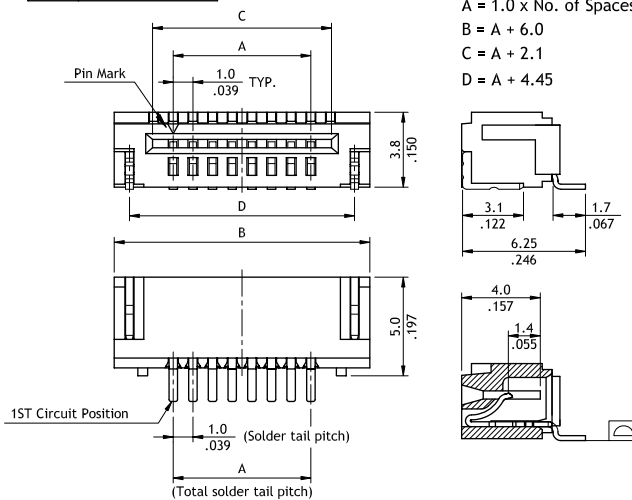


RoHS Compliant

P/N CF16\*\*1M0\*0-NH



P/N CF16\*\*1S0\*0-NH



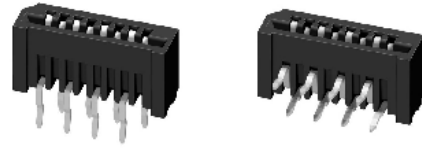
Ordering Code

① ② ③ ④ ⑤ ⑥ ⑦ ⑧  
**CF 16 3 2 1 V 0 T 0 - NH**

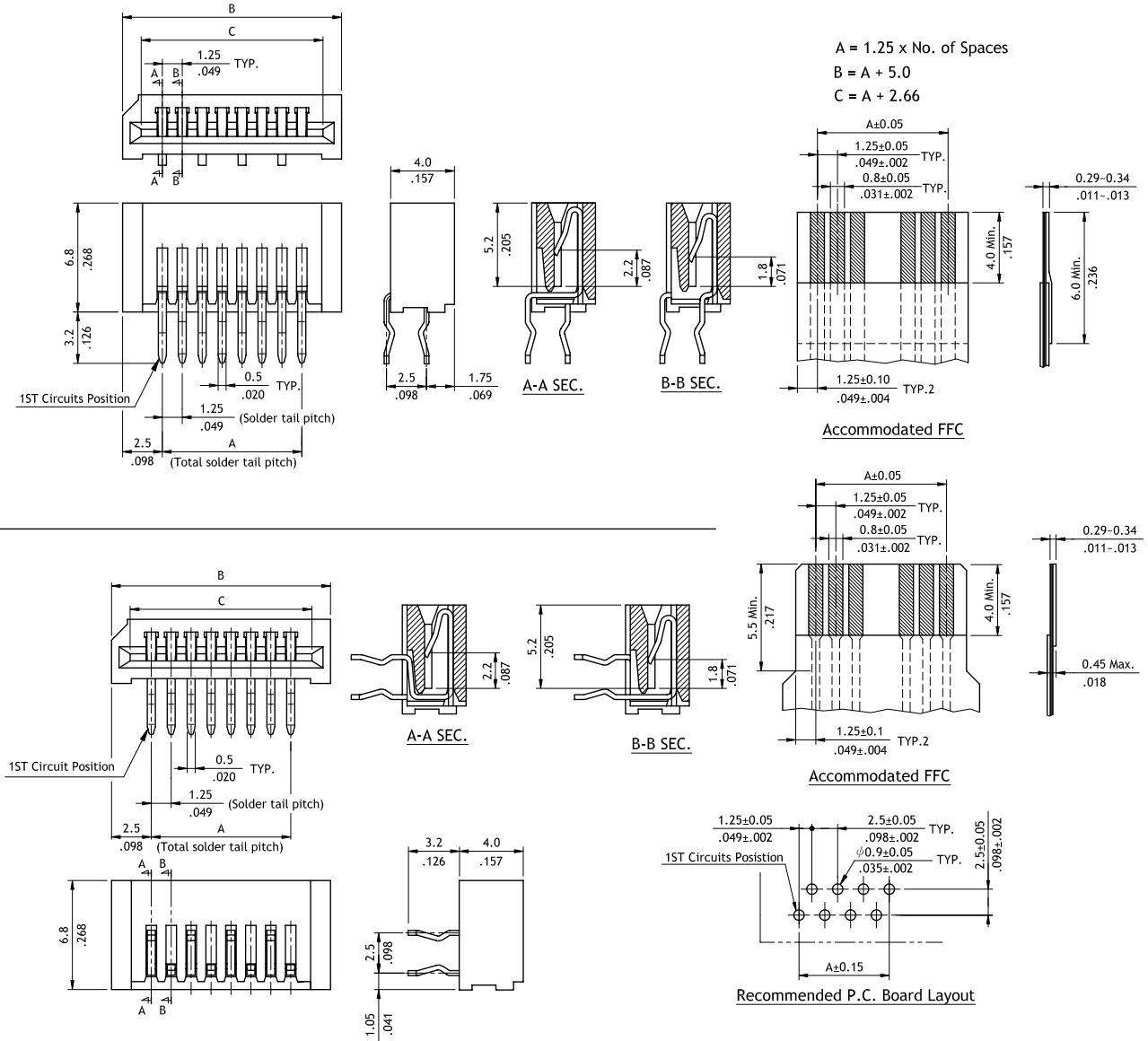
- ① Series No.
- ② No. of Circuits: 03 ~ 32
- ③ Plating Code:  
1 = Matte Tin over Nickel
- ④ Contact Style: U = Upside Contact (DIP)  
D = Downside Contact (DIP)  
V = Vertical Type (DIP)  
M = Top entry Type (SMT)  
S = Side entry Type (SMT)
- ⑤ Color: 0 = Nature
- ⑥ Packing:  
T = Tube packing without Pad (DIP or SMT)  
R = Reel packing (SMT)
- ⑦ Other Options: 0 = Standard  
\*Special options consult manufacturer
- ⑧ NH = For Lead Free soldering process and Halogen-Free

CF12 Series 1.25mm(.049")H=4.00/6.80 DIP LIF FFC/FPC Connectors

- ⊙ Tin plated contacts with kinked tail
- ⊙ Insulator: High temperature plastic UL 94V-0, Color Black



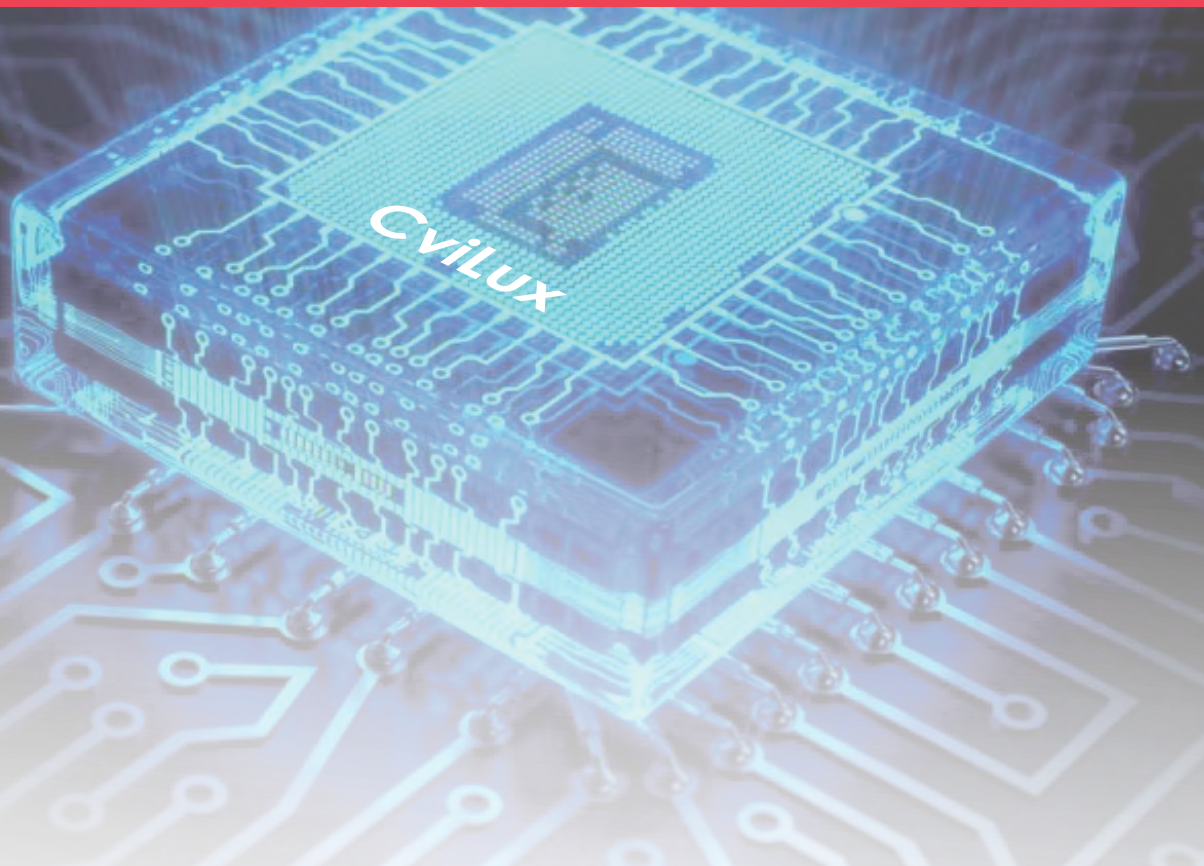
RoHS Compliant



Ordering Code

① ② ③ ④ ⑤ ⑥ ⑦  
**CF 1 2 3 6 1 V 0 T 0 - NH**

- ① Series No.
- ② No. of Circuits: 03 ~ 36
- ③ Plating Code:  
1 = Matte Tin over Nickel
- ④ Entry Options:  
V0 = Straight  
H0 = Right Angle
- ⑤ Packing : T = Tube
- ⑥ Other Options: 0 = Standard  
\*Special options consult manufacturer
- ⑦ NH = For Lead Free soldering process and Halogen-Free



## **CVILUX PATENT, CERTIFICATE, AWARD**

CviLux R&D strength means maximizing our patents, awards and international standard of QC and certificates. We challenge our worldwide granted and pending patents listed as follows (- Oct., 2021) :

- Taiwan : 157 patents granted and pending
- China : 116 patents granted and pending
- USA : 10 patents granted and pending
- Japan : 3 patents granted and pending



CviLux Technology  
(Suzhou) Co., Ltd.



Anhui CviLux Technology  
Co., Ltd.



CviLux Lao Co., Ltd.

## Marketing Site

CviLux Corporation  
 CviLux Technology (Shenzhen) Corporation  
 CviLux USA Corporation  
 CviLux Opro9 Europe B.V.  
 CviLux SDN BHD  
 CviLux JAPAN Office  
 CviLux KOREA Corporation  
 CviLux QINGDAO Office  
 CviLux XIAMEN Office  
 Allsor Technology Corporation  
 Allsor Electronics Co., Ltd.  
 CviCloud Corporation  
 CviCloud (SZ) Limited

## Factory Site

Taiwan  
 CviLux Corporation  
 South China  
 CviLux Electronics (Dongguan)Co., Ltd.  
 Dongguan Qunhan Electronics Co., Ltd.  
 East China  
 CviLux Technology (Suzhou) Co., Ltd.  
 West China  
 CviLux Technology (Chongqing) Co., Ltd.  
 Central China  
 Anhui CviLux Technology Co., Ltd.  
 Lao  
 CviLux Lao Co., Ltd.



Taiwan      South China (Dongguan)      South China (Qunhan)      East China      West China      Central China      Lao

