



Below QR-code is linked to our web site <https://www.amphenol-industrial.de/en>.



**CE EAC**



# Industrial plugs and sockets

The complete product range



- Durable in tough conditions and environments
- Reliable thanks to high quality contacts
- Cost-saving, designed for quick and easy installation

---

# Table of contents

<b>004–007</b>	<b>Introduction Industrial plugs and sockets</b>
<b>008</b>	<b>Easy &amp; Safe</b>
<b>011</b>	<b>Plugs IP44</b>
<b>012–013</b>	<b>Connectors IP44</b>
<b>014–017</b>	<b>Inlets IP44</b>
<b>018–030</b>	<b>Outlets IP44</b>
<b>032–033</b>	<b>Plugs IP67</b>
<b>034–035</b>	<b>Connectors IP67</b>
<b>036–039</b>	<b>Inlets IP67</b>
<b>040–046</b>	<b>Outlets IP67</b>
<b>047</b>	<b>Phase inverter</b>
	<b>For entertainment applications</b>
<b>048–055</b>	<b>Plugs and sockets in black</b>
<b>056</b>	<b>Critical &amp; Safe</b>
<b>058 - 075</b>	<b>Switched interlock socket outlet</b>
<b>076 - 077</b>	<b>Surface socket outlets</b>
<b>078</b>	<b>Accessories</b>
<b>080</b>	<b>Tough &amp; Safe</b>
<b>082–086</b>	<b>Plugs</b>
<b>087–091</b>	<b>Connectors</b>
<b>092–099</b>	<b>Surface socket outlets</b>
<b>100–104</b>	<b>Surface inlets</b>
<b>105–112</b>	<b>Panel mounted socket outlets</b>
<b>113–117</b>	<b>Panel mounted socket inlets</b>
<b>118–119</b>	<b>Accessories and spare parts</b>
<b>120–131</b>	<b>Modular Combi</b>
<b>132–137</b>	<b>Extra low voltage</b>

<b>138</b>	Hight current connectors
<b>138</b>	<b>Product portfolio</b>
<b>139</b>	<b>Introduction High current connectors</b>
<b>140</b>	C-line
<b>141</b>	<b>Plugs</b>
<b>142</b>	<b>Sockets</b>
<b>143</b>	<b>Inlets for wall mounting</b>
<b>144–145</b>	<b>Inlets for panel mounting</b>
<b>146–147</b>	<b>Socket outlet for wall mounting</b>
<b>148</b>	<b>Socket outlets for panel mounting</b>
<b>149</b>	B-line
<b>150</b>	<b>Plugs</b>
<b>151</b>	<b>Sockets</b>
<b>152</b>	<b>Inlets for wall mounting</b>
<b>153–154</b>	<b>Inlets for panel mounting</b>
<b>155–156</b>	<b>Socket outlet for wall mounting</b>
<b>157</b>	<b>Socket outlets for panel mounting</b>
<b>158</b>	Connector unit
<b>159–160</b>	<b>with mechanical interlock</b>
<b>161–162</b>	<b>with block contactor</b>
<b>163–164</b>	<b>with circuit breaker</b>



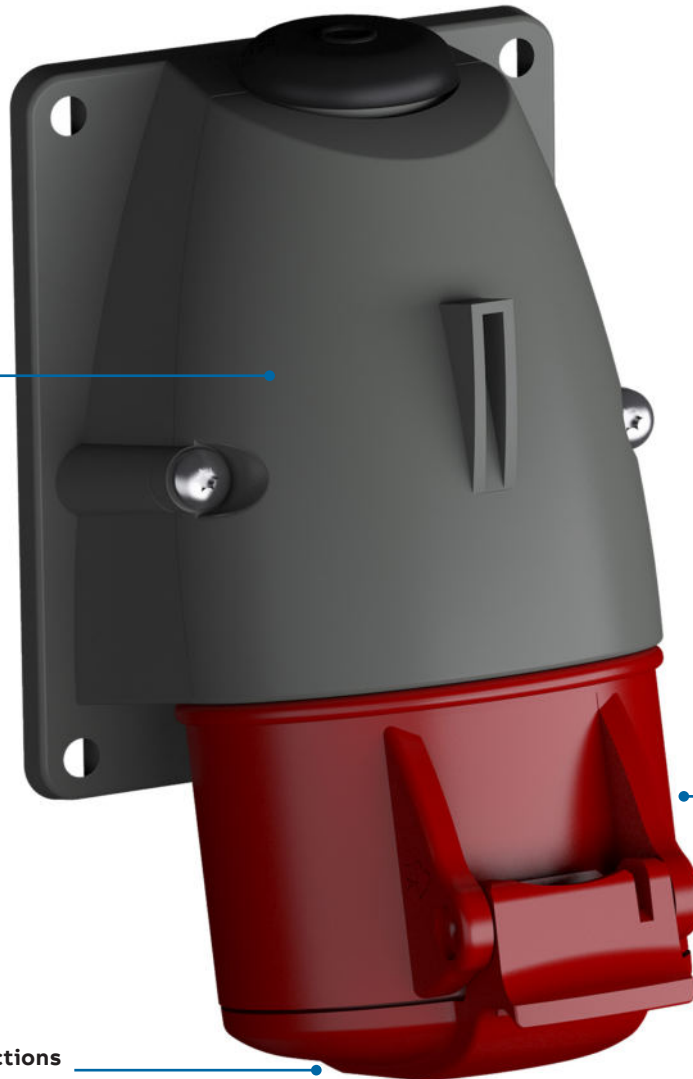
# Industrial plugs and sockets

Reliable, durable and safe.

Perfect for your application

These products are used for connection of equipment in all kind of applications where it needs to be possible to connect and disconnect. Amphenol industrial plugs and sockets are chosen when safety, reliability and durability is requested.

**Durable equipment prevents time and cost lost due to maintenance.**



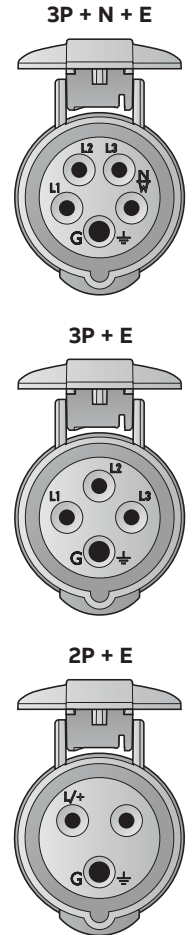
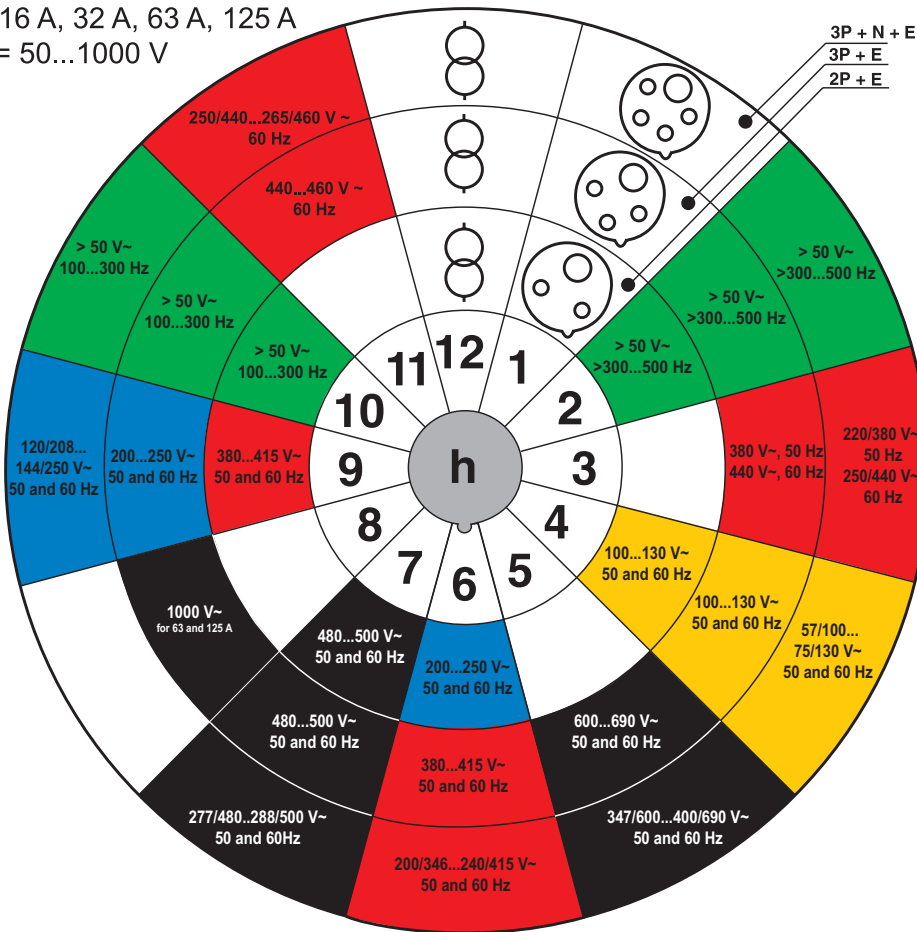
**Reliable contacts prevent stops and power breaks, which leads to increased productivity.**

**Safe connections prevent accidents.**

# Industrial plugs and sockets

## IEC 60309-2 “clock”

$I_e = 16\text{ A}, 32\text{ A}, 63\text{ A}, 125\text{ A}$   
 $U_e = 50\text{...}1000\text{ V}$



Standard voltages - Color codes according to IEC60309-1, -2

Position of earthing sleeve according to IEC 60309-2 (clock)	2P+E	3P+E	3P+N+E
1	<input type="checkbox"/> Optional voltage (not stated below)	<input type="checkbox"/> Optional voltage (not stated below)	<input type="checkbox"/> Optional voltage (not stated below)
2	<span style="color: green;">■</span> > 50 V~ >300...500 Hz	<span style="color: green;">■</span> > 50 V~ >300...500 Hz	<span style="color: green;">■</span> > 50 V~ >300...500 Hz
3	<input type="checkbox"/> Not used	<span style="color: red;">■</span> 380 V~ 50 Hz, 440 V 60 Hz	<span style="color: red;">■</span> 220/380 V~ 50 Hz, 250/440 V 60 Hz
4	<span style="color: yellow;">■</span> 100...130 V~ 50 and 60 Hz	<span style="color: yellow;">■</span> 100...130 V~ 50 and 60 Hz	<span style="color: yellow;">■</span> 57/100...75/130 V~ 50 and 60 Hz
5	<input type="checkbox"/> Not used	<span style="color: black;">■</span> 600...690 V~ 50 and 60 Hz	<span style="color: black;">■</span> 347/600...400/690 V~ 50 and 60 Hz
6	<span style="color: blue;">■</span> 200...250 V~ 50 and 60 Hz	<span style="color: red;">■</span> 380...415 V~ 50 and 60 Hz	<span style="color: red;">■</span> 200/346...240/415 V~ 50 and 60 Hz
7	<span style="color: black;">■</span> 480...500 V~ 50 and 60 Hz	<span style="color: black;">■</span> 480...500 V~ 50 and 60 Hz	<span style="color: black;">■</span> 277/480...288/500 V~ 50 and 60 Hz
8	<input type="checkbox"/> Not used	<span style="color: black;">■</span> 1000 V~ (for 63 A and 125 A)	<input type="checkbox"/> Not used
9	<span style="color: red;">■</span> 380...415 V~ 50 and 60 Hz	<span style="color: blue;">■</span> 200...250 V~ 50 and 60 Hz	<span style="color: blue;">■</span> 120/208...144/250 V~ 50 and 60 Hz
10	<span style="color: green;">■</span> > 50 V~ 100...300 Hz	<span style="color: green;">■</span> > 50 V~ 100...300 Hz	<span style="color: green;">■</span> > 50 V~100...300 Hz
11 Mainly for marine installations	<input type="checkbox"/> Not used	<span style="color: red;">■</span> 440...460 V~ 60 Hz	<span style="color: red;">■</span> 250/440...265/460 V~ 60 Hz
12 Supply from isolating transformer	<input type="checkbox"/> Supply from isolating transformer	<input type="checkbox"/> Supply from isolating transformer	<input type="checkbox"/> Supply from isolating transformer

# Industrial plugs and sockets

## A perfect choice

Industrial plugs and sockets are a part of the comprehensive Amphenol program of high quality low voltage products for industries, buildings and OEM's.

These products have been manufactured for over 60 years.

Long experience of developing and manufacturing plugs and sockets within Amphenol has resulted in a wide product range of high quality and a robust ergonomic design. Covering products up to 125 A and 690 V, all tested and approved for IEC standards.

The design and material used have continuously been improved to meet the customer's requirements, and to take the environmental aspects into consideration.

Amphenol's industrial plugs and sockets have the solution for products in industrial environments with high demands on safety, durability, reliability and cost saving for the end user.

- Safety - tested and approved
- Durability - materials used give a high durability in tough conditions and environments.
- Reliability - high quality contacts ensure reliability.
- Cost saving - designed for quick and easy installation.

You will find all you need in Amphenol's industrial plugs and sockets product range. One supplier for all your needs and worldwide availability.

### Perfect performance

Amphenol's plugs and sockets comply with the high quality standards requested when there is a demand for reliability and safety. Some are made of heavy-duty plastics (PBT), others of metal. Some have advanced features while others have a straight forward functionality. Perfect for demanding customers.

### Perfect productivity

The reliability of our plugs and sockets will help you maintain high up-time in operations. No unscheduled or unwanted interruptions, allowing you a high degree of flexibility.

### Perfect safety

Safety is also very important. By choosing Amphenol's plugs and sockets you minimize the risk of short circuits. You also ensure maximum personal safety for anyone nearby or around your equipment.

### Perfect for the job

Different applications and environments require different products. To make your choice of products easier, we have categorized our range into four groups. All groups have however one feature in common - Safety



**CRITICAL  
& SAFE**

- Select Critical & Safe products for the highest safety in fixed installations.



**TOUGH  
& SAFE**

- Select Tough & Safe products for best performance in demanding and heavy-duty applications.



**EASY  
& SAFE**

- Select Easy & Safe products for adequate functionality and ergonomic design.



**FAST  
& SAFE**

- Select Fast & Safe products for the fastest installation.

The structure of our main catalog is based on these four groups. Look for the four different symbols to make your choice.

### Amphenol's industrial plugs and sockets – a complete offer

- Approved according to IEC 60 309-1, -2, -4
- Range from 16 A up to 125 A.
- IP44 (splashproof) and IP67 (watertight).
- All contacts are self cleaning and calibrated, to maintain the accurate contact pressure, quality and performance over time.
- Plugs and sockets for 63 A and 125 A have pins and sleeves carriers in glass fiber reinforced polyamide.
- For devices in the Critical & Safe and Tough & Safe range, all external screws are made of stainless steel.
- Clear terminal markings inside and at the front of the devices.
- Switched interlocked socket-outlets for vertical or horizontal mounting.

### Pilot contact

For optimum safety some 63A and 125A products are equipped with a pilot contact according to IEC 60 309-1 and -2.

Then the pilot pin and sleeve are shorter than the other connecting pins and sleeves. This means that the "pilot circuit" breaks before and connects after the main circuit. The maximum connection area is 4 mm<sup>2</sup>.





# Industrial plugs and sockets

## Easy & Safe

### Plugs



Type EP...  
16 A...32 A, IP44



Type EP...W  
16A...32 A, IP67



Type EC...  
16 A...32 A, IP44



Type EC...W  
16 A...32 A, IP67

### Inlets



For wall mounting, Type BS...  
16 A...32 A, IP44



For wall mounting, Type EBS...W  
16 A...32 A, IP67



For panel mounting with unified  
straight flange, Type ...BU...  
16 A...32 A, IP44



For panel mounting with unified  
straight flange, Type EBU...W  
16 A...32 A, IP67

### Socket outlet



For wall mounting, Type RS...  
16 A...32 A, IP44



For wall mounting, Type ERS...W  
16 A...32 A, IP67



For panel mounting with unified  
straight flange, Type RU...  
16 A...32 A, IP44



For panel mounting with unified  
angled flange, Type RAU...  
16 A...32 A, IP44



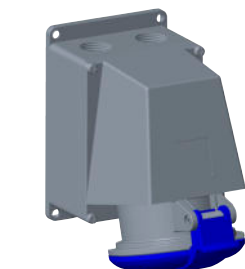
For panel mounting with minimized  
straight flange, Type R...  
16 A...32 A, IP44



For panel mounting with minimized  
angled flange, Type RAM...  
16 A...32 A, IP44



For panel mounting with unified  
angled flange, Type ERU...W  
16 A...32 A, IP67



For wall mounting, Type  
ERT, 16 ...63 A, IP44

# Industrial plugs and sockets

## Easy & Safe

Our new industrial plugs and sockets complements Amphenol's strong low-voltage offer. These plugs and sockets are part of Easy & Safe. Easy & Safe is a product range suitable for general use in most applications.

In most installations, industrial plugs and sockets are part of the exterior, for that reason it was important to have an attractive design. The modern design and the strong Amphenol brand add value to each installation or OEM equipment.

### Protect your contacts with new Easy & Safe IP67

The biggest addition in this series is the new designed products with IP67 ingress protection. IP67 is a protection class that guarantees water and dust tightness. Although water or dust rarely occurs in some applications, the liquids or dirt may get into the contacting surfaces during the products lifetime, which will affect the contacts performance. This in turn can lead to overheating, burnt contacts and need of replacing plugs and sockets.

Worst case scenario is that fluids or dust reaches the contact parts, which in turn can lead to accidents with injuries and damage the connected equipment.

Electrical contacts protected against liquids and dirt retains its performance over time. High contact performance means reliability, reducing downtime and lowers maintenance costs. Contact parts of Amphenol's connectors are manufactured with high precision from solid brass. The innovative design means that the contacts seem self-cleaning during connection and disconnection while keeping the contact area

free from arcing.

### Next generation of IP44 plugs and connectors

Some features of the new IP67 products are also implemented in the IP44 plugs and connectors. With the new cable gland we get improved sealing and strain relief, it also functions with a wider span of cables. We have also implemented the new family design of Amphenol Industrial plugs and sockets.

### Applications

New Easy & Safe series is an excellent choice in most applications where high reliability and safety are required. For example

- Data centers
- Industrial applications
- Food and beverage industries
- Infrastructure applications
- Construction sites
- Mines
- Marine applications connection of reefer containers

For tough applications with specific requirements for UV resistance, chemical resistance, mechanical resistance, our Tough & Safe series is still the best option.



# Plugs

IP44

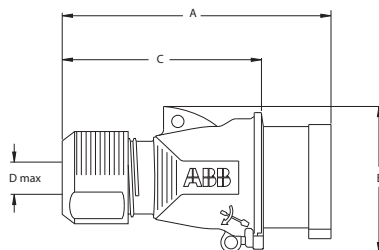


216EP6

## 16 A. Splashproof

Housing in plastic (PA). Cable entry with compression gland. Cable area 1...2.5 mm<sup>2</sup>

Terminals/ Poles	Color code	Voltage V	Frequency Hz	Type	Order Code	Pkg qty	Weight
							pkg (1pce) kg
<b>2P+E</b>							
3	Grey		AC	216EP1	2CMA101943R1000	10	0.11
	Green	> 50 V~	>300...500	216EP2	2CMA101944R1000		
	Yellow	100...130	50 and 60	216EP4	2CMA101946R1000		
	Blue	200...250		216EP6	2CMA101947R1000		
	Red	380...415		216EP9	2CMA101948R1000		
	Grey	transf		216EP12	2CMA101950R1000		
<b>3P+E</b>							
4	Grey		AC	316EP1	2CMA101951R1000	10	0.16
	Green	> 50 V~	>300...500	316EP2	2CMA101952R1000		
	Red	380/440	50/60	316EP3	2CMA101953R1000		
	Yellow	100...130	50 and 60	316EP4	2CMA101954R1000		
	Black	600...690		316EP5	2CMA101955R1000		
	Red	380...415		316EP6	2CMA101956R1000		
	Black	480...500		316EP7	2CMA101957R1000		
	Blue	200...250		316EP9	2CMA101958R1000		
	Green	100...300	>50	316EP10	2CMA101959R1000		
	Red	440...460	60	316EP11	2CMA101960R1000		
	Grey	transf	50 and 60	316EP12	2CMA101961R1000		
	<b>3P+N+E</b>						
5	Grey		AC	416EP1	2CMA101962R1000	10	0.18
	Green	> 50 V~	>300...500	416EP2	2CMA101963R1000		
	Red	380...440	50/60	416EP3	2CMA101964R1000		
	Yellow	100...130	50 and 60	416EP4	2CMA101965R1000		
	Black	600...690		416EP5	2CMA101966R1000		
	Red	346...415		416EP6	2CMA101967R1000		
	Black	480...500		416EP7	2CMA101968R1000		
	Blue	208...250		416EP9	2CMA101969R1000		
	Red	440...460	60	416EP11	2CMA101970R1000		



### Dimensions (mm)

Type	A	B	C	Dmax
216EP...	127	62.5	88.5	14
316EP...	144	74.5	106	17
416EP...	144	78	106	17



## Plugs

### IP44

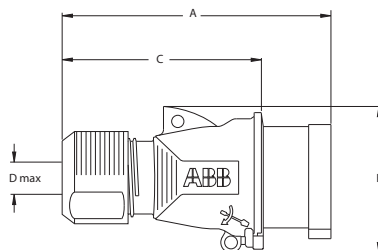


432EP6

#### 32 A. Splashproof

Housing in plastic (PA). Cable entry with compression gland. Cable area 2.5...6 mm<sup>2</sup>

Terminals/ Poles	Color code	Voltage V	Frequency Hz	Type	Order Code	Pkg qty	Weight
							pkg (1pce) kg
<b>2P+E</b>							
3	Grey		AC	232EP1	2CMA101971R1000	10	0.21
	Green	> 50 V~	>300...500	232EP2	2CMA101972R1000		
	Yellow	100...130	50 and 60	232EP4	2CMA101974R1000		
	Blue	200...250		232EP6	2CMA101975R1000		
	Red	380...415		232EP9	2CMA101976R1000		
	Grey	transf		232EP12	2CMA101978R1000		
<b>3P+E</b>							
4	Grey		AC	332EP1	2CMA101979R1000	10	0.23
	Green	> 50 V~	>300...500	332EP2	2CMA101980R1000		
	Red	380/440	50/60	332EP3	2CMA101981R1000		
	Yellow	100...130	50 and 60	332EP4	2CMA101982R1000		
	Black	600...690		332EP5	2CMA101983R1000		
	Red	380...415		332EP6	2CMA101984R1000		
	Black	480...500		332EP7	2CMA101985R1000		
	Blue	200...250		332EP9	2CMA101986R1000		
	Green	> 50 V~	100...300	332EP10	2CMA101987R1000		
	Red	440...460	60	332EP11	2CMA101988R1000		
	Grey	transf	50 and 60	332EP12	2CMA101989R1000		
	<b>3P+N+E</b>						
5	Grey		AC	432EP1	2CMA101990R1000	10	0.24
	Green	> 50 V~	>300...500	432EP2	2CMA101991R1000		
	Red	380...440	50/60	432EP3	2CMA101992R1000		
	Yellow	100...130	50 and 60	432EP4	2CMA101993R1000		
	Black	600...690		432EP5	2CMA101994R1000		
	Red	346...415		432EP6	2CMA101995R1000		
	Black	480...500		432EP7	2CMA101996R1000		
	Blue	208...250		432EP9	2CMA101997R1000		
	Red	440...460	60	432EP11	2CMA101998R1000		



#### Dimensions (mm)

Type	A	B	C	Dmax
232EP..	167	82.5	121	22
332EP..	167	82.5	121	22
432EP..	167	87.5	121	22

## Connectors

IP44

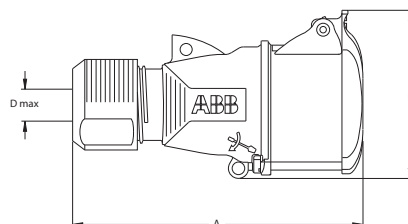


216EC6

### 16 A. Splashproof

Housing in plastic (PA). Cable entry with compression gland. Cable area 1...2.5 mm<sup>2</sup>

Terminals/ Poles	Color code	Voltage V	Frequency Hz	Type	Order Code	Pkg qty	Weight
							pkg (1pce) kg
<b>2P+E</b>							
3	Grey		AC	216EC1	2CMA101999R1000	10	0.16
	Green	> 50 V~	>300...500	216EC2	2CMA102000R1000		
	Yellow	100...130	50 and 60	216EC4	2CMA102002R1000		
	Blue	200...250		216EC6	2CMA102003R1000		
	Red	380...415		216EC9	2CMA102004R1000		
	Grey	transf		216EC12	2CMA102006R1000		
<b>3P+E</b>							
4	Grey		AC	316EC1	2CMA102007R1000	10	0.21
	Green	> 50 V~	>300...500	316EC2	2CMA102008R1000		
	Red	380/440	50/60	316EC3	2CMA102009R1000		
	Yellow	100...130	50 and 60	316EC4	2CMA102010R1000		
	Black	600...690		316EC5	2CMA102011R1000		
	Red	380...415		316EC6	2CMA102012R1000		
	Black	480...500		316EC7	2CMA102013R1000		
	Blue	200...250		316EC9	2CMA102014R1000		
	Green	> 50 V~	100...300	316EC10	2CMA102015R1000		
	Red	440...460	60	316EC11	2CMA102016R1000		
	Grey	transf	50 and 60	316EC12	2CMA102017R1000		
	<b>3P+N+E</b>						
5	Grey		AC	416EC1	2CMA102018R1000	10	0.23
	Green	> 50 V~	>300...500	416EC2	2CMA102019R1000		
	Red	380...440	50/60	416EC3	2CMA102020R1000		
	Yellow	100...130	50 and 60	416EC4	2CMA102021R1000		
	Black	600...690		416EC5	2CMA102022R1000		
	Red	346...415		416EC6	2CMA102023R1000		
	Black	480...500		416EC7	2CMA102024R1000		
	Blue	208...250		416EC9	2CMA102025R1000		
	Red	440...460	60	416EC11	2CMA102026R1000		



### Dimensions (mm)

Type	A	B	Dmax
216EC...	135.5	74.5	14
316EC...	155	87	17
416EC...	156	90.5	17

## Connectors

IP44

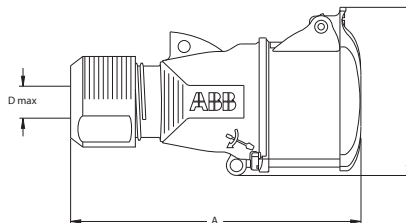


232EC9

### 32 A. Splashproof

Housing in plastic (PA). Cable entry with compression gland. Cable area 2.5...6 mm<sup>2</sup>

Terminals/ Poles	Color code	Voltage	Frequency	Type	Order Code	Pkg qty	Weight
		V	Hz				pkg (1pce) kg
<b>2P+E</b>							
3	Grey		AC	232EC1	2CMA102027R1000	10	0.26
	Green	> 50 V~	>300...500	232EC2	2CMA102028R1000		
	Yellow	100...130	50 and 60	232EC4	2CMA102030R1000		
	Blue	200...250		232EC6	2CMA102031R1000		
	Red	380...415		232EC9	2CMA102032R1000		
	Grey	transf		232EC12	2CMA102034R1000		
<b>3P+E</b>							
4	Grey		AC	332EC1	2CMA102035R1000	10	0.28
	Green	> 50 V~	>300...500	332EC2	2CMA102036R1000		
	Red	380/440	50/60	332EC3	2CMA102037R1000		
	Yellow	100...130	50 and 60	332EC4	2CMA102038R1000		
	Black	600...690		332EC5	2CMA102039R1000		
	Red	380...415		332EC6	2CMA102040R1000		
	Black	480...500		332EC7	2CMA102041R1000		
	Blue	200...250		332EC9	2CMA102042R1000		
	Green	> 50 V~	100...300	332EC10	2CMA102043R1000		
	Red	440...460	60	332EC11	2CMA102044R1000		
	Grey	transf	50 and 60	332EC12	2CMA102045R1000		
	<b>3P+N+E</b>						
5	Grey		AC	432EC1	2CMA102046R1000	10	0.30
	Green	> 50 V~	>300...500	432EC2	2CMA102047R1000		
	Red	380...440	50/60	432EC3	2CMA102048R1000		
	Yellow	100...130	50 and 60	432EC4	2CMA102049R1000		
	Black	600...690		432EC5	2CMA102050R1000		
	Red	346...415		432EC6	2CMA102051R1000		
	Black	480...500		432EC7	2CMA102052R1000		
	Blue	208...250		432EC9	2CMA102053R1000		
	Red	440...460	60	432EC11	2CMA102054R1000		



### Dimensions (mm)

Type	A	B	Dmax
232EC...	182	93.5	22
332EC...	182	93.5	22
432EC...	182.5	99	22

## Inlets

for wall mounting, IP44

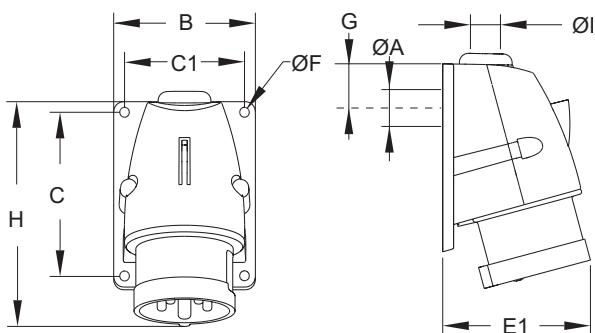


416BS9

### 16 A. Splashproof

Housing in plastic (PA). Flexible membrane and metric threaded M20 insert for top cable entry.  
Rear knock-out cable entry. Cable area 1...2.5 mm<sup>2</sup>

Terminals/ Poles	Color code	Voltage V	Frequency Hz	Type	Order Code	Pkg qty	Weight
							pkg (1pce) kg
<b>2P+E</b>							
3	Grey		AC	216BS1	2CMA193293R1000	10	0.15
	Yellow	100...130	50 and 60	216BS4	2CMA193289R1000		
	Blue	200...250		216BS6	2CMA193290R1000		
	Red	380...415		216BS9	2CMA193291R1000		
	Grey	transf.		216BS12	2CMA193292R1000		
<b>3P+E</b>							
4	Grey		AC	316BS1	2CMA193303R1000	10	0.19
	Yellow	100...130	50 and 60	316BS4	2CMA193296R1000		
	Black	600...690		316BS5	2CMA193297R1000		
	Red	380...415		316BS6	2CMA193298R1000		
	Black	480...500		316BS7	2CMA193299R1000		
	Blue	200...250		316BS9	2CMA193300R1000		
	Green	>50 V~	100...300	316BS10	2CMA193301R1000		
	Red	440...460	60	316BS11	2CMA193302R1000		
<b>3P+N+E</b>							
5	Grey		AC	416BS1	2CMA193311R1000	10	0.20
	Green	>50 V~	>300...500	416BS2	2CMA193304R1000		
	Black	600...690	50 and 60	416BS5	2CMA126699R1000		
	Red	346...415		416BS6	2CMA193307R1000		
	Blue	208...250		416BS9	2CMA193309R1000		
	Red	440...460	60	416BS11	2CMA193310R1000		



Dimensions (mm)

Type	A	B	C	C1	Dmax	E1	F	G	H
216BS..	23	66	75	54	18/M20	72	5.5	27	110
316BS..	23	79	91	67	18/M20	78	5.5	30	124
416BS..	23	79	91	67	18/M20	81	5.5	30	125

## Inlets

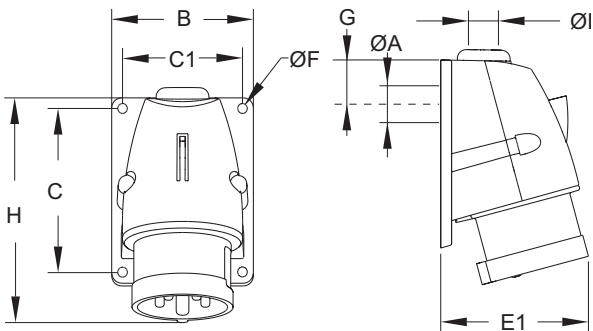
for wall mounting, IP44



### 32 A. IP44. Splashproof

Housing in plastic (PA). Flexible membrane and metric threaded M25 insert for top cable entry.  
Rear knock-out cable entry. Cable area 2.5...6 mm<sup>2</sup>

Terminals/ Poles	Color code	Voltage V	Frequency Hz	Type	Order Code	Pkg qty	Weight
							pkg (1pce) kg
<b>2P+E</b>							
3	Grey		AC	232BS1	2CMA193317R1000	10	0.25
	Yellow	100...130	50 and 60	232BS4	2CMA193313R1000		
	Blue	200...250		232BS6	2CMA193314R1000		
	Red	380...415		232BS9	2CMA193315R1000		
<b>3P+E</b>							
4	Grey		AC	332BS1	2CMA193327R1000	10	0.27
	Red	380/440	50/60	332BS3	2CMA193319R1000		
	Yellow	100...130	50 and 60	332BS4	2CMA193320R1000		
	Black	600...690		332BS5	2CMA193321R1000		
	Red	380...415		332BS6	2CMA193322R1000		
	Black	480...500		332BS7	2CMA193323R1000		
	Blue	200...250		332BS9	2CMA193324R1000		
	Green	> 50 V~	100...300	332BS10	2CMA193325R1000		
	Red	440...460	60	332BS11	2CMA193326R1000		
	<b>3P+N+E</b>						
5	Grey		AC	432BS1	2CMA193335R1000	10	0.29
	Black	600...690	50 and 60	432BS5	2CMA126700R1000		
	Red	346...415		432BS6	2CMA193331R1000		
	Black	480...500		432BS7	2CMA193332R1000		
	Blue	208...250		432BS9	2CMA193333R1000		



Dimensions (mm)

Type	A	B	C	C1	Dmax	E1	F	G	H
232BS..	29	85	111	72	22/M25	94	5.5	34	153
332BS..	29	85	111	72	22/M25	94	5.5	34	153
432BS..	29	85	111	72	22/M25	96	5.5	34	154

## Inlets

for panel mounting with minimized or unified straight flange, IP44

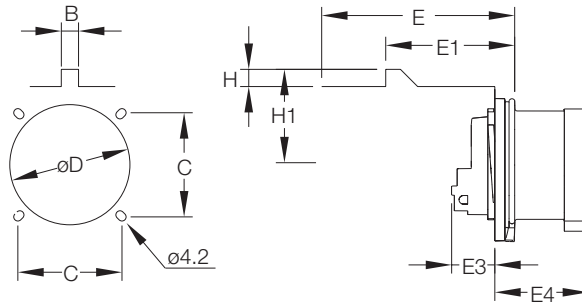


216B6

### 16 A. Splashproof

Housing in plastic (PA). Minimized flange, Cable area 1...2.5 mm<sup>2</sup>

Terminals/ Poles	Color code	Voltage V	Frequency Hz	Type	Order Code	Pkg qty	Weight
							pkg (1pce) kg
<b>2P+E</b>							
3	Grey		AC	216B1	2CMA193341R1000	10	0.10
	Blue	200...250	50 and 60	216B6	2CMA193338R1000		
<b>3P+E</b>							
4	Grey		AC	316B1	2CMA193351R1000	10	0.13
	Yellow	100...130	50 and 60	316B4	2CMA100187R1000		
	Black	600...690		316B5	2CMA193345R1000		
	Red	380...415		316B6	2CMA193346R1000		
	Blue	200...250		316B9	2CMA193348R1000		
<b>3P+N+E</b>							
5	Grey		AC	416B1	2CMA193359R1000	10	0.14
	Red	346...415	50 and 60	416B6	2CMA193355R1000		
	Blue	208...250		416B9	2CMA193357R1000		

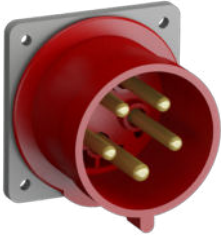


### Dimensions (mm)

Type	B	C	D	E	E1	E3	E4	H	H1
216B...	9	44-47	49	75	40.5	21.5	46.5	4	30.0
316B...	9	50-52	59	80	46.8	21.0	47.0	5	34.0
416B...	9	50-52	59	90	52.5	21.0	46.5	7	38.0

## Inlets

for panel mounting with minimized or unified straight flange, IP44



432BU6

### 16 A. IP44. Splashproof

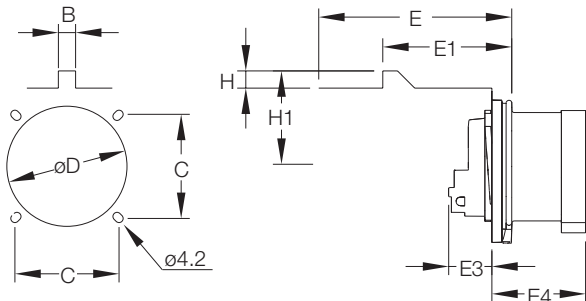
Housing in plastic (PA). Unified flange, Cable area 1...2.5 mm<sup>2</sup>

Terminals/ Poles	Color code	Voltage	Frequency	Type	Order Code	Pkg qty	Weight
		V	Hz				pkg (1pce) kg
<b>3P+E</b>							
4	Blue	200...250	50 and 60	316BU9	2CMA163824R1000	10	0.13
<b>3P+N+E</b>							
5	Black	600...690	50 and 60	416BU5	2CMA100235R1000	10	0.14
	Red	346...415		416BU6	2CMA193468R1000		

### 32 A. IP44. Splashproof

Housing in plastic (PA). Unified flange, Cable area 2.5...6 mm<sup>2</sup>

Terminals/ Poles	Color code	Voltage	Frequency	Type	Order Code	Pkg qty	Weight
		V	Hz				pkg (1pce) kg
<b>2P+E</b>							
3	Grey		AC	232BU1	2CMA193437R1000	10	0.15
	Blue	200...250	50 and 60	232BU6	2CMA193434R1000		
<b>3P+E</b>							
4	Grey		AC	332BU1	2CMA193447R1000	10	0.17
	Black	600...690	50 and 60	332BU5	2CMA193441R1000		
	Red	380...415		332BU6	2CMA193442R1000		
	Blue	200...250		332BU9	2CMA193444R1000		
<b>3P+N+E</b>							
5	Grey		AC	432BU1	2CMA193455R1000	10	0.19
	Red	346...415	50 and 60	432BU6	2CMA193451R1000		



### Dimensions (mm)

Type	B	C	D	E	E1	E3	E4	H	H1
316BU...	9	60-61	59	90	52.5	21.0	46.5	7	38.0
416BU...	9	60-61	59	90	52.5	21.0	46.5	7	38.0
232BU...	9	60-61	66	90	53.5	24.5	55.5	7	40.0
332BU...	9	60-61	66	90	53.5	24.5	55.5	7	40.0
432BU...	9	60-61	66	105	59.5	25.0	55.5	8	45.0



## Socket outlet

for wall mounting, IP44

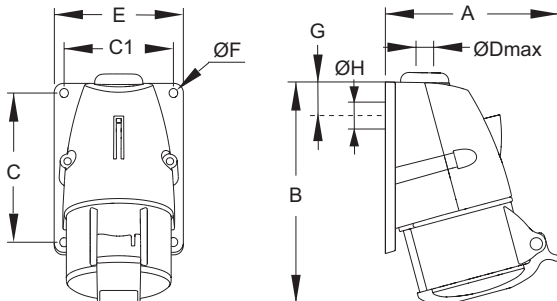


216RS6

### 16 A. Splashproof

Housing in plastic (PA). Flexible membrane and metric threaded M20 insert for top cable entry.  
Rear knock-out cable entry. Cable area 1.5...4 mm<sup>2</sup>

Terminals/ Poles	Color code	Voltage V	Frequency Hz	Type	Order Code	Pkg qty	Weight
							pkg (1pce) kg
<b>2P+E</b>							
3	Grey		AC	216RS1	2CMA193101R1000	10	0.22
	Yellow	100...130	50 and 60	216RS4	2CMA193097R1000		
	Blue	200...250		216RS6	2CMA193098R1000		
	Red	380...415		216RS9	2CMA193099R1000		
	Grey	transf.		216RS12	2CMA193100R1000		
<b>3P+E</b>							
4	Grey		AC	316RS1	2CMA193111R1000	10	0.24
	Yellow	100...130	50 and 60	316RS4	2CMA193104R1000		
	Black	600...690		316RS5	2CMA193105R1000		
	Red	380...415		316RS6	2CMA193106R1000		
	Black	480...500		316RS7	2CMA193107R1000		
	Blue	200...250		316RS9	2CMA193108R1000		
	Green	> 50 V~	100...300	316RS10	2CMA193109R1000		
	Red	440...460	60	316RS11	2CMA193110R1000		
	Grey	transf.	50 and 60	316RS12	2CMA170181R1000		
<b>3P+N+E</b>							
5	Grey		AC	416RS1	2CMA193119R1000	10	0.26
	Green	> 50 V~	300...500	416RS2	2CMA193112R1000		
	Black	600..690	50 and 60	416RS5	2CMA126666R1000		
	Red	346...415		416RS6	2CMA193115R1000		
	Blue	208...250		416RS9	2CMA193117R1000		
	Red	440...460	60	416RS11	2CMA193118R1000		



### Dimensions (mm)

Type	A	B	C	C1	Dmax	E	F	G	H
216RS..	91	117	75	54	18/M20	66	5.5	27	23
316RS..	100	132	91	67	18/M20	79	5.5	30	23
416RS..	104	134	91	67	18/M20	79	5.5	30	23

## Socket outlet

for wall mounting, IP44

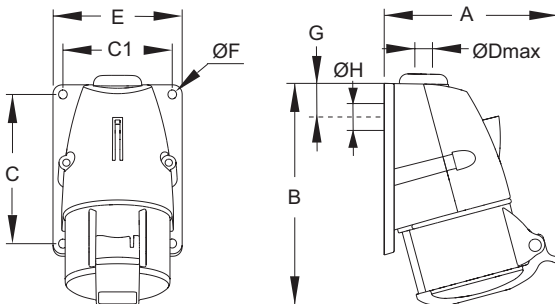


432RS6

### 32 A. Splashproof

Housing in plastic (PA). Flexible membrane and metric threaded M25 insert for top cable entry. Rear knock-out cable entry. Cable area 2.5...10 mm<sup>2</sup>

Terminals/ Poles	Color code	Voltage V	Frequency Hz	Type	Order Code	Pkg qty	Weight pkg (1pce) kg			
<b>2P+E</b>										
3	Grey		AC	232RS1	2CMA193125R1000	10	0.30			
	Yellow	100...130	50 and 60	232RS4	2CMA193121R1000					
	Blue	200...250		232RS6	2CMA193122R1000					
	Red	380...415		232RS9	2CMA193123R1000					
<b>3P+E</b>										
4	Grey		AC	332RS1	2CMA193135R1000	10	0.32			
	Red	380/440	50/60	332RS3	2CMA193127R1000					
	Yellow	100...130	50 and 60	332RS4	2CMA193128R1000					
	Black	600...690		332RS5	2CMA193129R1000					
	Red	380...415		332RS6	2CMA193130R1000					
	Black	480...500		332RS7	2CMA193131R1000					
	Blue	200...250		332RS9	2CMA193132R1000					
	Green	> 50 V~	100...300	332RS10	2CMA193133R1000					
	Red	440...460	60	332RS11	2CMA193134R1000					
	<b>3P+N+E</b>									
	5	Grey		AC	432RS1			2CMA193143R1000	10	0.34
Black		600...690	50 and 60	432RS5	2CMA126667R1000					
Red		346...415		432RS6	2CMA193139R1000					
Black		480...500		432RS7	2CMA193140R1000					
Blue		208...250		432RS9	2CMA193141R1000					

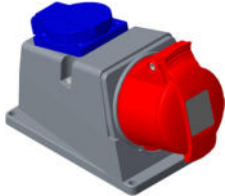


### Dimensions (mm)

Type	A	B	C	C1	Dmax	E	F	G	H
232RS..	118	163	111	72	22/M25	85	5.5	34	29
332RS..	116	163	111	72	22/M25	85	5.5	34	29
432RS..	121	164	111	72	22/M25	85	5.5	34	29

## Additional products and accessories

### Surface socket outlet with schuko

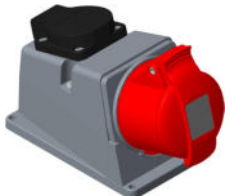


CUE416-6+R/UJP

#### 16A, IP44. Splashproof

Housing in plastic (PA). Socket outlet with 2 pole schuko. Cable area 1.5...4 mm<sup>2</sup>

Terminals/ Poles	Color code	Voltage	Frequency	Type	Order Code	Pkg qty	Weight
		V	Hz				pkg (1pce) kg
<b>3P+E</b>							
5	Blue	200...250	50 and 60	CUE316-9+R/UJP	2CMA178363R1000	10	0.34
<b>3P+N+E</b>							
5	Red	400/230	50 and 60	CUE416-6+R/UJP	2CMA178301R1000	10	0.34



CUE416-6+R/FR16

#### 16A, IP44. Splashproof

Housing in plastic (PA). Socket outlet with 2 pole schuko. Cable area 1.5...4 mm<sup>2</sup>

Terminals/ Poles	Color code	Voltage	Frequency	Type	Order Code	Pkg qty	Weight
		V	Hz				pkg (1pce) kg
<b>3P+N+E</b>							
5	Red	400/230	50 and 60	CUE416-6+R/FR16*	2CMA101642R1000	10	0.34

\*French Standard

#### 16A, IP44. Splashproof

Housing in plastic (PA). Socket outlet with 2 pole schuko. Cable area 1.5...4 mm<sup>2</sup>

Terminals/ Poles	Color code	Voltage	Frequency	Type	Order Code	Pkg qty	Weight
		V	Hz				pkg (1pce) kg
<b>3P+N+E</b>							
5	Red	400/230	50 and 60	CUE416-6+R/BS13*	2CMA101635R1000	10	0.34

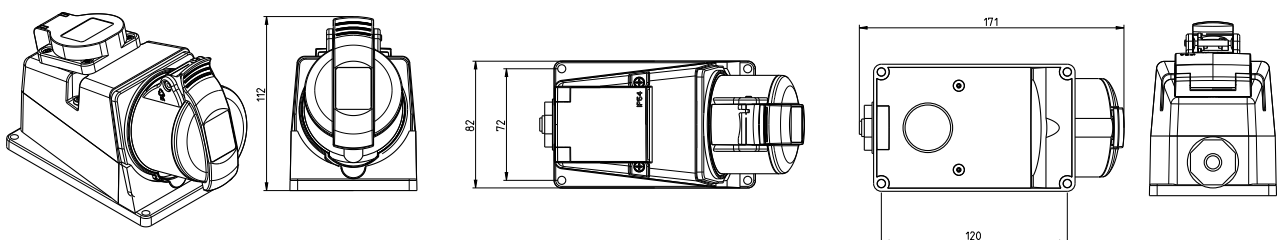
\*British Standard

#### 16A, IP44. Splashproof

Housing in plastic (PA). Socket outlet with 2 pole schuko. Cable area 1.5...4 mm<sup>2</sup>

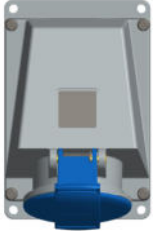
Terminals/ Poles	Color code	Voltage	Frequency	Type	Order Code	Pkg qty	Weight
		V	Hz				pkg (1pce) kg
<b>3P+N+E</b>							
5	Red	400/230	50 and 60	CUE416-6+R/DK16A*	2CMA105921R1000	10	0.34

\*Danish Standard



## Socket outlet

for wall mounting, IP44

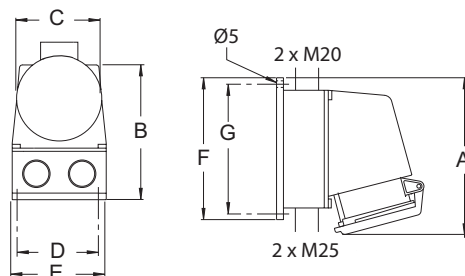


216ERT6

### 16 A. Watertight

Housing in plastic (PBT). Cable entry with knock-outs 2xM20 on bottom and 2xM25 on top. Cable area 1.5...4 mm<sup>2</sup>

Terminals/ Poles	Color code	Voltage V	Frequency Hz	Type	Order Code	Pkg qty	Weight			
							pkg (1pce) kg			
<b>2P+E</b>										
3	Grey		AC	216ERT1	2CMA101739R1000	1	0.36			
	Green	> 50 V~	>300...500	216ERT2	2CMA101740R1000					
	Yellow	100...130	50 and 60	216ERT4	2CMA101719R1000					
	Blue	200...250		216ERT6	2CMA101742R1000					
	Grey	transf.		216ERT12	2CMA101743R1000					
<b>3P+E</b>										
4	Grey		AC	316ERT1	2CMA101744R1000	1	0.39			
	Green	> 50 V~	>300...500	316ERT2	2CMA101745R1000					
	Yellow	100...130	50 and 60	316ERT4	2CMA101746R1000					
	Black	600...690		316ERT5	2CMA101747R1000					
	Red	380...415		316ERT6	2CMA101720R1000					
	Black	480...500		316ERT7	2CMA101748R1000					
	Blue	200...250		316ERT9	2CMA101721R1000					
	Green	> 50 V~	100...300	316ERT10	2CMA101749R1000					
	Red	440...460	60	316ERT11	2CMA101722R1000					
	Grey	transf.		316ERT12	2CMA101750R1000					
	<b>3P+N+E</b>									
	5	Grey		AC	416ERT1			2CMA101751R1000	10	0.41
Green		> 50 V~	>300...500	416ERT2	2CMA101752R1000					
Yellow		100...130	50 and 60	416ERT4	2CMA101753R1000					
Red		346...415		416ERT6	2CMA101723R1000					
Black		480...500		416ERT7	2CMA101754R1000					
Blue		208...250		416ERT9	2CMA101755R1000					
Red		440...460	60	416ERT11	2CMA101756R1000					



### Dimensions (mm)

Type	A	B	C	D	E	F	G
216ERT...416ERT...	134	139	82	71	80	120	111

## Socket outlet

for wall mounting, IP44

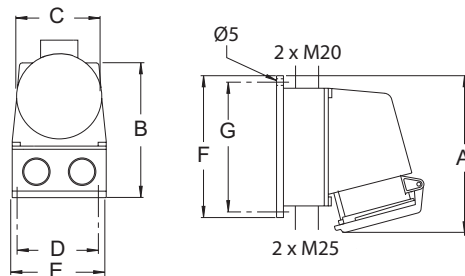


232ERT6

### 32 A. Splashproof

Housing in plastic (PBT). Cable entry with knock-outs 2xM25 on top and 2xM25 on bottom. Cable area 2.5...10 mm<sup>2</sup>

Terminals	Color code	Voltage		Frequency		Type	Order Code	Pkg qty	Weight pkg (1pce) kg
		V		Hz					
<b>2P+E</b>									
	Green	>50		>300 ... 500		232ERT2	2CMA101757R1000	1	0.42
	Yellow	100 ... 130		50, 60		232ERT4	2CMA101759R1000		
	Blue	200 ... 250				232ERT6	2CMA101724R1000		
	Red	380 ... 415				232ERT9	2CMA101760R1000		
	Grey	Isol. Transformer				232ERT12	2CMA101761R1000		
<b>3P+E</b>									
	Green	>50		>300 ... 500		332ERT2	2CMA101762R1000	1	0.44
	Red	380/440		50/60		332ERT3	2CMA101763R1000		
	Yellow	100 ... 130				332ERT4	2CMA101764R1000		
	Black	600 ... 690				332ERT5	2CMA101765R1000		
	Red	380 ... 415				332ERT6	2CMA101725R1000		
	Black	480 ... 500				332ERT7	2CMA101766R1000		
	Blue	200 ... 250				332ERT9	2CMA101726R1000		
	Green	50 ... 600		100 ... 300		332ERT10	2CMA101767R1000		
	Red	440 ... 460		60		332ERT11	2CMA101768R1000		
	Grey	Isol. Transformer		50, 60		332ERT12	2CMA101769R1000		
<b>3P+N+E</b>									
	Green	>50		>300 ... 500		432ERT2	2CMA101770R1000	1	0.5
	Yellow	57/100 ... 75/130		50, 60		432ERT4	2CMA101771R1000		
	Red	200/346 ... 240/415				432ERT6	2CMA101727R1000		
	Black	277/480 ... 288/500				432ERT7	2CMA101772R1000		
	Blue	120/208 ... 144/250				432ERT9	2CMA101773R1000		
	Red	440 ... 460		60		432ERT11	2CMA101774R1000		



### Dimensions (mm)

Type	A	B	C	D	E	F	G
232ERT... 432ERT	139	139	82	71	80	121	111
263ERT... 463ERT	225	186	100	124	149	149	129

## Socket outlet

for wall mounting, IP44

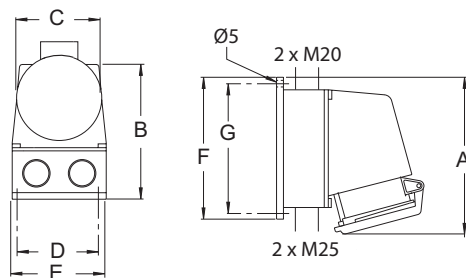


263ERT6

### 63 A. Splashproof

Housing in plastic (PBT). Cable entry with knock-outs 2 x M32/M40 + 1 x M20 on top. 1 x M20 + 1 x M32/M40 on bottom. Cable area 6...25 mm<sup>2</sup>

Terminals	Color code	Voltage		Frequency		Type	Order Code	Pkg qty	Weight pkg (1pce) kg
		V		Hz					
<b>2P+E</b>									
	Yellow	100 ... 130		50, 60		263ERT4	2CMA101894R1000	1	1.4
	Blue	200 ... 250				263ERT6	2CMA101895R1000		
<b>3P+E</b>									
	Yellow	100 ... 130		50, 60		363ERT4	2CMA101888R1000	1	1.4
	Black	600 ... 690				363ERT5	2CMA101889R1000		
	Red	380 ... 415				363ERT6	2CMA101890R1000		
	Black	480 ... 500				363ERT7	2CMA101891R1000		
	Blue	200 ... 250				363ERT9	2CMA101892R1000		
	Red	440 ... 460		60		363ERT11	2CMA101893R1000		
<b>3P+N+E</b>									
	Yellow	57/100 ... 75/130		50, 60		463ERT4	2CMA101884R1000	1	1.45
	Red	200/346 ... 240/415				463ERT6	2CMA101885R1000		
	Blue	120/208 ... 144/250				463ERT9	2CMA101886R1000		
	Red	250/440 ... 265/460		60		463ERT11	2CMA101887R1000		



### Dimensions (mm)

Type	A	B	C	D	E	F	G
232ERT... 432ERT	139	139	82	71	80	121	111
263ERT... 463ERT	225	186	100	124	149	149	129

## Socket outlet

for panel mounting with unified straight flange, IP44

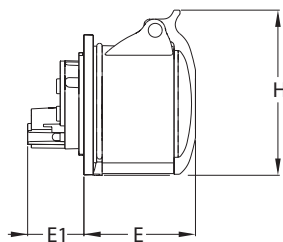
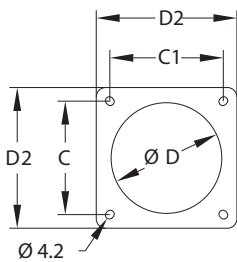


216RU6

### 16 A. Splashproof

Housing in plastic (PA). Cable area 1.5...4 mm<sup>2</sup>

Terminals/ Poles	Color code	Voltage V	Frequency Hz	Type	Order Code	Pkg qty	Weight			
							pkg (1pce) kg			
<b>2P+E</b>										
3	Grey		AC	216RU1	2CMA193173R1000	10	0.15			
	Yellow	100...130	50 and 60	216RU4	2CMA193169R1000					
	Blue	200...250		216RU6	2CMA193170R1000					
	Red	380...415		216RU9	2CMA193171R1000					
	Grey	transf.		216RU12	2CMA193172R1000					
<b>3P+E</b>										
4	Grey		AC	316RU1	2CMA193183R1000	10	0.18			
	Yellow	100...130	50 and 60	316RU4	2CMA193176R1000					
	Black	600...690		316RU5	2CMA193177R1000					
	Red	380...415		316RU6	2CMA193178R1000					
	Black	480...500		316RU7	2CMA193179R1000					
	Blue	200...250		316RU9	2CMA193180R1000					
	Green	> 50 V~	100...300	316RU10	2CMA193181R1000					
	Red	440...460	60	316RU11	2CMA193182R1000					
	<b>3P+N+E</b>									
	5	Grey		AC	416RU1			2CMA193191R1000	10	0.20
Green		> 50 V~	>300...500	416RU2	2CMA193184R1000					
Black		600...690	50 and 60	416RU5	2CMA126673R1000					
Red		346...415		416RU6	2CMA193187R1000					
Blue		208...250		416RU9	2CMA193189R1000					



### Dimensions (mm)

Type	C	C1	D	D2	E	E1	H
216RU..	60-61	60-61	49	75	56	29	79
316RU..	60-61	60-61	59	75	58	30	87
416RU..	60-61	60-61	59	75	60	31	89



## Socket outlet

for panel mounting with unified straight flange, IP44

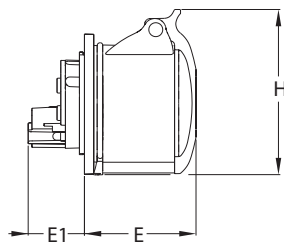
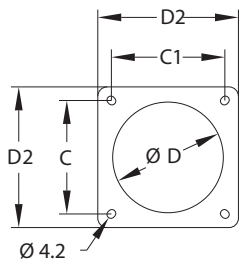


432RU6

### 32 A. Splashproof

Housing in plastic (PA). Cable area 2.5...10 mm<sup>2</sup>

Terminals/ Poles	Color code	Voltage V	Frequency Hz	Type	Order Code	Pkg qty	Weight
							pkg (1pce) kg
<b>2P+E</b>							
3	Grey		AC	232RU1	2CMA193245R1000	10	0.21
	Yellow	100...130	50 and 60	232RU4	2CMA193241R1000		
	Blue	200...250		232RU6	2CMA193242R1000		
<b>3P+E</b>							
4	Grey		AC	332RU1	2CMA193255R1000	10	0.22
	Black	600...690	50 and 60	332RU5	2CMA193249R1000		
	Red	380...415		332RU6	2CMA193250R1000		
	Black	480...500		332RU7	2CMA193251R1000		
	Blue	200...250		332RU9	2CMA193252R1000		
<b>3P+N+E</b>							
5	Grey		AC	432RU1	2CMA193263R1000	10	0.24
	Black	600...690	50 and 60	432RU5	2CMA126674R1000		
	Red	346...415		432RU6	2CMA193259R1000		
	Blue	208...250		432RU9	2CMA101699R1000		



### Dimensions (mm)

Type	C	C1	D	D2	E	E1	H
232RU..	60-61	60-61	66	75	70	34	93
332RU..	60-61	60-61	66	75	70	34	93
432RU..	60-61	60-61	66	75	71	34	99

## Socket outlet

for panel mounting with unified angled flange, IP44

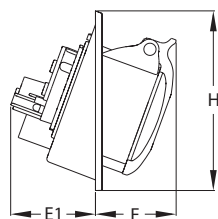
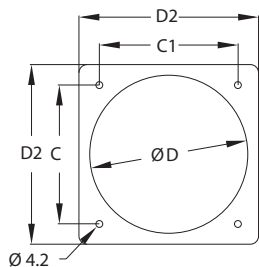


216RAU6

### 16 A. Splashproof

Housing in plastic (PA). Cable area 1.5...4 mm<sup>2</sup>

Terminals/ Poles	Color code	Voltage V	Frequency Hz	Type	Order Code	Pkg qty	Weight			
							pkg (1pce) kg			
<b>2P+E</b>										
3	Grey		AC	216RAU1	2CMA193221R1000	10	0.19			
	Green	> 50 V~	>300...500	216RAU2	2CMA101342R1000					
	Yellow	100...130	50 and 60	216RAU4	2CMA193217R1000					
	Blue	200...250		216RAU6	2CMA193218R1000					
	Red	380...415		216RAU9	2CMA193219R1000					
	Grey	transf.		216RAU12	2CMA193220R1000					
<b>3P+E</b>										
4	Grey		AC	316RAU1	2CMA193231R1000	10	0.22			
	Yellow	100...130	50 and 60	316RAU4	2CMA193224R1000					
	Black	600...690		316RAU5	2CMA193225R1000					
	Red	380...415		316RAU6	2CMA193226R1000					
	Black	480...500		316RAU7	2CMA193227R1000					
	Blue	200...250		316RAU9	2CMA193228R1000					
	Green	> 50 V~	>300...500	316RAU10	2CMA193229R1000					
	Red	440...460	60	316RAU11	2CMA193230R1000					
	<b>3P+N+E</b>									
	5	Grey		AC	416RAU1			2CMA193239R1000	10	0.24
		Green	> 50 V~	>300...500	416RAU2			2CMA193232R1000		
Yellow		100...130	50 and 60	416RAU4	2CMA101343R1000					
Black		600...690		416RAU5	2CMA126678R1000					
Red		346...415		416RAU6	2CMA193235R1000					
Blue		208...250		416RAU9	2CMA193237R1000					



### Dimensions (mm)

Type	C	C1	D	D2	E	E1	H
216RAU..	85	85	98	110	48	48	110
316RAU..	85	85	98	110	50	48	110
416RAU..	85	85	98	110	51	50	110

## Socket outlet

for panel mounting with unified angled flange, IP44

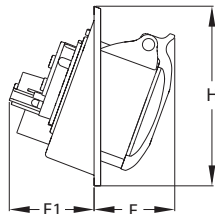
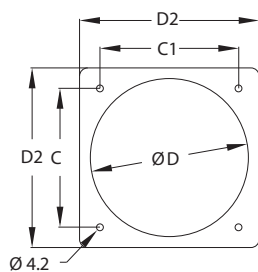


432RAU6

### 32 A. Splashproof

Housing in plastic (PA). Cable area 2.5...10 mm<sup>2</sup>

Terminals/ Poles	Color code	Voltage V	Frequency Hz	Type	Order Code	Pkg qty	Weight
							pkg (1pce) kg
<b>2P+E</b>							
3	Grey		AC	232RAU1	2CMA193269R1000	10	0.25
	Yellow	100...130	50 and 60	232RAU4	2CMA193265R1000		
	Blue	200...250		232RAU6	2CMA193266R1000		
<b>3P+E</b>							
4	Grey		AC	332RAU1	2CMA193279R1000	10	0.26
	Black	600...690	50 and 60	332RAU5	2CMA193273R1000		
	Red	380...415		332RAU6	2CMA193274R1000		
	Black	480...500		332RAU7	2CMA193275R1000		
	Blue	200...250		332RAU9	2CMA193276R1000		
<b>3P+N+E</b>							
5	Grey		AC	432RAU1	2CMA193287R1000	10	0.28
	Black	600...690	50 and 60	432RAU5	2CMA126679R1000		
	Red	346...415		432RAU6	2CMA193283R1000		



### Dimensions (mm)

Type	C	C1	D	D2	E	E1	H
232RAU...	85	85	98	110	61	53	110
332RAU...	85	85	98	110	61	53	110
432RAU...	85	85	98	110	63	54	110

## Socket outlet

for panel mounting with minimized straight flange, IP44

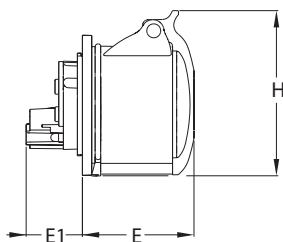
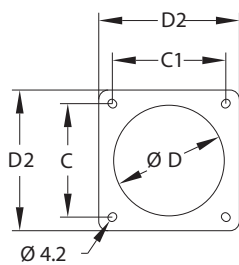


216R6

### 16 A. Splashproof

Housing in plastic (PA). Cable area 1.5...4 mm<sup>2</sup>

Terminals/ Poles	Color code	Voltage V	Frequency Hz	Type	Order Code	Pkg qty	Weight	
							pkg (1pce) kg	
<b>2P+E</b>								
3	Yellow	100...130	50 and 60	216R4	2CMA193145R1000	10	0.14	
	Blue	200...250		216R6	2CMA193146R1000			
	Red	380...415		216R9	2CMA193147R1000			
	Grey	transf.		216R12	2CMA193148R1000			
<b>3P+E</b>								
4	Grey		AC	316R1	2CMA193159R1000	10	0.17	
	Yellow	100...130	50 and 60	316R4	2CMA193152R1000			
	Black	600...690		316R5	2CMA193153R1000			
	Red	380...415		316R6	2CMA193154R1000			
	Black	480...500		316R7	2CMA193155R1000			
	Blue	200...250		316R9	2CMA193156R1000			
	Green	> 50 V~		100...300	316R10			2CMA193157R1000
	Red	440...460		60	316R11			2CMA193158R1000
<b>3P+N+E</b>								
5	Grey		AC	416R1	2CMA193167R1000	10	0.19	
	Green	> 50 V~	>300...500	416R2	2CMA193160R1000			
	Red	346...415		416R6	2CMA193163R1000			
	Blue	208...250	50 and 60	416R9	2CMA193165R1000			



### Dimensions (mm)

Type	C	C1	D	D2	E	E1	H
216R..	44-47	44-47	49	56	56	29	73
316R..	50-52	50-52	59	66	58	30	87
416R..	50-52	50-52	59	66	60	31	89

## Socket outlet

for panel mounting with minimized angled flange, IP44

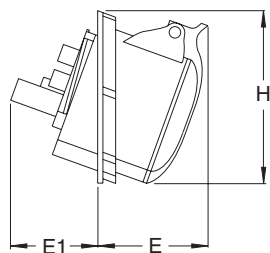
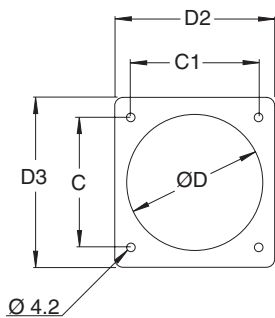


216RAM6

### 16 A. Splashproof

Housing in plastic (PA). Cable area 1.5...4 mm<sup>2</sup>

Terminals/ Poles	Color code	Voltage V	Frequency Hz	Type	Order Code	Pkg qty	Weight			
							pkg (1pce)			
							kg			
<b>2P+E</b>										
3	Grey		AC	216RAM1	2CMA170007R1000	10	0.21			
	Yellow	100...130	50 and 60	216RAM4	2CMA170003R1000					
	Blue	200...250		216RAM6	2CMA170004R1000					
	Red	380...415		216RAM9	2CMA170005R1000					
	Grey	transf.		216RAM12	2CMA170006R1000					
<b>3P+E</b>										
4	Grey		AC	316RAM1	2CMA170017R1000	10	0.22			
	Yellow	100...130	50 and 60	316RAM4	2CMA170010R1000					
	Black	600...690		316RAM5	2CMA170011R1000					
	Red	380...415		316RAM6	2CMA170012R1000					
	Black	480...500		316RAM7	2CMA170013R1000					
	Blue	200...250		316RAM9	2CMA170014R1000					
	Green	> 50 V~	100...300	316RAM10	2CMA170015R1000					
	Red	440...460	60	316RAM11	2CMA170016R1000					
	<b>3P+N+E</b>									
	5	Grey		AC	416RAM1			2CMA170025R1000	10	0.24
		Green	> 50 V~	>300...500	416RAM2			2CMA170018R1000		
Red		346...415	50 and 60	416RAM6	2CMA170021R1000					
Blue		208...250		416RAM9	2CMA170023R1000					



### Dimensions (mm)

Type	C	C1	D	D2	D3	E	E1	H
216RAM..	55	55	63	70	78	53	42	76
316RAM..	66	66	78	83	89	53	46	85
416RAM..	66	66	78	83	89	55	48	89

## Socket outlet

for panel mounting with minimized angled flange, IP44

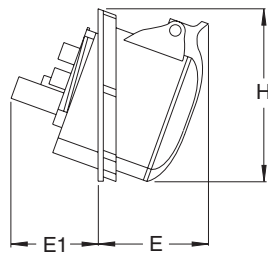
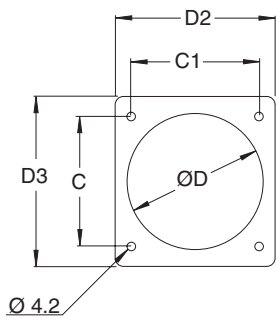


332RAM6

### 32 A. Splashproof

Housing in plastic (PA). Cable area 2.5...10 mm<sup>2</sup>

Terminals/ Poles	Color code	Voltage V	Frequency Hz	Type	Order Code	Pkg qty	Weight
							pkg (1pce) kg
<b>2P+E</b>							
3	Grey		AC	232RAM1	2CMA170030R1000	10	0.21
	Grey	> 50...250	DC	232RAM3	2CMA100856R1000		
	Yellow	100...130	50 and 60	232RAM4	2CMA170026R1000		
	Blue	200...250		232RAM6	2CMA170027R1000		
<b>3P+E</b>							
4	Grey		AC	332RAM1	2CMA170040R1000	10	0.22
	Black	600...690	50 and 60	332RAM5	2CMA170034R1000		
	Red	380...415		332RAM6	2CMA170035R1000		
	Black	480...500		332RAM7	2CMA170036R1000		
	Blue	200...250		332RAM9	2CMA170037R1000		
<b>3P+N+E</b>							
5	Grey		AC	432RAM1	2CMA170048R1000	10	0.24
	Red	346...415	50 and 60	432RAM6	2CMA170044R1000		



### Dimensions (mm)

Type	C	C1	D	D2	D3	E	E1	H
232RAM...	75	75	87	93	99	61	52	98
332RAM...	75	75	87	93	99	61	52	98
432RAM...	75	75	87	93	99	64	52	101

---

## Watertight Easy & Safe

Our IP67 Easy & Safe is a perfect choice in most applications where water and dirt can occur. They combine easy access to contact parts during installation with high protection degree while the products are in use. Electrical contacts protected against liquids and dirt retains its performance over time. High contact performance means reliability, reducing downtime and lowers maintenance costs.





# Plugs

IP67

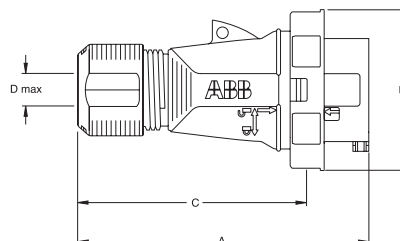


216EP6W

## 16 A. Watertight

Housing in plastic (PA). Cable entry with compression gland. Cable area 1...2.5 mm<sup>2</sup>

Terminals/ Poles	Color code	Voltage V	Frequency Hz	Type	Order Code	Pkg qty	Weight
							pkg (1pce) kg
<b>2P+E</b>							
3	Grey		AC	216EP1W	2CMA101069R1000	10	0.13
	Yellow	100...130	50 and 60	216EP4W	2CMA101071R1000		
	Blue	200...250		216EP6W	2CMA101072R1000		
	Red	380...415		216EP9W	2CMA101073R1000		
	Grey	transf		216EP12W	2CMA101074R1000		
<b>3P+E</b>							
4	Grey		AC	316EP1W	2CMA101075R1000	10	0.19
	Green	> 50 V~	>300...500	316EP2W	2CMA101076R1000		
	Red	380/440	50/60	316EP3W	2CMA101077R1000		
	Yellow	100...130	50 and 60	316EP4W	2CMA101078R1000		
	Black	600...690		316EP5W	2CMA101079R1000		
	Red	380...415		316EP6W	2CMA101080R1000		
	Black	480...500		316EP7W	2CMA101081R1000		
	Blue	200...250		316EP9W	2CMA101082R1000		
	Green	> 50 V~	100...300	316EP10W	2CMA101083R1000		
	Red	440...460	60	316EP11W	2CMA101084R1000		
<b>3P+N+E</b>							
5	Grey		AC	416EP1W	2CMA101085R1000	10	0.21
	Green	> 50 V~	>300...500	416EP2W	2CMA101086R1000		
	Red	380...440	50/60	416EP3W	2CMA101087R1000		
	Yellow	100...130	50 and 60	416EP4W	2CMA101088R1000		
	Red	346...415		416EP6W	2CMA101089R1000		
	Black	480...500		416EP7W	2CMA101090R1000		
	Blue	208...250		416EP9W	2CMA101091R1000		
	Red	440...460	60	416EP11W	2CMA101092R1000		



Dimensions (mm)

Type	A	B	C	Dmax
216EP...W	134	73	100	14
316EP...W	161	81	127	17
416EP...W	158	87	125	17

# Plugs

## IP67

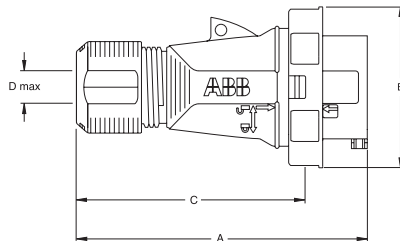


432EP6W

### 32 A. Watertight

Housing in plastic (PA). Cable entry with compression gland. Cable area 2.5...6 mm<sup>2</sup>

Terminals/ Poles	Color code	Voltage V	Frequency Hz	Type	Order Code	Pkg qty	Weight
							pkg (1pce) kg
<b>2P+E</b>							
3	Grey		AC	232EP1W	2CMA101093R1000	10	0.23
	Grey	> 50...250	DC	232EP3W	2CMA105987R1000		
	Yellow	100...130	50 and 60	232EP4W	2CMA101094R1000		
	Blue	200...250		232EP6W	2CMA101095R1000		
	Red	380...415		232EP9W	2CMA101096R1000		
	Grey	transf		232EP12W	2CMA101097R1000		
<b>3P+E</b>							
4	Grey		AC	332EP1W	2CMA101098R1000	10	0.25
	Green	> 50 V~	>300...500	332EP2W	2CMA101099R1000		
	Red	380/440	50/60	332EP3W	2CMA101100R1000		
	Yellow	100...130	50 and 60	332EP4W	2CMA101101R1000		
	Black	600...690		332EP5W	2CMA101102R1000		
	Red	380...415		332EP6W	2CMA101103R1000		
	Black	480...500		332EP7W	2CMA101104R1000		
	Blue	200...250		332EP9W	2CMA101105R1000		
	Green	100...300	>50	332EP10W	2CMA101106R1000		
	Red	440...460	60	332EP11W	2CMA101107R1000		
	<b>3P+N+E</b>						
5	Grey		AC	432EP1W	2CMA101108R1000	10	0.25
	Green	> 50 V~	>300...500	432EP2W	2CMA101109R1000		
	Red	380...440	50/60	432EP3W	2CMA101110R1000		
	Yellow	100...130	50 and 60	432EP4W	2CMA101111R1000		
	Red	346...415		432EP6W	2CMA101112R1000		
	Black	480...500		432EP7W	2CMA101113R1000		
	Blue	208...250		432EP9W	2CMA101114R1000		
	Red	440...460	60	432EP11W	2CMA101115R1000		



Dimensions (mm)

Type	A	B	C	Dmax
232EP...W	183	91	141	22
332EP...W	183	91	141	22
432EP...W	183	99	141	22

## Connectors

IP67

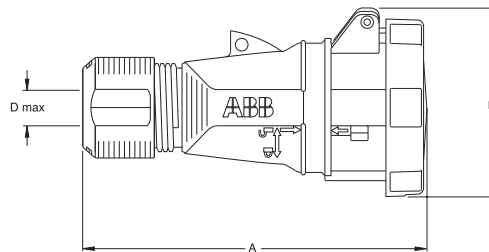


216EC6W

### 16 A. Watertight

Housing in plastic (PA). Cable entry with compression gland. Cable area 1...2.5 mm<sup>2</sup>

Terminals/ Poles	Color code	Voltage	Frequency	Type	Order Code	Pkg qty	Weight
		V	Hz				pkg (1pce) kg
<b>2P+E</b>							
3	Grey		AC	216EC1W	2CMA101116R1000	10	0.17
	Yellow	100...130	50 and 60	216EC4W	2CMA101118R1000		
	Blue	200...250		216EC6W	2CMA101119R1000		
	Red	380...415		216EC9W	2CMA101120R1000		
	Grey	transf		216EC12W	2CMA101121R1000		
<b>3P+E</b>							
4	Grey		AC	316EC1W	2CMA101122R1000	10	0.23
	Green	> 50 V~	>300...500	316EC2W	2CMA101123R1000		
	Red	380/440	50/60	316EC3W	2CMA101124R1000		
	Yellow	100...130	50 and 60	316EC4W	2CMA101125R1000		
	Black	600...690		316EC5W	2CMA101126R1000		
	Red	380...415		316EC6W	2CMA101127R1000		
	Black	480...500		316EC7W	2CMA101128R1000		
	Blue	200...250		316EC9W	2CMA101129R1000		
	Green	> 50 V~	100...300	316EC10W	2CMA101130R1000		
	Red	440...460	60	316EC11W	2CMA101131R1000		
	<b>3P+N+E</b>						
5	Grey		AC	416EC1W	2CMA101132R1000	10	0.26
	Green	> 50 V~	>300...500	416EC2W	2CMA101133R1000		
	Red	380...440	50/60	416EC3W	2CMA101134R1000		
	Yellow	100...130	50 and 60	416EC4W	2CMA101135R1000		
	Red	346...415		416EC6W	2CMA101136R1000		
	Black	480...500		416EC7W	2CMA101137R1000		
	Blue	208...250		416EC9W	2CMA101138R1000		
	Red	440...460	60	416EC11W	2CMA101139R1000		



### Dimensions (mm)

Type	A	B	Dmax
216EC...W	146	81	14
316EC...W	169	88	17
416EC...W	169	92	17

## Connectors

IP67

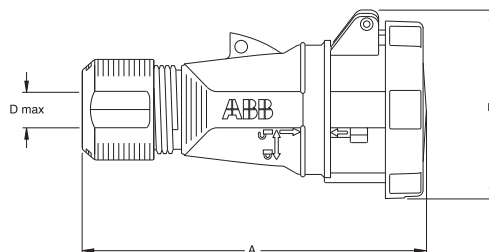


432EC6W

### 32 A. Watertight

Housing in plastic (PA). Cable entry with compression gland. Cable area 2.5...6 mm<sup>2</sup>

Terminals/ Poles	Color code	Voltage V	Frequency Hz	Type	Order Code	Pkg qty	Weight
							pkg (1pce) kg
<b>2P+E</b>							
3	Grey		AC	232EC1W	2CMA101140R1000	10	0.28
	Yellow	100...130	50 and 60	232EC4W	2CMA101141R1000		
	Blue	200...250		232EC6W	2CMA101142R1000		
	Red	380...415		232EC9W	2CMA101143R1000		
	Grey	transf		232EC12W	2CMA101144R1000		
<b>3P+E</b>							
4	Grey		AC	332EC1W	2CMA101145R1000	10	0.30
	Green	> 50 V~	>300...500	332EC2W	2CMA101146R1000		
	Red	380/440	50/60	332EC3W	2CMA101147R1000		
	Yellow	100...130	50 and 60	332EC4W	2CMA101148R1000		
	Black	600...690		332EC5W	2CMA101149R1000		
	Red	380...415		332EC6W	2CMA101150R1000		
	Black	480...500		332EC7W	2CMA101151R1000		
	Blue	200...250		332EC9W	2CMA101152R1000		
	Green	> 50 V~	100...300	332EC10W	2CMA101153R1000		
	Red	440...460	60	332EC11W	2CMA101154R1000		
	<b>3P+N+E</b>						
5	Grey		AC	432EC1W	2CMA101155R1000	10	0.30
	Green	> 50 V~	>300...500	432EC2W	2CMA101156R1000		
	Red	380...440	50/60	432EC3W	2CMA101157R1000		
	Yellow	100...130	50 and 60	432EC4W	2CMA101158R1000		
	Red	346...415		432EC6W	2CMA101159R1000		
	Black	480...500		432EC7W	2CMA101160R1000		
	Blue	208...250		432EC9W	2CMA101161R1000		
	Red	440...460	60	432EC11W	2CMA101162R1000		



#### Dimensions (mm)

Type	A	B	Dmax
232EC...W	195	98	22
332EC...W	195	98	22
432EC...W	195	104	22

## Inlets

for wall mounting, IP67

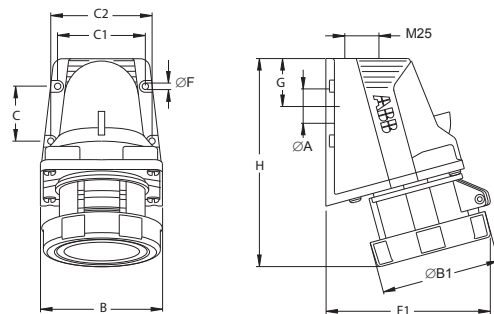


216EBS6W

### 16 A. Watertight

Housing in plastic (PA). Cable gland included. Cable area 1...2.5 mm<sup>2</sup>

Terminals/ Poles	Color code	Voltage V	Frequency Hz	Type	Order Code	Pkg qty	Weight
							pkg (1pce) kg
<b>2P+E</b>							
3	Grey		AC	216EBS1W	2CMA101163R1000	10	0.20
	Yellow	100...130	50 and 60	216EBS4W	2CMA101165R1000		
	Blue	200...250		216EBS6W	2CMA101166R1000		
	Red	380...415		216EBS9W	2CMA101167R1000		
	Grey	transf		216EBS12W	2CMA101168R1000		
<b>3P+E</b>							
4	Grey		AC	316EBS1W	2CMA101169R1000	10	0.23
	Green	> 50 V~	>300...500	316ESB2W	2CMA101170R1000		
	Red	380/440	50/60	316ESB3W	2CMA101171R1000		
	Yellow	100...130	50 and 60	316EBS4W	2CMA101172R1000		
	Black	600...690		316EBS5W	2CMA101173R1000		
	Red	380...415		316EBS6W	2CMA101174R1000		
	Black	480...500		316EBS7W	2CMA101175R1000		
	Blue	200...250		316EBS9W	2CMA101176R1000		
	Green	> 50 V~	100...300	316EBS10W	2CMA101177R1000		
	Red	440...460	60	316EBS11W	2CMA101178R1000		
	<b>3P+N+E</b>						
5	Grey		AC	416EBS1W	2CMA101179R1000	10	0.25
	Green	> 50 V~	>300...500	416EBS2W	2CMA101180R1000		
	Red	380...440	50/60	416EBS3W	2CMA101181R1000		
	Yellow	100...130	50 and 60	416EBS4W	2CMA101182R1000		
	Red	346...415		416EBS6W	2CMA101183R1000		
	Black	480...500		416EBS7W	2CMA101184R1000		
	Blue	208...250		416EBS9W	2CMA101185R1000		
	Red	440...460	60	416EBS11W	2CMA101186R1000		



### Dimensions (mm)

Type	A	B	C	C1	C2	E1	ØF	G	H
216EBS...W	25	88.5	40	63.5	73.5	112	4.5	34.75	135
316EBS...W	25	88.5	40	63.5	73.5	108	4.5	34.75	138
416EBS...W	25	88.5	40	63.5	73.5	112	4.5	34.75	140

## Inlets

for wall mounting, IP67

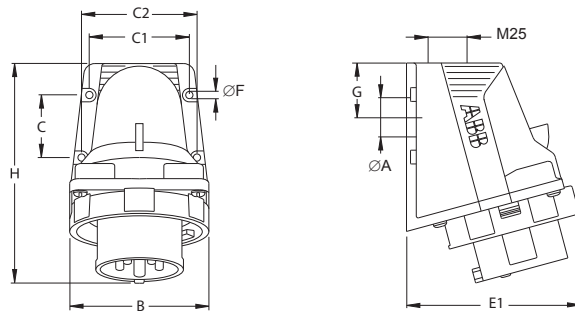


432EBS6W

### 32 A. Watertight

Housing in plastic (PA). Cable gland included. Cable area 2.5...6 mm<sup>2</sup>

Terminals/ Poles	Color code	Voltage V	Frequency Hz	Type	Order Code	Pkg qty	Weight
							pkg (1pce)
							kg
<b>2P+E</b>							
3	Grey		AC	232EBS1W	2CMA101187R1000	10	0.26
	Yellow	100...130	50 and 60	232EBS4W	2CMA101188R1000		
	Blue	200...250		232EBS6W	2CMA101189R1000		
	Red	380...415		232EBS9W	2CMA101190R1000		
	Grey	transf		232EBS12W	2CMA101191R1000		
<b>3P+E</b>							
4	Grey		AC	332EBS1W	2CMA101192R1000	10	0.27
	Green	> 50 V~	>300...500	332EBS2W	2CMA101193R1000		
	Red	380/440	50/60	332EBS3W	2CMA101194R1000		
	Yellow	100...130	50 and 60	332EBS4W	2CMA101195R1000		
	Black	600...690		332EBS5W	2CMA101196R1000		
	Red	380...415		332EBS6W	2CMA101197R1000		
	Black	480...500		332EBS7W	2CMA101198R1000		
	Blue	200...250		332EBS9W	2CMA101199R1000		
	Green	> 50 V~	100...300	332EBS10W	2CMA101200R1000		
	Red	440...460	60	332EBS11W	2CMA101201R1000		
	<b>3P+N+E</b>						
5	Grey		AC	432EBS1W	2CMA101202R1000	10	0.28
	Green	> 50 V~	>300...500	432EBS2W	2CMA101203R1000		
	Red	380...440	50/60	432EBS3W	2CMA101204R1000		
	Yellow	100...130	50 and 60	432EBS4W	2CMA101205R1000		
	Red	346...415		432EBS6W	2CMA101206R1000		
	Black	480...500		432EBS7W	2CMA101207R1000		
	Blue	208...250		432EBS9W	2CMA101208R1000		
	Red	440...460	60	432EBS11W	2CMA101209R1000		



### Dimensions (mm)

Type	A	B	C	C1	C2	E1	ØF	G	H
232EBS...W	25	91	40	63.5	73.5	106	4.5	34.75	150
332EBS...W	25	91	40	63.5	73.5	106	4.5	34.75	150
432EBS...W	25	99	40	63.5	73.5	110	4.5	34.75	152

## Inlets

for panel mounting with unified straight flange, IP67

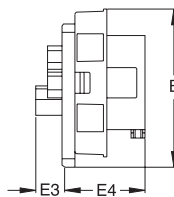
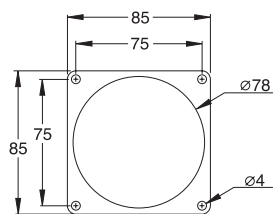


216EBU6W

### 16 A. Watertight

Housing in plastic (PA). Cable area 1...2.5 mm<sup>2</sup>

Terminals/ Poles	Color code	Voltage V	Frequency Hz	Type	Order Code	Pkg qty	Weight
							pkg (1pce) kg
<b>2P+E</b>							
3	Grey		AC	216EBU1W	2CMA101257R1000	10	0.11
	Yellow	100...130	50 and 60	216EBU4W	2CMA101258R1000		
	Blue	200...250		216EBU6W	2CMA101259R1000		
	Red	380...415		216EBU9W	2CMA101260R1000		
<b>3P+E</b>							
4	Grey		AC	316EBU1W	2CMA101261R1000	10	0.14
	Yellow	100...130	50 and 60	316EBU4W	2CMA101262R1000		
	Black	600...690		316EBU5W	2CMA101263R1000		
	Red	380...415		316EBU6W	2CMA101264R1000		
	Black	480...500		316EBU7W	2CMA101265R1000		
	Blue	200...250		316EBU9W	2CMA101266R1000		
	Red	440...460	60	316EBU11W	2CMA101267R1000		
<b>3P+N+E</b>							
5	Grey		AC	416EBU1W	2CMA101268R1000	10	0.16
	Yellow	100...130	50 and 60	416EBU4W	2CMA101269R1000		
	Red	346...415		416EBU6W	2CMA101270R1000		
	Black	480...500		416EBU7W	2CMA101271R1000		
	Blue	208...250		416EBU9W	2CMA101812R1000		
	Red	440...460	60	416EBU11W	2CMA101272R1000		



### Dimensions (mm)

Type	B	E3	E4
216EBU...W	94	17	48.5
316EBU...W	90	17	48.5
416EBU...W	93.5	17	48.5

## Inlets

for panel mounting with unified straight flange, IP67

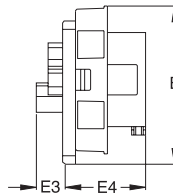
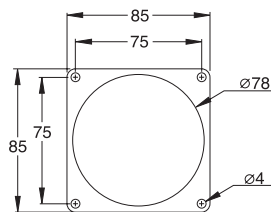


432EBU6W

### 32 A. Watertight

Housing in plastic (PA). Cable area 2.5...6 mm<sup>2</sup>

Terminals/ Poles	Color code	Voltage V	Frequency Hz	Type	Order Code	Pkg qty	Weight
							pkg (1pce) kg
<b>2P+E</b>							
3	Grey		AC	232EBU1W	2CMA101273R1000	10	0.17
	Yellow	100...130	50 and 60	232EBU4W	2CMA101274R1000		
	Blue	200...250		232EBU6W	2CMA101275R1000		
	Red	380...415		232EBU9W	2CMA101813R1000		
<b>3P+E</b>							
4	Grey		AC	332EBU1W	2CMA101276R1000	10	0.18
	Red	380/440	50/60	332EBU3W	2CMA101277R1000		
	Yellow	100...130	50 and 60	332EBU4W	2CMA101278R1000		
	Red	380...415		332EBU6W	2CMA101279R1000		
	Black	480...500		332EBU7W	2CMA101280R1000		
	Blue	200...250		332EBU9W	2CMA101281R1000		
	Red	440...460	60	332EBU11W	2CMA101282R1000		
<b>3P+N+E</b>							
5	Grey		AC	432EBU1W	2CMA101283R1000	10	0.19
	Yellow	100...130	50 and 60	432EBU4W	2CMA101284R1000		
	Red	346...415		432EBU6W	2CMA101285R1000		
	Black	480...500		432EBU7W	2CMA101286R1000		
	Blue	208...250		432EBU9W	2CMA101287R1000		
	Red	440...460	60	432EBU11W	2CMA101288R1000		



### Dimensions (mm)

Type	B	E3	E4
232EBU...W	91	16	58
332EBU...W	91	16	58
432EBU...W	99	16	58



## Socket outlet

for wall mounting, IP67

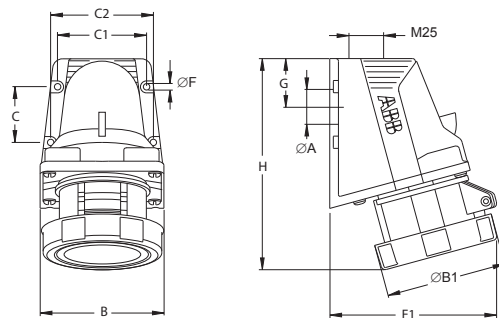


216ERS6W

### 16 A. Watertight

Housing in plastic (PA). Cable gland included. Cable area 1.5...4 mm<sup>2</sup>

Terminals/ Poles	Color code	Voltage V	Frequency Hz	Type	Order Code	Pkg qty	Weight
							pkg (1pce)
							kg
<b>2P+E</b>							
3	Grey		AC	216ERS1W	2CMA101210R1000	10	0.24
	Yellow	100...130	50 and 60	216ERS4W	2CMA101212R1000		
	Blue	200...250		216ERS6W	2CMA101213R1000		
	Red	380...415		216ERS9W	2CMA101214R1000		
	Grey	transf		216ERS12W	2CMA101215R1000		
<b>3P+E</b>							
4	Grey		AC	316ERS1W	2CMA101216R1000	10	0.27
	Green	> 50 V~	>300...500	316ERB2W	2CMA101217R1000		
	Red	380/440	50/60	316ERS3W	2CMA101218R1000		
	Yellow	100...130	50 and 60	316ERS4W	2CMA101219R1000		
	Black	600...690		316ERS5W	2CMA101220R1000		
	Red	380...415		316ERS6W	2CMA101221R1000		
	Black	480...500		316ERS7W	2CMA101222R1000		
	Blue	200...250		316ERS9W	2CMA101223R1000		
	Green	> 50 V~	100...300	316ERS10W	2CMA101224R1000		
	Red	440...460	60	316ERS11W	2CMA101225R1000		
	<b>3P+N+E</b>						
5	Grey		AC	416ERS1W	2CMA101226R1000	10	0.30
	Green	> 50 V~	>300...500	416ERS2W	2CMA101227R1000		
	Red	380...440	50/60	416ERS3W	2CMA101228R1000		
	Yellow	100...130	50 and 60	416ERS4W	2CMA101229R1000		
	Red	346...415		416ERS6W	2CMA101230R1000		
	Black	480...500		416ERS7W	2CMA101231R1000		
	Blue	208...250		416ERS9W	2CMA101232R1000		
	Red	440...460	60	416ERS11W	2CMA101233R1000		



Dimensions (mm)

Type	A	B	ØB1	C	C1	C2	E1	ØF	G	H
216ERS...W	25	88.5	73	40	63.5	73.5	112	4.5	34.75	147
316ERS...W	25	88.5	81	40	63.5	73.5	117	4.5	34.75	150
416ERS...W	25	88.5	87	40	63.5	73.5	119	4.5	34.75	151

## Socket outlet

for wall mounting, IP67

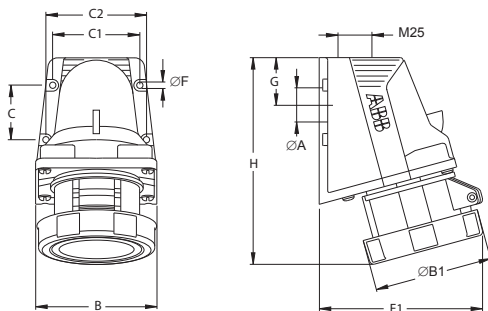


432ERS6W

### 32 A. Watertight

Housing in plastic (PA). Cable gland included. Cable area 2.5...10 mm<sup>2</sup>

Terminals/ Poles	Color code	Voltage V	Frequency Hz	Type	Order Code	Pkg qty	Weight
							pkg (1pce) kg
<b>2P+E</b>							
3	Grey		AC	232ERS1W	2CMA101234R1000	10	0.31
	Yellow	100...130	50 and 60	232ERS4W	2CMA101235R1000		
	Blue	200...250		232ERS6W	2CMA101236R1000		
	Red	380...415		232ERS9W	2CMA101237R1000		
	Grey	transf		232ERS12W	2CMA101238R1000		
<b>3P+E</b>							
4	Grey		AC	332ERS1W	2CMA101239R1000	10	0.32
	Green	> 50 V~	>300...500	332ERS2W	2CMA101240R1000		
	Red	380/440	50/60	332ERS3W	2CMA101241R1000		
	Yellow	100...130	50 and 60	332ERS4W	2CMA101242R1000		
	Black	600...690		332ERS5W	2CMA101243R1000		
	Red	380...415		332ERS6W	2CMA101244R1000		
	Black	480...500		332ERS7W	2CMA101245R1000		
	Blue	200...250		332ERS9W	2CMA101246R1000		
	Green	> 50 V~	100...300	332ERS10W	2CMA101248R1000		
	Red	440...460	60	332ERS11W	2CMA101247R1000		
	<b>3P+N+E</b>						
5	Grey		AC	432ERS1W	2CMA101249R1000	10	0.32
	Green	> 50 V~	>300...500	432ERS2W	2CMA101250R1000		
	Red	380...440	50/60	432ERS3W	2CMA101251R1000		
	Yellow	100...130	50 and 60	432ERS4W	2CMA101252R1000		
	Red	346...415		432ERS6W	2CMA101253R1000		
	Black	480...500		432ERS7W	2CMA101254R1000		
	Blue	208...250		432ERS9W	2CMA101255R1000		
	Red	440...460	60	432ERS11W	2CMA101256R1000		



### Dimensions (mm)

Type	A	B	ØB1	C	C1	C2	E1	ØF	G	H
232ERS...W	25	88.5	91	40	63.5	73.5	117	4.5	34.75	163
332ERS...W	25	88.5	91	40	63.5	73.5	117	4.5	34.75	163
432ERS...W	25	88.5	99	40	63.5	73.5	120	4.5	34.75	164

## Socket outlet

for wall mounting, IP67

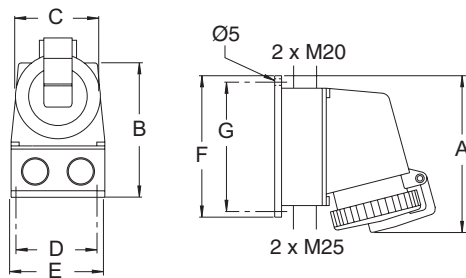


216ERT6W

### 16 A. Watertight

Housing in plastic (PBT). Cable entry with knock-outs 2xM20 on top and 2xM25 on bottom. Cable area 1.5...4 mm<sup>2</sup>

Terminals/ Poles	Color code	Voltage V	Frequency Hz	Type	Order Code	Pkg qty	Weight
							pkg (1pce)
							kg
<b>2P+E</b>							
3	Yellow	100...130	50 and 60	216ERT4W	2CMA101728R1000	1	0.33
	Blue	200...250		216ERT6W	2CMA101729R1000		
	Red	380...415	216ERT9W	2CMA101776R1000			
	Grey	transf.	216ERT12W	2CMA101777R1000			
<b>3P+E</b>							
4	Green	> 50 V~	>300...500	316ERT2W	2CMA101778R1000	1	0.35
	Yellow	100...130	50 and 60	316ERT4W	2CMA101779R1000		
	Black	600...690		316ERT5W	2CMA101780R1000		
	Red	380...415	316ERT6W	2CMA101730R1000			
	Black	480...500	316ERT7W	2CMA101781R1000			
	Blue	200...250	316ERT9W	2CMA101731R1000			
	Green	> 50 V~	100...300	316ERT10W	2CMA101782R1000		
	Red	440...460	60	316ERT11W	2CMA101732R1000		
	Grey	transf.	316ERT12W	2CMA101783R1000			
<b>3P+N+E</b>							
5	Yellow	100...130	50 and 60	416ERT4W	2CMA101784R1000	1	0.39
	Red	346...415		416ERT6W	2CMA101733R1000		
	Black	480...500	416ERT7W	2CMA101785R1000			
	Blue	208...250	416ERT9W	2CMA101786R1000			
	Green	> 50 V~	100...300	416ERT10W	2CMA101787R1000		
	Red	440...460	60	416ERT11W	2CMA101788R1000		



### Dimensions (mm)

Type	A	B	C	D	E	F	G
216ERT...W...416ERT...W	134	139	82	71	80	120	111

## Socket outlet

for wall mounting, IP67

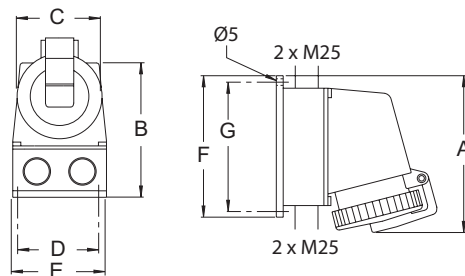


432ERT6W

### 32 A. Watertight

Housing in plastic (PBT). Cable entry with knock-outs 2xM20 on bottom and 2xM25 on top. Cable area 2.5...10 mm<sup>2</sup>

Terminals/ Poles	Color code	Voltage V	Frequency Hz	Type	Order Code	Pkg qty	Weight
							pkg (1pce) kg
<b>2P+E</b>							
3	Yellow	100...130	50 and 60	232ERT4W	2CMA101790R1000	1	0.37
	Blue	200...250		232ERT6W	2CMA101791R1000		
	Red	380...415		232ERT9W	2CMA101792R1000		
	Grey	transf.		232ERT12W	2CMA101793R1000		
<b>3P+E</b>							
4	Green	> 50 V~	>300...500	332ERT2W	2CMA101794R1000	1	0.42
	Red	380/440	50/60	332ERT3W	2CMA101734R1000		
	Yellow	100...130	50 and 60	332ERT4W	2CMA101795R1000		
	Black	600...690		332ERT5W	2CMA101796R1000		
	Red	380...415		332ERT6W	2CMA101735R1000		
	Black	480...500		332ERT7W	2CMA101797R1000		
	Blue	200...250		332ERT9W	2CMA101736R1000		
	Green	> 50 V~	100...300	332ERT10W	2CMA101798R1000		
	Red	440...460	60	332ERT11W	2CMA101737R1000		
	Grey	transf.		332ERT12W	2CMA101799R1000		
<b>3P+N+E</b>							
	Green	> 50 V~	>300...500	432ERT2W	2CMA101800R1000	1	0.47
	Yellow	100...130	50 and 60	432ERT4W	2CMA101801R1000		
	Red	346...415		432ERT6W	2CMA101738R1000		
	Black	480...500		432ERT7W	2CMA101802R1000		
	Blue	208...250		432ERT9W	2CMA101803R1000		
	Red	440...460	60	432ERT11W	2CMA101804R1000		



### Dimensions (mm)

Type	A	B	C	D	E	F	G
232ERT...W...332ERT...W	140	143	88	71	80	120	111
432ERT...W	142	146	95	71	80	120	111

## Socket outlet

for wall mounting, IP67

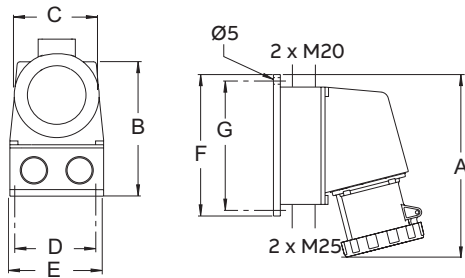


463ERT6W

### 63 A. Watertight

Housing in plastic (PBT). Cable entry with knock-outs 2 x M32/M40 + 1 x M20 on top. 1 x M20 + 1 x M32/M40 on bottom. Cable area 6...25 mm<sup>2</sup>

Terminals/ Poles	Color code	Voltage	Frequency	Type	Order Code	Pkg qty	Weight
		V	Hz				pkg (1pce) kg
<b>3P+E</b>							
4	Black	600...690	50 and 60	363ERT5W	2CMA101898R1000	1	1.45
	Red	380...415		363ERT6W	2CMA101899R1000		
	Black	480...500		363ERT7W	2CMA101900R1000		
	Blue	200...250	363ERT9W	2CMA101901R1000			
	Red	440...460	60	363ERT11W	2CMA101902R1000		
<b>3P+N+E</b>							
5	Red	346...415	50 and 60	463ERT6W	2CMA101896R1000	1	1.55
	Blue	208...250		463ERT9W	2CMA101897R1000		



### Dimensions (mm)

Type	A	B	C	D	E	F	G
263ERT...W...463ERT...W	255	215	108	129	150	187	124

## Socket outlet

for panel mounting with unified straight flange, IP67

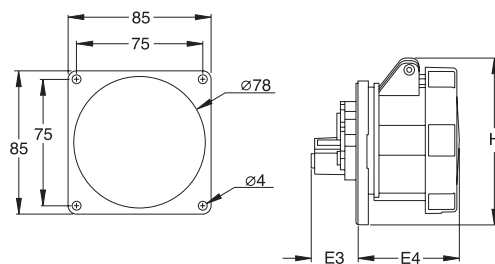


216ERU6W

### 16 A. Watertight

Housing in plastic (PA). Cable area 1.5...4 mm<sup>2</sup>

Terminals/ Poles	Color code	Voltage V	Frequency Hz	Type	Order Code	Pkg qty	Weight	
							pkg (1pce) kg	
<b>2P+E</b>								
3	Grey		AC	216ERU1W	2CMA101289R1000	10	0.15	
	Yellow	100...130	50 and 60	216ERU4W	2CMA101290R1000			
	Blue	200...250		216ERU6W	2CMA101291R1000			
	Red	380...415		216ERU9W	2CMA101292R1000			
<b>3P+E</b>								
4	Grey		AC	316ERU1W	2CMA101293R1000	10	0.18	
	Yellow	100...130	50 and 60	316ERU4W	2CMA101294R1000			
	Black	600...690		316ERU5W	2CMA101295R1000			
	Red	380...415		316ERU6W	2CMA101296R1000			
	Black	480...500		316ERU7W	2CMA101297R1000			
	Blue	200...250		316ERU9W	2CMA101298R1000			
5	Red	440...460	60	316ERU11W	2CMA101299R1000			
	<b>3P+N+E</b>							
	5	Grey		AC	416ERU1W	2CMA101300R1000	10	0.21
		Yellow	100...130	50 and 60	416ERU4W	2CMA101301R1000		
Red		346...415		416ERU6W	2CMA101302R1000			
Black		480...500		416ERU7W	2CMA101303R1000			
Blue		208...250		416ERU9W	2CMA101304R1000			
Red		440...460	60	416ERU11W	2CMA101305R1000			



### Dimensions (mm)

Type	B	E3	E4
216ERU...W	103	27	60
316ERU...W	98	28	60
416ERU...W	99	28	60

## Socket outlet

for panel mounting with unified straight flange, IP67

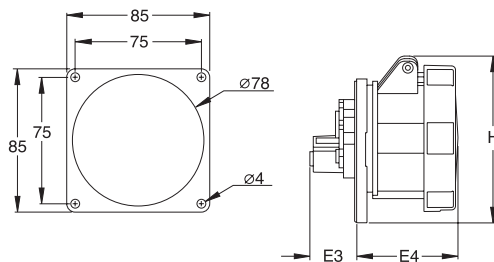


432ERU6W

### 32 A. Watertight

Housing in plastic (PA). Cable area 2.5...10 mm<sup>2</sup>

Terminals/ Poles	Color code	Voltage V	Frequency Hz	Type	Order Code	Pkg qty	Weight			
							pkg (1pce) kg			
<b>2P+E</b>										
3	Grey		AC	232ERU1W	2CMA101306R1000	10	0.22			
	Yellow	100...130	50 and 60	232ERU4W	2CMA101307R1000					
	Blue	200...250		232ERU6W	2CMA101308R1000					
	Red	380...415		232ERU9W	2CMA101309R1000					
<b>3P+E</b>										
4	Grey		AC	332ERU1W	2CMA101310R1000	10	0.23			
	Red	380/440	50/60	332ERU3W	2CMA101311R1000					
	Yellow	100...130	50 and 60	332ERU4W	2CMA101312R1000					
	Red	380...415		332ERU6W	2CMA101313R1000					
	Black	480...500		332ERU7W	2CMA101314R1000					
	Blue	200...250		332ERU9W	2CMA101315R1000					
5	Red	440...460	60	332ERU11W	2CMA101316R1000	10	0.23			
	<b>3P+N+E</b>									
	5	Grey		AC	432ERU1W			2CMA101317R1000	10	0.23
		Yellow	100...130	50 and 60	432ERU4W			2CMA101318R1000		
		Red	346...415		432ERU6W			2CMA101319R1000		
Black		480...500		432ERU7W	2CMA101320R1000					
Blue		208...250		432ERU9W	2CMA101321R1000					
Red	440...460	60	432ERU11W	2CMA101322R1000						



Dimensions (mm)

Type	B	E3	E4
232ERU...W	98	31	70
332ERU...W	98	31	70
432ERU...W	104	32	69

## Phase inverters

IP44



416EPFV6

**Phase Inverter Plug. 16A, IP44. Splashproof**  
Housing in plastic (PA). Cable area 1...2.5 mm<sup>2</sup>

Terminals/ Poles	Color code	Voltage	Frequency	Type	Order Code	Pkg qty	Weight
		V	Hz				pkg (1pce) kg
<b>3P+N+E</b>							
5	Red	346...415	50 and 60	416EPFV6	2CMA106228R1000	10	0.19



416BUFV6

**Phase Inverter Panel mounted inlet with unified straight flange. 16A, IP44. Splashproof**  
Housing in plastic (PA). Cable area 1...2.5 mm<sup>2</sup>

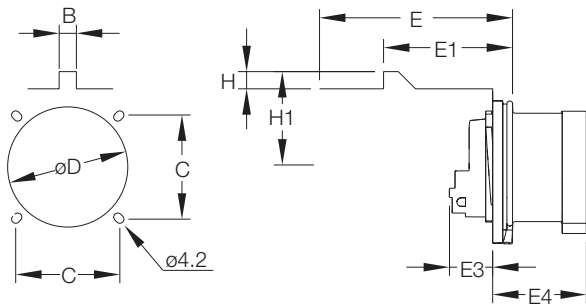
Terminals/ Poles	Color code	Voltage	Frequency	Type	Order Code	Pkg qty	Weight
		V	Hz				pkg (1pce) kg
<b>3P+N+E</b>							
5	Red	346...415	50 and 60	416BUFV6	2CMA168159R1000	10	0.19



416BSFV6

**Phase Inverter surface inlets for wall mounting. 16A, IP44. Splashproof**  
Housing in plastic (PA). Cable area 1...2.5 mm<sup>2</sup>

Terminals/ Poles	Color code	Voltage	Frequency	Type	Order Code	Pkg qty	Weight
		V	Hz				pkg (1pce) kg
<b>3P+N+E</b>							
5	Red	346...415	50 and 60	416BSFV6	2CMA168169R1000	10	0.19

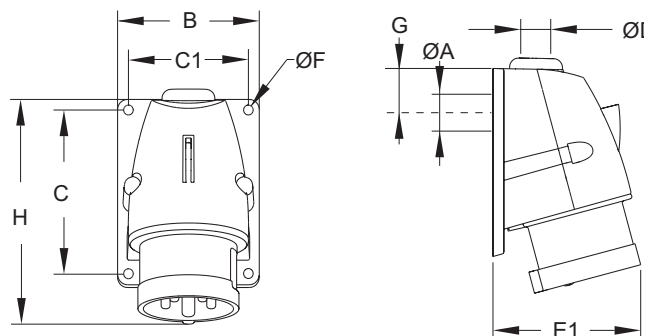
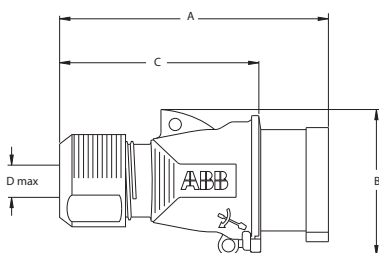


Dimensions (mm)

Type	B	C	D	E	E1	E3	E4	H	H1
416BUFV6	9	60-61	59	90	52.5	21.0	46.5	7	38.0

Type	A	B	C	C1	Dmax	E1	F	G	H
416EPFV6	23	66	75	54	18/M20				
416BSFV6	23	79	91	67	18/M20	81	5.5	30	125





# Industrial plugs and sockets for entertainment applications

## Plugs



Type EP...B, 16 A...32 A, IP44

## Connectors



Type EC...B, 16 A...32 A, IP44

## Inlets



For wall mounting, Type BS...B  
16 A...32 A, IP44

## Socket outlet



For wall mounting, Type RS...B  
16 A...32 A, IP44



For panel mounting with unified  
straight flange, Type RU...B  
16 A...32 A, IP44



For panel mounting with minimized  
angled flange, Type RAM...B  
16 A...32 A, IP44

## Black plugs and sockets for entertainment applications

With extensive experience of designing and producing industrial plugs and sockets, Amphenol can provide products of high quality, functionality, reliability and safety. Regardless of the situation, safety of people should be of highest priority in electrical installations, always.

Amphenol's series of black plugs and sockets which are very well suited for entertainment applications, such as concerts, cinemas, television studios, and open-air events. The black series are perfect for both indoor and outdoor use, they will blend into their dark surroundings.

Pin and sleeve configuration according to IEC standard. Product labels give the information on which voltage range the product is intended for. The black series assure the high quality level that characterizes Amphenol's industrial plugs & sockets.



## Plug in black color

for entertainment applications, IP44



316EP6B

### 16 A. Splashproof

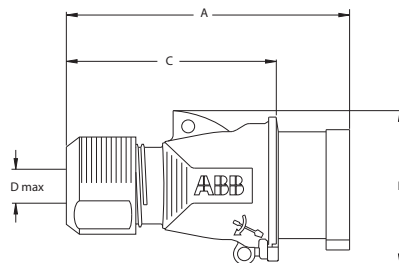
Housing in plastic (PA). Cable area 1...2.5 mm<sup>2</sup>

Terminals/ Poles	Color code	Voltage	Frequency	Type	Order Code	Pkg qty	Weight
		V	Hz				pkg (1pce) kg
<b>2P+E</b>							
3	Blue	200...250	50 and 60	216EP6B	2CMA103579R1000	10	0.11
	Red	380...415		216EP9B			
<b>3P+E</b>							
4	Red	380...415	50 and 60	316EP6B	2CMA103584R1000	10	0.16
	Blue	200...250		316EP9B			
<b>3P+N+E</b>							
5	Red	346...415	50 and 60	416EP6B	2CMA103591R1000	10	0.18
	Blue	208...250		416EP9B			

### 32 A. Splashproof

Housing in plastic (PA). Cable area 2.5...6 mm<sup>2</sup>

Terminals/ Poles	Color code	Voltage	Frequency	Type	Order Code	Pkg qty	Weight
		V	Hz				pkg (1pce) kg
<b>2P+E</b>							
3	Blue	200...250	50 and 60	232EP6B	2CMA103581R1000	10	0.21
	Red	380...415		232EP9B			
<b>3P+E</b>							
4	Red	380...415	50 and 60	332EP6B	2CMA103588R1000	10	0.23
	Blue	200...250		332EP9B			
<b>3P+N+E</b>							
5	Red	346...415	50 and 60	432EP6B	2CMA103593R1000	10	0.24
	Blue	208...250		432EP9B			



Dimensions (mm)

Type	A	B	C	Dmax
216EP...B	127	62.5	88.5	14
316EP...B	144	74.5	106	17
416EP...B	144	78	106	17
232EP...B	167	82.5	121	22
332EP...B	167	82.5	121	22
432EP...B	167	87.5	121	22

## Connector in black color

for entertainment applications, IP44



316EC6B

### 16 A. Splashproof

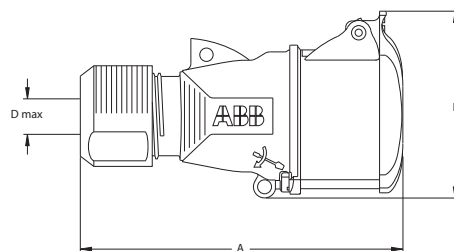
Housing in plastic (PA). Cable area 1...2.5 mm<sup>2</sup>

Terminals/ Poles	Color code	Voltage	Frequency	Type	Order Code	Pkg qty	Weight
		V	Hz				pkg (1pce) kg
<b>2P+E</b>							
3	Blue	200...250	50 and 60	216EC6B	2CMA103578R1000	10	0.11
	Red	380...415		216EC9B			
<b>3P+E</b>							
4	Red	380...415	50 and 60	316EC6B	2CMA103582R1000	10	0.16
	Blue	200...250		316EC9B			
<b>3P+N+E</b>							
5	Red	346...415	50 and 60	416EC6B	2CMA103590R1000	10	0.17
	Blue	208...250		416EC9B			

### 32 A. Splashproof

Housing in plastic (PA). Cable area 2.5...6 mm<sup>2</sup>

Terminals/ Poles	Color code	Voltage	Frequency	Type	Order Code	Pkg qty	Weight
		V	Hz				pkg (1pce) kg
<b>2P+E</b>							
3	Blue	200...250	50 and 60	232EC6B	2CMA103580R1000	10	0.20
	Red	380...415		232EC9B			
<b>3P+E</b>							
4	Red	380...415	50 and 60	332EC6B	2CMA103586R1000	10	0.22
	Blue	200...250		332EC9B			
<b>3P+N+E</b>							
5	Red	346...415	50 and 60	432EC6B	2CMA103592R1000	10	0.23
	Blue	208...250		432EC9B			



### Dimensions (mm)

Type	A	B	Dmax
216EC...B	135.5	74.5	14
316EC...B	155	87	17
416EC...B	156	90.5	17
232EC...B	182	93.5	22
332EC...B	182	93.5	22
432EC...B	182.5	99	22

## Inlets for wall mounting in black color

for entertainment applications, IP44



316BS6B

### 16 A. Splashproof

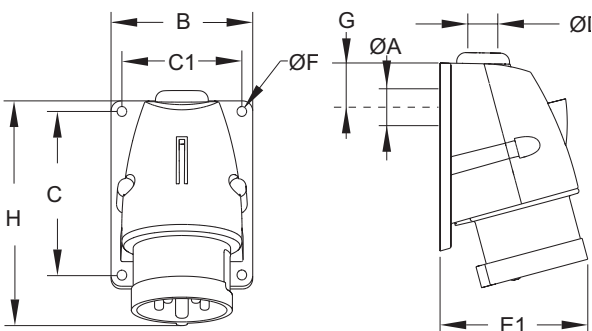
Housing in plastic (PA). Flexible membrane and metric threaded M20 insert for top cable entry. Rear knock-out cable entry. Cable area 1...2.5 mm<sup>2</sup>

Terminals/ Poles	Color code	Voltage	Frequency	Type	Order Code	Pkg qty	Weight
		V	Hz				pkg (1pce) kg
<b>2P+E</b>							
3	Blue	200...250	50 and 60	216BS6B	2CMA101027R1000	10	0.15
	Red	380...415		216BS9B			
<b>3P+E</b>							
4	Red	380...415	50 and 60	316BS6B	2CMA101028R1000	10	0.19
	Blue	200.250		316BS9B			
<b>3P+N+E</b>							
5	Red	346...415		416BS6B	2CMA101029R1000	10	0.20
	Blue	208...250		416BS9B			

### 32 A. IP44. Splashproof

Housing in plastic (PA). Flexible membrane and metric threaded M25 insert for top cable entry. Rear knock-out cable entry. Cable area 2.5...6 mm<sup>2</sup>

Terminals/ Poles	Color code	Voltage	Frequency	Type	Order Code	Pkg qty	Weight
		V	Hz				pkg (1pce) kg
<b>2P+E</b>							
3	Blue	200...250	50 and 60	232BS6B	2CMA101030R1000	10	0.25
	Red	380...415		232BS9B			
<b>3P+E</b>							
4	Red	380...415	50 and 60	332BS6B	2CMA101031R1000	10	0.27
	Blue	200...250		332BS9B			
<b>3P+N+E</b>							
5	Red	346...415	50 and 60	432BS6B	2CMA101032R1000	10	0.29
	Blue	208...250		432BS9B			



Dimensions (mm)

Type	A	B	C	C1	Dmax	E1	F	G	H
216BS...B	23	66	75	54	18/M20	72	5.5	27	110
316BS...B	23	79	91	67	18/M20	78	5.5	30	124
416BS...B	23	79	91	67	18/M20	81	5.5	30	125
232BS...B	29	85	111	72	22/M25	94	5.5	34	153
332BS...B	29	85	111	72	22/M25	94	5.5	34	153
432BS...B	29	85	111	72	22/M25	96	5.5	34	154

## Socket outlet for wall mounting in black color

for entertainment applications, IP44



316RS6B

### 16 A. Splashproof

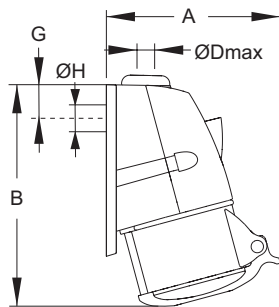
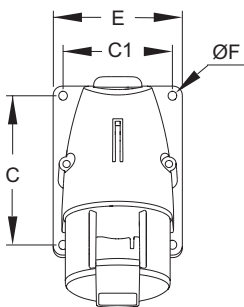
Housing in plastic (PA). Flexible membrane and metric threaded M20 insert for top cable entry. Rear knock-out cable entry. Cable area 1.5...4 mm<sup>2</sup>

Terminals/ Poles	Color code	Voltage	Frequency	Type	Order Code	Pkg qty	Weight
		V	Hz				pkg (1pce) kg
<b>2P+E</b>							
3	Blue	200...250	50 and 60	216RS6B	2CMA101021R1000	10	0.22
	Red	380...415		216RS9B			
<b>3P+E</b>							
4	Red	380...415	50 and 60	316RS6B	2CMA101022R1000	10	0.24
	Blue	200...250		316RS9B			
<b>3P+N+E</b>							
5	Red	346...415		416RS6B	2CMA101023R1000	10	0.26
	Blue	208...250		416RS9B			

### 32 A. Splashproof

Housing in plastic (PA). Flexible membrane and metric threaded M25 insert for top cable entry. Rear knock-out cable entry. Cable area 2.5...10 mm<sup>2</sup>

Terminals/ Poles	Color code	Voltage	Frequency	Type	Order Code	Pkg qty	Weight
		V	Hz				pkg (1pce) kg
<b>2P+E</b>							
3	Blue	200...250	50 and 60	232RS6B	2CMA101024R1000	10	0.30
	Red	380...415		232RS9B			
<b>3P+E</b>							
4	Red	380...415	50 and 60	332RS6B	2CMA101025R1000	10	0.32
	Blue	200...250		332RS9B			
<b>3P+N+E</b>							
5	Red	346...415	50 and 60	432RS6B	2CMA101026R1000	10	0.34
	Blue	208...250		432RS9B			



Dimensions (mm)

Type	A	B	C	C1	Dmax	E	F	G	H
216RS...B	91	117	75	54	18/M20	66	5.5	27	23
316RS...B	100	132	91	67	18/M20	79	5.5	30	23
416RS...B	104	134	91	67	18/M20	79	5.5	30	23
232RS...B	118	163	111	72	22/M25	85	5.5	34	29
332RS...B	116	163	111	72	22/M25	85	5.5	34	29
432RS...B	121	164	111	72	22/M25	85	5.5	34	29

## Socket outlet for panel mounting in black color

for entertainment applications, with unified straight flange, IP44



216RU6B

### 16 A. Splashproof

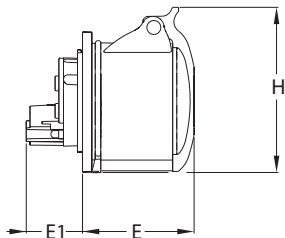
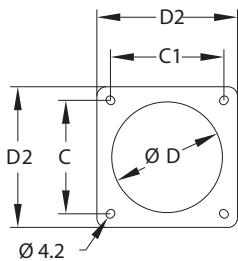
Housing in plastic (PA). Cable area 1.5...4 mm<sup>2</sup>

Terminals/ Poles	Color code	Voltage	Frequency	Type	Order Code	Pkg qty	Weight
		V	Hz				pkg (1pce) kg
<b>2P+E</b>							
3	Blue	200...250	50 and 60	216RU6B	2CMA101639R1000	10	0.15
<b>3P+N+E</b>							
5	Red	346...415	50 and 60	416RU6B	2CMA101640R1000	10	0.20

### 32 A. IP44. Splashproof

Housing in plastic (PA). Cable area 2.5...10 mm<sup>2</sup>

Terminals/ Poles	Color code	Voltage	Frequency	Type	Order Code	Pkg qty	Weight
		V	Hz				pkg (1pce) kg
<b>3P+N+E</b>							
5	Red	346...415	50 and 60	432RU6B	2CMA101641R1000	10	0.24



Dimensions (mm)

Type	C	C1	D	D2	E	E1	H
216RU6B	60-61	60-61	49	75	56	29	79
416RU6B	60-61	60-61	59	75	60	31	89
432RU6B	60-61	60-61	66	75	71	34	99

## Socket outlet for panel mounting in black color

for entertainment applications, with minimized angled flange IP44



316RAM6B

### 16 A. Splashproof

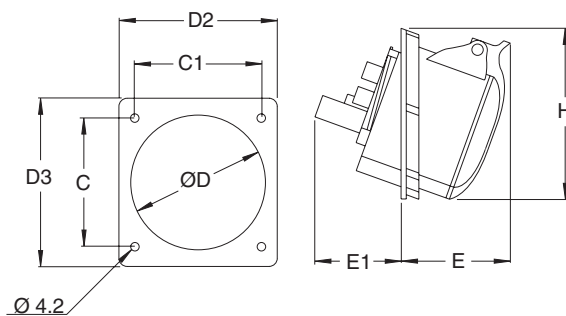
Housing in plastic (PA). Cable area 1.5...4 mm<sup>2</sup>

Terminals/ Poles	Color code	Voltage	Frequency	Type	Order Code	Pkg qty	Weight
		V	Hz				pkg (1pce) kg
<b>2P+E</b>							
3	Blue	200...250	50 and 60	216RAM6B	2CMA100543R1000	10	0.21
	Red	380...415		216RAM9B	2CMA101048R1000		
<b>3P+E</b>							
4	Red	380...415	50 and 60	316RAM6B	2CMA100544R1000	10	0.22
	Blue	200...250		316RAM9B	2CMA100873R1000		
<b>3P+N+E</b>							
5	Red	346...415	50 and 60	416RAM6B	2CMA100545R1000	10	0.24
	Blue	208...250		416RAM9B	2CMA101049R1000		

### 32 A. Splashproof

Housing in plastic (PA). Cable area 2.5...10 mm<sup>2</sup>

Terminals/ Poles	Color code	Voltage	Frequency	Type	Order Code	Pkg qty	Weight
		V	Hz				pkg (1pce) kg
<b>2P+E</b>							
3	Blue	200...250	50 and 60	232RAM6B	2CMA100546R1000	10	0.21
	Red	380...415		232RAM9B	2CMA101050R1000		
<b>3P+E</b>							
4	Red	380...415	50 and 60	332RAM6B	2CMA100547R1000	10	0.22
	Blue	200...250		332RAM9B	2CMA100876R1000		
<b>3P+N+E</b>							
5	Red	346...415	50 and 60	432RAM6B	2CMA100548R1000	10	0.24
	Blue	208...250		432RAM9B	2CMA101051R1000		



### Dimensions (mm)

Type	C	C1	D	D2	D3	E	E1	H
216RAM...B	55	55	63	70	78	53	42	76
316RAM...B	66	66	78	83	89	53	46	85
416RAM...B	66	66	78	83	89	55	48	89
232RAM...B	75	75	87	93	99	61	52	98
332RAM...B	75	75	87	93	99	61	52	98
432RAM...B	75	75	87	93	99	64	52	101



# Industrial plugs and sockets

## Critical & Safe

### Switched interlocked socket outlet



Heavy duty, Type MVS...WH  
16 A...32 A, IP67



Heavy duty, Type MVS...WH  
63 A...125 A, IP67



Vertical with RCD protection,  
Type MPR..., 16 A...32 A, IP44



Vertical, Type MVS...  
16 A...32 A, IP44



Vertical, Type MVS...W  
16 A...32 A, IP67



Metal enclosed, Type MM...  
16 A...32 A, IP44



Metal enclosed, Type MM...  
63 A, IP44



Metal enclosed, Type MM  
125 A, IP44



Horizontal, Type MHS...  
16 A...32 A, IP44



Horizontal, Type MHS  
63 A, IP44



Horizontal, Type MHS...W  
16 A...32 A, IP67



Horizontal, Type MHS..W  
63 A, IP67

### Surface socket outlet with MCB or RCD



Vertical with MCB protection,  
Type RPM..., 16 A...32 A, IP44



Vertical with RCD protection,  
Type RPR..., 16 A...32 A, IP44

---

# Industrial plugs and sockets

## Critical & Safe

Our new industrial plugs and sockets complements Amphenol's strong low-voltage offer. These plugs and sockets are part of Critical & Safe. Critical & Safe is a product range suitable for general use in most applications.

“Critical & Safe is the range for applications with high demands on safety, durability and performance. The product range is perfect for applications with frequent connection/disconnection, and to use in public areas. Switch interlock system provides high product and personal safety, thanks to the mechanism it is not possible to turn on the product if a correct plug is not engaged, which in turn means that the risk of personal injuries decreases if by accident coming in contact with live parts. The plug cannot be disengaged if the mechanism is turned on. The only way to engage and disengage the plug from the socket outlet is if the mechanism is switched off.

The housing is made of PBT or aluminum. PBT is a tough plastic material that withstands heavy-duty usage and most chemicals found in industrial environments. The aluminum housing is a mix of aluminium and silicon called silumin, which gives an excellent protection against corrosion while being robust and tough against impact and sunlight.”



## Switched interlocked socket outlets

Heavy duty



416MVS6WH

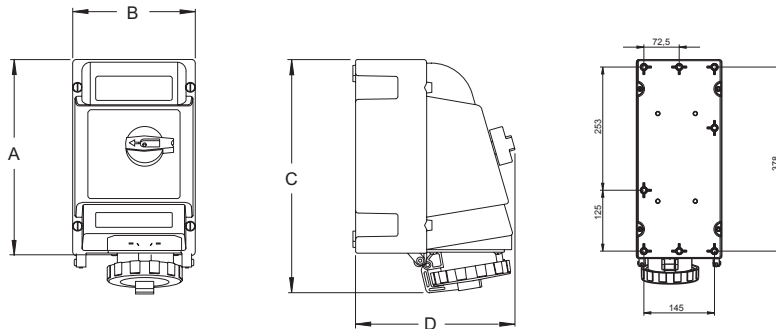
### 16 A. IP67/IP69. Watertight

Housing in plastic (PBT). Cable entry with knock-outs  $\varnothing$  25+32 mm on top and drill marks on bottom. Cable area 1.5...4 mm<sup>2</sup>

Terminals/ Poles	Color code	Voltage V	Frequency Hz	Type	Order Code	Pkg qty	Weight
							pkg (1pce) kg
<b>2P+E</b>							
3	Grey		AC	216MVS1WH	2CMA163255R1000	1	1.75
	Yellow	100...130	50 and 60	216MVS4WH	2CMA163256R1000		
	Blue	200...250		216MVS6WH	2CMA163257R1000		
	Red	380...415		216MVS9WH	2CMA163258R1000		
	Grey	transf		216MVS12WH	2CMA163259R1000		
<b>3P+E</b>							
4	Grey		AC	316MVS1WH	2CMA163261R1000	1	1.79
	Yellow	100...130	50 and 60	316MVS4WH	2CMA163262R1000		
	Black	600...690		316MVS5WH	2CMA163263R1000		
	Red	380...415		316MVS6WH	2CMA163264R1000		
	Black	480...500		316MVS7WH	2CMA163265R1000		
	Blue	200...250		316MVS9WH	2CMA163266R1000		
	Green	> 50 V~	100...300	316MVS10WH	2CMA163267R1000		
	Red	440...460	60	316MVS11WH	2CMA163268R1000		
<b>3P+N+E</b>							
5	Grey		AC	416MVS1WH	2CMA163270R1000	1	1.83
	Green	> 50 V~	>300...500	416MVS2WH	2CMA163271R1000		
	Red	346...415	50 and 60	416MVS6WH	2CMA163272R1000		
	Black	480...500		416MVS7WH	2CMA101713R1000		
	Blue	208...250		416MVS9WH	2CMA163273R1000		

- The switch handle is padlockable (5-8 mm shackle)

- The switch insert can be equipped with an auxiliary contact, (see page 102)



### Dimensions (mm)

Type	A	B	C	D
216MVS...WH	255	160	306	205
316MVS...WH	255	160	306	205
416MVS...WH	255	160	306	205

## Switched interlocked socket outlets

Heavy duty



432MVS6WH

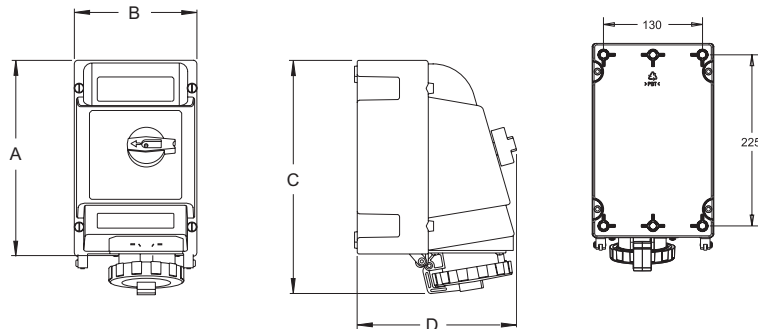
### 32 A. IP67/IP69. Watertight

Housing in plastic (PBT). Cable entry with knock-outs  $\varnothing$  25+32 mm on top and drill marks on bottom.  
Cable area 2.5...10 mm<sup>2</sup>

Terminals/ Poles	Color code	Voltage V	Frequency Hz	Type	Order Code	Pkg qty	Weight
							pkg (1pce) kg
<b>2P+E</b>							
3	Grey		AC	232MVS1WH	2CMA163275R1000	1	1.87
	Grey	> 50...250	DC	232MVS3WH	2CMA105985R1000		
	Yellow	100...130	50 and 60	232MVS4WH	2CMA105108R1000		
	Blue	200...250		232MVS6WH	2CMA163276R1000		
	Red	380...415		232MVS9WH	2CMA105109R1000		
	Grey	transf.		232MVS12WH	2CMA105110R1000		
<b>3P+E</b>							
4	Grey		AC	332MVS1WH	2CMA163277R1000	1	1.91
	Red	380/440	50/60	332MVS3WH	2CMA100662R1000		
	Yellow	100...130	50 and 60	332MVS4WH	2CMA105111R1000		
	Black	600...690		332MVS5WH	2CMA163278R1000		
	Red	380...415		332MVS6WH	2CMA163279R1000		
	Black	480...500		332MVS7WH	2CMA163280R1000		
	Blue	200...250		332MVS9WH	2CMA163281R1000		
	Green	> 50 V~	100...300	332MVS10WH	2CMA105112R1000		
	Red	440...460	60	332MVS11WH	2CMA105113R1000		
	<b>3P+N+E</b>						
5	Grey		AC	432MVS1WH	2CMA163284R1000	1	1.95
	Green	> 50 V~	>300...500	432MVS2WH	2CMA105114R1000		
	Yellow	100...130	50 and 60	432MVS4WH	2CMA105115R1000		
	Red	346...415		432MVS6WH	2CMA163285R1000		
	Black	480...500		432MVS7WH	2CMA163286R1000		
	Blue	208...250		432MVS9WH	2CMA101701R1000		
	Red	440...460	60	432MVS11WH	2CMA105117R1000		

- The switch handle is padlockable (5-8 mm shackle)

- The switch insert can be equipped with an auxiliary contact, (see page 102)



Dimensions (mm)

Type	A	B	C	D
232MVS...WH	255	160	306	205
332MVS...WH	255	160	306	205
432MVS...WH	255	160	306	205

## Switched interlocked socket outlets

Heavy duty



463MVS6WH

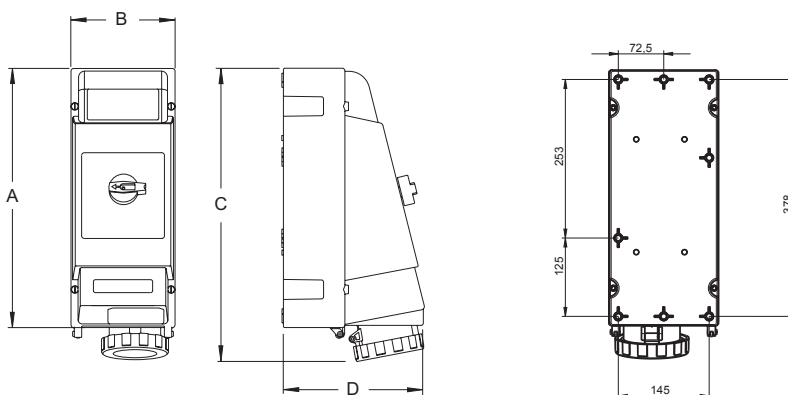
### 63 A. IP67/IP69. Watertight

Housing in plastic (PBT). Cable entry with knock-outs  $\varnothing$  40+50 mm on top and drill marks on bottom. Cable area 6...25 mm<sup>2</sup>

Terminals/ Poles	Color code	Voltage V	Frequency Hz	Type	Order Code	Pkg qty	Weight
							pkg (1pce)
							kg
<b>2P+E</b>							
3	Grey		AC	263MVS1WH	2CMA162831R1000	1	3.50
	Yellow	100...130	50 and 60	263MVS4WH	2CMA162827R1000		
	Blue	200...250		263MVS6WH	2CMA162828R1000		
	Red	380...415		263MVS9WH	2CMA162829R1000		
<b>3P+E</b>							
4	Grey		AC	363MVS1WH	2CMA162841R1000	1	3.50
	Yellow	100...130	50 and 60	363MVS4WH	2CMA162834R1000		
	Black	600...690		363MVS5WH	2CMA162835R1000		
	Red	380...415		363MVS6WH	2CMA162836R1000		
	Black	480...500		363MVS7WH	2CMA162837R1000		
	Blue	200...250		363MVS9WH	2CMA162838R1000		
	Red	440...460	60	363MVS11WH	2CMA162840R1000		
<b>3P+N+E</b>							
5	Grey		AC	463MVS1WH	2CMA162849R1000	1	3.60
	Yellow	100...130	50 and 60	463MVS4WH	2CMA162844R1000		
	Red	346...415		463MVS6WH	2CMA162845R1000		
	Black	600...690		463MVS5WH	2CMA162805R1000		
	Black	480...500		463MVS7WH	2CMA162846R1000		
	Blue	208...250		463MVS9WH	2CMA162847R1000		
	Red	440...460	60	463MVS11WH	2CMA162848R1000		

- The switch handle is padlockable (5-8 mm shackle)

- The switch insert can be equipped with an auxiliary contact, (see page 102)



### Dimensions (mm)

Type	A	B	C	D
263MVS...WH	408	175	463	241
363MVS...WH	408	175	463	241
463MVS...WH	408	175	463	241



## Switched interlocked socket outlets

Heavy duty



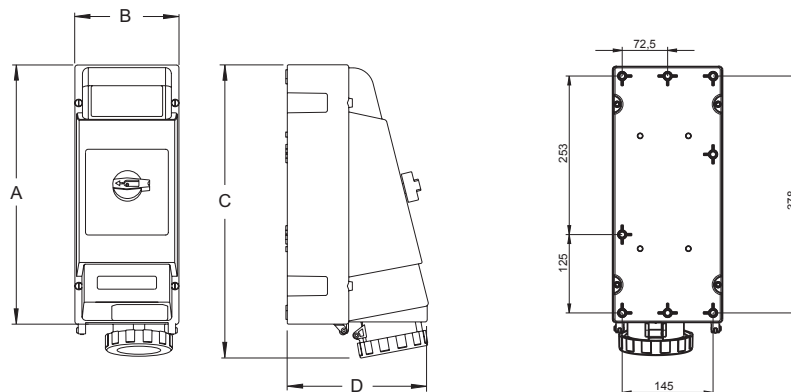
4125MVS6WH

### 125 A. IP67/IP69. Watertight

Housing in plastic (PBT). Cable entry with knock-outs  $\varnothing$  40+50 mm on top and drill marks on bottom. Long phase sleeves and pilot sleeve. Cable area 16...70 mm<sup>2</sup>

Terminals/ Poles	Color code	Voltage V	Frequency Hz	Type	Order Code	Pkg qty	Weight
							pkg (1pce)
							kg
<b>2P+E</b>							
3	Grey		AC	2125MVS1WH	2CMA162740R1000	1	4.20
	Yellow	100...130	50 and 60	2125MVS4WH	2CMA162738R1000		
	Blue	200...250		2125MVS6WH	2CMA162739R1000		
	Red	380...415		2125MVS9WH	2CMA101837R1000		
<b>3P+E</b>							
4	Grey		AC	3125MVS1WH	2CMA162746R1000	1	4.40
	Yellow	100...130	50 and 60	3125MVS4WH	2CMA162741R1000		
	Red	380...415		3125MVS6WH	2CMA162742R1000		
	Black	600...690		3125MVS5WH	2CMA162747R1000		
	Black	480...500		3125MVS7WH	2CMA162743R1000		
	Blue	200...250		3125MVS9WH	2CMA162744R1000		
	Red	440...460	60	3125MVS11WH	2CMA162745R1000		
<b>3P+N+E</b>							
5	Grey		AC	4125MVS1WH	2CMA162796R1000	1	4.50
	Yellow	100...130	50 and 60	4125MVS4WH	2CMA162791R1000		
	Red	346...415		4125MVS6WH	2CMA162792R1000		
	Black	600...690		4125MVS5WH	2CMA162797R1000		
	Black	480...500		4125MVS7WH	2CMA162793R1000		
	Blue	208...250		4125MVS9WH	2CMA162794R1000		
	Red	440...460	60	4125MVS11WH	2CMA162795R1000		

- The switch handle is padlockable (5-8 mm shackle)
- The switch insert can be equipped with an auxiliary contact, (see page 102)



Dimensions (mm)

Type	A	B	C	D
2125MVS...WH	408	175	463	241
3125MVS...WH	408	175	463	241
4125MVS...WH	408	175	463	241

## Switched interlocked socket outlets

Metal enclosed



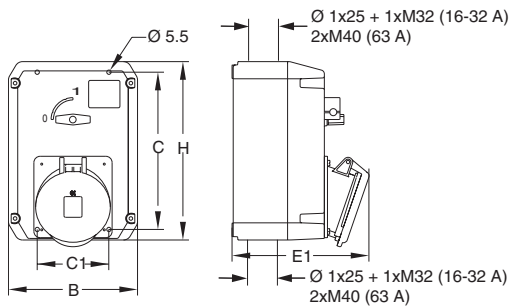
416MM6

### 16 A. IP44. Splashproof

Housing in aluminum. Cable entry 2 x M25 + 2 x M32. Cable area 1.5...4 mm<sup>2</sup>

Terminals/ Poles	Color code	Voltage V	Frequency Hz	Type	Order Code	Pkg qty	Weight
							pkg (1pce)
							kg
<b>3P+E</b>							
4	Grey		AC	316MM1	2CMA167980R1000	1	1.30
	Yellow	100...130	50 and 60	316MM4	2CMA167973R1000		
	Black	600...690		316MM5	2CMA167974R1000		
	Red	380...415		316MM6	2CMA167975R1000		
	Black	480...500		316MM7	2CMA167976R1000		
	Blue	200...250		316MM9	2CMA167977R1000		
	Green	> 50 V~	100...300	316MM10	2CMA167978R1000		
	Red	440...460	60	316MM11	2CMA167979R1000		
<b>3P+N+E</b>							
5	Grey		AC	416MM1	2CMA167988R1000	1	1.32
	Green	> 50 V~	>300...500	416MM2	2CMA167981R1000		
	Black	600...690	50 and 60	416MM5	2CMA126695R1000		
	Red	346...415		416MM6	2CMA167984R1000		
	Blue	208...250		416MM9	2CMA167986R1000		
	Red	440...460	60	416MM11	2CMA167987R1000		

- The switch handle is padlockable (5-8 mm shackle)
- The switch insert can be equipped with an auxiliary contact, (see page 102)



### Dimensions (mm)

Type	B	C	C1	E1	H
316MM...	135	165	91.5	125	198
416MM...	135	165	91.5	125	198

## Switched interlocked socket outlets

Metal enclosed



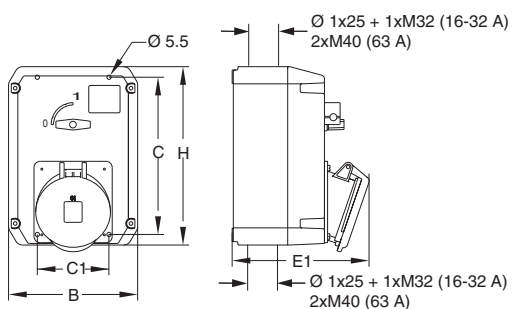
416MM6

### 32 A. IP44. Splashproof

Housing in aluminum. Cable entry 2 x M25 + 2 x M32. Cable area 2.5...10 mm<sup>2</sup>

Terminals/ Poles	Color code	Voltage V	Frequency Hz	Type	Order Code	Pkg qty	Weight			
							pkg (1pce) kg			
<b>3P+E</b>										
4	Grey		AC	332MM1	2CMA167998R1000	1	1.42			
	Red	380/440	50/60	332MM3	2CMA167990R1000					
	Yellow	100...130	50 and 60	332MM4	2CMA167991R1000					
	Black	600...690		332MM5	2CMA167992R1000					
	Red	380...415		332MM6	2CMA167993R1000					
	Black	480...500		332MM7	2CMA167994R1000					
	Blue	200...250		332MM9	2CMA167995R1000					
	Green	> 50 V~	100...300	332MM10	2CMA167996R1000					
	Red	440...460	60	332MM11	2CMA167997R1000					
	<b>3P+N+E</b>									
	5	Grey		AC	432MM1			2CMA168006R1000	1	1.48
Black		600...690	50 and 60	432MM5	2CMA126696R1000					
Red		346...415		432MM6	2CMA168002R1000					
Black		480...500		432MM7	2CMA168003R1000					
Blue		208...250		432MM9	2CMA168004R1000					
Red		440...460	60	432MM11	2CMA100027R1000					

- The switch handle is padlockable (5-8 mm shackle)
- The switch insert can be equipped with an auxiliary contact, (see page 102)



### Dimensions (mm)

Type	B	C	C1	E1	H
332MM...	135	165	91.5	135	198
432MM...	135	165	91.5	135	198



## Switched interlocked socket outlets

Metal enclosed



263MM6

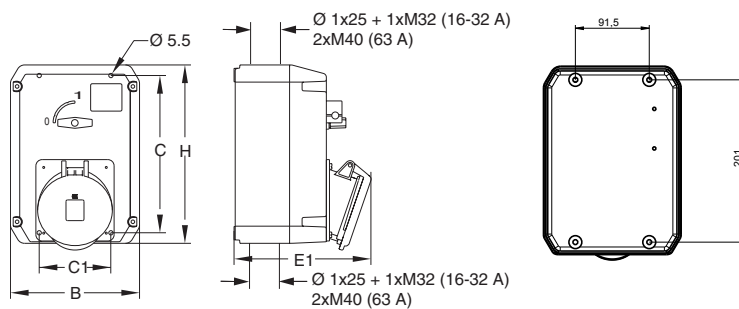
### 63 A. IP44. Splashproof

Housing in aluminum. Cable entry 4 x M40. Cable area 6...25 mm<sup>2</sup>

Terminals/ Poles	Color code	Voltage V	Frequency Hz	Type	Order Code	Pkg qty	Weight
							pkg (1pce)
							kg
<b>2P+E</b>							
3	Grey		AC	263MM1	2CMA168033R1000	1	2.20
	Yellow	100...130	50 and 60	263MM4	2CMA168030R1000		
	Blue	200...250		263MM6	2CMA168031R1000		
	Red	380...415		263MM9	2CMA168032R1000		
<b>3P+E</b>							
4	Grey		AC	363MM1	2CMA168040R1000	1	2.22
	Yellow	100...130	50 and 60	363MM4	2CMA168034R1000		
	Black	600...690		363MM5	2CMA168035R1000		
	Red	380...415		363MM6	2CMA168036R1000		
	Black	480...500		363MM7	2CMA168037R1000		
	Blue	200...250		363MM9	2CMA168038R1000		
	Red	440...460	60	363MM11	2CMA168039R1000		
<b>3P+N+E</b>							
5	Grey		AC	463MM1	2CMA168046R1000	1	2.35
	Black	600...690	50 and 60	463MM5	2CMA126697R1000		
	Red	346...415		463MM6	2CMA168042R1000		
	Black	480...500		463MM7	2CMA168043R1000		
	Blue	208...250		463MM9	2CMA168044R1000		

- The switch handle is padlockable (5-8 mm shackle)

- The switch insert can be equipped with an auxiliary contact, (see page 102)



### Dimensions (mm)

Type	B	C	C1	E1	H
263MM...	165	201	91.5	183	228
363MM...	165	201	91.5	183	228
463MM...	165	201	91.5	183	228

## Switched interlocked socket outlets

Metal enclosed



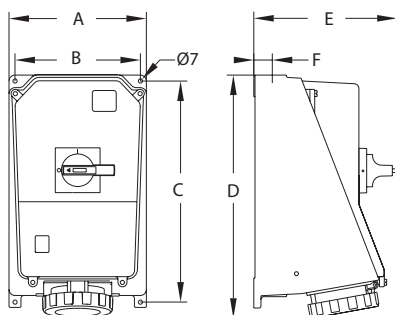
4125MM6

### 125 A. IP44. Splashproof

Housing in aluminum. Long phase sleeves and pilot sleeve. Cable entry 1 x M50. Cable area 16...70 mm<sup>2</sup>

Terminals/ Poles	Color code	Voltage V	Frequency Hz	Type	Order Code	Pkg qty	Weight
							pkg (1pce) kg
<b>2P+E</b>							
	Blue	200...250	50 and 60	2125MM6	2CMA168047R1000	1	7.70
<b>3P+E</b>							
4	Grey		AC	3125MM1	2CMA168052R1000	1	7.90
	Black	600...690	50 and 60	3125MM5	2CMA168061R1000		
	Red	380...415		3125MM6	2CMA168048R1000		
	Black	480...500		3125MM7	2CMA168049R1000		
	Blue	200...250		3125MM9	2CMA168050R1000		
	Red	440...460	60	3125MM11	2CMA168051R1000		
<b>3P+N+E</b>							
5	Grey		AC	4125MM1	2CMA168056R1000	1	8.10
	Black	600...690	50 and 60	4125MM5	2CMA126698R1000		
	Red	346...415		4125MM6	2CMA168053R1000		
	Black	480...500		4125MM7	2CMA168054R1000		
	Red	440...460	60	4125MM11	2CMA168055R1000		

- The switch handle is padlockable (5-8 mm shackle)
- The switch insert can be equipped with an auxiliary contact, (see page 102)



### Dimensions (mm)

Type	A	B	C	D	E	F
2125MM...	230	210	370	405	230	31
3125MM...	230	210	370	405	230	31
4125MM...	230	210	370	405	230	31

## Switched interlocked socket outlets

Horizontal



432MHS6

### 16 A. IP44. Splashproof

Housing in plastic (PBT). Cable entry with knock-outs Ø 25 mm up/M25 down. Cable area 1.5...4 mm<sup>2</sup>

Terminals/ Poles	Color code	Voltage	Frequency	Type	Order Code	Pkg qty	Weight
		V	Hz				pkg (1pce) kg
<b>2P+E</b>							
3	Grey		AC	216MHS1	2CMA167626R1000	1	0.55
	Yellow	100...130	50 and 60	216MHS4	2CMA167622R1000		
	Blue	200...250		216MHS6	2CMA167623R1000		
	Red	380...415		216MHS9	2CMA167624R1000		
	Grey	transf.		216MHS12	2CMA167625R1000		
<b>3P+E</b>							
4	Grey		AC	316MHS1	2CMA167636R1000	1	0.58
	Yellow	100...130	50 and 60	316MHS4	2CMA167629R1000		
	Black	600...690		316MHS5	2CMA167630R1000		
	Red	380...415		316MHS6	2CMA167631R1000		
	Black	480...500		316MHS7	2CMA167632R1000		
	Blue	200...250		316MHS9	2CMA167633R1000		
	Green	> 50 V~	100...300	316MHS10	2CMA167634R1000		
	Red	440...460	60	316MHS11	2CMA167635R1000		
<b>3P+N+E</b>							
5	Grey		AC	416MHS1	2CMA167644R1000	1	0.61
	Green	> 50 V~	100...300	416MHS2	2CMA167637R1000		
	Black	600...690	50 and 60	416MHS5	2CMA126684R1000		
	Red	346...415		416MHS6	2CMA167640R1000		
	Blue	200...250		416MHS9	2CMA167642R1000		

### 32 A. IP44. Splashproof

Housing in plastic (PBT). Cable entry with knock-outs Ø 25 mm up/M25 down. Cable area 2.5...10 mm<sup>2</sup>

Terminals/ Poles	Color code	Voltage	Frequency	Type	Order Code	Pkg qty	Weight
		V	Hz				pkg (1pce) kg
<b>2P+E</b>							
3	Grey		AC	232MHS1	2CMA167672R1000	1	0.60
	Yellow	100...130	50 and 60	232MHS4	2CMA167668R1000		
	Blue	200...250		232MHS6	2CMA167669R1000		
<b>3P+E</b>							
4	Grey		AC	332MHS1	2CMA167682R1000	1	0.63
	Black	600...690	50 and 60	332MHS5	2CMA167676R1000		
	Red	380...415		332MHS6	2CMA167677R1000		
	Black	480...500		332MHS7	2CMA167678R1000		
	Blue	200...250		332MHS9	2CMA167679R1000		
<b>3P+N+E</b>							
5	Grey		AC	432MHS1	2CMA167690R1000	1	0.66
	Black	600...690	50 and 60	432MHS5	2CMA126685R1000		
	Red	346...415		432MHS6 *)	2CMA167686R1000		

- The switch insert can be equipped with an auxiliary contact, (see page 102)

- Dimension drawing, (see page 90)

## Switched interlocked socket outlets

Horizontal



463MHS6

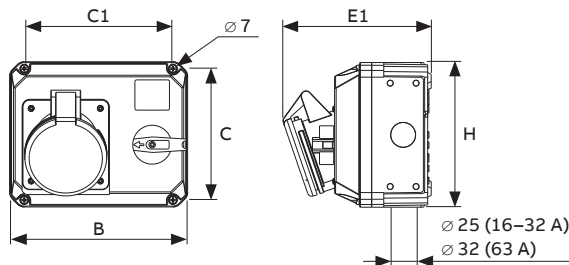
### 63 A. IP44. Splashproof

Housing in plastic (PBT). Cable entry with knock-outs  $\varnothing$  32 mm. Cable area 6...25 mm<sup>2</sup>

Terminals/ Poles	Color code	Voltage V	Frequency Hz	Type	Order Code	Pkg qty	Weight
							pkg (1pce)
							kg
<b>2P+E</b>							
3	Grey		AC	263MHS1	2CMA167717R1000	1	2.00
	Yellow	100...130	50 and 60	263MHS4	2CMA167714R1000		
	Blue	200...250		263MHS6	2CMA167715R1000		
<b>3P+E</b>							
4	Grey		AC	363MHS1	2CMA167725R1000	1	2.00
	Black	600...690	50 and 60	363MHS5	2CMA167719R1000		
	Red	380...415		363MHS6	2CMA167721R1000		
	Black	480...500		363MHS7	2CMA167722R1000		
	Blue	200...250		363MHS9	2CMA167723R1000		
<b>3P+N+E</b>							
5	Grey		AC	463MHS1	2CMA167731R1000	1	2.10
	Black	600...690	50 and 60	463MHS5	2CMA126686R1000		
	Red	346...415		463MHS6	2CMA167727R1000		

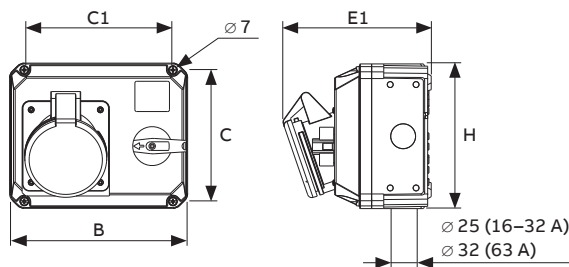
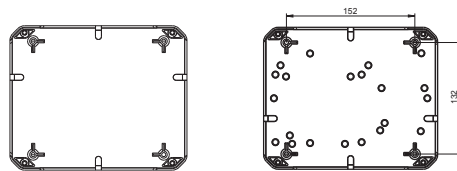
- The switch handle is padlockable (5-8 mm shackle)

- The switch insert can be equipped with an auxiliary contact, (see page 102)



Dimensions (mm)

Type	B	C	C1	E1	H
263MHS...	206	132	152	168	168
363MHS...	206	132	152	168	168
463MHS...	206	132	152	168	168



Dimensions (mm)

Type	B	C	C1	E1	H
216MHS...416MHS...	168	91	125	116	129
232MHS...432MHS...	168	91	125	126	129

## Switched interlocked socket outlets

Horizontal



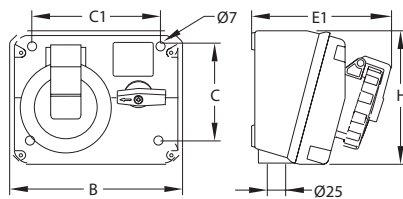
216MHS6W

### 16 A. IP67. Watertight

Housing in plastic (PBT). Cable entry with knock-outs  $\varnothing$  25 mm up/M25 down. Cable area 1.5...4 mm<sup>2</sup>

Terminals/ Poles	Color code	Voltage V	Frequency Hz	Type	Order Code	Pkg qty	Weight
							pkg (1pce)
							kg
<b>2P+E</b>							
3	Grey		AC	216MHS1W	2CMA167804R1000	1	0.55
	Yellow	100...130	50 and 60	216MHS4W	2CMA167800R1000		
	Blue	200...250		216MHS6W	2CMA167801R1000		
	Black	480...500		216MHS7W	2CMA101715R1000		
	Red	380...415		216MHS9W	2CMA167802R1000		
	Grey	transf.		216MHS12W	2CMA167803R1000		
<b>3P+E</b>							
4	Grey		AC	316MHS1W	2CMA167814R1000	1	0.58
	Green	> 50 V~	>300...500	316MHS2W	2CMA167805R1000		
	Red	380/440	50/60	316MHS3W	2CMA167806R1000		
	Yellow	100...130	50 and 60	316MHS4W	2CMA167807R1000		
	Black	600...690		316MHS5W	2CMA167808R1000		
	Red	380...415		316MHS6W	2CMA167809R1000		
	Black	480...500		316MHS7W	2CMA167810R1000		
	Blue	200...250		316MHS9W	2CMA167811R1000		
	Green	> 50 V~	100...300	316MHS10W	2CMA167812R1000		
	Red	440...460	60	316MHS11W	2CMA167813R1000		
	<b>3P+N+E</b>						
5	Grey		AC	416MHS1W	2CMA167822R1000	1	0.61
	Green	> 50 V~	>300...500	416MHS2W	2CMA167815R1000		
	Red	380/440	50/60	416MHS3W	2CMA167816R1000		
	Yellow	100...130	50 and 60	416MHS4W	2CMA167817R1000		
	Red	346...415		416MHS6W	2CMA167818R1000		
	Black	480...500		416MHS7W	2CMA167819R1000		
	Blue	208...250		416MHS9W	2CMA167820R1000		
	Red	440...460	60	416MHS11W	2CMA167821R1000		

- The switch insert can be equipped with an auxiliary contact, (see page 102)



### Dimensions (mm)

Type	B	C	C1	E1	H
216MHS...W	168	91	125	116	129
316MHS...W	168	91	125	116	129
416MHS...W	168	91	125	116	129

## Switched interlocked socket outlets

Horizontal



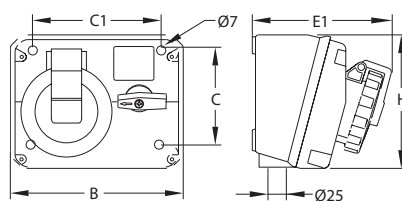
432MHS6W

### 32 A. IP67. Watertight

Housing in plastic (PBT). Cable entry with knock-outs  $\varnothing$  25 mm up/M25 down. Cable area 2.5...10 mm<sup>2</sup>

Terminals/ Poles	Color code	Voltage V	Frequency Hz	Type	Order Code	Pkg qty	Weight
							pkg (1pce)
2P+E							
3	Grey		AC	232MHS1W	2CMA167851R1000	1	0.60
	Yellow	100...130	50 and 60	232MHS4W	2CMA167847R1000		
	Blue	200...250		232MHS6W	2CMA167848R1000		
	Red	380...415		232MHS9W	2CMA167849R1000		
	Grey	transf.		232MHS12W	2CMA167850R1000		
3P+E							
4	Grey		AC	332MHS1W	2CMA167861R1000	1	0.63
	Green	> 50 V~	>300...500	332MHS2W	2CMA167852R1000		
	Red	380/440	50/60	332MHS3W	2CMA167853R1000		
	Yellow	100...130	50 and 60	332MHS4W	2CMA167854R1000		
	Black	600...690		332MHS5W	2CMA167855R1000		
	Red	380...415		332MHS6W	2CMA167856R1000		
	Black	480...500		332MHS7W	2CMA167857R1000		
	Blue	200...250		332MHS9W	2CMA167858R1000		
	Green	> 50 V~	100...300	332MHS10W	2CMA167859R1000		
	Red	440...460	60	332MHS11W	2CMA167860R1000		
	3P+N+E						
5	Grey		AC	432MHS1W	2CMA167869R1000	1	0.66
	Green	> 50 V~	>300...500	432MHS2W	2CMA167862R1000		
	Red	380/440	50/60	432MHS3W	2CMA167863R1000		
	Yellow	100...130	50 and 60	432MHS4W	2CMA167864R1000		
	Red	346...415		432MHS6W	2CMA167865R1000		
	Black	480...500		432MHS7W	2CMA167866R1000		
	Blue	208...250		432MHS9W	2CMA167867R1000		
	Red	440...460	60	432MHS11W	2CMA167868R1000		

- The switch insert can be equipped with an auxiliary contact, (see page 102)



### Dimensions (mm)

Type	B	C	C1	E1	H
232MHS...W	168	91	125	136	129
332MHS...W	168	91	125	136	129
432MHS...W	168	91	125	116	129

## Switched interlocked socket outlets

Horizontal



263MHS6W

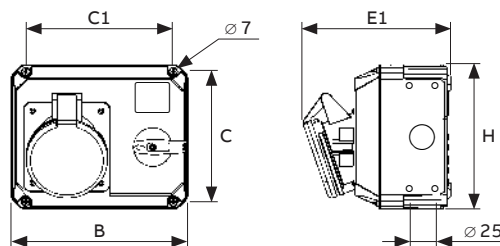
### 63 A. IP67. Watertight

Housing in plastic (PBT). Cable entry with knock-outs knock-outs  $\varnothing$  33 mm up/  $\varnothing$  33 down. Cable area 6...25 mm<sup>2</sup>

Terminals/ Poles	Color code	Voltage V	Frequency Hz	Type	Order Code	Pkg qty	Weight
							pkg (1pce) kg
<b>2P+E</b>							
3	Grey		AC	263MHS1W	2CMA167896R1000	1	2.00
	Yellow	100...130	50 and 60	263MHS4W	2CMA167893R1000		
	Blue	200...250		263MHS6W	2CMA167894R1000		
	Red	380...415		263MHS9W	2CMA167895R1000		
<b>3P+E</b>							
4	Grey		AC	363MHS1W	2CMA167903R1000	1	2.00
	Yellow	100...130	50 and 60	363MHS4W	2CMA167897R1000		
	Black	600...690		363MHS5W	2CMA167898R1000		
	Red	380...415		363MHS6W	2CMA167899R1000		
	Black	480...500		363MHS7W	2CMA167900R1000		
	Blue	200...250		363MHW9W	2CMA167901R1000		
	Red	440...460	60	363MHS11W	2CMA167901R1000		
<b>3P+N+E</b>							
5	Grey		AC	463MHS1W	2CMA167909R1000	1	2.10
	Yellow	100...130	50 and 60	463MHS4W	2CMA167904R1000		
	Red	346...415		463MHS6W	2CMA167905R1000		
	Black	480...500		463MHS7W	2CMA167906R1000		
	Blue	208...250		463MHS9W	2CMA167907R1000		
	Red	440...460	60	463MHS11W	2CMA167908R1000		

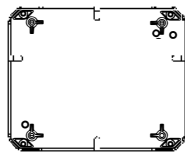
- The switch handle is padlockable (5-8 mm shackle)

- The switch insert can be equipped with an auxiliary contact, (see page 102)



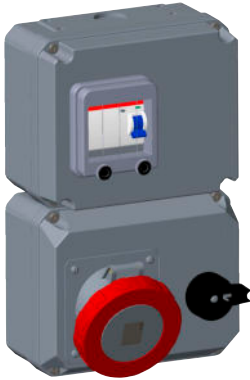
### Dimensions (mm)

Type	B	C	C1	E1	H
263MHS...W	206	132	152	182	168
363MHS...W	206	132	152	182	168
463MHS...W	206	132	152	182	168



## Switched interlocked socket outlets

With protection

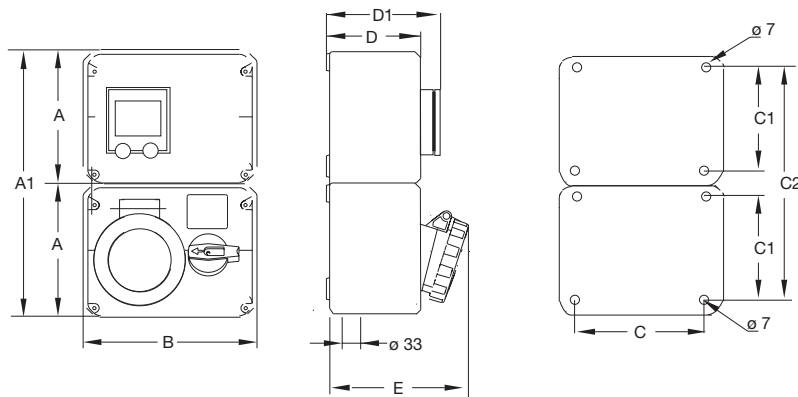


363MPR6W

### 63 A. IP67. Watertight

Housing in plastic (PBT). Cable entry with knock-outs  $\varnothing$  33 mm up and down. Cable area 6...25 mm<sup>2</sup>.  
Delivered with RCD.

Terminals/ Poles	Color code	Voltage V	Frequency Hz	Type	Order Code	Pkg qty	Weight
							pkg (1pce) kg
<b>2P+E</b>							
3	Yellow	100...130	50 and 60	263MPR4W	2CMA101940R1000	1	1.90
	Blue	200...250		263MPR6W	2CMA101941R1000		
	Red	380...415		263MPR9W	2CMA101942R1000		
<b>3P+E</b>							
5	Yellow	100...130	50 and 60	363MPR4W	2CMA101937R1000	1	1.90
	Red	346...415		363MPR6W	2CMA101938R1000		
	Blue	200...250		363MPR9W	2CMA101939R1000		
<b>3P+N+E</b>							
5	Yellow	100...130	50 and 60	463MPR4W	2CMA101935R1000	1	1.90
	Red	346...415		463MPR6W	2CMA101934R1000		
	Blue	208...250		463MPR9W	2CMA101936R1000		



### Dimensions (mm)

Type	A	A1	B	C	C1	C2	D	D1	E
263MPR...W	168	337	206	152	132	300	108	138	175
363MPR...W	168	337	206	152	132	300	108	138	175
463MPR...W	168	337	206	152	132	300	108	138	175



## Switched interlocked socket outlets

### Vertical



432MVS6

#### 16 A. IP44. Splashproof

Housing in plastic (PBT). Cable entry with knock-outs Ø 25 mm. Cable area 1.5...4 mm<sup>2</sup>

Terminals/ Poles	Color code	Voltage	Frequency	Type	Order Code	Pkg qty	Weight
		V	Hz				pkg (1pce) kg
<b>2P+E</b>							
3	Grey		AC	216MVS1	2CMA167649R1000	1	0.63
	Yellow	100...130	50 and 60	216MVS4	2CMA167645R1000		
	Blue	200...250		216MVS6	2CMA167646R1000		
	Red	380...415		216MVS9	2CMA167647R1000		
	Grey	transf.		216MVS12	2CMA167648R1000		
<b>3P+E</b>							
4	Grey		AC	316MVS1	2CMA167659R1000	1	0.67
	Yellow	100...130	50 and 60	316MVS4	2CMA167652R1000		
	Black	600...690		316MVS5	2CMA167653R1000		
	Red	380...415		316MVS6	2CMA167654R1000		
	Black	480...500		316MVS7	2CMA167655R1000		
	Blue	200...250		316MVS9	2CMA167656R1000		
	Green	> 50 V~	100...300	316MVS10	2CMA167657R1000		
	Red	440...460	60	316MVS11	2CMA167658R1000		
<b>3P+N+E</b>							
5	Grey		AC	416MVS1	2CMA167667R1000	1	0.70
	Green	> 50 V~	300...500	416MVS2	2CMA167660R1000		
	Black	600...690	50 and 60	416MVS5	2CMA126690R1000		
	Red	346...415		416MVS6	2CMA167663R1000		
	Blue	200...250		416MVS9	2CMA167665R1000		

#### 32 A. IP44. Splashproof

Housing in plastic (PBT). Cable entry with knock-outs Ø 25 mm. Cable area 2.5...10 mm<sup>2</sup>

Terminals/ Poles	Color code	Voltage	Frequency	Type	Order Code	Pkg qty	Weight
		V	Hz				pkg (1pce) kg
<b>2P+E</b>							
3	Grey		AC	232MVS1	2CMA167695R1000	1	0.69
	Yellow	100...130	50 and 60	232MVS4	2CMA167691R1000		
	Blue	200...250		232MVS6	2CMA167692R1000		
<b>3P+E</b>							
4	Grey		AC	332MVS1	2CMA167705R1000	1	0.72
	Black	600...690	50 and 60	332MVS5	2CMA167699R1000		
	Red	380...415		332MVS6	2CMA167700R1000		
	Black	480...500		332MVS7	2CMA167701R1000		
	Blue	200...250		332MVS9	2CMA167702R1000		
<b>3P+N+E</b>							
5	Grey		AC	432MVS1	2CMA167713R1000	1	0.76
	Black	600...690	50 and 60	432MVS5	2CMA126691R1000		
	Red	346...415		432MVS6	2CMA167709R1000		

- The switch handle is padlockable (5-8 mm shackle)

- The switch insert can be equipped with an auxiliary contact, (see page 102)

## Switched interlocked socket outlets

### Vertical



216MVS6W

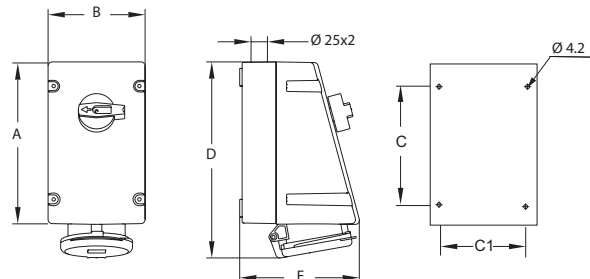
#### 16 A. IP67. Watertight

Housing in plastic (PBT). Cable entry with knock-outs  $\varnothing$  25 mm. Cable area 1.5...4 mm<sup>2</sup>

Terminals/ Poles	Color code	Voltage V	Frequency Hz	Type	Order Code	Pkg qty	Weight
							pkg (1pce)
2P+E							
3	Grey		AC	216MVS1W	2CMA167827R1000	1	0.63
	Yellow	100...130	50 and 60	216MVS4W	2CMA167823R1000		
	Blue	200...250		216MVS6W	2CMA167824R1000		
	Red	380...415		216MVS9W	2CMA167825R1000		
	Grey	transf.		216MVS12W	2CMA167826R1000		
3P+E							
4	Grey		AC	316MVS1W	2CMA167838R1000	1	0.67
	Green	> 50 V~	>300...500	316MVS2W	2CMA167828R1000		
	Red	380/440	50/60	316MVS3W	2CMA167829R1000		
	Yellow	100...130	50 and 60	316MVS4W	2CMA167830R1000		
	Black	600...690		316MVS5W	2CMA167831R1000		
	Red	380...415		316MVS6W	2CMA167832R1000		
	Black	480...500		316MVS7W	2CMA167833R1000		
	Blue	200...250		316MVS9W	2CMA167834R1000		
	Green	> 50 V~	100...300	316MVS10W	2CMA167835R1000		
	Red	440...460	60	316MVS11W	2CMA167836R1000		
	3P+N+E						
5	Grey		AC	416MVS1W	2CMA167846R1000	1	0.70
	Green	> 50 V~	>300...500	416MVS2W	2CMA167839R1000		
	Red	380/440	50/60	416MVS3W	2CMA167840R1000		
	Yellow	100...130	50 and 60	416MVS4W	2CMA167841R1000		
	Red	346...415		416MVS6W	2CMA167842R1000		
	Black	480...500		416MVS7W	2CMA167843R1000		
	Blue	208...250		416MVS9W	2CMA167844R1000		
	Red	440...460	60	416MVS11W	2CMA167845R1000		

- The switch handle is padlockable (5-8 mm shackle)

- The switch insert can be equipped with an auxiliary contact, (see page 102)



Dimensions (mm)

Type	A	B	C	C1	D	E
216MVS...416MVS...	199.5	120	170	90	235	149
232MVS...432MVS...	199.5	120	170	90	235	149
216MVS...W	199.5	120	170	90	253	149
316MVS...W	199.5	120	170	90	253	149
416MVS...W	199.5	120	170	90	253	149

## Switched interlocked socket outlets

### Vertical



432MVS6W

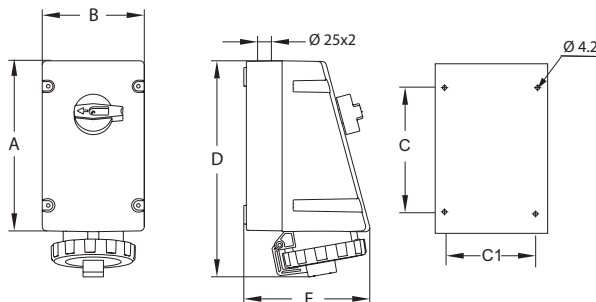
#### 32 A. IP67. Watertight

Housing in plastic (PBT). Cable entry with knock-outs  $\varnothing$  25 mm. Cable area 2.5...10 mm<sup>2</sup>

Terminals/ Poles	Color code	Voltage	Frequency	Type	Order Code	Pkg qty	Weight
		V	Hz				pkg (1pce) kg
<b>2P+E</b>							
3	Grey		AC	232MVS1W	2CMA167874R1000	1	0.69
	Yellow	100...130	50 and 60	232MVS4W	2CMA167870R1000		
	Blue	200...250		232MVS6W	2CMA167871R1000		
	Red	380...415		232MVS9W	2CMA167872R1000		
	Grey	transf.		232MVS12W	2CMA167873R1000		
<b>3P+E</b>							
4	Grey		AC	332MVS1W	2CMA167884R1000	1	0.72
	Green	> 50 V~	>300...500	332MVS2W	2CMA167875R1000		
	Red	380/440	50/60	332MVS3W	2CMA167876R1000		
	Yellow	100...130	50 and 60	332MVS4W	2CMA167877R1000		
	Black	600...690		332MVS5W	2CMA167878R1000		
	Red	380...415		332MVS6W	2CMA167879R1000		
	Black	480...500		332MVS7W	2CMA167880R1000		
	Blue	200...250		332MVS9W	2CMA167881R1000		
	Green	> 50 V~	100...300	332MVS10W	2CMA167882R1000		
	Red	440...460	60	332MVS11W	2CMA167883R1000		
	<b>3P+N+E</b>						
5	Grey		AC	432MVS1W	2CMA167892R1000	1	0.76
	Green	> 50 V~	>300...500	432MVS2W	2CMA167885R1000		
	Red	380/440	50/60	432MVS3W	2CMA167886R1000		
	Yellow	100...130	50 and 60	432MVS4W	2CMA167887R1000		
	Red	346...415		432MVS6W	2CMA167888R1000		
	Black	480...500		432MVS7W	2CMA167889R1000		
	Blue	208...250		432MVS9W	2CMA167890R1000		
	Red	440...460	60	432MVS11W	2CMA167891R1000		

- The switch handle is padlockable (5-8 mm shackle)

- The switch insert can be equipped with an auxiliary contact, (see page 102)



#### Dimensions (mm)

Type	A	B	C	C1	D	E
232MVS...W	199.5	120	170	90	253	149
332MVS...W	199.5	120	170	90	253	149
432MVS...W	199.5	120	170	90	253	149

## Switched interlocked socket outlets

Vertical with protection



216MPR6

### 16 A. IP44. Splashproof

Housing in plastic (PBT). Contains RCD 25 A/0.03 A, type A.  
Cable entry with knock-outs 2 x Ø 25 mm. Cable area 1.5...4 mm<sup>2</sup>

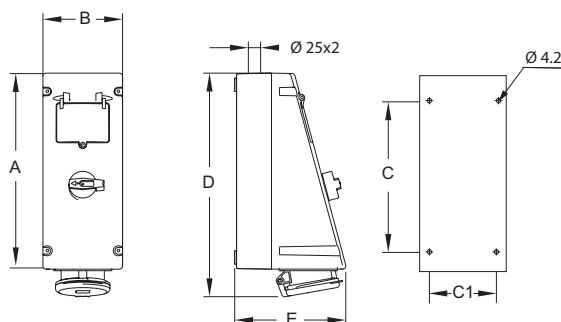
Terminals/ Poles	Color code	Voltage V	Frequency Hz	Type	Order Code	Pkg qty	Weight
							pkg (1pce) kg
<b>2P+E</b>							
3	Blue	200...250	50 and 60	216MPR6	2CMA167756R1000	1	1.71
<b>3P+E</b>							
4	Red	380...415	50 and 60	316MPR6	2CMA167764R1000	1	1.74
	Blue	200...250		316MPR9	2CMA167766R1000		
<b>3P+N+E</b>							
5	Red	346...415	50 and 60	416MPR6	2CMA167772R1000	1	1.76

### 32 A. IP44. Splashproof

Housing in plastic (PBT). Contains RCD 40 A/0.03 A, type A.  
Cable entry with knock-outs 2 x Ø 25 mm. Cable area 2.5...10 mm<sup>2</sup>

Terminals/ Poles	Color code	Voltage V	Frequency Hz	Type	Order Code	Pkg qty	Weight
							pkg (1pce) kg
<b>2P+E</b>							
3	Blue	200...250	50 and 60	232MPR6	2CMA167778R1000	1	1.77
<b>3P+E</b>							
4	Red	380...415	50 and 60	332MPR6	2CMA167786R1000	1	1.78
	Blue	200...250		332MPR9	2CMA167788R1000		
<b>3P+N+E</b>							
5	Red	346...415	50 and 60	432MPR6	2CMA167795R1000	1	1.80

- The switch handle is padlockable (5-8 mm shackle)
- The switch insert can be equipped with an auxiliary contact, (see page 102)



#### Dimensions (mm)

Type	A	B	C	C1	D	E
216MPR...	320	130	290	100	366	182
316MPR...	320	130	290	100	366	182
416MPR...	320	130	290	100	366	182

## Surface socket outlets

Vertical with protection



216RPM6

### 16 A. IP44. Splashproof

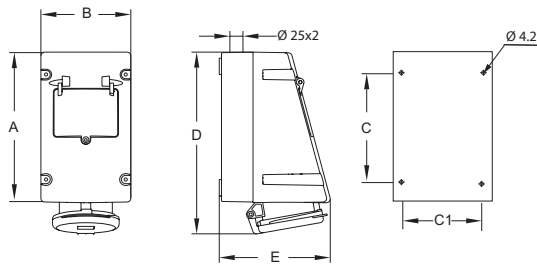
Housing in plastic (PBT). Contains MCB type S200 characteristic C.  
Cable entry with knock-outs 2 x Ø 25 mm. Cable area 1.5...4 mm<sup>2</sup>

Terminals/ Poles	Color code	Voltage	Frequency	Type	Order Code	Pkg qty	Weight
		V	Hz				pkg (1pce) kg
<b>2P+E</b>							
3	Blue	200...250	50 and 60	216RPM6	2CMA168133R1000	1	1.13
<b>3P+E</b>							
4	Red	380...415	50 and 60	316RPM6	2CMA168141R1000	1	1.16
	Blue	200...250		316RPM9	2CMA168143R1000		
<b>3P+N+E</b>							
5	Red	346...415	50 and 60	416RPM6	2CMA168150R1000	1	1.18

### 32 A. IP44. Splashproof

Housing in plastic (PBT). Contains MCB type S200 characteristic C.  
Cable entry with knock-outs 2 x Ø 25 mm. Cable area 2.5...10 mm<sup>2</sup>

Terminals/ Poles	Color code	Voltage	Frequency	Type	Order Code	Pkg qty	Weight
		V	Hz				pkg (1pce) kg
<b>2P+E</b>							
3	Blue	200...250	50 and 60	232RPM6	2CMA168156R1000	1	1.19
<b>3P+E</b>							
4	Red	380...415	50 and 60	332RPM6	2CMA168164R1000	1	1.20
	Blue	200...250		332RPM9	2CMA168166R1000		
<b>3P+N+E</b>							
5	Red	346...415	50 and 60	432RPM6	2CMA168173R1000	1	1.22



#### Dimensions (mm)

Type	A	B	C	C1	D	E
216RPM...416RPM...	199.5	120	170	90	243	149
232RPM...432RPM...	199.5	120	170	90	243	149

## Surface socket outlets

Vertical with protection



216RPR6

### 16 A. IP44. Splashproof

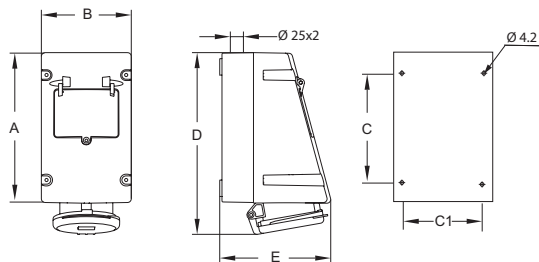
Housing in plastic (PBT). Contains RCD 25 A / 0.03 A, type A  
Cable entry with knock-outs 2 x Ø 25 mm. Cable area 1.5...4 mm<sup>2</sup>.

Terminals/ Poles	Color code	Voltage	Frequency	Type	Order Code	Pkg qty	Weight
		V	Hz				pkg (1pce) kg
<b>2P+E</b>							
3	Blue	200...250	50 and 60	216RPR6	2CMA168261R1000	1	1.13
<b>3P+E</b>							
4	Red	380...415	50 and 60	316RPR6	2CMA168269R1000	1	1.16
	Blue	200...250		316RPR9	2CMA168271R1000		
<b>3P+N+E</b>							
5	Red	346...415	50 and 60	416RPR6	2CMA168278R1000	1	1.18

### 32 A. IP44. Splashproof

Housing in plastic (PBT). Contains RCD 40 A / 0.03 A, type A  
Cable entry with knock-outs 2 x Ø 25 mm. Cable area 2.5...10 mm<sup>2</sup>.

Terminals/ Poles	Color code	Voltage	Frequency	Type	Order Code	Pkg qty	Weight
		V	Hz				pkg (1pce) kg
<b>2P+E</b>							
3	Blue	200...250	50 and 60	232RPR6	2CMA168283R1000	1	1.19
<b>3P+E</b>							
4	Red	380...415	50 and 60	332RPR6	2CMA168291R1000	1	1.20
	Blue	200...250		332RPR9	2CMA168293R1000		
<b>3P+N+E</b>							
5	Red	346...415	50 and 60	432RPR6	2CMA168300R1000	1	1.22



### Dimensions (mm)

Type	A	B	C	C1	D	E
216RPR...416RPR...	199.5	120	170	90	243	149
232RPR...432RPR...	199.5	120	170	90	243	149

## Accessories

### Auxillary contact



OA1G10  
OA1G01

#### Auxillary contacts for all switched socket outlet 16...125 A.

Technical data according to IEC 60947-5-1. Ith 16 A.

Insulation voltage 690 V. Operational voltage (V) 230/400/690. Operational current (A) 6/4/2.

Description	Order Code	Pkg qty
Auillary contact OA1G10 (normally open)	2CMA144690R1000	1
Auillary contact OA1G01 (normally closed)	2CMA144691R1000	







# Industrial plugs and sockets

## Tough & Safe

### Plugs



Type P...  
63 A, IP44



Type P...W  
16A...125 A, IP67

### Connectors



Type C...  
63 A, IP44



Type C...W  
16 A...125 A, IP67

### Inlets



For wall mounting, Type BS...  
63 A, IP44



For wall mounting, Type BS...W  
16 A...125 A, IP67

### Socket outlet



For wall mounting, Type RS...  
63 A, IP44



For wall mounting, Type RS...W  
16 A...125 A, IP67



For panel mounting with  
straight flange, Type ...BU...  
63 A, IP44



For panel mounting with  
straight flange, Type BU...W  
63 A...125 A, IP67



For panel mounting with unified  
straight flange, Type RU...  
63 A, IP44



For panel mounting with unified  
angled flange, Type RAU...  
63 A, IP44



For panel mounting  
with angled flange,  
Type BAU ...W  
16-32A, IP67



For panel mounting with unified  
angled flange, Type RAU ...W  
16 A...32 A, IP67



For panel mounting with unified  
straight flange, Type RU...W  
63 A...125 A, IP67

# Product overview

## Tough & Safe

Tough & Safe is the range for applications in environments that have high demand of functionality and safety. The robust housing is made of PBT plastic. The range Tough & Safe is available as watertight (IP67, 16-125 A) and splashproof (IP44, 63 A).

The devices are equipped with internal and external cable clamps. The 63A and the 125 A devices are equipped with two screws on each terminal.

### Features

- IP67 Watertight or IP44 Splashproof
- 16-125 A, 50-690 VAC
- IEC 60 309-1, -2
- All external screws are made of stainless steel

### Application examples

- Industry/workshops
- Harbours/shipyards
- Mines
- Food & beverage

Clear marking, at the front and the rear of the terminals  
Ground  $\perp$   
Neutral N  
Phase L1, L2, L3

External screws made of stainless steel

Robust plastic housing that withstands most chemicals found in industrial environments

Internal and external cable clamp

Clean brass pins

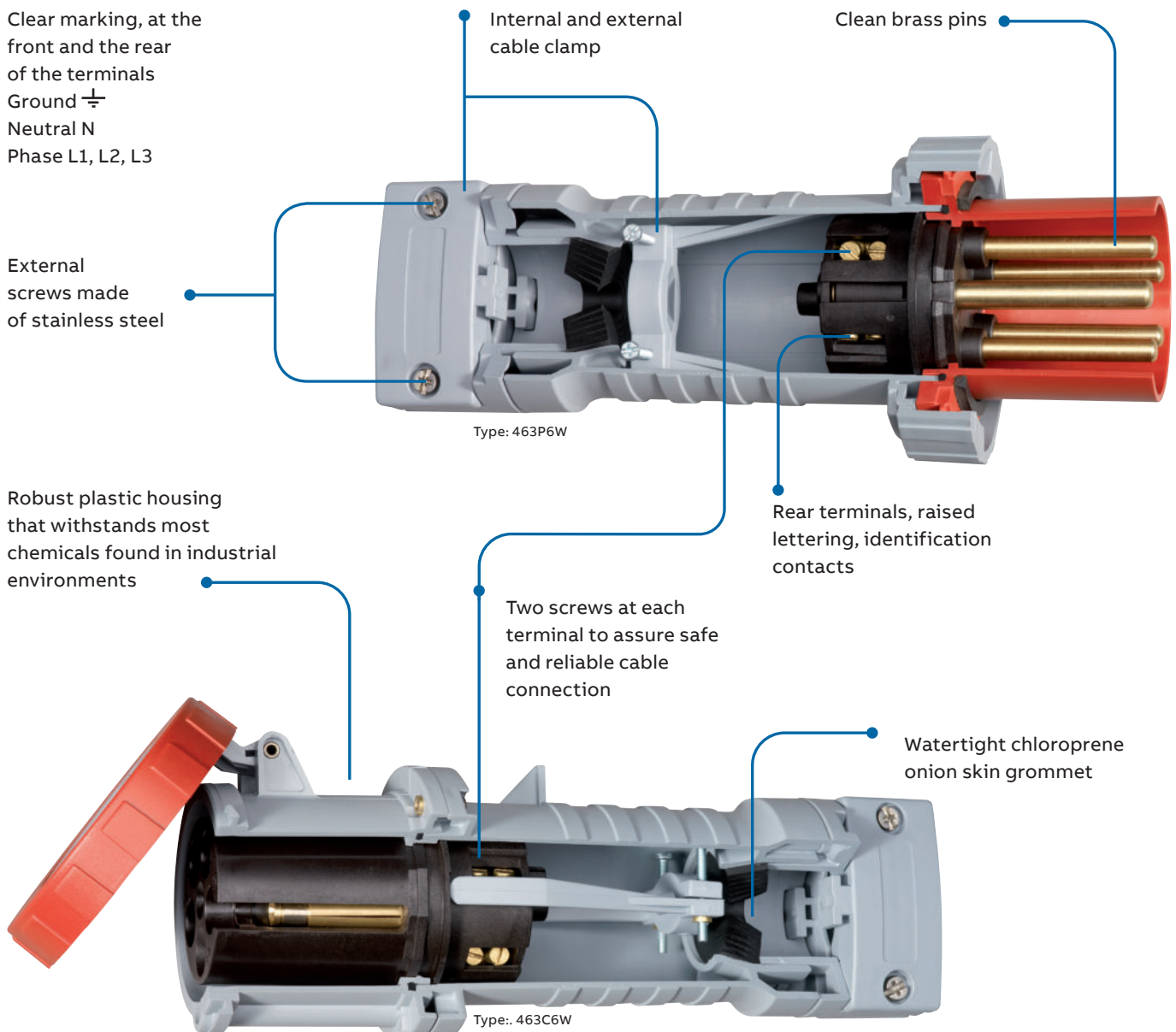
Type: 463P6W

Rear terminals, raised lettering, identification contacts

Two screws at each terminal to assure safe and reliable cable connection

Watertight chloroprene onion skin grommet

Type: 463C6W



## Plugs

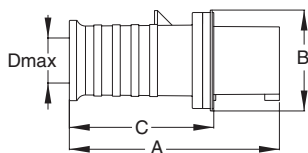


463P6

### 63 A, IP44 Splashproof

Plastic enclosure (PBT). Cable entry with membrane. Cable area 4-16 mm<sup>2</sup>. With pilot contact.

Terminals/ Poles	Color code	Voltage V	Frequency Hz	Type	Order Code	Pkg qty	Weight
							pkg (1pce)
2P+E							
3	Grey		AC	263P1	2CMA166746R1000	1	0.60
	Yellow	100...130	50 and 60	263P4	2CMA166740R1000		
	Blue	200...250		263P6	2CMA166742R1000		
	Blue	200...250		263P9	2CMA166744R1000		
3P+E							
4	Grey		AC	363P1	2CMA166760R1000	1	0.70
	Black	600...690	50 and 60	363P5	2CMA166750R1000		
	Red	380...415		363P6	2CMA166752R1000		
	Black	480...500		363P7	2CMA166754R1000		
	Blue	200...250		363P9	2CMA166756R1000		
	Red	440...460	60	363P11	2CMA166758R1000		
3P+N+E							
5	Red	346...415	50 and 60	463P6	2CMA166764R1000	1	0.75



### Dimensions (mm)

Type	A	B	C	Dmax
263-463P..	215	103	148	35

## Plugs

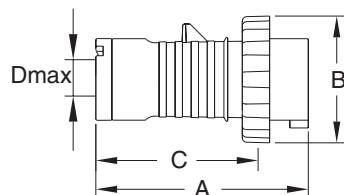


216P6W

### 16 A, IP67 Watertight

Plastic enclosure (PBT). Cable entry with compression gland. Cable area 1-2.5 mm<sup>2</sup>.

Terminals/ Poles	Color code	Voltage V	Frequency Hz	Type	Order Code	Pkg qty	Weight
							pkg (1pce)
kg							
<b>2P+E</b>							
3	Grey		AC	216P1W	2CMA166466R1000	1	0.18
	Grey	>50...250	DC	216P3W	2CMA166456R1000		
	Yellow	100...130	50 and 60	216P4W	2CMA166458R1000		
	Blue	200...250		216P6W	2CMA166460R1000		
	Red	380...415		216P9W	2CMA166462R1000		
	Grey	transf		216P12W	2CMA166464R1000		
<b>3P+E</b>							
4	Grey		AC	316P1W	2CMA166486R1000	1	0.24
	Green	> 50 V~	>300...500	316P2W	2CMA166468R1000		
	Red	380/440	50/60	316P3W	2CMA166470R1000		
	Yellow	100...130	50 and 60	316P4W	2CMA166472R1000		
	Black	600...690		316P5W	2CMA166474R1000		
	Red	380...415		316P6W	2CMA166476R1000		
	Black	480...500		316P7W	2CMA166478R1000		
	Blue	200...250		316P9W	2CMA166480R1000		
	Green	> 50 V~	100...300	316P10W	2CMA166482R1000		
	Red	440...460	60	316P11W	2CMA166484R1000		
	<b>3P+N+E</b>						
5	Grey		AC	416P1W	2CMA166502R1000	1	0.26
	Green	> 50 V~	>300...500	416P2W	2CMA166488R1000		
	Yellow	100...130	50 and 60	416P4W	2CMA166492R1000		
	Black	600...690		416P5W	2CMA126773R1000		
	Red	346...415		416P6W	2CMA166494R1000		
	Black	480...500		416P7W	2CMA166496R1000		
	Blue	208...250		416P9W	2CMA166498R1000		
	Red	440...460	60	416P11W	2CMA166500R1000		



### Dimensions (mm)

Type	A	B	C	Dmax
216P..W	128	71	94	13
316P..W	144	79	111	17
416P..W	146	87	112	17

## Plugs

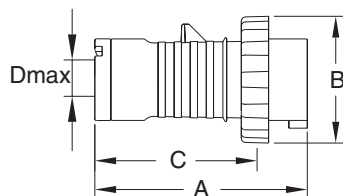


432P6W

### 32 A, IP67 Watertight

Plastic enclosure (PBT). Cable entry with compression gland. Cable area 2.5-6 mm<sup>2</sup>

Terminals/ Poles	Color code	Voltage V	Frequency Hz	Type	Order Code	Pkg qty	Weight
							pkg (1pce) kg
<b>2P+E</b>							
3	Grey		AC	232P1W	2CMA166728R1000	1	0.28
	Grey	> 50...250	DC	232P3W	2CMA105986R1000		
	Yellow	100...130	50 and 60	232P4W	2CMA166504R1000		
	Blue	200...250		232P6W	2CMA166722R1000		
	Red	380...415		232P9W	2CMA166724R1000		
	Grey	transf		232P12W	2CMA166726R1000		
<b>3P+E</b>							
4	Grey		AC	332P1W	2CMA166516R1000	1	0.30
	Green	> 50 V~	>300...500	332P2W	2CMA166730R1000		
	Red	380/440	50/60	332P3W	2CMA166732R1000		
	Yellow	100...130	50 and 60	332P4W	2CMA166734R1000		
	Black	600...690		332P5W	2CMA166736R1000		
	Red	380...415		332P6W	2CMA166738R1000		
	Black	480...500		332P7W	2CMA166506R1000		
	Blue	200...250		332P9W	2CMA166508R1000		
	Green	> 50 V~	100...300	332P10W	2CMA166510R1000		
	Red	440...460	60	332P11W	2CMA166513R1000		
	<b>3P+N+E</b>						
5	Grey		AC	432P1W	2CMA166532R1000	1	0.32
	Green	> 50 V~	>300...500	432P2W	2CMA166518R1000		
	Red	380/440	50/60	432P3W	2CMA166520R1000		
	Yellow	100...130	50 and 60	432P4W	2CMA166522R1000		
	Black	600...690		432P5W	2CMA126656R1000		
	Red	346...415		432P6W	2CMA166524R1000		
	Black	480...500		432P7W	2CMA166526R1000		
	Blue	208...250		432P9W	2CMA166528R1000		
	Red	440...460	60	432P11W	2CMA166530R1000		



Dimensions (mm)

Type	A	B	C	Dmax
232P..W	147	94	105	21.5
332P..W	147	94	105	21.5
432P..W	161	101	119	21.5

## Plugs

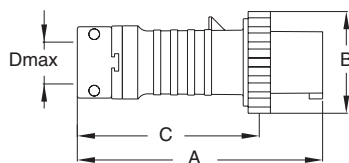


263P6W

### 63 A, IP67 Watertight

Plastic enclosure (PBT). Cable entry with compression gland, internal and external cable clamp. Cable area 4-16 mm<sup>2</sup>. With pilot contact.

Terminals/ Poles	Color code	Voltage V	Frequency Hz	Type	Order Code	Pkg qty	Weight
							pkg (1pce)
2P+E							
3	Grey		AC	263P1W	2CMA166780R1000	1	0.95
	Yellow	100...130	50 and 60	263P4W	2CMA166774R1000		
	Blue	200...250		263P6W	2CMA166776R1000		
	Red	380...415		263P9W	2CMA166778R1000		
3P+E							
4	Grey		AC	363P1W	2CMA166794R1000	1	1.05
	Yellow	100...130	50 and 60	363P4W	2CMA166782R1000		
	Black	600...690		363P5W	2CMA166784R1000		
	Red	380...415		363P6W	2CMA166786R1000		
	Black	480...500		363P7W	2CMA166788R1000		
	Blue	200...250		363P9W	2CMA166790R1000		
	Red	440...460	60	363P11W	2CMA166792R1000		
3P+N+E							
5	Grey		AC	463P1W	2CMA166806R1000	1	1.15
	Green	> 50 V~	>300...500	463P2W	2CMA168186R1000		
	Yellow	100...130	50 and 60	463P4W	2CMA166796R1000		
	Red	346...415		463P6W	2CMA166798R1000		
	Black	480...500		463P7W	2CMA166800R1000		
	Blue	208...250		463P9W	2CMA166802R1000		
	Red	440...460	60	463P11W	2CMA166804R1000		



### Dimensions (mm)

Type	A	B	C	Dmax
263-463P..W	275	114	213	41

## Plugs

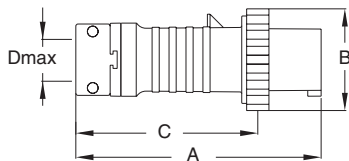


4125P6W

### 125 A, IP67 Watertight

Plastic enclosure (PBT). Cable entry with compression gland, internal and external cable clamp. Cable area 16-50 mm<sup>2</sup>. With pilot contact.

Terminals/ Poles	Color code	Voltage V	Frequency Hz	Type	Order Code	Pkg qty	Weight
							pkg (1pce)
							kg
<b>2P+E</b>							
3	Grey		AC	2125P1W	2CMA166812R1000	1	1.32
	Yellow	100...130	50 and 60	2125P4W	2CMA166808R1000		
	Blue	200...250		2125P6W	2CMA166810R1000		
<b>3P+E</b>							
4	Grey		AC	3125P1W	2CMA166824R1000	1	1.43
	Yellow	100...130	50 and 60	3125P4W	2CMA166814R1000		
	Black	600...690		3125P5W	2CMA166815R1000		
	Red	380...415		3125P6W	2CMA166816R1000		
	Black	480...500		3125P7W	2CMA166818R1000		
	Blue	200...250		3125P9W	2CMA166820R1000		
	Red	440...460	60	3125P11W	2CMA166822R1000		
<b>3P+N+E</b>							
5	Grey		AC	4125P1W	2CMA166836R1000	1	1.54
	Yellow	100...130	50 and 60	4125P4W	2CMA166826R1000		
	Black	600...690		4125P5W	2CMA126658R1000		
	Red	346...415		4125P6W	2CMA166828R1000		
	Black	480...500		4125P7W	2CMA166830R1000		
	Blue	208...250		4125P9W	2CMA166832R1000		
	Black	440...460	60	4125P11W	2CMA166834R1000		



### Dimensions (mm)

Type	A	B	C	Dmax
2125-4125P..W	313	130	242	48

## Connectors

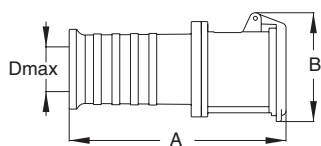


463C6

### 63 A, IP44 Splashproof

Plastic enclosure (PBT). Cable entry with membrane. Cable area 4-16 mm<sup>2</sup>. With pilot contact.

Terminals/ Poles	Color code	Voltage	Frequency	Type	Order Code	Pkg qty	Weight
		V	Hz				pkg (1pce) kg
<b>2P+E</b>							
3	Grey		AC	263C1	2CMA166844R1000	1	0.80
	Yellow	100...130	50 and 60	263C4	2CMA166838R1000		
	Blue	200...250		263C6	2CMA166840R1000		
	Red	380...415		263C9	2CMA166842R1000		
<b>3P+E</b>							
4	Grey		AC	363C1	2CMA166858R1000	1	0.83
	Yellow	100...130	50 and 60	363C4	2CMA166846R1000		
	Black	600...690		363C5	2CMA166848R1000		
	Red	380...415		363C6	2CMA166850R1000		
	Black	480...500		363C7	2CMA166852R1000		
	Blue	200...250		363C9	2CMA166854R1000		
	Red	440...460	60	363C11	2CMA166856R1000		
<b>3P+N+E</b>							
5	Grey		AC	463C1	2CMA166870R1000	1	0.88
	Black	600...690	50 and 60	463C5	2CMA126661R1000		
	Red	346...415		463C6	2CMA166862R1000		
	Black	480...500		463C7	2CMA166864R1000		
	Blue	200...250		463C9	2CMA166866R1000		



### Dimensions (mm)

Type	A	B	Dmax
263-463C..	224	112	35



## Connectors

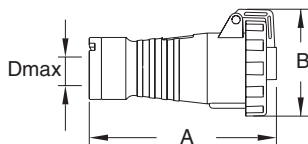


216C6W

### 16 A, IP67 Watertight

Plastic enclosure (PBT). Cable entry with compression gland. Cable area 1-2.5 mm<sup>2</sup>

Terminals/ Poles	Color code	Voltage V	Frequency Hz	Type	Order Code	Pkg qty	Weight
							pkg (1pce)
2P+E							
3	Grey		AC	216C1W	2CMA166544R1000	1	0.22
	Grey	>50...250	DC	216C3W	2CMA166534R1000		
	Yellow	100...130	50 and 60	216C4W	2CMA166536R1000		
	Blue	200...250		216C6W	2CMA166538R1000		
	Red	380...415	216C9W	2CMA166540R1000			
	Grey	transf	216C12W	2CMA166542R1000			
3P+E							
4	Grey		AC	316C1W	2CMA166564R1000	1	0.31
	Green	> 50 V~	>300...500	316C2W	2CMA166546R1000		
	Red	380/440	50/60	316C3W	2CMA166548R1000		
	Yellow	100...130	50 and 60	316C4W	2CMA166550R1000		
	Black	600...690		316C5W	2CMA166552R1000		
	Red	380...415	316C6W	2CMA166554R1000			
	Black	480...500	316C7W	2CMA166556R1000			
	Blue	200...250	316C9W	2CMA166558R1000			
	Green	> 50 V~	100...300	316C10W	2CMA166560R1000		
	Red	440...460	60	316C11W	2CMA166562R1000		
	3P+N+E						
5	Grey		AC	416C1W	2CMA166580R1000	1	0.32
	Green	> 50 V~	>300...500	416C2W	2CMA166566R1000		
	Red	380/440	50/60	416C3W	2CMA166568R1000		
	Yellow	100...130	50 and 60	416C4W	2CMA166570R1000		
	Black	600...690		416C5W	2CMA126662R1000		
	Red	346...415	416C6W	2CMA166572R1000			
	Black	480...500	416C7W	2CMA166574R1000			
	Blue	208...250	416C9W	2CMA166576R1000			
	Red	440...460	60	416C11W	2CMA166578R1000		



### Dimensions (mm)

Type	A	B	Dmax
216C..W	151	80	13
316C..W	168	88	17
416C..W	170	97	17

## Connectors

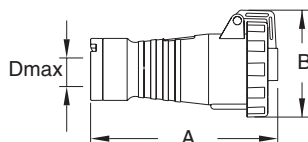


432C6W

### 32 A, IP67 Watertight

Plastic enclosure (PBT). Cable entry with compression gland. Cable area 2.5-6 mm<sup>2</sup>

Terminals/ Poles	Color code	Voltage V	Frequency Hz	Type	Order Code	Pkg qty	Weight
							pkg (1pce) kg
<b>2P+E</b>							
3	Grey		AC	232C1W	2CMA166590R1000	1	0.35
	Yellow	100...130	50 and 60	232C4W	2CMA166582R1000		
	Blue	200...250		232C6W	2CMA166584R1000		
	Red	380...415		232C9W	2CMA166586R1000		
	Grey	transf		232C12W	2CMA166588R1000		
<b>3P+E</b>							
4	Grey		AC	332C1W	2CMA166592R1000	1	0.38
	Green	> 50 V~	>300...500	332C2W	2CMA166596R1000		
	Red	380/440	50/60	332C3W	2CMA166598R1000		
	Yellow	100...130	50 and 60	332C4W	2CMA166600R1000		
	Black	600...690		332C5W	2CMA166602R1000		
	Red	380...415		332C6W	2CMA166604R1000		
	Black	480...500		332C7W	2CMA166606R1000		
	Blue	200...250		332C9W	2CMA166608R1000		
	Green	> 50 V~	100...300	332C10W	2CMA166610R1000		
	Red	440...460	60	332C11W	2CMA166594R1000		
	<b>3P+N+E</b>						
5	Grey		AC	432C1W	2CMA166526R1000	1	0.41
	Green	> 50 V~	>300...500	432C2W	2CMA166612R1000		
	Red	380/440	50/60	432C3W	2CMA166614R1000		
	Yellow	100...130	50 and 60	432C4W	2CMA166616R1000		
	Black	600...690		432C5W	2CMA126663R1000		
	Red	346...415		432C6W	2CMA166618R1000		
	Black	480...500		432C7W	2CMA166620R1000		
	Blue	208...250		432C9W	2CMA166622R1000		
	Red	440...460	60	432C11W	2CMA166624R1000		



### Dimensions (mm)

Type	A	B	Dmax
232C..W	177	102	21.5
332C..W	177	102	21.5
432C..W	182	109	21.5

## Connectors

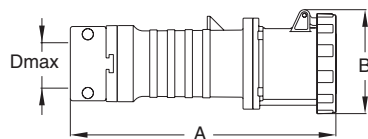


263C6W

### 63 A, IP67 Watertight

Plastic enclosure (PBT). Cable entry with compression gland. Internal and external cable clamp. Cable area 4-16 mm<sup>2</sup>. With pilot contact.

Terminals/ Poles	Color code	Voltage V	Frequency Hz	Type	Order Code	Pkg qty	Weight
							pkg (1pce)
							kg
<b>2P+E</b>							
3	Grey		AC	263C1W	2CMA166878R1000	1	0.80
	Yellow	100...130	50 and 60	263C4W	2CMA166872R1000		
	Blue	200...250		263C6W	2CMA166874R1000		
	Red	380...415		263C9W	2CMA166876R1000		
<b>3P+E</b>							
4	Grey		AC	363C1W	2CMA166902R1000	1	0.83
	Yellow	100...130	50 and 60	363C4W	2CMA166890R1000		
	Black	600...690		363C5W	2CMA166892R1000		
	Red	380...415		363C6W	2CMA166894R1000		
	Black	480...500		363C7W	2CMA166896R1000		
	Blue	200...250		363C9W	2CMA166898R1000		
	Red	440...460	60	363C11W	2CMA166900R1000		
<b>3P+N+E</b>							
5	Grey		AC	463C1W	2CMA166914R1000	1	0.88
	Green	> 50 V~	>300...500	463C2W	2CMA168184R1000		
	Yellow	100...130	50 and 60	463C4W	2CMA166904R1000		
	Red	346...415		463C6W	2CMA166906R1000		
	Black	480...500		463C7W	2CMA166908R1000		
	Blue	208...250		463C9W	2CMA166910R1000		
	Red	440...460	60	463C11W	2CMA166912R1000		



### Dimensions (mm)

Type	A	B	Dmax
263-463C..W	286	111	41

## Connectors



4125C6W

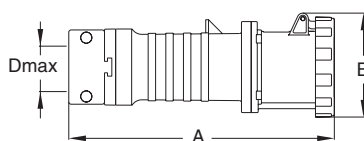
### 125 A, IP67 Watertight

Plastic enclosure (PBT). Cable entry with compression gland. Internal and external cable clamp. LP types with long phase sleeves and pilot contact. Cable area 16-50 mm<sup>2</sup>

Terminals/ Poles	Color code	Voltage V	Frequency Hz	Type	Order Code	Pkg qty	Weight
							pkg (1pce) kg
<b>2P+E</b>							
3	Grey		AC	2125C1W	2CMA166920R1000	1	1.37
	Yellow	100...130	50 and 60	2125C4W	2CMA166916R1000		
	Blue	200...250		2125C6W	2CMA166918R1000		
<b>3P+E</b>							
4	Grey		AC	3125C1W	2CMA166932R1000	1	1.41
	Yellow	100...130	50 and 60	3125C4W	2CMA166922R1000		
	Black	600...690		3125C5W	2CMA166923R1000		
	Red	380...415		3125C6W	2CMA166924R1000		
	Red	380...415		3125C6W LP*	2CMA169211R1000		
	Black	480...500		3125C7W	2CMA166926R1000		
	Blue	200...250		3125C9W	2CMA166928R1000		
	Red	440...460	60	3125C11W	2CMA166930R1000		
<b>3P+N+E</b>							
5	Grey		AC	4125C1W	2CMA166944R1000	1	1.53
	Yellow	100...130	50 and 60	4125C4W	2CMA166934R1000		
	Red	346...415		4125C6W	2CMA166936R1000		
	Red	346...415		4125C6W LP*	2CMA169212R1000		
	Black	480...500		4125C7W	2CMA166938R1000		
	Blue	208...250		4125C9W	2CMA166940R1000		
	Red	440...460	60	4125C11W	2CMA166942R1000		

\* LP: These products are equipped with pilot contacts. In all products with pilot contacts according to IEC 60 309-1 and -2, the pilot pin and sleeve are shorter than the other connecting pins and sleeves.

This means that the "pilot circuit" breaks before and connects after the main circuit giving optimum safety. The maximum connection area is 4 mm<sup>2</sup>



### Dimensions (mm)

Type	A	B	Dmax
2125-4125C..W	325	122	48

## Surface socket outlets

Plastic enclosed

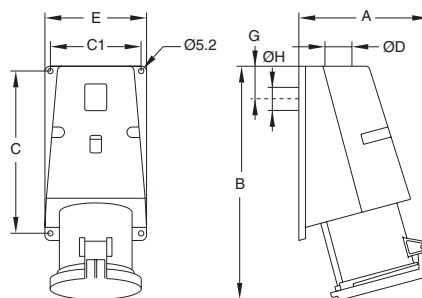


463RS6

### 63 A, IP44 Splashproof

Plastic enclosure (PBT). Cable entry M32, alternative rear knock-out. Cable area 6-25 mm<sup>2</sup>

Terminals/ Poles	Color code	Voltage V	Frequency Hz	Type	Order Code	Pkg qty	Weight
							pkg (1pce) kg
<b>2P+E</b>							
3	Grey		AC	263RS1	2CMA167480R1000	1	0.95
	Yellow	100...130	50 and 60	263RS4	2CMA167474R1000		
	Blue	200...250		263RS6	2CMA167476R1000		
	Red	380...415		263RS9	2CMA167478R1000		
<b>3P+E</b>							
4	Grey		AC	363RS1	2CMA167506R1000	1	0.99
	Yellow	100...130	50 and 60	363RS4	2CMA167494R1000		
	Black	600...690		363RS5	2CMA167496R1000		
	Red	380...415		363RS6	2CMA167498R1000		
	Black	480...500		363RS7	2CMA167500R1000		
	Blue	200...250		363RS9	2CMA167502R1000		
	Red	440...460		363RS11	2CMA167504R1000		
<b>3P+N+E</b>							
5	Grey		AC	463RS1	2CMA167492R1000	1	1.05
	Black	600...690	50 and 60	463RS5	2CMA126668R1000		
	Red	346...415		463RS6	2CMA167484R1000		
	Black	480...500		463RS7	2CMA167486R1000		
	Blue	200...250		463RS9	2CMA167488R1000		



### Dimensions (mm)

Type	A	B	C	C1	ØD	E	G	H
263-463RS..	136	254	170	95	M32	107	68	35

## Surface socket outlets

Plastic enclosed

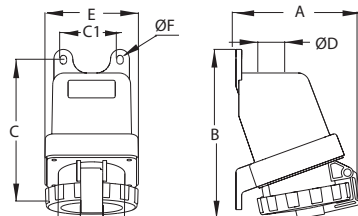


216RS6W

### 16 A, IP67 Watertight

Plastic enclosure (PBT). Cable entry  $\varnothing$  25 mm. Cable area 1.5-4 mm<sup>2</sup>

Terminals/ Poles	Color code	Voltage V	Frequency Hz	Type	Order Code	Pkg qty	Weight
							pkg (1pce)
							kg
<b>2P+E</b>							
3	Yellow	100...130	50 and 60	216RS4W	2CMA167148R1000	1	0.34
	Blue	200...250		216RS6W	2CMA167149R1000		
	Red	380...415	216RS9W	2CMA167150R1000			
	Grey	transf	216RS12W	2CMA167151R1000			
	Grey		AC	216RS1W	2CMA167152R1000		
<b>3P+E</b>							
4	Green	> 50 V~	>300...500	316RS2W	2CMA167153R1000	1	0.37
	Red	380/440	50/60	316RS3W	2CMA167154R1000		
	Yellow	100...130	50 and 60	316RS4W	2CMA167155R1000		
	Black	600...690		316RS5W	2CMA167156R1000		
	Red	380...415		316RS6W	2CMA167157R1000		
	Black	480...500		316RS7W	2CMA167158R1000		
	Blue	200...250		316RS9W	2CMA167159R1000		
	Green	> 50 V~	100...300	316RS10W	2CMA167160R1000		
	Red	440...460	60	316RS11W	2CMA167161R1000		
	Grey		AC	316RS1W	2CMA167162R1000		
<b>3P+N+E</b>							
5	Green	> 50 V~	>300...500	416RS2W	2CMA167163R1000	1	0.40
	Red	380/440	50/60	416RS3W	2CMA167164R1000		
	Yellow	100...130	50 and 60	416RS4W	2CMA167165R1000		
	Black	600...690		416RS5W	2CMA126669R1000		
	Red	346...415		416RS6W	2CMA167166R1000		
	Black	480...500		416RS7W	2CMA167167R1000		
	Blue	208...250		416RS9W	2CMA167168R1000		
	Red	440...460	60	416RS11W	2CMA167169R1000		
	Grey		AC	416RS1W	2CMA167170R1000		



### Dimensions (mm)

Type	A	B	C	C1	D	E	G	H
216RS..W	115	172	150	60	60	25	99	6.5
316RS..W	118	170	150	60	60	25	99	6.5
416RS..W	124	169	150	60	60	25	99	6.5

## Surface socket outlets

Plastic enclosed

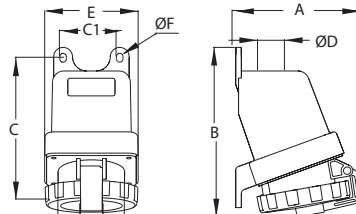


232RS6W

### 32 A, IP67 Watertight

Plastic enclosure (PBT). Cable entry  $\varnothing$  25 mm. Cable area 2.5-10 mm<sup>2</sup>

Terminals/ Poles	Color code	Voltage V	Frequency Hz	Type	Order Code	Pkg qty	Weight
							pkg (1pce)
							kg
<b>2P+E</b>							
3	Yellow	100...130	50 and 60	232RS4W	2CMA167171R1000	1	0.41
	Blue	200...250		232RS6W	2CMA167172R1000		
	Red	380...415	232RS9W	2CMA167173R1000			
	Grey	transf	232RS12W	2CMA167174R1000			
	Grey		AC	232RS1W	2CMA167175R1000		
<b>3P+E</b>							
4	Green	> 50 V~	>300...500	332RS2W	2CMA167176R1000	1	0.43
	Red	380/440	50/60	332RS3W	2CMA167177R1000		
	Yellow	100...130	50 and 60	332RS4W	2CMA167178R1000		
	Black	600...690		332RS5W	2CMA167179R1000		
	Red	380...415		332RS6W	2CMA167180R1000		
	Black	480...500		332RS7W	2CMA167181R1000		
	Blue	200...250		332RS9W	2CMA167182R1000		
	Green	> 50 V~	100...300	332RS10W	2CMA167183R1000		
	Red	440...460	60	332RS11W	2CMA167184R1000		
	Grey		AC	332RS1W	2CMA167185R1000		
<b>3P+N+E</b>							
5	Green	> 50 V~	>300...500	432RS2W	2CMA167186R1000	1	0.48
	Red	380/440	50/60	432RS3W	2CMA167187R1000		
	Yellow	100...130	50 and 60	432RS4W	2CMA167188R1000		
	Black	600...690		432RS5W	2CMA126670R1000		
	Red	346...415		432RS6W	2CMA167189R1000		
	Black	480...500		432RS7W	2CMA167190R1000		
	Blue	208...250		432RS9W	2CMA167191R1000		
	Red	440...460	60	432RS11W	2CMA167192R1000		
	Grey		AC	432RS1W	2CMA167193R1000		



### Dimensions (mm)

Type	A	B	C	C1	D	E	G	H
232RS..W	129	178	150	60	6	25	99	6.5
332RS..W	129	178	150	60	60	25	99	6.5
432RS..W	131	178	150	60	60	25	99	6.5

## Surface socket outlets

Plastic enclosed

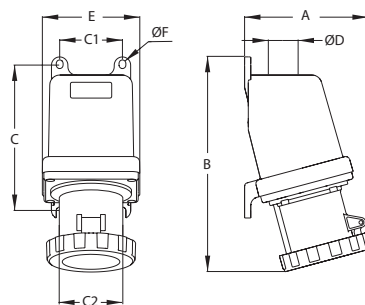


263RS6W

### 63 A, IP67 Watertight

Plastic enclosure (PBT). Cable entry  $\varnothing$  32 mm. Cable area 6-25 mm<sup>2</sup>

Terminals/ Poles	Color code	Voltage V	Frequency Hz	Type	Order Code	Pkg qty	Weight
							pkg (1pce) kg
<b>2P+E</b>							
3	Grey		AC	263RS1W	2CMA167310R1000	1	1.00
	Yellow	100...130	50 and 60	263RS4W	2CMA167304R1000		
	Blue	200...250		263RS6W	2CMA167306R1000		
	Red	380...415		263RS9W	2CMA167308R1000		
<b>3P+E</b>							
4	Grey		AC	363RS1W	2CMA167324R1000	1	1.07
	Yellow	100...130	50 and 60	363RS4W	2CMA167312R1000		
	Black	600...690		363RS5W	2CMA167314R1000		
	Red	380...415		363RS6W	2CMA167316R1000		
	Black	480...500		363RS7W	2CMA167318R1000		
	Blue	200...250		363RS9W	2CMA167320R1000		
	Red	440...460	60	363RS11W	2CMA167322R1000		
<b>3P+N+E</b>							
5	Grey		AC	463RS1W	2CMA167336R1000	1	1.15
	Yellow	100...130	50 and 60	463RS4W	2CMA167326R1000		
	Black	600...690		463RS5W	2CMA126671R1000		
	Red	346...415		463RS6W	2CMA167328R1000		
	Black	480...500		463RS7W	2CMA167330R1000		
	Blue	208...250		463RS9W	2CMA167332R1000		
	Red	440...460	60	463RS11W	2CMA167334R1000		



### Dimensions (mm)

Type	A	B	C	C1	C2	D	E	F
263-463RS..W	150	263	176	76	76	32	118	8.0



## Surface socket outlets

Plastic enclosed

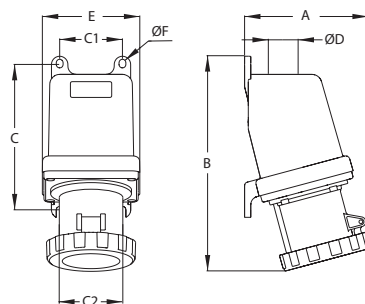


4125RS6W

### 125 A, IP67 Watertight

Plastic enclosure (PBT). Cable entry  $\varnothing$  50 mm. Cable area 16-70 mm<sup>2</sup>

Terminals/ Poles	Color code	Voltage	Frequency	Type	Order Code	Pkg qty	Weight
		V	Hz				pkg (1pce) kg
<b>2P+E</b>							
3	Grey		AC	2125RS1W	2CMA167248R1000	1	1.45
	Yellow	100...130	50 and 60	2125RS4W	2CMA167244R1000		
	Blue	200...250		2125RS6W	2CMA167246R1000		
<b>3P+E</b>							
4	Grey		AC	3125RS1W	2CMA167260R1000	1	1.55
	Yellow	100...130	50 and 60	3125RS4W	2CMA167250R1000		
	Black	600...690		3125RS5W	2CMA167251R1000		
	Red	380...415		3125RS6W	2CMA167252R1000		
	Black	480...500		3125RS7W	2CMA167254R1000		
	Blue	200...250		3125RS9W	2CMA167256R1000		
	Red	440...460	60	3125RS11W	2CMA167258R1000		
<b>3P+N+E</b>							
5	Grey		AC	4125RS1W	2CMA167272R1000	1	1.69
	Yellow	100...130	50 and 60	4125RS4W	2CMA167262R1000		
	Black	600...690		4125RS5W	2CMA126672R1000		
	Red	346...415		4125RS6W	2CMA167264R1000		
	Black	480...500		4125RS7W	2CMA167266R1000		
	Blue	208...250		4125RS9W	2CMA167268R1000		
	Red	440...460	60	4125RS11W	2CMA167270R1000		



### Dimensions (mm)

Type	A	B	C	C1	C2	D	E	F
2125-4125RS..W	171	282	188	102	85	50	145	9.0

## Surface socket outlets

For looping

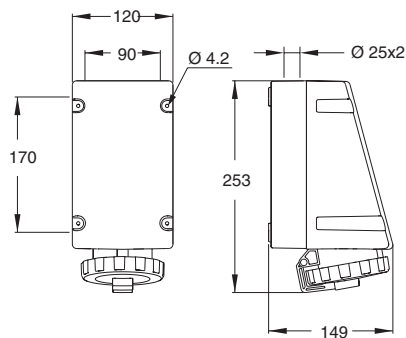


216RL6W

### 16 A, IP67 Watertight

Plastic enclosure (PBT). Cable entry knock-outs 2×Ø 25 mm. Terminal block 2×(2.5-10 mm<sup>2</sup>). Outlet is connected to terminal block.

Terminals/ Poles	Color code	Voltage	Frequency	Type	Order Code	Pkg qty	Weight
		V	Hz				pkg (1pce) kg
<b>2P+E</b>							
3	Grey		AC	216RL1W	2CMA168461R1000	1	0.63
	Grey	>50...250	DC	216RL3W	2CMA168456R1000		
	Yellow	100...130	50 and 60	216RL4W	2CMA168457R1000		
	Blue	200...250		216RL6W	2CMA168458R1000		
	Red	380...415		216RL9W	2CMA168459R1000		
	Grey	transf	DC	216RL12W	2CMA168460R1000		
<b>3P+E</b>							
4	Grey		AC	316RL1W	2CMA168471R1000	1	0.66
	Green	> 50 V~	>300...500	316RL2W	2CMA168462R1000		
	Red	380/440	50/60	316RL3W	2CMA168463R1000		
	Yellow	100...130	50 and 60	316RL4W	2CMA168464R1000		
	Black	600...690		316RL5W	2CMA168465R1000		
	Red	380...415		316RL6W	2CMA168466R1000		
	Black	480...500		316RL7W	2CMA168467R1000		
	Blue	200...250		316RL9W	2CMA168468R1000		
	Green	> 50 V~	100...300	316RL10W	2CMA168469R1000		
	Red	440...460	60	316RL11W	2CMA168470R1000		
	<b>3P+N+E</b>						
5	Grey		AC	416RL1W	2CMA168479R1000	1	0.68
	Green	> 50 V~	>300...500	416RL2W	2CMA168472R1000		
	Red	380/440	50/60	416RL3W	2CMA168473R1000		
	Yellow	100...130	50 and 60	416RL4W	2CMA168474R1000		
	Red	346...415		416RL6W	2CMA168475R1000		
	Black	480...500		416RL7W	2CMA168476R1000		
	Blue	208...250		416RL9W	2CMA168477R1000		
	Red	440...460	60	416RL11W	2CMA168478R1000		



## Surface socket outlets

For looping

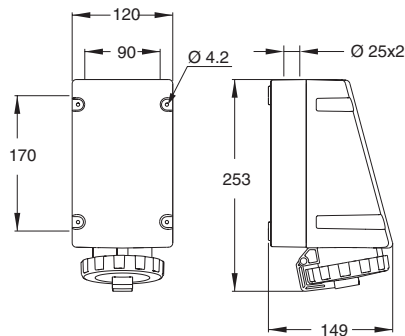


432RL6W

### 32 A, IP67 Watertight

Plastic enclosure (PBT). Cable entry knock-outs 2xØ 25 mm. Terminal block 2x(2.5-10 mm<sup>2</sup>). Outlet is connected to terminal block.

Terminals/ Poles	Color code	Voltage	Frequency	Type	Order Code	Pkg qty	Weight
		V	Hz				pkg (1pce) kg
<b>2P+E</b>							
3	Grey		AC	232RL1W	2CMA168484R1000	1	0.69
	Yellow	100...130	50 and 60	232RL4W	2CMA168480R1000		
	Blue	200...250		232RL6W	2CMA168481R1000		
	Red	380...415		232RL9W	2CMA168482R1000		
	Grey	transf		232RL12W	2CMA168483R1000		
<b>3P+E</b>							
4	Grey		AC	332RL1W	2CMA168494R1000	1	0.70
	Green	> 50 V~	>300...500	332RL2W	2CMA168485R1000		
	Red	380/440	50/60	332RL3W	2CMA168486R1000		
	Yellow	100...130	50 and 60	332RL4W	2CMA168487R1000		
	Black	600...690		332RL5W	2CMA168488R1000		
	Red	380...415		332RL6W	2CMA168489R1000		
	Black	480...500		332RL7W	2CMA168490R1000		
	Blue	200...250		332RL9W	2CMA168491R1000		
	Green	> 50 V~	100...300	332RL10W	2CMA168492R1000		
	Red	440...460	60	332RL11W	2CMA168493R1000		
	<b>3P+N+E</b>						
5	Grey		AC	432RL1W	2CMA168502R1000	1	0.72
	Green	> 50 V~	>300...500	432RL2W	2CMA168495R1000		
	Red	380/440	50/60	432RL3W	2CMA168496R1000		
	Yellow	100...130	50 and 60	432RL4W	2CMA168497R1000		
	Red	346...415		432RL6W	2CMA168498R1000		
	Black	480...500		432RL7W	2CMA168499R1000		
	Blue	208...250		432RL9W	2CMA168500R1000		
	Red	440...460	60	432RL11W	2CMA168501R1000		



## Surface socket outlets

For looping



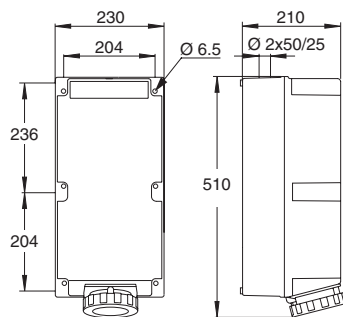
4125RL6W

### 125 A, IP67 Watertight

Plastic enclosure (PBT). Cable entry with knock-outs 2×Ø 50/25 mm. Terminal block 2×(16-70 mm<sup>2</sup>). Outlet is connected to terminal block.

Terminals/ Poles	Color code	Voltage V	Frequency Hz	Type	Order Code	Pkg qty	Weight
							pkg (1pce)
kg							
<b>2P+E</b>							
3	Grey		AC	2125RL1W	2CMA168528R1000	1	4.00
	Yellow	100...130	50 and 60	2125RL4W	2CMA168526R1000		
	Blue	200...250		2125RL6W	2CMA168527R1000		
<b>3P+E</b>							
4	Grey		AC	3125RL1W	2CMA168534R1000	1	4.10
	Yellow	100...130	50 and 60	3125RL4W	2CMA168529R1000		
	Red	380...415		3125RL6W	2CMA168530R1000		
	Black	480...500		3125RL7W	2CMA168531R1000		
	Blue	200...250		3125RL9W	2CMA168532R1000		
	Red	440...460	60	3125RL11W	2CMA168533R1000		
<b>3P+N+E</b>							
5	Grey		AC	4125RL1W	2CMA168540R1000	1	4.25
	Yellow	100...130	50 and 60	4125RL4W	2CMA168535R1000		
	Red	346...415		4125RL6W	2CMA168536R1000		
	Black	480...500		4125RL7W	2CMA168537R1000		
	Blue	208...250		4125RL9W	2CMA168538R1000		
	Red	440...460	60	4125RL11W	2CMA168539R1000		

- 2125 - 4125RL...W can be equipped with sealing up to 70 mm<sup>2</sup>.
- Cable clamps for Al available on request.
- RL...W have terminal block for 2 wire feeding under the same clamp.



2125 - 4125RL..W

## Surface inlets

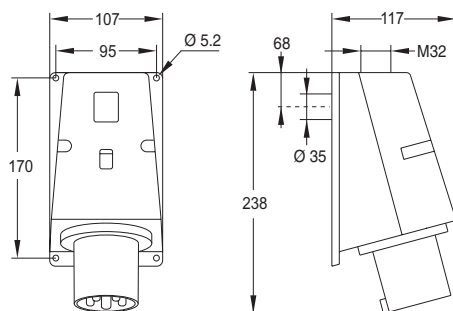


463BS6

### 63 A, IP44 Splashproof

Plastic enclosure (PBT). M32 alternative rear knock-out cable entry. Cable area 6-25 mm<sup>2</sup>.

Terminals/ Poles	Color code	Voltage	Frequency	Type	Order Code	Pkg qty	Weight
		V	Hz				pkg (1pce) kg
<b>2P+E</b>							
3	Grey		AC	263BS1	2CMA167548R1000	1	0.80
	Yellow	100...130	50 and 60	263BS4	2CMA167542R1000		
	Blue	200...250		263BS6	2CMA167544R1000		
	Red	380...415		263BS9	2CMA167546R1000		
<b>3P+E</b>							
4	Grey		AC	363BS1	2CMA167562R1000	1	0.85
	Yellow	100...130	50 and 60	363BS4	2CMA167550R1000		
	Black	600...690		363BS5	2CMA167552R1000		
	Red	380...415		363BS6	2CMA167554R1000		
	Black	480...500		363BS7	2CMA167556R1000		
	Blue	200...250		363BS9	2CMA167558R1000		
	Red	440...460	60	363BS11	2CMA167560R1000		
<b>3P+N+E</b>							
5	Grey		AC	463BS1	2CMA167574R1000	1	0.90
	Black	600...690	50 and 60	463BS5	2CMA126701R1000		
	Red	346...415		463BS6	2CMA167566R1000		
	Black	480...500		463BS7	2CMA167568R1000		
	Blue	200...250		463BS9	2CMA167570R1000		



## Surface inlets

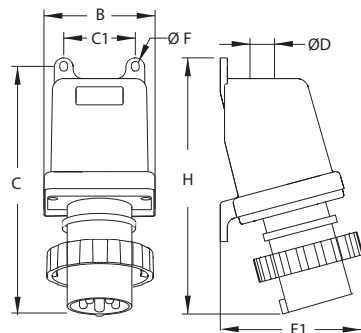


216BS6W

### 16 A, IP67 Watertight

Plastic enclosure (PBT). Cable entry  $\varnothing$  25 mm. Cable area 1.5-4 mm<sup>2</sup>.

Terminals/ Poles	Color code	Voltage V	Frequency Hz	Type	Order Code	Pkg qty	Weight
							pkg (1pce) kg
<b>2P+E</b>							
3	Grey		AC	216BS1W	2CMA167050R1000	1	0.36
	Green	> 50 V~	>300...500	216BS2W	2CMA167051R1000		
	Yellow	100...130	50 and 60	216BS4W	2CMA167042R1000		
	Blue	200...250		216BS6W	2CMA167044R1000		
	Red	380...415		216BS9W	2CMA167046R1000		
	Grey	transf		216BS12W	2CMA167048R1000		
<b>3P+E</b>							
4	Grey		AC	316BS1W	2CMA167070R1000	1	0.41
	Green	> 50 V~	>300...500	316BS2W	2CMA167052R1000		
	Red	380/440	50/60	316BS3W	2CMA167054R1000		
	Yellow	100...130	50 and 60	316BS4W	2CMA167056R1000		
	Black	600...690		316BS5W	2CMA167058R1000		
	Red	380...415		316BS6W	2CMA167060R1000		
	Black	480...500		316BS7W	2CMA167062R1000		
	Blue	200...250		316BS9W	2CMA167064R1000		
	Green	> 50 V~	100...300	316BS10W	2CMA167066R1000		
	Red	440...460	60	316BS11W	2CMA167068R1000		
	<b>3P+N+E</b>						
5	Grey		AC	416BS1W	2CMA167086R1000	1	0.43
	Green	> 50 V~	>300...500	416BS2W	2CMA167072R1000		
	Red	380/440	50/60	416BS3W	2CMA167074R1000		
	Yellow	100...130	50 and 60	416BS4W	2CMA167076R1000		
	Black	600...690		416BS5W	2CMA126774R1000		
	Red	346...415		416BS6W	2CMA167078R1000		
	Black	480...500		416BS7W	2CMA167080R1000		
	Blue	208...250		416BS9W	2CMA167082R1000		
	Red	440...460	60	416BS11W	2CMA167084R1000		



### Dimensions (mm)

Type	B	C	C1	D	E1	F	H
216BS..W	99	150	60	28.3	129	06.6	196
316BS..W	99	150	60	28.3	132	06.5	202
416BS..W	99	150	60	28.3	134	06.5	209

## Surface inlets

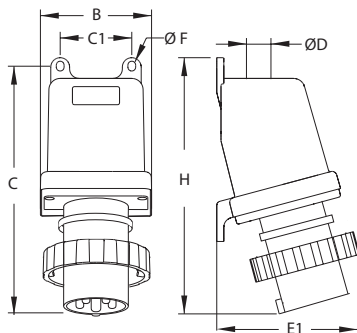


432BS6W

### 32 A, IP67 Watertight

Plastic enclosure (PBT). Cable entry  $\varnothing$  25 mm. Cable area 2.5-10 mm<sup>2</sup>.

Terminals/ Poles	Color code	Voltage V	Frequency Hz	Type	Order Code	Pkg qty	Weight
							pkg (1pce)
							kg
<b>2P+E</b>							
3	Grey		AC	232BS1W	2CMA167096R1000	1	0.44
	Yellow	100...130	50 and 60	232BS4W	2CMA167088R1000		
	Blue	200...250		232BS6W	2CMA167090R1000		
	Red	380...415		232BS9W	2CMA167092R1000		
	Grey	transf		232BS12W	2CMA167094R1000		
<b>3P+E</b>							
4	Grey		AC	332BS1W	2CMA167114R1000	1	0.46
	Green	> 50 V~	>300...500	332BS2W	2CMA167098R1000		
	Red	380/440	50/60	332BS3W	2CMA167100R1000		
	Yellow	100...130	50 and 60	332BS4W	2CMA167102R1000		
	Black	600...690		332BS5W	2CMA167103R1000		
	Red	380...415		332BS6W	2CMA167104R1000		
	Black	480...500		332BS7W	2CMA167106R1000		
	Blue	200...250		332BS9W	2CMA167108R1000		
	Green	> 50 V~	100...300	332BS10W	2CMA167110R1000		
	Red	440...460	60	332BS11W	2CMA167112R1000		
	<b>3P+N+E</b>						
5	Grey		AC	432BS1W	2CMA167130R1000	1	0.48
	Green	> 50 V~	>300...500	432BS2W	2CMA167116R1000		
	Red	380/440	50/60	432BS3W	2CMA167118R1000		
	Yellow	100...130	50 and 60	432BS4W	2CMA167120R1000		
	Black	600...690		432BS5W	2CMA126776R1000		
	Red	346...415		432BS6W	2CMA167122R1000		
	Black	480...500		432BS7W	2CMA167124R1000		
	Blue	208...250		432BS9W	2CMA167126R1000		
	Red	440...460	60	432BS11W	2CMA167128R1000		



Dimensions (mm)

Type	B	C	C1	D	E1	F	H
232BS..W	99	150	60	28.3	136	6.5	220
332BS..W	99	150	60	28.3	136	6.5	220
432BS..W	99	150	60	28.3	140	6.5	226

## Surface inlets

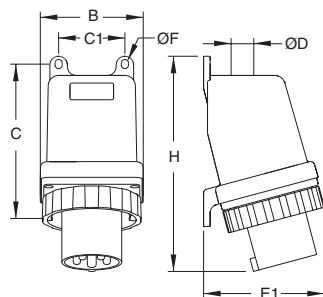


263BS6W

### 63 A, IP67 Watertight

Plastic enclosure (PBT). Cable entry  $\varnothing$  32 mm. Cable area 6-25 mm<sup>2</sup>.

Terminals/ Poles	Color code	Voltage V	Frequency Hz	Type	Order Code	Pkg qty	Weight
							pkg (1pce) kg
<b>2P+E</b>							
3	Grey		AC	263BS1W	2CMA167344R1000	1	1.20
	Yellow	100...130	50 and 60	263BS4W	2CMA167338R1000		
	Blue	200...250		263BS6W	2CMA167340R1000		
	Red	380...415		263BS9W	2CMA167342R1000		
<b>3P+E</b>							
4	Grey		AC	363BS1W	2CMA167358R1000	1	1.30
	Yellow	100...130	50 and 60	363BS4W	2CMA167346R1000		
	Black	600...690		363BS5W	2CMA167348R1000		
	Red	380...415		363BS6W	2CMA167350R1000		
	Black	480...500		363BS7W	2CMA167352R1000		
	Blue	200...250		363BS9W	2CMA167354R1000		
	Red	440...460	60	363BS11W	2CMA167356R1000		
<b>3P+N+E</b>							
5	Grey		AC	463BS1W	2CMA167370R1000	1	1.40
	Yellow	100...130	50 and 60	463BS4W	2CMA167360R1000		
	Black	600...690		463BS5W	2CMA126775R1000		
	Red	346...415		463BS6W	2CMA167362R1000		
	Black	480...500		463BS7W	2CMA167364R1000		
	Blue	208...250		463BS9W	2CMA167366R1000		
	Red	440...460	60	463BS11W	2CMA167368R1000		



Dimensions (mm)

Type	B	C	C1	D	E1	F	H
263-463BS..W	118	176	76	38	138	8	249



## Surface inlets

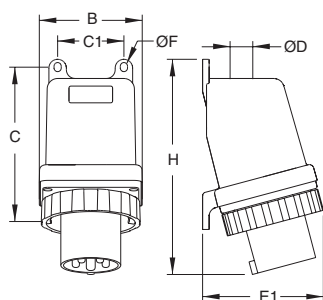


4125BS6W

### 125 A, IP67 Watertight

Plastic enclosure (PBT). Cable entry  $\varnothing$  50 mm. Cable area 16-70 mm<sup>2</sup>.

Terminals/ Poles	Color code	Voltage	Frequency	Type	Order Code	Pkg qty	Weight
		V	Hz				pkg (1pce) kg
<b>2P+E</b>							
3	Grey		AC	2125BS1W	2CMA167278R1000	1	4.00
	Yellow	100...130	50 and 60	2125BS4W	2CMA167274R1000		
	Blue	200...250		2125BS6W	2CMA167276R1000		
<b>3P+E</b>							
4	Grey		AC	3125BS1W	2CMA167290R1000	1	4.10
	Yellow	100...130	50 and 60	3125BS4W	2CMA167280R1000		
	Red	380...415		3125BS6W	2CMA167282R1000		
	Black	480...500		3125BS7W	2CMA167284R1000		
	Blue	200...250		3125BS9W	2CMA167286R1000		
	Red	440...460	60	3125BS11W	2CMA167288R1000		
<b>3P+N+E</b>							
5	Grey		AC	4125BS1W	2CMA167302R1000	1	4.25
	Yellow	100...130	50 and 60	4125BS4W	2CMA167292R1000		
	Black	600...690		4125BS5W	2CMA126705R1000		
	Red	346...415		4125BS6W	2CMA167294R1000		
	Black	480...500		4125BS7W	2CMA167296R1000		
	Blue	208...250		4125BS9W	2CMA167298R1000		
	Red	440...460	60	4125BS11W	2CMA167300R1000		



### Dimensions (mm)

Type	B	C	C1	D	E1	F	H
2125-4125BS..W	145	188	85	47	160	9	265

## Panel mounted socket outlets

Unified straight flange

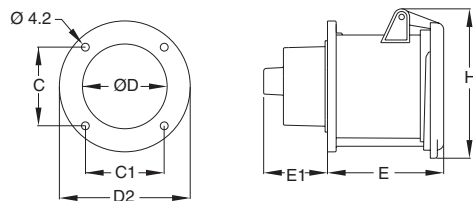


463RU6

### 63 A, IP44 Splashproof

Plastic enclosure (PBT). Cable area 6-25 mm<sup>2</sup>.

Terminals/ Poles	Color code	Voltage V	Frequency Hz	Type	Order Code	Pkg qty	Weight
							pkg (1pce)
kg							
<b>2P+E</b>							
3	Grey		AC	263RU1	2CMA167514R1000	1	0.60
	Yellow	100...130	50 and 60	263RU4	2CMA167508R1000		
	Blue	200...250		263RU6	2CMA167510R1000		
<b>3P+E</b>							
4	Grey		AC	363RU1	2CMA167528R1000	1	0.69
	Black	600...690	50 and 60	363RU5	2CMA167518R1000		
	Red	380...415		363RU6	2CMA167520R1000		
	Black	480...500		363RU7	2CMA167522R1000		
	Blue	200...250		363RU9	2CMA167524R1000		
<b>3P+N+E</b>							
5	Grey		AC	463RU1	2CMA167540R1000	1	0.76
	Black	600...690	50 and 60	463RU5	2CMA126675R1000		
	Red	346...415		463RU6	2CMA167532R1000		



### Dimensions (mm)

Type	C	C1	D	D2	E	E1	H
263-463RU..	61	61	70	104	87	48	112

## Panel mounted socket outlets

Unified straight flange

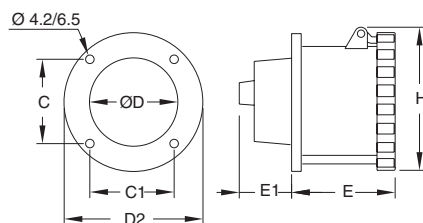


263RU6W

### 63 A, IP67 Watertight

Plastic enclosure (PBT). Cable area 6-25 mm<sup>2</sup>. With pilot contact.

Terminals/ Poles	Color code	Voltage V	Frequency Hz	Type	Order Code	Pkg qty	Weight
							pkg (1pce)
							kg
<b>2P+E</b>							
3	Grey		AC	263RU1W	2CMA167378R1000	1	0.64
	Yellow	100...130	50 and 60	263RU4W	2CMA167372R1000		
	Blue	200...250		263RU6W	2CMA167374R1000		
	Red	380...415		263RU9W	2CMA167376R1000		
<b>3P+E</b>							
4	Grey		AC	363RU1W	2CMA167392R1000	1	0.69
	Yellow	100...130	50 and 60	363RU4W	2CMA167380R1000		
	Black	600...690		363RU5W	2CMA167382R1000		
	Red	380...415		363RU6W	2CMA167384R1000		
	Black	480...500		363RU7W	2CMA167386R1000		
	Blue	200...250		363RU9W	2CMA167388R1000		
	Red	440...460	60	363RU11W	2CMA167390R1000		
<b>3P+N+E</b>							
5	Grey		AC	463RU1W	2CMA167404R1000	1	0.76
	Green	> 50 V~	>300...500	463RU2W	2CMA168182R1000		
	Yellow	100...130	50 and 60	463RU4W	2CMA167394R1000		
	Black	600...690		463RU5W	2CMA126676R1000		
	Red	346...415		463RU6W	2CMA167396R1000		
	Black	480...500		463RU7W	2CMA167398R1000		
	Blue	208...250		463RU9W	2CMA167400R1000		
	Red	440...460	60	463RU11W	2CMA167402R1000		



### Dimensions (mm)

Type	C	C1	D	D2	E	E1	H
263RU...W...463RU...W	61	61	70	104	89	48	111

## Panel mounted socket outlets

### Unified straight flange



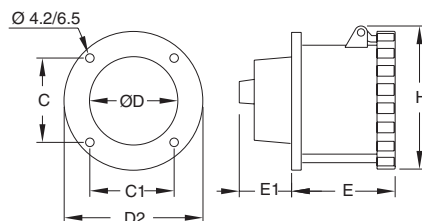
4125RU6W

#### 125 A, IP67 Watertight

Plastic enclosure (PBT). LP types with long phase sleeves and pilot contact. Cable area 16-70 mm<sup>2</sup>..

Terminals/ Poles	Color code	Voltage V	Frequency Hz	Type	Order Code	Pkg qty	Weight
							pkg (1pce) kg
<b>2P+E</b>							
3	Grey		AC	2125RU1W	2CMA167134R1000	1	0.85
	Yellow	100...130	50 and 60	2125RU4W	2CMA167132R1000		
	Blue	200...250		2125RU6W	2CMA167133R1000		
	Blue	200...250		2125RU6W LP	2CMA192729R1000		
<b>3P+E</b>							
4	Grey		AC	3125RU1W	2CMA167140R1000	1	1.00
	Yellow	100...130	50 and 60	3125RU4W	2CMA167135R1000		
	Black	600...690		3125RU5W	2CMA126718R1000		
	Red	380...415		3125RU6W	2CMA167136R1000		
	Red	380...415		3125RU6W LP	2CMA192730R1000		
	Black	480...500		3125RU7W	2CMA167137R1000		
	Black	480...500		3125RU7W LP	2CMA101865R1000		
	Blue	200...250		3125RU9W	2CMA167138R1000		
	Blue	200...250		3125RU9W LP	2CMA101866R1000		
	Red	440...460	60	3125RU11W	2CMA167139R1000		
	Red	440...460		3125RU11W LP	2CMA101867R1000		
	<b>3P+N+E</b>						
5	Grey		AC	4125RU1W	2CMA167146R1000	1	1.14
	Yellow	100...130	50 and 60	4125RU4W	2CMA167141R1000		
	Red	346...415		4125RU6W	2CMA167142R1000		
	Red	346...415		4125RU6W LP	2CMA169213R1000		
	Black	480...500		4125RU7W	2CMA167143R1000		
	Blue	208...250		4125RU9W	2CMA167144R1000		
	Red	440...460	60	4125RU11W	2CMA167145R1000		

- Delivered with flange gasket.



#### Dimensions (mm)

Type	C	C1	D	D2	E	E1	H
2125RU...W...4125RU..W	71	71	88	115	100	58	122

## Panel mounted socket outlets

Unified straight flange



3125RF6W LP

### 125 A, IP67 Watertight

Thermoplastic enclosure (PBT). Screw calmps. Cable area 16-70 mm<sup>2</sup>. With pilot contact.

Terminals/ Poles	Color code	Voltage V	Frequency Hz	Type	Order Code	Pkg qty	Weight
							pkg (1pce) kg
<b>2P+E</b>							
3	Blue	200...250	50 and 60	2125RF6W LP	2CMA101881R1000	1	1.2
<b>3P+E</b>							
4	Grey		AC	3125RF1W LP	2CMA101874R1000	1	1.23
	Yellow	100...130	50 and 60	3125RF4W LP	2CMA101875R1000		
	Black	600...690		3125RF5W LP	2CMA101876R1000		
	Red	380...415		3125RF6W LP	2CMA101877R1000		
	Black	480...500		3125RF7W LP	2CMA101878R1000		
	Blue	200...250		3125RF9W LP	2CMA101879R1000		
	Red	440...460	60	3125RF11W LP	2CMA101880R1000		
<b>3P+N+E</b>							
5	Green	> 50 V~	>300...500	4125RF2W LP	2CMA101871R1000	1	1.3
	Red	200/346...	50 and 60	4125RF6W LP	2CMA101870R1000		
		240/415					
	Blue	120/208...	4125RF9W LP	2CMA101872R1000			
		144/250					
Red	250/440...	4125RF11W LP	2CMA101873R1000				
	265/460	60					

These products are equipped with pilot contacts. In all products with pilot contacts according to IEC 60 309-1 and -2, the pilot pin and sleeve are shorter than the other connecting pins and sleeves.

This means that the "pilot circuit" breaks before and connects after the main circuit giving optimum safety. The maximum connection area is 4 mm<sup>2</sup>.

## Panel mounted socket outlets

Unified angled flange

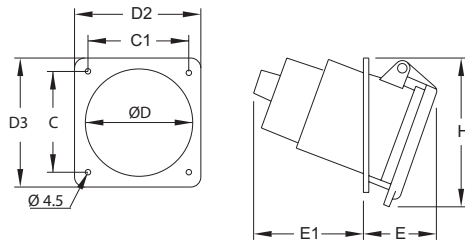


463RAU6

### 63 A, IP44 Splashproof

Plastic enclosure (PBT). Cable area 6-25 mm<sup>2</sup>. With pilot contact.

Terminals/ Poles	Color code	Voltage V	Frequency Hz	Type	Order Code	Pkg qty	Weight
							pkg (1pce)
							kg
<b>2P+E</b>							
3	Grey		AC	263RAU1	2CMA167412R1000	1	0.60
	Yellow	100...130	50 and 60	263RAU4	2CMA167406R1000		
	Blue	200...250		263RAU6	2CMA167408R1000		
<b>3P+E</b>							
4	Grey		AC	363RAU1	2CMA167426R1000	1	0.63
	Black	600...690	50 and 60	363RAU5	2CMA167416R1000		
	Red	380...415		363RAU6	2CMA167418R1000		
	Black	480...500		363RAU7	2CMA167420R1000		
	Blue	200...250		363RAU9	2CMA167422R1000		
<b>3P+N+E</b>							
5	Grey		AC	463RAU1	2CMA167438R1000	1	0.69
	Black	600...690	50 and 60	463RAU5	2CMA126680R1000		
	Red	346...415		463RAU6	2CMA167430R1000		
	Blue	200...250		463RAU9	2CMA101700R1000		



### Dimensions (mm)

Type	C	C1	D	D2	D3	E	E1	H
263-463RAU..	84	80	92	100	104	62	73	111

## Panel mounted socket outlets

Unified angled flange

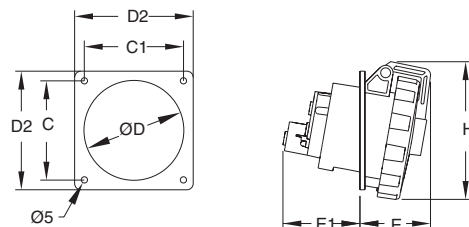


216RAU6W

### 16 A, IP67 Watertight

Plastic enclosure (PBT). Cable area 1.5-4 mm<sup>2</sup>.

Terminals/ Poles	Color code	Voltage V	Frequency Hz	Type	Order Code	Pkg qty	Weight
							pkg (1pce)
							kg
<b>2P+E</b>							
3	Grey		AC	216RAU1W	2CMA167002R1000	1	0.12
	Yellow	100...130	50 and 60	216RAU4W	2CMA166994R1000		
	Blue	200...250		216RAU6W	2CMA166996R1000		
	Red	380...415		216RAU9W	2CMA166998R1000		
	Grey	transf		216RAU12W	2CMA167000R1000		
<b>3P+E</b>							
4	Grey		AC	316RAU1W	2CMA167022R1000	1	0.15
	Green	> 50 V~	>300...500	316RAU2W	2CMA167004R1000		
	Red	380/440	50/60	316RAU3W	2CMA167006R1000		
	Yellow	100...130	50 and 60	316RAU4W	2CMA167008R1000		
	Black	600...690		316RAU5W	2CMA167010R1000		
	Red	380...415		316RAU6W	2CMA167012R1000		
	Black	480...500		316RAU7W	2CMA167014R1000		
	Blue	200...250		316RAU9W	2CMA167016R1000		
	Green	> 50 V~	100...300	316RAU10W	2CMA167018R1000		
	Red	440...460	60	316RAU11W	2CMA167020R1000		
	<b>3P+N+E</b>						
5	Grey		AC	416RAU1W	2CMA167038R1000	1	0.18
	Green	> 50 V~	>300...500	416RAU2W	2CMA167024R1000		
	Red	380/440	50/60	416RAU3W	2CMA167026R1000		
	Yellow	100...130	50 and 60	416RAU4W	2CMA167028R1000		
	Black	600...690		416RAU5W	2CMA126681R1000		
	Red	346...415		416RAU6W	2CMA167030R1000		
	Black	480...500		416RAU7W	2CMA167032R1000		
	Blue	208...250		416RAU9W	2CMA167034R1000		
	Red	440...460	60	416RAU11W	2CMA167036R1000		



### Dimensions (mm)

Type	C	C1	D	D2	E	E1	H
216RAU..W	79.5	79.5	83	95	45	57	95
316RAU..W	79.5	79.5	83	95	45	57	95
416RAU..W	79.5	79.5	83	95	47	57	99

## Panel mounted socket outlets

### Unified angled flange

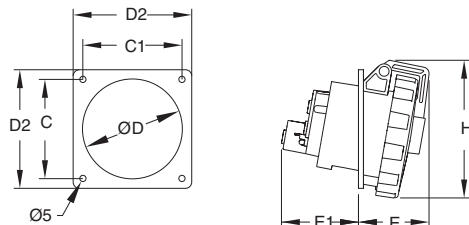


432RAU6W

#### 32 A, IP67 Watertight

Plastic enclosure (PBT). Cable area 2.5-10 mm<sup>2</sup>.

Terminals/ Poles	Color code	Voltage V	Frequency Hz	Type	Order Code	Pkg qty	Weight
							pkg (1pce)
							kg
<b>2P+E</b>							
3	Grey		AC	232RAU1W	2CMA166954R1000	1	0.19
	Yellow	100...130	50 and 60	232RAU4W	2CMA166946R1000		
	Blue	200...250		232RAU6W	2CMA166948R1000		
	Red	380...415		232RAU9W	2CMA166950R1000		
	Grey	transf		232RAU12W	2CMA166952R1000		
<b>3P+E</b>							
4	Grey		AC	332RAU1W	2CMA166974R1000	1	0.21
	Green	> 50 V~	>300...500	332RAU2W	2CMA166956R1000		
	Red	380/440	50/60	332RAU3W	2CMA166958R1000		
	Yellow	100...130	50 and 60	332RAU4W	2CMA166960R1000		
	Black	600...690		332RAU5W	2CMA166962R1000		
	Red	380...415		332RAU6W	2CMA166964R1000		
	Black	480...500		332RAU7W	2CMA166966R1000		
	Blue	200...250		332RAU9W	2CMA166968R1000		
	Green	> 50 V~	100...300	332RAU10W	2CMA166970R1000		
	Red	440...460	60	332RAU11W	2CMA166972R1000		
	<b>3P+N+E</b>						
5	Grey		AC	432RAU1W	2CMA166990R1000	1	0.26
	Green	> 50 V~	>300...500	432RAU2W	2CMA166976R1000		
	Red	380/440	50/60	432RAU3W	2CMA166978R1000		
	Yellow	100...130	50 and 60	432RAU4W	2CMA166980R1000		
	Black	600...690		432RAU5W	2CMA126682R1000		
	Red	346...415		432RAU6W	2CMA166982R1000		
	Black	480...500		432RAU7W	2CMA166984R1000		
	Blue	208...250		432RAU9W	2CMA166986R1000		
	Red	440...460	60	432RAU11W	2CMA166988R1000		



#### Dimensions (mm)

Type	C	C1	D	D2	E	E1	H
232RAU..W	79.5	79.5	83	95	56	61	104
332RAU..W	79.5	79.5	83	95	56	61	104
432RAU..W	79.5	79.5	83	95	56	62	111



## Panel mounted socket outlets

Unified angled flange



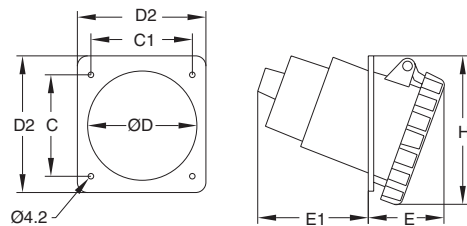
463RAU6W

### 63 A, IP67 Watertight

Plastic enclosure (PBT). Cable area 6-25 mm<sup>2</sup>. With pilot contact.

Terminals/ Poles	Color code	Voltage V	Frequency Hz	Type	Order Code	Pkg qty	Weight
							pkg (1pce)
							kg
<b>2P+E</b>							
3	Grey		AC	263RAU1W	2CMA167446R1000	1	0.60
	Yellow	100...130	50 and 60	263RAU4W	2CMA167440R1000		
	Blue	200...250		263RAU6W	2CMA167442R1000		
	Red	380...415		263RAU9W	2CMA167444R1000		
<b>3P+E</b>							
4	Grey		AC	363RAU1W	2CMA167460R1000	1	0.63
	Yellow	100...130	50 and 60	363RAU4W	2CMA167448R1000		
	Black	600...690		363RAU5W	2CMA167450R1000		
	Red	380...415		363RAU6W	2CMA167452R1000		
	Black	480...500		363RAU7W	2CMA167454R1000		
	Blue	200...250		363RAU9W	2CMA167456R1000		
	Red	440...460	60	363RAU11W	2CMA167458R1000		
<b>3P+N+E</b>							
5	Grey		AC	463RAU1W	2CMA167472R1000	1	0.69
	Yellow	100...130	50 and 60	463RAU4W	2CMA167462R1000		
	Black	600...690		463RAU5W	2CMA126683R1000		
	Red	346...415		463RAU6W	2CMA167464R1000		
	Black	480...500		463RAU7W	2CMA167466R1000		
	Blue	208...250		463RAU9W	2CMA167468R1000		
	Red	440...460	60	463RAU11W	2CMA167470R1000		

- Delivered with flange gasket.



### Dimensions (mm)

Type	C	C1	D	D2	E	E1	H
263-463RAU..W	84	80	92	104	61	71	115

## Panel mounted socket inlets

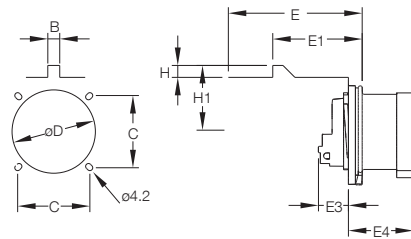
### Straight flange



463BU6

**63 A, IP44 Splashproof**  
Plastic enclosure (PBT). Cable area 6-25 mm<sup>2</sup>.

Terminals/ Poles	Color code	Voltage	Frequency	Type	Order Code	Pkg qty	Weight
		V	Hz				pkg (1pce) kg
<b>2P+E</b>							
3	Grey		AC	263BU1	2CMA167216R1000	1	0.50
	Blue	200...250	50 and 60	263BU6	2CMA167212R1000		
<b>3P+E</b>							
4	Grey		AC	363BU1	2CMA167230R1000	1	0.55
	Black	600...690	50 and 60	363BU5	2CMA167220R1000		
	Red	380...415		363BU6	2CMA167222R1000		
	Blue	200...250		363BU9	2CMA167226R1000		
<b>3P+N+E</b>							
5	Grey		AC	463BU1	2CMA167242R1000	1	0.60
	Red	346...415	50 and 60	463BU6	2CMA167234R1000		

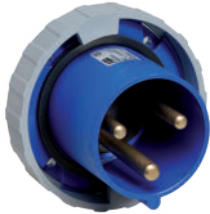


#### Dimensions (mm)

Type	B	C	D	E	E1	E3	E4	H	H1
263-463BU..	11	61	70	105	62.0	50.0	78.0	9	49.5

## Panel mounted socket inlets

### Straight flange



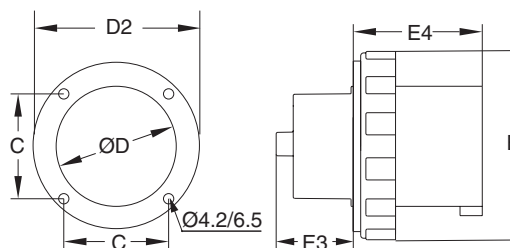
263BU6W

#### 63 A, IP67 Watertight

Plastic enclosure (PBT). Cable area 6-25 mm<sup>2</sup>.

Terminals/ Poles	Color code	Voltage V	Frequency Hz	Type	Order Code	Pkg qty	Weight
							pkg (1pce) kg
<b>2P+E</b>							
3	Grey		AC	263BU1W	2CMA168106R1000	1	0.50
	Yellow	100...130	50 and 60	263BU4W	2CMA168103R1000		
	Blue	200...250		263BU6W	2CMA168104R1000		
	Red	380...415		263BU9W	2CMA168105R1000		
<b>3P+E</b>							
4	Grey		AC	363BU1W	2CMA168113R1000	1	0.55
	Yellow	100...130	50 and 60	363BU4W	2CMA168107R1000		
	Black	600...690		363BU5W	2CMA168108R1000		
	Red	380...415		363BU6W	2CMA168109R1000		
	Black	480...500		363BU7W	2CMA168110R1000		
	Blue	200...250		363BU9W	2CMA168111R1000		
	Red	440...460	60	363BU11W	2CMA168112R1000		
<b>3P+N+E</b>							
5	Grey		AC	463BU1W	2CMA168119R1000	1	0.60
	Green	> 50 V~	>300...500	463BU2W	2CMA168180R1000		
	Yellow	100...130	50 and 60	463BU4W	2CMA168114R1000		
	Black	600...690		463BU5W	2CMA100859R1000		
	Red	346...415		463BU6W	2CMA168115R1000		
	Black	480...500		463BU7W	2CMA168116R1000		
	Blue	208...250		463BU9W	2CMA168117R1000		
	Red	440...460	60	463BU11W	2CMA168118R1000		

- Delivered with flange gasket.



#### Dimensions (mm)

Type	B	C	D	D2	E3	E4
263-463BU..W	112	61	70	98	50	80

## Panel mounted socket inlets

### Straight flange

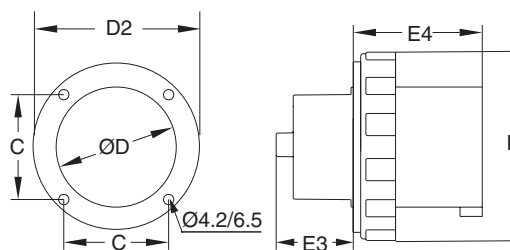


4125BU6W

**125 A, IP67 Watertight**  
Plastic enclosure (PBT). Cable area 16-70 mm<sup>2</sup>.

Terminals/ Poles	Color code	Voltage V	Frequency Hz	Type	Order Code	Pkg qty	Weight
							pkg (1pce) kg
<b>2P+E</b>							
3	Grey		AC	2125BU1W	2CMA167196R1000	1	0.78
	Yellow	100...130	50 and 60	2125BU4W	2CMA167194R1000		
	Blue	200...250		2125BU6W	2CMA167195R1000		
<b>3P+E</b>							
4	Grey		AC	3125BU1W	2CMA167202R1000	1	0.84
	Yellow	100...130	50 and 60	3125BU4W	2CMA167197R1000		
	Black	600...690		3125BU5W	2CMA126719R1000		
	Red	380...415		3125BU6W	2CMA167198R1000		
	Black	480...500		3125BU7W	2CMA167199R1000		
	Blue	200...250		3125BU9W	2CMA167200R1000		
	Red	440...460	60	3125BU11W	2CMA167201R1000		
<b>3P+N+E</b>							
5	Grey		AC	4125BU1W	2CMA167208R1000	1	0.96
	Yellow	100...130	50 and 60	4125BU4W	2CMA167203R1000		
	Red	380...415		4125BU6W	2CMA167204R1000		
	Black	480...500		4125BU7W	2CMA167205R1000		
	Blue	208...250		4125BU9W	2CMA167206R1000		
	Red	440...460	60	4125BU11W	2CMA167207R1000		

- Delivered with flange gasket.



#### Dimensions (mm)

Type	B	C	D	D2	E3	E4
2125-4125BU..W	122	71	81	118	56	89

## Panel mounted socket inlets

Angled flange

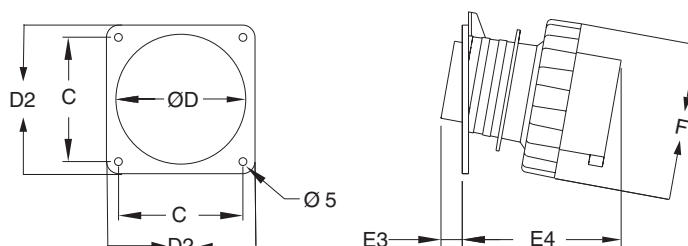


216BAU6W

**16 A, IP67 Watertight**  
Plastic enclosure (PBT). Cable area 1.5-4 mm<sup>2</sup>.

Terminals/ Poles	Color code	Voltage V	Frequency Hz	Type	Order Code	Pkg qty	Weight
							pkg (1pce)
							kg
<b>2P+E</b>							
3	Grey		AC	216BAU1W	2CMA166684R1000	1	0.14
	Grey	>50...250	DC	216BAU3W	2CMA166674R1000		
	Yellow	100...130	50 and 60	216BAU4W	2CMA166676R1000		
	Blue	200...250		216BAU6W	2CMA166678R1000		
	Red	380...415		216BAU9W	2CMA166680R1000		
	Grey	transf		216BAU12W	2CMA166682R1000		
<b>3P+E</b>							
4	Grey		AC	316BAU1W	2CMA166704R1000	1	0.19
	Green	> 50 V~	>300...500	316BAU2W	2CMA166686R1000		
	Red	380/440	50/60	316BAU3W	2CMA166688R1000		
	Yellow	100...130	50 and 60	316BAU4W	2CMA166690R1000		
	Black	600...690		316BAU5W	2CMA166692R1000		
	Red	380...415		316BAU6W	2CMA166694R1000		
	Black	480...500		316BAU7W	2CMA166696R1000		
	Blue	200...250		316BAU9W	2CMA166698R1000		
	Green	> 50 V~	100...300	316BAU10W	2CMA166700R1000		
	Red	440...460	60	316BAU11W	2CMA166702R1000		
	<b>3P+N+E</b>						
5	Grey		AC	416BAU1W	2CMA166720R1000	1	0.21
	Green	> 50 V~	>300...500	416BAU2W	2CMA166706R1000		
	Red	380/440	50/60	416BAU3W	2CMA166708R1000		
	Yellow	100...130	50 and 60	416BAU4W	2CMA166710R1000		
	Red	346...415		416BAU6W	2CMA166712R1000		
	Black	480...500		416BAU7W	2CMA166714R1000		
	Blue	208...250		416BAU9W	2CMA166716R1000		
	Red	440...460	60	416BAU11W	2CMA166718R1000		

- Delivered with flange gasket.



Dimensions (mm)

Type	C	D	D2	E3	E4	F
216BAU..W	79.5	83	95	10	47	71
316BAU..W	79.5	83	95	10	53	79
416BAU..W	79.5	83	95	10	87	87

## Panel mounted socket inlets

Angled flange

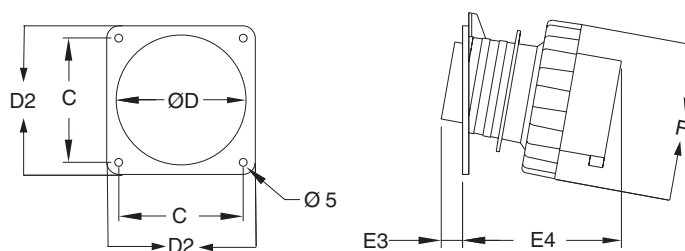


432BAU6W

**32 A, IP67 Watertight**  
Plastic enclosure (PBT). Cable area 2.5-10 mm<sup>2</sup>.

Terminals/ Poles	Color code	Voltage V	Frequency Hz	Type	Order Code	Pkg qty	Weight
							pkg (1pce)
							kg
<b>2P+E</b>							
3	Grey		AC	232BAU1W	2CMA166636R1000	1	0.22
	Yellow	100...130	50 and 60	232BAU4W	2CMA166628R1000		
	Blue	200...250		232BAU6W	2CMA166630R1000		
	Red	380...415		232BAU9W	2CMA166632R1000		
	Grey	transf		232BAU12W	2CMA166634R1000		
<b>3P+E</b>							
4	Grey		AC	332BAU1W	2CMA166656R1000	1	0.84
	Green	> 50 V~	>300...500	332BAU2W	2CMA166638R1000		
	Red	380/440	50/60	332BAU3W	2CMA166640R1000		
	Yellow	100...130	50 and 60	332BAU4W	2CMA166642R1000		
	Black	600...690		332BAU5W	2CMA166644R1000		
	Red	380...415		332BAU6W	2CMA166646R1000		
	Black	480...500		332BAU7W	2CMA166648R1000		
	Blue	200...250		332BAU9W	2CMA166650R1000		
	Green	> 50 V~	100...300	332BAU10W	2CMA166652R1000		
	Red	440...460	60	332BAU11W	2CMA166654R1000		
	<b>3P+N+E</b>						
5	Grey		AC	432BAU1W	2CMA166672R1000	1	0.96
	Green	> 50 V~	>300...500	432BAU2W	2CMA166658R1000		
	Red	380/440	50/60	432BAU3W	2CMA166660R1000		
	Yellow	100...130	50 and 60	432BAU4W	2CMA166662R1000		
	Red	346...415		432BAU6W	2CMA166664R1000		
	Black	480...500		432BAU7W	2CMA166666R1000		
	Blue	208...250		432BAU9W	2CMA166668R1000		
	Red	440...460	60	432BAU11W	2CMA166670R1000		

- Delivered with flange gasket.



Dimensions (mm)

Type	C	D	D2	E3	E4	F
232BAU..W	79.5	83	95	12	60	94
332BAU..W	79.5	83	95	12	60	94
432BAU..W	79.5	83	95	12	67	101

## Industrial plugs and sockets

### Accessories



#### Plug blocker

Lockout/tagout for plugs and inlets. Can be used for any IEC 60309-1 and 60309-2 plug or inlet, both IP44 and IP67 products.

To fit	Order details		Pack qty
	Type code	Order code	pc.
Plugs 16 – 125A Panel mounted inlets 16 – 125 Surface mounted inlets 16 – 125 A	CLF 16 – 125 *	2CMA179237R1000	1

\*Indicates standard product.

#### Protective cover 16 – 125 A, IP44/67

Material in EPDM Rubber



For inlet and plug	Order details		Pack qty
	Type code	Order code	pc.
16 A, 2P+E	GP216 *	2CMA164993R1000	1
16 A, 3P+E	GP316 *	2CMA164994R1000	1
16 A, 3P+N+E	GP416 *	2CMA164995R1000	1
32 A, 2P+E and 3P+E	GP232/332 *	2CMA164996R1000	1
32A, 3P+N+E	GP432 *	2CMA164997R1000	1
63 A, 2P+E, 3P+E and 3P+N+E	GP63 *	2CMA164998R1000	1
125 A, 2P+E, 3P+E and 3P+N+E	GP125 *	2CMA164999R1000	1

\*Indicates standard product.

#### Padlock unit

Padlock unit suitable for all plugs and sockets with handle. Shackle for up to 6 padlocks.



	Order details		Pack qty
	Type code	Order code	pc.
Plugs and sockets with handle	L6	2CMA144539R1000	10

\*Indicates standard product.

#### Blanking plug for 16 – 32 A, IP44

Material in Polyethylene

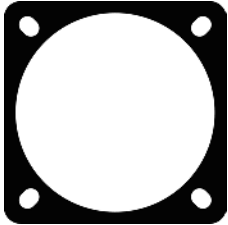
Metric M20 and M25



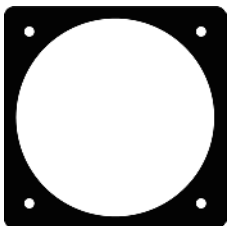
For wall mounted sockets	Order details		Pack qty
	Type code	Order code	pc.
For 16A RS and BS	Blanking plug M20X1,5 grey	2CMA197686R1000	1
For 32A RS and BS For 16-32A MHS, MM and CUE	Blanking plug M25X1,5 grey	2CMA197687R1000	1

## Industrial plugs and sockets

### Spare parts



Gasket BR3416



Gasket RAU1632

#### Gasket 16 – 125 A, IP44

Material in Chloroprene and Polyethylene  
Adhesive

Suitable for Type, Amp, terminals	Order details		Pack qty
	Type code	Order code	pc.
RAM 16 A, 2P+E	Gasket RM216*	2CMA170049R1000	1
RAM 16 A, 2P+E and 3P+E	Gasket RM3416*	2CMA170050R1000	1
RAM 32 A, 2P+E, 3P+E, 3P+N+E	Gasket RM32*	2CMA170051R1000	1
RAM 63 A, 2P+E, 3P+E, 3P+N+E	Gasket 63A*	2CMA178036R1000	1
RAM 125 A, 2P+E, 3P+E, 3P+N+E, for flange	Gasket RMF 125A*	2CMA178203R1000	1
RAM 125 A, 2P+E, 3P+E, 3P+N+E, for socket	Gasket RMS 125A*	2CMA178207R1000	1
R/B 16 A, 2P+E	Gasket BR216	2CMA193458R1000	1
R/B 16 A, 3P+E, 3P+N+E	Gasket BR3416	2CMA193459R1000	1
RU/BU 16-32 A, 2P+E, 3P+E, 3P+N+E	Gasket BRU1632	2CMA193460R1000	1
RAU 16 A, 2P+E	Gasket RA216	2CMA193461R1000	1
RAU 16-32 A, 2P+E, 3P+E, 3P+N+E	Gasket RAU1632	2CMA193463R1000	1

\* Indicates made of Chloroprene



# Modular Combi Plastic

The enclosure is in plastic. Modul Combi Plastic is designed for different types of single phase domestic outlets and for IEC outlets up to and including 63 A.

Operating voltage 230/400 V ~

Enclosure: Plastic (PBT Thermoplastic)

Dimensions: According to table

Outlets: Combi Plastic is designed for different types of single phase domestic outlets and for IEC outlets up to and including 63 A.

With or without mechanical interlocked IEC outlets.

Cable entry: 4 knock-outs at the top, suitable for 2xØ 40 mm and 2xØ 25 mm

At the bottom 3xØ 47 mm

Cable area: 2x16 mm<sup>2</sup> Cu. Designed for looping

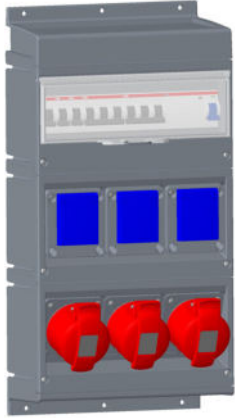
Covers: For MCB/RCD, maximum 13 modules, 2 opened and knock-outs for the rest of the modules row. DIN-rail in bottom for terminals and MCB/RCDs.

With a distance at the bottom to allow wiring behind the rail. The lid is pad lockable.



## Modular Combi

### Plastic 16 A



MPR16/3

#### IP44, Splashproof

MCB	RCD	Switch	Schuko outlet		Type	Order Code	Size			Weight pkg (1pce) kg
			10/16 A	IEC			W	H	D	
1xS203 M C16	25 A/0.03	-	2 single	1x416	MPR16	2CMA168997R1000	250	300	160	3.1
3xS201 C16 2xS203 M C16	40 A/0.03	-	3 single	3x416	MPR16/3	2CMA168995R1000	250	430	160	3.4
1xS203 M C16	25 A/0.03	-	2 single	1x416	MPR16B *	2CMA101631R1000	250	300	160	3.1
1xS203 M C16	25 A/0.03	-	2 single	1x416	MPR16 BS Grey **	2CMA101651R1000	250	300	160	3.1
1xS203 M C16	25 A/0.03	-	2 single	1x416	MPR16B BS Black **	2CMA101655R1000	250	300	160	3.1

\* Black enclosure

\*\* Domesti outlet with British standard

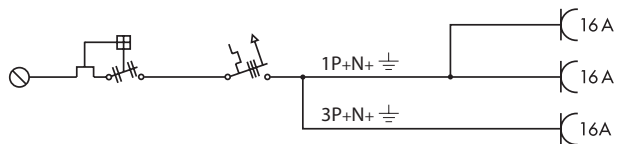
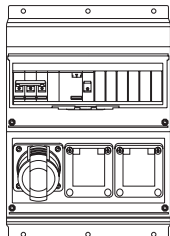
# Modular Combi

## Plastic 16 A

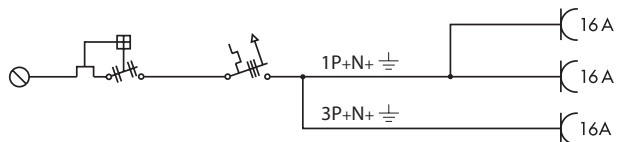
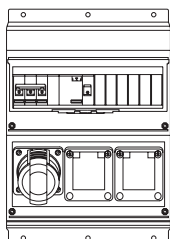
Front view

Wiring diagram

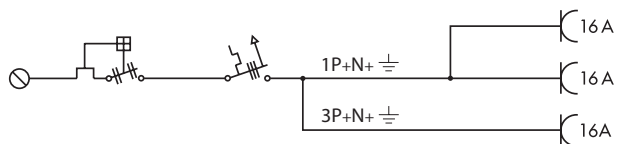
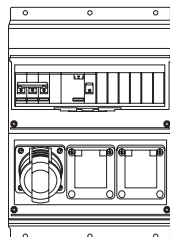
MPR16



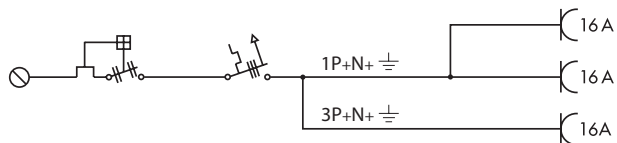
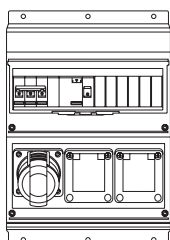
MPR16B



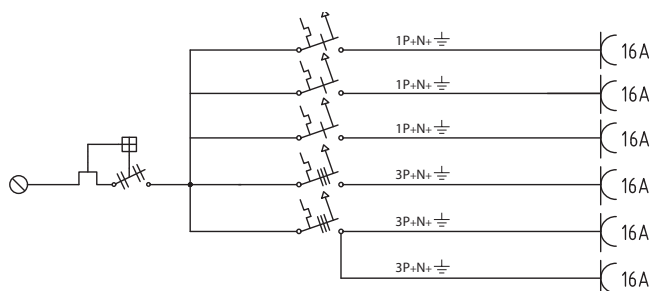
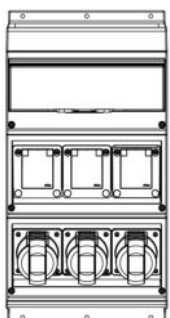
MPR16 BS Grey



MPR16B BS Black

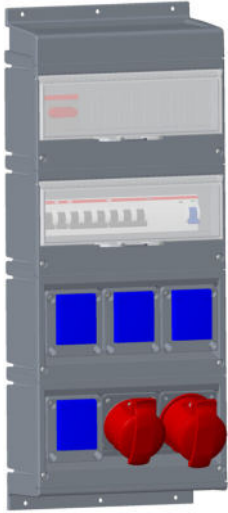


MPR16/3



# Modular Combi

## Plastic 32 A



IP44, Splashproof

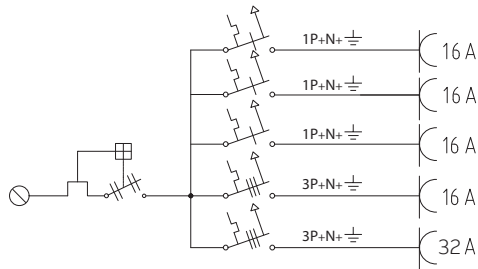
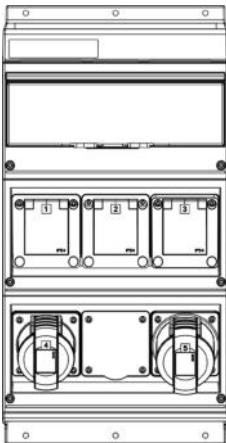
MCB	RCD	Switch	Schuko outlet 10/16 A	Outlet IEC	Type	Order Code	Size			Weight pkg (1pce) kg
							W	H	D	
3xS201 C16 1xMCB S203-C16 1xMCB S203-C32	63 A/0.03	-	3 single	1x416 1x432	MPR32/1	2CMA106211R1000	250	430	160	4.3
2xMCB S201-C16 1xMCB S203-C16 1xMCB S203-C32	63 A/0.03	OT80F3/B	4 single	1x416 1x432	MPR32/1MS	2CMA168984R1000	250	560	160	4.8

MPR32/1MS

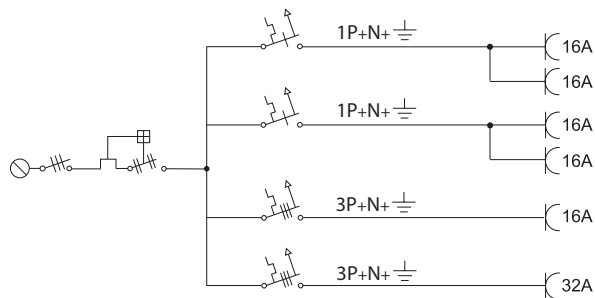
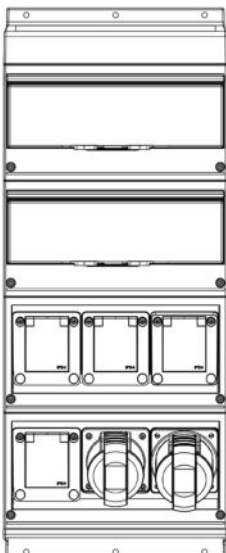
Front view

Wiring diagram

MPR32/1

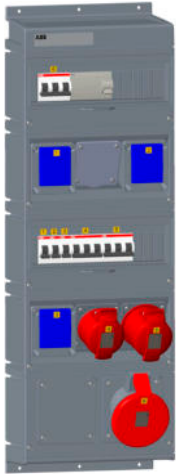


MPR32/1MS



# Modular Combi

## Plastic

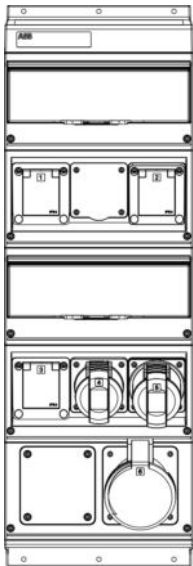


MPR63PRO

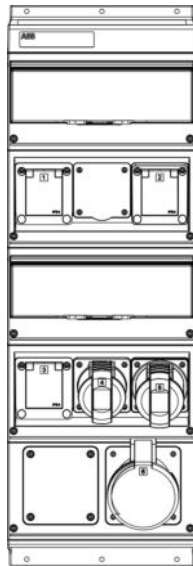
**IP44, Splashproof**  
Housing in plastic (PBT)

MCB	RCD	Switch	Schuko outlet	Outlet	Type	Order Code	Size			Weight pkg (1pce)
			10/16 A	IEC			W	H	D	
3xS201-C16 1xS203-C16 1xS203-C32 1xS203-C63	40 A/0.03		3 single	1x416 1x432 1x463	MPR63PRO	2CMA101808R1000	250	750	165	4.0
3xS201-C16 1xS203-C16 1xS203-C32 1xS203-C63	63 A/0.03		3 single	1x416 1x432 1x463	MPR63/ 1PRO	2CMA101809R1000	250	750	165	5.4
3xS201-C16 1xS203-C16 1xS203-C32 1xS203-C63	63 A/0.03	OT80F3	3 single	1x416 1x432 1x463	MPR63/ 1MSPRO	2CMA101810R1000	250	750	165	5.7

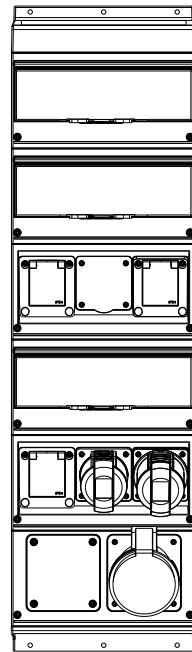
Front view



MPR63PRO

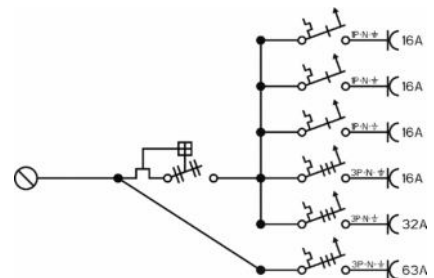


MPR63/1PRO

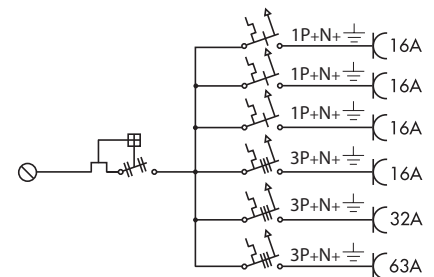


MPR63/1MSPRO

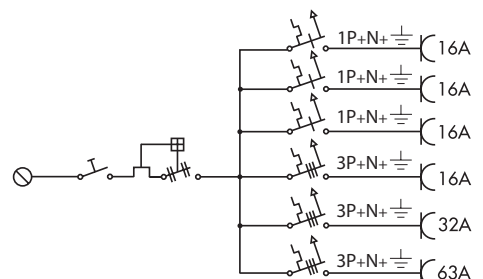
Wiring diagrams



MPR63PRO



MPR63/1PRO



MPR63/1MSPRO

# Modular Combi Metal

The enclosure is in aluminium with front plates of galvanised steel. Modul Combi Metal is designed for different types of single phase domestic outlets and for IEC outlets up to and including 63 A.

Operating voltage 230/400 V~

Enclosure: Aluminium with front plates of galvanised steel.

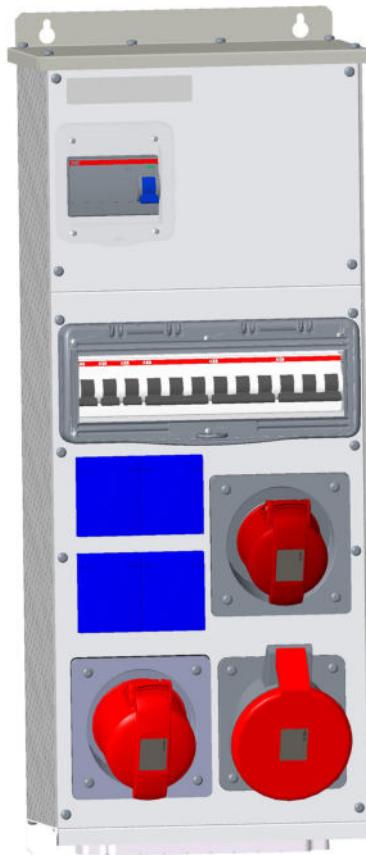
Dimensions: According to table or customer order

Outlets: Combi Metal is designed for different types of single phase domestic outlets and for IEC outlets up to and including 63 A.  
With or without mechanical interlocked IEC outlets.

Cable entry: FL21 flange openings at top and bottom

Cable area: 2x16 mm<sup>2</sup> Cu. Designed for looping

Covers: For MCB/RCD, maximum 12 modules. DIN-rail in bottom for terminals and MCB/RCDs.  
With a distance at the bottom to allow wiring behind the rail. The lid is pad lockable.



## Modular Combi

### Metal



M63/2 JFB CTFL

#### IP44, Splashproof

Housing in Aluminium with front plates of galvanised steel

Cable entry Alt 1: FL21 flange openings at top and bottom

Cable entry Alt 2: Covered top and rubber multi gland down (CTFL)

MCB	RCD	Switch	Schuko outlet		Type	Order Code	Size			Weight pkg (1pce) kg
			10/16 A	IEC			W	H	D	
2xS201-C10 1xS203-C16	25 A/0.03		2 single	1x416	M16/2 JFB	2CMA179349R1000	250	314	172	4.55
2xS201-C10 1xS203-C16	25 A/0.03		2 single	1x416	M16/2 JFB CTFL	2CMA100020R1000	250	314	172	4.55
4xS201-C10 1xS203-C16 1xS203-C32	63 A/0.03		4 single	1x416 1x432	M32/2 JFB	2CMA179351R1000	250	574	179	7.35
4xS201-C10 1xS203-C16 1xS203-C32	63 A/0.03		4 single	1x416 1x432	M32/2 JFB CTFL	2CMA100022R1000	250	574	179	7.35
3xS201-C10 1xS203-C16 1xS203-C32 1xS203-C63	63 A/0.03		4 single	1x416 1x432 1x463	M63/2 JFB CTFL	2CMA100024R1000	250	704	188	9.55
3xS201-C10 1xS203-C16 1xS203-C32 1xS203-C63	63 A/0.03		4 single	1x416 1x432 1x463	M63/2 JFB	2CMA179353R1000	250	704	188	9.55

CTFL = Covered top and FL21 with multiflange down

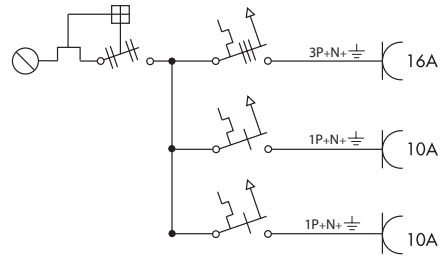
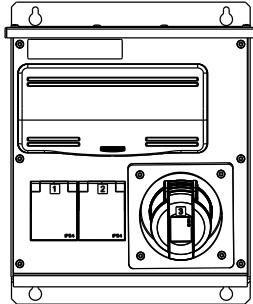
# Modular Combi

## Metal

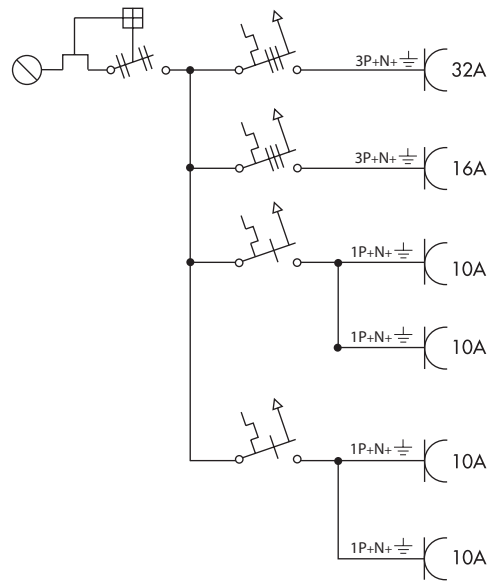
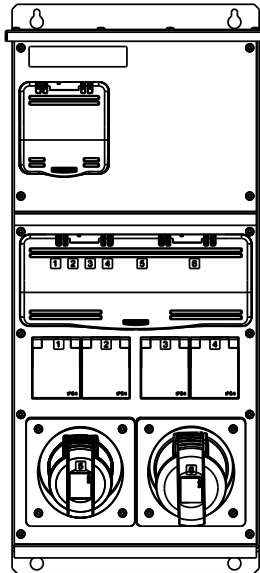
Front view

Wiring diagram

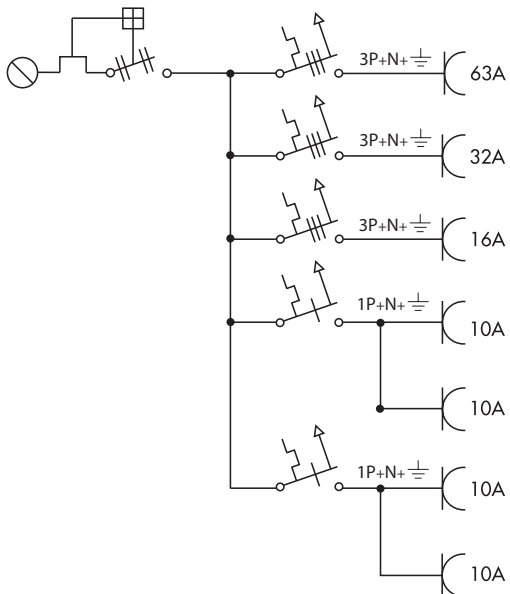
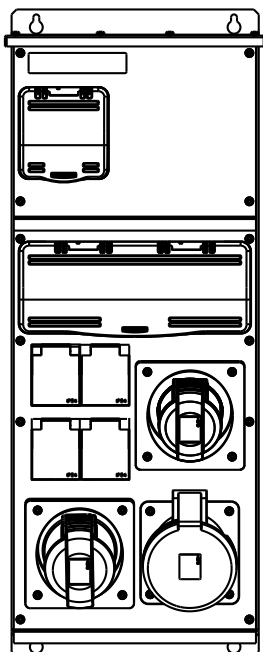
M16/2JFB  
M16/2 JFB CTF



M32/2JFB  
M32/2 JFB CTF



M63/2JFB  
M63/2 JFB CTF





# Modular Combi Parts

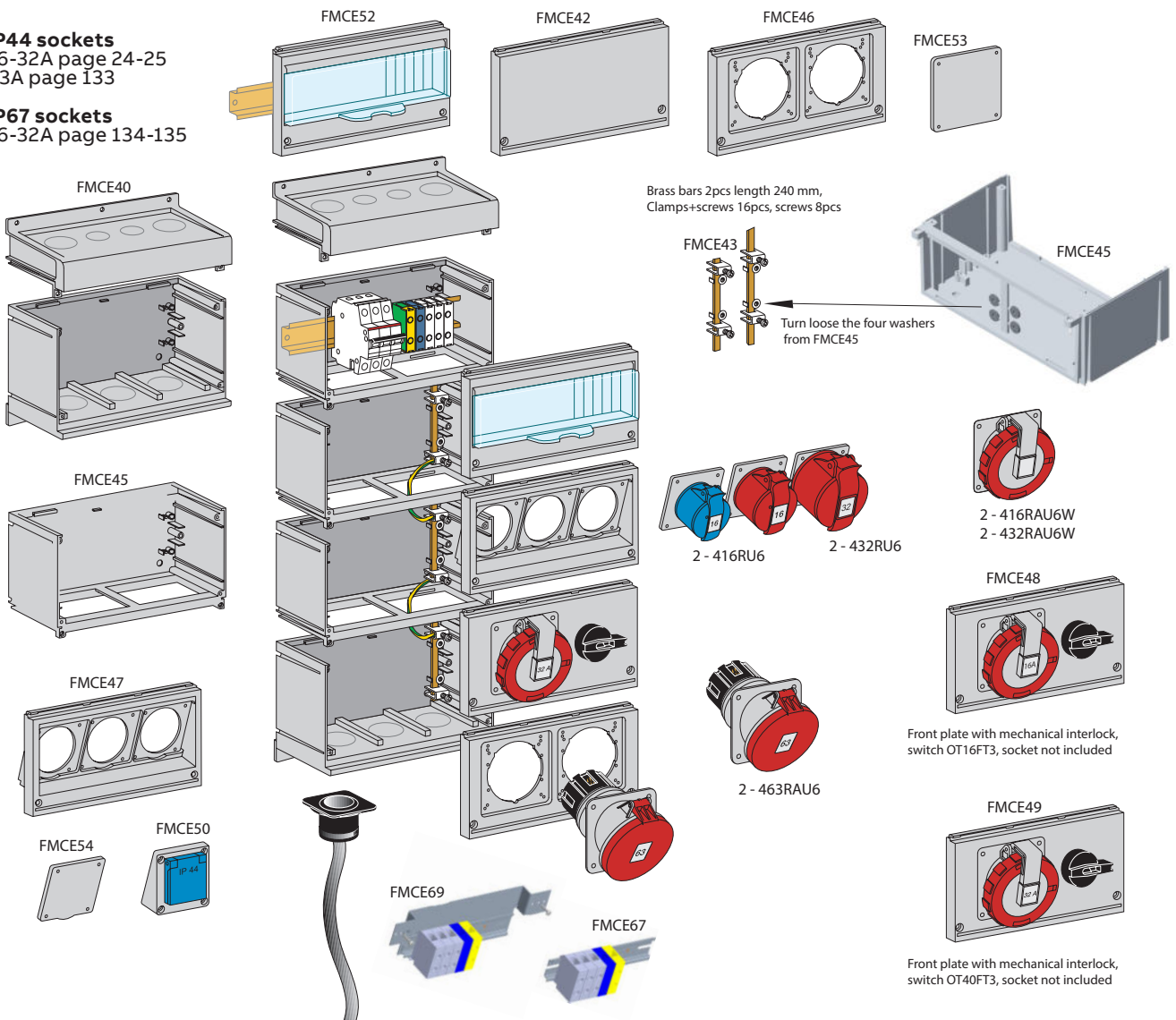
Here you can design your installation solution in IP44

Modular combi parts are Easy to assemble and install. It is a flexible and time efficient choice for special applications. Modular combi parts can be assembled to a height of 2 meters and there is a possibility to build on the width by looping if required. Din rail are suitable for 13 modules with a lot of space for your socket outlets protection. There are a large number of socket outlets to

choose from our Easy & Safe and Tough & Safe Range depending on which IP degree and material that is required. There is also a possibility to have switched interlocked socket outlet to maximize personal safety. Assembled enclosure is tested and fulfills IP44 protection degree and can handle Socket outlets up to 63A. Enclosure parts in plastic PBT.

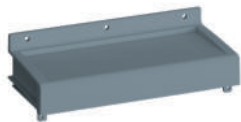
**IP44 sockets**  
16-32A page 24-25  
63A page 133

**IP67 sockets**  
16-32A page 134-135



## Modular Combi parts

Top, bottom and middle section. Front and cover plates, cable flange and N/E terminal



Top section FMCE40



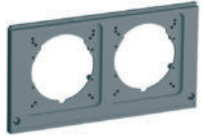
Bottom section FMCE40



FMCE45



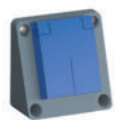
FMCE47



FMCE46



FMCE52



FMCE50



FMCE41



FMCE54



FMCE53



FMCE42



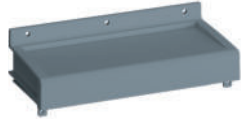
FMCE43

### Parts in plastic (PBT)

Description	Type	Order Code	Pkg qty	Weight pkg (1pce) kg
<b>Top and bottom section</b>				
Top (2x40 mm and 2x25 mm) and bottom (3x47 mm) section incl. screws. Suitable for MP..., MPR...	FMCE40	2CMA191077R1000	1 pce	0.2kg
<b>Middle section</b>				
Middle section incl. screws. Suitable for MP..., MPR...	FMCE45	2CMA191082R1000	1 pce	0.25kg
<b>Front plate for 16-32 A outlet</b>				
Front plate suitable for three 16-32 A outlets incl. screws. Suitable for RU and FMCE50	FMCE47	2CMA191084R1000	1 pce	0.5kg
<b>Front plate for 63 A outlet</b>				
Front plate suitable for two 63 A outlets incl. screws	FMCE46	2CMA191083R1000	1 pce	0.5kg
<b>Front plate with mechanical interlock</b>				
Front plate with mechanical interlock, switch OT16FT3, socket not included	FMCE48	2CMA191085R1000	1 pce	0.5kg
<b>Front plate with mechanical interlock</b>				
Front plate with mechanical interlock, switch OT40FT3, socket not included	FMCE49	2CMA191086R1000	1 pce	0.5kg
<b>Front plate with lid and DIN rail</b>				
Front with lid and DIN rail L=241 mm	FMCE52	2CMA191089R1000	1 pce	0.1kg
<b>Front plate with schuko</b>				
Front plate with schuko outlet 10/16 A, incl. screws. Suitable for FMCE47	FMCE50	2CMA191087R1000	1 pce	0.2kg
<b>Cover plate for 16-32 A</b>				
Cover plate suitable for 16-32 A incl. screws	FMCE54	2CMA191091R1000	1 pce	0.1kg
<b>Cover plate for 63 A</b>				
Cover plate suitable for 63 A incl. screws	FMCE53	2CMA191090R1000	1 pce	0.1kg
<b>Cover plate</b>				
Cover plate incl. screws	FMCE42	2CMA191079R1000	1 pce	0.5kg
<b>Cable flange</b>				
Hose clamp, cable tightening, flange incl. screws	FMCE41	2CMA170188R1000	1 pce	0.25kg
<b>N/E terminal</b>				
N/E terminal 16 mm <sup>2</sup> , brass bar = 240 mm	FMCE43	2CMA191080R1000	1 pce	0.19kg
<b>DIN-Rail</b>				
DIN-Rail L=241 mm + screws + 5x35 mm <sup>2</sup> terminal block	FMCE67	2CMA191103R1000	1 pce	0.3kg
<b>Flange</b>				
Flange for domestic socket, incl. screws	FMCE70	2CMA105989R1000	1 pce	0.2kg
<b>DIN-Rail</b>				
DIN-Rail L=241 mm, incl. screws	FMCE71	2CMA105990R1000	1 pce	0.1kg
<b>DIN-Rail</b>				
Lowered DIN-Rail, incl. screws	FMCE72	2CMA105991R1000	1 pce	0.3kg

## Multi-pack Modular Combi

Top, bottom and middle section. Front and cover plates, cable flange and N/E terminal



Top section FMCE400



Bottom section FMCE400



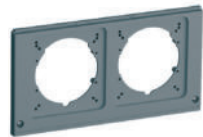
FMCE420



FMCE430



FMCE450



FMCE460



FMCE470



FMCE500



FMCE54

FMCE53

### Parts in plastic (PBT)

Description	Type	Order Code	Pkg qty
<b>Top section knock outs</b>			
<b>Bottom section knock outs</b>			
(2x Ø 40,5 mm and 2x Ø 25,5 mm) (2x Ø 40,5 mm and 1x Ø 47,5 mm) screws incl. and instruction	FMCE400	2CMA106004R1000	5
<b>Hose clamp</b>			
cable tightening, flange, C-nuts, screws incl.	FMCE410	2CMA106005R1000	10
<b>Cover plate</b>			
screws incl.	FMCE420	2CMA106006R1000	10
<b>N/E terminals 16 mm<sup>2</sup></b>			
Brass bars 2pcs length 240 mm, Clamps 16pcs, screws 8pcs	FMCE430	2CMA106007R1000	10
<b>Middle section</b>			
screws incl.	FMCE450	2CMA106008R1000	10
<b>Front plate</b>			
suitable for two 63 A outlets screws incl.	FMCE460	2CMA106009R1000	10
<b>Front plate</b>			
suitable for three 16-32 A outlets screws incl.	FMCE470	2CMA106010R1000	10
<b>Flange</b>			
with Schuko outlet 10/16 A, screws incl.	FMCE500	2CMA106011R1000	10
<b>Front</b>			
with lid (13 DIN modules wide), DIN-rail, screws incl.	FMCE520	2CMA106012R1000	10
<b>Cover flange 63</b>			
screws incl.	FMCE530	2CMA106013R1000	10
<b>Cover flange 16/32</b>			
screws incl.	FMCE540	2CMA106014R1000	10
<b>Flanges for Domestic socket</b>			
screws incl.	FMCE700	2CMA106016R1000	10
<b>DIN Rail 241 mm</b>			
screws incl.	FMCE710	2CMA106017R1000	10
<b>Lowered DIN-rail</b>			
screws incl.	FMCE720	2CMA106015R1000	10
Screw STS T40*16 FZB Screw TS KN1039 Screw RTK 3,5X13 Screw STS T40x20, PT 30* DELG L=20 MM	FMCE730	2CMA106018R1000	4x100 pcs

## Black Modular Combi

Top, bottom and middle section. Front and cover plates, cable flange and N/E terminal



Top section FMCE40B



Bottom section FMCE40B



FMCE42B



FMCE45B



FMCE47B



FMCE54B

Parts in plastic (PBT)

Description	Type	Order Code	Pkg qty
<b>Top section knock outs</b>			
<b>Bottom section knock outs</b>			
(2x Ø 40,5 mm and 2x Ø 25,5 mm) (2x Ø 40,5 mm and 1x Ø 47,5 mm) screws incl. and instruction	FMCE40B	2CMA105995R1000	Qty 1
<b>Cover plate</b>			
screws incl.	FMCE42B	2CMA105996R1000	Qty 1
<b>Middle section</b>			
screws incl.	FMCE45B	2CMA105997R1000	Qty 1
<b>Front plate</b>			
suitable for three 16-32 A outlets screws incl.	FMCE47B	2CMA105998R1000	Qty 1
<b>Flange with Schuko outlet 10/16 A</b>			
screws incl.	FMCE50B	2CMA105999R1000	Qty 1
<b>Front with lid (13 DIN modules wide)</b>			
DIN-rail, screws incl.	FMCE52B	2CMA106001R1000	Qty 1
<b>Cover flange 16/32</b>			
screws incl.	FMCE54B	2CMA106002R1000	Qty 1
<b>Flanges for Domestic socket</b>			
screws incl.	FMCE70B	2CMA106000R1000	Qty 1



# Industrial plugs and sockets

## Extra low voltage

### Plugs



Type PLV...  
16 A...32 A, IP44



Type PLV...W  
16 A...32 A, IP67

### Connectors



Type CLV...  
16 A...32 A, IP44



Type CLV...W  
16 A...32 A, IP67

### Socket outlet



For panel mounting with straight  
flange, Type RLV...  
16 A...32 A, IP44



For surface mounting, Type BSLV...  
16 A...32 A, IP44

### Inlets



For surface mounting, Type RSLV...  
16 A...32 A, IP44



# Industrial plugs and sockets

## Extra low voltage

Our extra low voltage range offers Industrial plugs & sockets for protection in areas with a high risk like swimming pools, wandering-lead hand lamps, and other portable appliances for outdoor use. Therefore our range includes products of IP44 and IP67.

Our range of Industrial plugs and sockets for extra low voltage covers voltages up to 50V AC or DC and fulfills IEC 60309.

Extra low voltage is one way to protect from electrical shock. Extra-low voltage is used where the risks are high: swimming pools, wandering-lead hand lamps, and other portable appliances for outdoor use, etc.

The plugs and sockets are intended for an operating voltage not exceeding 50 V. Their rated voltage is 24 V and 50 V for 16 A and 32 A.

### Standards

The products are designed according to the following standards: IEC 60 309-1, 60 309-2.

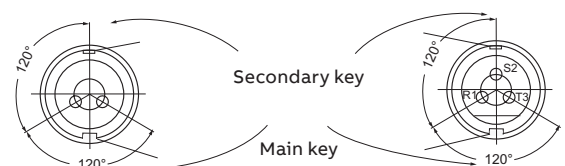
### Connections

Screw type terminals.

### Non-interchangeability

To achieve non-interchangeability, the plugs and sockets have a main key and a secondary key. The position of the secondary key is indicated by a number followed by a letter h (the hour position or o'clock position). The number is determined by the position of the secondary key relative to the main key, the position of which is defined as 6 o'clock. Non hour position is given for 20-25 V, 50-60 Hz, since there is no secondary key on these plugs and sockets.

The width of the key is different for 16 A and 32 A plugs and sockets. In addition, there is a color coding system: the cover or front part is violet on 20-25 V and white on 40-50 V plugs and sockets. Plugs and sockets for direct current are grey.



Positions and connections of the contact

Table according to IEC 60309-2  
Plugs and sockets for max. 50 V.

Terminals/ Poles	Color code	Voltage		Frequency		Position of secondary key <sup>1)</sup>	
		V	Hz	Hz			
2	Violet	20-25	50-60	50-60		(none)	
	White	40-50	50-60	50-60		12 h	
	Green	20-25 and 40-50	100-200	300	100-200	300	4 h
			300	400	300	400	2 h
			>400-500	400	>400-500	400	3 h
Grey		DC			10 h		
3	Violet	20-25	50-60	50-60		(none)	
	White	40-50	50-60	50-60		12 h	
	Green	20-25 and 40-50	100-200	300	100-200	300	4 h
			300	400	300	400	2 h
			>400-500	400	>400-500	400	3 h
		>400-500		>400-500		11 h	

1) The position of main key is defined as 6h (6 o'clock)

## Plugs

For extra low voltage



PLV216

### 16 A. IP44. Splashproof

Housing in plastic (PA). Cable entry with compression gland.

Terminals/ Poles	Color code	Voltage	Frequency	Type	Order Code	Pkg qty	Weight
		V	Hz				pkg (1pce) kg
2	■ Violet	20...25 AC	50 and 60	PLV216	2CMA100877R1000	10	0.142
	■ Grey	25 and 50 DC	-	PLV216-10	2CMA100879R1000		
	□ White	40...50 AC	50 and 60	PLV216-12	2CMA100878R1000		
3	■ Violet	20...25 AC	50 and 60	PLV316	2CMA100888R1000	10	0.160
	■ Green	25 and 50 DC	100...200	PLV316-4	2CMA100882R1000		
	□ White	40...50 AC	50 and 60	PLV316-12	2CMA100881R1000		

### 32 A. IP44. Splashproof

Housing in plastic (PA). Cable entry with compression gland.

2	■ Violet	20...25 AC	50 and 60	PLV232	2CMA100883R1000	10	0.142
	■ Grey	25 and 50 DC	-	PLV232-10	2CMA100885R1000		
	□ White	40...50 AC	50 and 60	PLV232-12	2CMA100884R1000		
3	■ Violet	20...25 AC	50 and 60	PLV332	2CMA100886R1000	10	0.160
	■ Green	25 and 50 DC	100...200	PLV332-4	2CMA100888R1000		
	□ White	40...50 AC	50 and 60	PLV332-12	2CMA100887R1000		



PLV216W

### 16 A. IP67. Watertight

Housing in plastic (PA). Cable entry with compression gland.

Terminals/ Poles	Color code	Voltage	Frequency	Type	Order Code	Pkg qty	Weight
		V	Hz				pkg (1pce) kg
2	■ Violet	20...25 AC	50 and 60	PLV216W	2CMA100889R1000	10	0.164
	■ Grey	25 and 50 DC	-	PLV216-10W	2CMA100891R1000		
	□ White	40...50 AC	50 and 60	PLV216-12W	2CMA100890R1000		
3	■ Violet	20...25 AC	50 and 60	PLV316W	2CMA100892R1000	10	0.182
	■ Green	25 and 50 DC	100...200	PLV316-4W	2CMA100894R1000		
	□ White	40...50 AC	50 and 60	PLV316-12W	2CMA100893R1000		

### 32 A. IP67. Watertight

Housing in plastic (PA). Cable entry with compression gland.

2	■ Violet	20...25 AC	50 and 60	PLV232W	2CMA100895R1000	10	0.164
	■ Grey	25 and 50 DC	-	PLV232-10W	2CMA100897R1000		
	□ White	40...50 AC	50 and 60	PLV232-12W	2CMA100896R1000		
3	■ Violet	20...25 AC	50 and 60	PLV332W	2CMA100898R1000	10	0.182
	■ Green	25 and 50 DC	100...200	PLV332-4W	2CMA100900R1000		
	□ White	40...50 AC	50 and 60	PLV332-12W	2CMA100899R1000		

## Connectors

For extra low voltage



CLV216

### 16 A. IP44. Splashproof

Housing in plastic (PA). Cable entry with compression gland.

Terminals/ Poles	Color code	Voltage	Frequency	Type	Order Code	Pkg qty	Weight
		V	Hz				pkg (1pce) kg
2	■ Violet	20...25 AC	50 and 60	CLV216	2CMA100901R1000	10	0.177
	■ Grey	25 and 50 DC	-	CLV216-10	2CMA100903R1000		
	□ White	40...50 AC	50 and 60	CLV216-12	2CMA100902R1000		
3	■ Violet	20...25 AC	50 and 60	CLV316	2CMA100904R1000	10	0.198
	■ Green	25 and 50 DC	100...200	CLV316-4	2CMA100906R1000		
	□ White	40...50 AC	50 and 60	CLV316-12	2CMA100905R1000		

### 32 A. IP44. Splashproof

Housing in plastic (PA). Cable entry with compression gland.

2	■ Violet	20...25 AC	50 and 60	CLV232	2CMA100907R1000	10	0.178
	■ Grey	25 and 50 DC	-	CLV232-10	2CMA100909R1000		
	□ White	40...50 AC	50 and 60	CLV232-12	2CMA100908R1000		
3	■ Violet	20...25 AC	50 and 60	CLV332	2CMA100910R1000	10	0.198
	■ Green	25 and 50 DC	100...200	CLV332-4	2CMA100912R1000		
	□ White	40...50 AC	50 and 60	CLV332-12	2CMA100911R1000		



CLV216W

### 16 A. IP67. Watertight

Housing in plastic (PA). Cable entry with compression gland.

Terminals/ Poles	Color code	Voltage	Frequency	Type	Order Code	Pkg qty	Weight
		V	Hz				pkg (1pce) kg
2	■ Violet	20...25 AC	50 and 60	CLV216W	2CMA100913R1000	10	0.199
	■ Grey	25 and 50 DC	-	CLV216-10W	2CMA100915R1000		
	□ White	40...50 AC	50 and 60	CLV216-12W	2CMA100914R1000		
3	■ Violet	20...25 AC	50 and 60	CLV316W	2CMA100916R1000	10	0.219
	■ Green	25 and 50 DC	100...200	CLV316-4W	2CMA100918R1000		
	□ White	40...50 AC	50 and 60	CLV316-12W	2CMA100917R1000		

### 32 A. IP67. Watertight

Housing in plastic (PA). Cable entry with compression gland.

2	■ Violet	20...25 AC	50 and 60	CLV232W	2CMA100919R1000	10	0.199
	■ Grey	25 and 50 DC	-	CLV232-10W	2CMA100921R1000		
	□ White	40...50 AC	50 and 60	CLV232-12W	2CMA100920R1000		
3	■ Violet	20...25 AC	50 and 60	CLV332W	2CMA100922R1000	10	0.219
	■ Green	25 and 50 DC	100...200	CLV332-4W	2CMA100924R1000		
	□ White	40...50 AC	50 and 60	CLV332-12W	2CMA100923R1000		



## Socket outlets

For extra low voltage



RLV216

**For panel mounting with straight flange. 16 A. IP44. Splashproof**  
Housing in plastic (PA).

Terminals/ Poles	Color code	Voltage	Frequency	Type	Order Code	Pkg qty	Weight
		V	Hz				pkg (1pce) kg
2	■ Violet	20...25 AC	50 and 60	RLV216	2CMA100973R1000	10	0.099
	■ Grey	25 and 50 DC	-	RLV216-10	2CMA100975R1000		
	□ White	40...50 AC	50 and 60	RLV216-12	2CMA100974R1000		
3	■ Violet	20...25 AC	50 and 60	RLV316	2CMA100976R1000	10	0.114
	■ Green	25 and 50 DC	100...200	RLV316-4	2CMA100978R1000		
	□ White	40...50 AC	50 and 60	RLV316-12	2CMA100977R1000		

**For panel mounting with straight flange. 32 A. IP44. Splashproof**  
Housing in plastic (PA).

2	■ Violet	20...25 AC	50 and 60	RLV232	2CMA100979R1000	10	0.099
	■ Grey	25 and 50 DC	-	RLV232-10	2CMA100981R1000		
	□ White	40...50 AC	50 and 60	RLV232-12	2CMA100980R1000		
3	■ Violet	20...25 AC	50 and 60	RLV332	2CMA100982R1000	10	0.114
	■ Green	25 and 50 DC	100...200	RLV332-4	2CMA100984R1000		
	□ White	40...50 AC	50 and 60	RLV332-12	2CMA100983R1000		



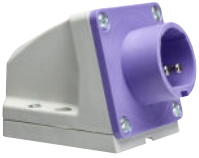
RSLV216

**For surface mounting 16 A. IP44. Splashproof**  
Housing in plastic (PA). Treaded cable entry M25

Terminals/ Poles	Color code	Voltage	Frequency	Type	Order Code	Pkg qty	Weight
		V	Hz				pkg (1pce) kg
2	■ Violet	20...25 AC	50 and 60	RSLV216	2CMA100985R1000	10	0.198
	■ Grey	25 and 50 DC	-	RSLV216-10	2CMA100987R1000		
	□ White	40...50 AC	50 and 60	RSLV216-12	2CMA100986R1000		
3	■ Violet	20...25 AC	50 and 60	RSLV316	2CMA100988R1000	10	0.215
	■ Green	25 and 50 DC	100...200	RSLV316-4	2CMA100990R1000		
	□ White	40...50 AC	50 and 60	RSLV316-12	2CMA100989R1000		

## Inlets

For extra low voltage



BSLV216

**For surface mounting. 16 A. IP44. Splashproof**  
Housing in plastic (PA). Threaded cable entry M25.

Terminals/ Poles	Color code	Voltage	Frequency	Type	Order Code	Pkg qty	Weight
		V	Hz				pkg (1pce) kg
2	■ Violet	20...25 AC	50 and 60	BSLV216	2CMA100991R1000	10	0.165
	■ Grey	25 and 50 DC	-	BSLV216-10	2CMA100993R1000		
	□ White	40...50 AC	50 and 60	BSLV216-12	2CMA100992R1000		
3	■ Violet	20...25 AC	50 and 60	BSLV316	2CMA100994R1000	10	0.180
	■ Green	25 and 50 DC	100...200	BSLV316-4	2CMA100996R1000		
	□ White	40...50 AC	50 and 60	BSLV316-12	2CMA100995R1000		

# Industrial plugs and sockets

## High current connectors

The right solution for every application.

The connector product portfolio covers almost all application in the defined high current range.



### C-Line - 200 A/250 A

The compact C-Line connectors have a robust plastic housing and are perfect for applications with limited space conditions as well as for certain industries (chemistry, food industry). Additional options allow use in a variety of applications.



### B-Line - 250 A/400 A

The robust B-Line connectors are ideal for applications (tunneling, mining), where high mechanical loads may arise. Furthermore, numerous options, such as the saltwater resistant housing, make the connectors also suitable for marine applications.



### Connector units 200 A...400 A

To ensure maximum safety for users, we can offer special connector units:

CUMI (connector unit with mechanical interlock)

CUBC (connector unit with block contactor)

CUCB (connector unit with circuit breaker)

# High current connectors

In applications where high current connectors are used, safety, quality and reliability are the top priorities for customers.

## Connectors for challenging applications

In order to fulfill this task, all these properties were bundled into one product range. Thus, all customers receive a product with the highest degree of performance.

Whether in tunnel construction, where extremely mechanical strength is required or railway applications where vibration-proof is of highest importance, the high current connectors are always the right choice.

## Robust housing

The connectors are designed for ambient temperatures from -40 °C to +100 °C. This ensures full functionality at low and very high temperatures. This leads to significantly fewer plant failures (reduced risk of overheating) and reduced fire risk. Another important aspect for various industries, such as tunnel construction, construction sites, mines is the high robustness of the connectors. These can withstand loads of up to 2 tonnes.

## IK Code

The IK code is a coding system according to IEC/EN 50102 or IEC/EN 62262, which indicates the degree of protection by a housing against harmful external stresses. Each characteristic number of the IK code represents a stress relief value.

IK code	01	02	03	04	05	06	07	08	09	10
Stress energy joule	0,14	0.2	0.35	0.5	0.7	1	2	4	10	20

The connectors of the C-Line and B-Line are IK 10 classified.

## Finger touch protection

Each socket is equipped with a finger touch protection in order to safeguard the user against electrical shocks in the event of unintentional contact with live parts.

## IP67/IP55

The connectors are IP67. They are dust-proof and suitable for temporary immersions under water. The connector units are IP55, which means protected against dust and splashing water.

- Always reliable in adverse environmental conditions
- Suitable for high humidity applications
- Low maintenance (no dust/moisture penetration)
- High security ensured at all times

## Voltage coding

Arrangement of the PE contact pin and bushing to prevent wrong plugging of various voltages and frequencies after the time setting in accordance with table 104 from EN 60309-2. The standard earthing contact specifies the time setting.

## Applications

Connectors for every task

- Tunnel construction
- Marine
- Railway
- Military
- Industry
- Construction site
- Event technology
- Mining
- Chemistry

## Characteristics

- 200 A...400 A
- Robust housing
- 4- and 5-poles
- High reliability
- Compact design
- IP 67
- Finger touch protection
- Designed for high temperatures
- Vibration resistant

## Special applications - on request

- Vibration resistant screws
- Seawater resistant housing
- Harnessed connectors

## Customized solutions

If standard solutions do not meet all the requirements of an application, customer-specific solutions are made upon request.

## C-Line

The compact C-Line connectors have a robust plastic housing and are perfect for applications with limited space conditions as well as for certain industries (chemistry, food industry). Additional options allow use in a variety of applications.

Technical data	Unit	C-Line	
Norminal current	A	200	250
Rated current	A	250	285
Rated voltage	V		1000
Rated frequency	Hz		50/60
Withstand voltage (1 Min/50 Hz)	V		4000
Protection grade			IP67
Shock resistance			IK10
Ambient temperature	°C		-40/+100
Insulation resistance (Phase-phase and phase-earth)	MOhm		>500
Comparative tracking index of the insert	CTI		>600
Terminal cross-section (EN 60228 Class 5)	mm <sup>2</sup>		35-150
Max cross section pilot cable, conductor (EN 60228 Class 5)	mm <sup>2</sup>		4
Diameter of cable - separat pilot cable	mm		34-66
Diameter of cable	mm		5-10



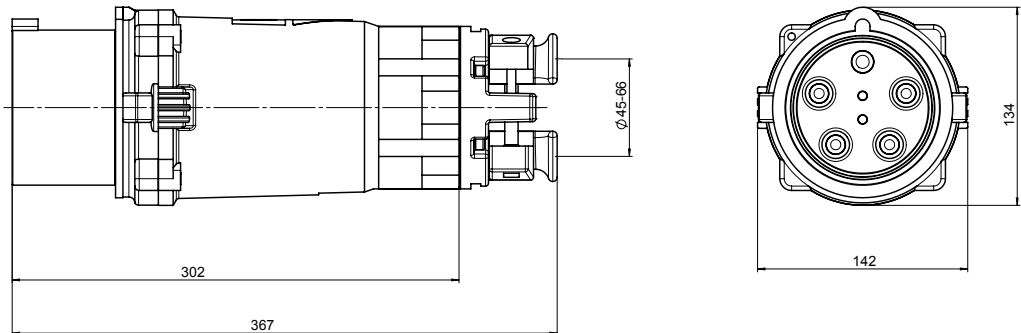
**Plugs**  
C-Line



MC-S5/200 400V

**IP67. Watertight**  
Robust plastic housing. Designed for high temperature.

Terminals/ Poles	Ampere	Voltage	Frequency	Hour	Type	Order Code	Pkg qty	Weight
	A	V	Hz	kg				
<b>3L+PEN</b>								
4	200	230	50/60	9	MC-S4/200A/230V	2CMA103139R1000	1	2.7
		400		6	MC-S4/200A/400V	2CMA103140R1000		
		500		7	MC-S4/200A/500V	2CMA103141R1000		
		690		5	MC-S4/200A/690V	2CMA103142R1000		
		1000		1	MC-S4/200A/1000V	2CMA103143R1000		
<b>3L+N+PE</b>								
5	200	230	50/60	9	MC-S5/200A/230V	2CMA103144R1000	1	2.9
		400		6	MC-S5/200A/400V	2CMA103145R1000		
		500		7	MC-S5/200A/500V	2CMA103146R1000		
		690		5	MC-S5/200A/690V	2CMA103147R1000		
		1000		1	MC-S5/200A/1000V	2CMA103148R1000		
<b>3L+PEN</b>								
4	250	230	50/60	9	MC-S4/250A/230V	2CMA103149R1000	1	2.7
		400		6	MC-S4/250A/400V	2CMA103150R1000		
		500		7	MC-S4/250A/500V	2CMA103151R1000		
		690		5	MC-S4/250A/690V	2CMA103152R1000		
		1000		1	MC-S4/250A/1000V	2CMA103153R1000		
<b>3L+N+PE</b>								
5	250	230	50/60	9	MC-S5/250A/230V	2CMA103154R1000	1	2.9
		400		6	MC-S5/250A/400V	2CMA103155R1000		
		500		7	MC-S5/250A/500V	2CMA103156R1000		
		690		5	MC-S5/250A/690V	2CMA103157R1000		
		1000		1	MC-S5/250A/1000V	2CMA103158R1000		



# Sockets

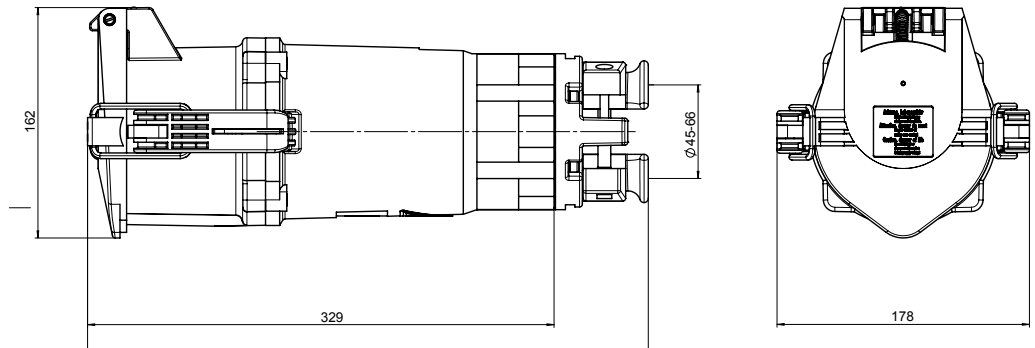
## C-Line



FC-S5/200 400V

**IP67. Watertight**  
Robust plastic housing. Designed for high temperature.

Terminals/ Poles	Ampere	Voltage	Frequency	Hour	Type	Order Code	Pkg qty	Weight
	A	V	Hz	kg				
<b>3L+PEN</b>								
4	200	230	50/60	9	FC-S4/200 230V	2CMA103299R1000	1	3.4
		400		6	FC-S4/200 400V	2CMA103300R1000		
		500		7	FC-S4/200 500V	2CMA103301R1000		
		690		5	FC-S4/200 690V	2CMA103302R1000		
		1000		1	FC-S4/200 1000V	2CMA103303R1000		
<b>3L+N+PE</b>								
5	200	230	50/60	9	FC-S5/200 230V	2CMA103304R1000	1	3.6
		400		6	FC-S5/200 400V	2CMA103305R1000		
		500		7	FC-S5/200 500V	2CMA103306R1000		
		690		5	FC-S5/200 690V	2CMA103307R1000		
		1000		1	FC-S5/200 1000V	2CMA103308R1000		
<b>3L+PEN</b>								
4	250	230	50/60	9	FC-S4/250 230V	2CMA103309R1000	1	3.4
		400		6	FC-S4/250 400V	2CMA103310R1000		
		500		7	FC-S4/250 500V	2CMA103311R1000		
		690		5	FC-S4/250 690V	2CMA103312R1000		
		1000		1	FC-S4/250 1000V	2CMA103313R1000		
<b>3L+N+PE</b>								
5	250	230	50/60	9	FC-S5/250 230V	2CMA103314R1000	1	3.6
		400		6	FC-S5/250 400V	2CMA103315R1000		
		500		7	FC-S5/250 500V	2CMA103316R1000		
		690		5	FC-S5/250 690V	2CMA103317R1000		
		1000		1	FC-S5/250 1000V	2CMA103318R1000		



# Inlets for wall mounting

C-Line

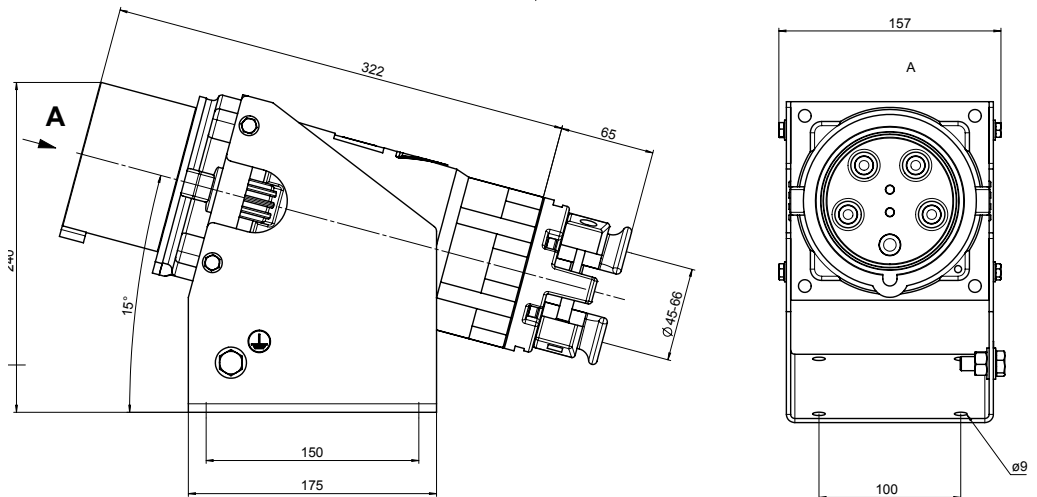


MCW-S5/200 400V

**IP67. Watertight**

Robust plastic housing. Designed for high temperature.

Terminals/ Poles	Ampere A	Voltage V	Frequency Hz	Hour	Type	Order Code	Pkg qty	Weight
								pkg (1pce) kg
<b>3L+PEN</b>								
4	200	230	50/60	9	MCW-S4/200 230V	2CMA103259R1000	1	3.6
		400		6	MCW-S4/200 400V	2CMA103260R1000		
		500		7	MCW-S4/200 500V	2CMA103261R1000		
		690		5	MCW-S4/200 690V	2CMA103262R1000		
		1000		1	MCW-S4/200 1000V	2CMA103263R1000		
<b>3L+N+PE</b>								
5	200	230	50/60	9	MCW-S5/200 230V	2CMA103264R1000	1	3.8
		400		6	MCW-S5/200 400V	2CMA103265R1000		
		500		7	MCW-S5/200 500V	2CMA103266R1000		
		690		5	MCW-S5/200 690V	2CMA103267R1000		
		1000		1	MCW-S5/200 1000V	2CMA103268R1000		
<b>3L+PEN</b>								
4	250	230	50/60	9	MCW-S4/250 230V	2CMA103269R1000	1	3.6
		400		6	MCW-S4/250 400V	2CMA103270R1000		
		500		7	MCW-S4/250 500V	2CMA103271R1000		
		690		5	MCW-S4/250 690V	2CMA103272R1000		
		1000		1	MCW-S4/250 1000V	2CMA103273R1000		
<b>3L+N+PE</b>								
5	250	230	50/60	9	MCW-S5/250 230V	2CMA103274R1000	1	3.8
		400		6	MCW-S5/250 400V	2CMA103275R1000		
		500		7	MCW-S5/250 500V	2CMA103276R1000		
		690		5	MCW-S5/250 690V	2CMA103277R1000		
		1000		1	MCW-S5/250 10000V	2CMA103278R1000		





## Inlets for panel mounting

### C-Line

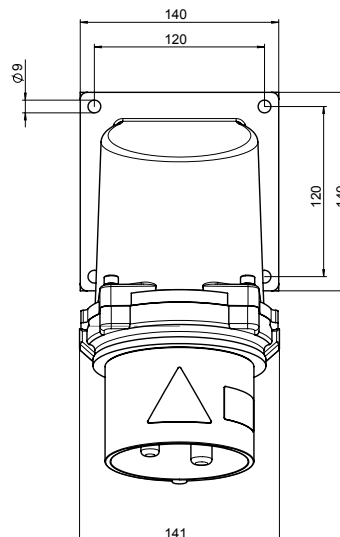
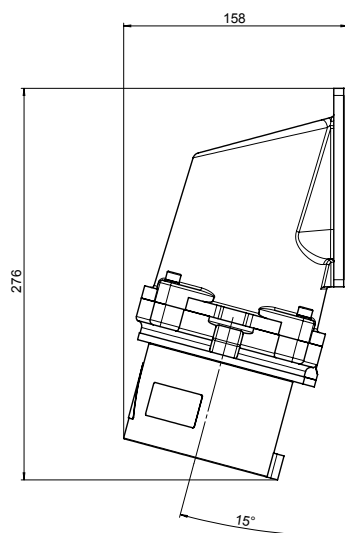


MCPA-S5/200 400V

#### IP67. Watertight

Robust housing. Designed for high temperature.

Terminals/ Poles	Ampere A	Voltage V	Frequency Hz	Hour	Type	Order Code	Pkg qty	Weight
								pkg (1pce)
kg								
<b>3L+PEN</b>								
4	200	230	50/60	9	MCPA-S4/200 230V	2CMA103219R1000	1	4.2
		400		6	MCPA-S4/200 400V	2CMA103220R1000		
		500		7	MCPA-S4/200 500V	2CMA103221R1000		
		690		5	MCPA-S4/200 690V	2CMA103222R1000		
		1000		1	MCPA-S4/200 1000V	2CMA103223R1000		
<b>3L+N+PE</b>								
5	200	230	50/60	9	MCPA-S5/200 230V	2CMA103224R1000	1	4.4
		400		6	MCPA-S5/200 400V	2CMA103225R1000		
		500		7	MCPA-S5/200 500V	2CMA103226R1000		
		690		5	MCPA-S5/200 690V	2CMA103227R1000		
		1000		1	MCPA-S5/200 1000V	2CMA103228R1000		
<b>3L+PEN</b>								
4	250	230	50/60	9	MCPA-S4/250 230V	2CMA103229R1000	1	4.2
		400		6	MCPA-S4/250 400V	2CMA103230R1000		
		500		7	MCPA-S4/250 500V	2CMA103231R1000		
		690		5	MCPA-S4/250 690V	2CMA103232R1000		
		1000		1	MCPA-S4/250 1000V	2CMA103233R1000		
<b>3L+N+PE</b>								
5	250	230	50/60	9	MCPA-S5/250 230V	2CMA103234R1000	1	4.4
		400		6	MCPA-S5/250 400V	2CMA103235R1000		
		500		7	MCPA-S5/250 500V	2CMA103236R1000		
		690		5	MCPA-S5/250 690V	2CMA103237R1000		
		1000		1	MCPA-S5/250 1000V	2CMA103238R1000		



# Inlets for panel mounting

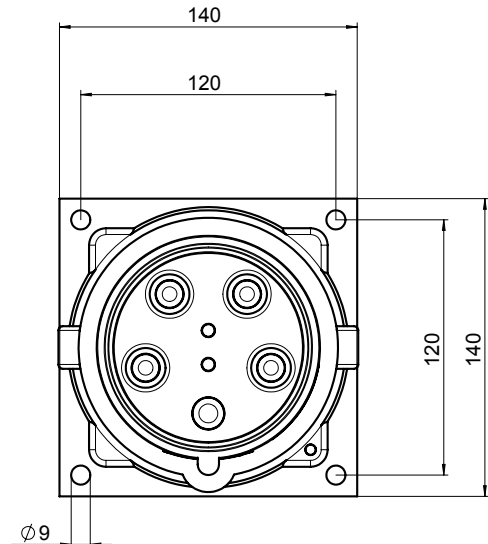
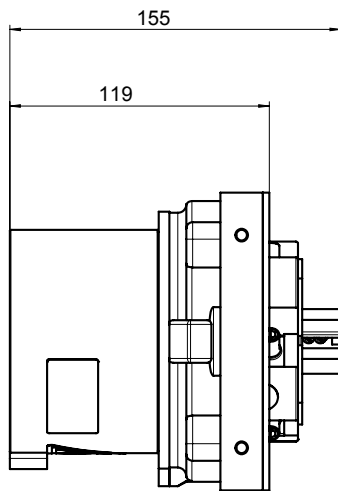
C-Line



MCP-S5/200 400V

**IP67. Watertight**  
Robust housing. Designed for high temperature.

Terminals/ Poles	Ampere	Voltage	Frequency	Hour	Type	Order Code	Pkg qty	Weight
	A	V	Hz					pkg (1pce) kg
<b>3L+PEN</b>								
4	200	230	50/60	9	MCP-S4/200 230V	2CMA103179R1000	1	2.2
		400		6	MCP-S4/200 400V	2CMA103180R1000		
		500		7	MCP-S4/200 500V	2CMA103181R1000		
		690		5	MCP-S4/200 690V	2CMA103182R1000		
		1000		1	MCP-S4/200 1000V	2CMA103183R1000		
<b>3L+N+PE</b>								
5	200	230	50/60	9	MCP-S5/200 230V	2CMA103184R1000	1	2.4
		400		6	MCP-S5/200 400V	2CMA103185R1000		
		500		7	MCP-S5/200 500V	2CMA103186R1000		
		690		5	MCP-S5/200 690V	2CMA103187R1000		
		1000		1	MCP-S5/200 1000V	2CMA103188R1000		
<b>3L+PEN</b>								
4	250	230	50/60	9	MCP-S4/250 230V	2CMA103189R1000	1	2.2
		400		6	MCP-S4/250 400V	2CMA103190R1000		
		500		7	MCP-S4/250 500V	2CMA103191R1000		
		690		5	MCP-S4/250 690V	2CMA103192R1000		
		1000		1	MCP-S4/250 1000V	2CMA103193R1000		
<b>3L+N+PE</b>								
5	250	230	50/60	9	MCP-S5/250 230V	2CMA103194R1000	1	2.4
		400		6	MCP-S5/250 400V	2CMA103195R1000		
		500		7	MCP-S5/250 500V	2CMA103196R1000		
		690		5	MCP-S5/250 690V	2CMA103197R1000		
		1000		1	MCP-S5/250 1000V	2CMA103198R1000		



## Socket outlet for wall mounting

C-Line

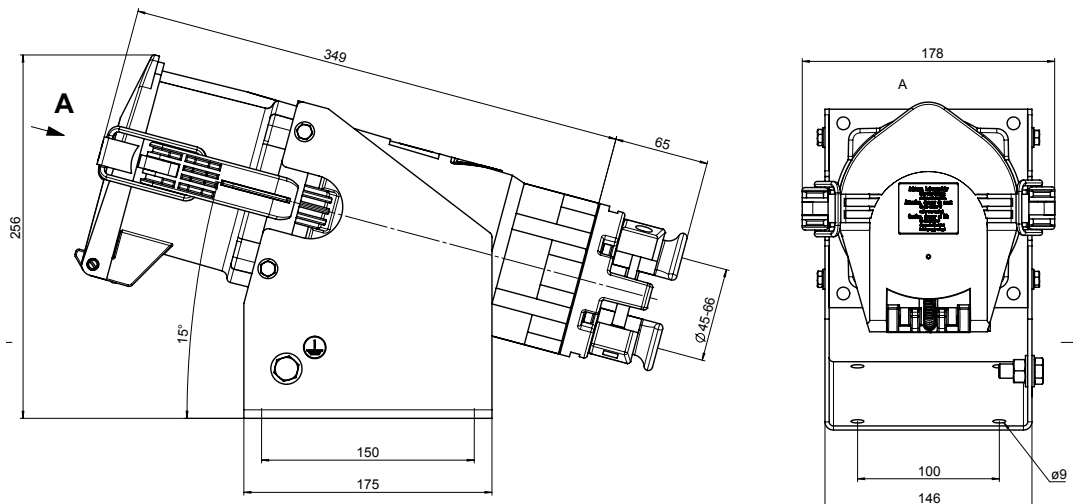


FCW-S5/200 400V

### IP67. Watertight

Robust plastic housing. Designed for high temperature.

Terminals/ Poles	Ampere	Voltage	Frequency	Hour	Type	Order Code	Pkg qty	Weight
	A	V	Hz	kg				
<b>3L+PEN</b>								
4	200	230	50/60	9	FCW-S4/200 230V	2CMA103419R1000	1	4.3
		400		6	FCW-S4/200 400V	2CMA103420R1000		
		500		7	FCW-S4/200 500V	2CMA103421R1000		
		690		5	FCW-S4/200 690V	2CMA103422R1000		
		1000		1	FCW-S4/200 1000V	2CMA103423R1000		
<b>3L+N+PE</b>								
5	200	230	50/60	9	FCW-S5/200 230V	2CMA103424R1000	1	4.5
		400		6	FCW-S5/200 400V	2CMA103425R1000		
		500		7	FCW-S5/200 500V	2CMA103426R1000		
		690		5	FCW-S5/200 690V	2CMA103427R1000		
		1000		1	FCW-S5/200 1000V	2CMA103428R1000		
<b>3L+PEN</b>								
4	250	230	50/60	9	FCW-S4/250 230V	2CMA103429R1000	1	4.3
		400		6	FCW-S4/250 400V	2CMA103430R1000		
		500		7	FCW-S4/250 500V	2CMA103431R1000		
		690		5	FCW-S4/250 690V	2CMA103432R1000		
		1000		1	FCW-S4/250 1000V	2CMA103433R1000		
<b>3L+N+PE</b>								
5	250	230	50/60	9	FCW-S5/250 230V	2CMA103434R1000	1	4.5
		400		6	FCW-S5/250 400V	2CMA103435R1000		
		500		7	FCW-S5/250 500V	2CMA103436R1000		
		690		5	FCW-S5/250 690V	2CMA103437R1000		
		1000		1	FCW-S5/250 1000V	2CMA103438R1000		



## Socket outlet for wall mounting

C-Line

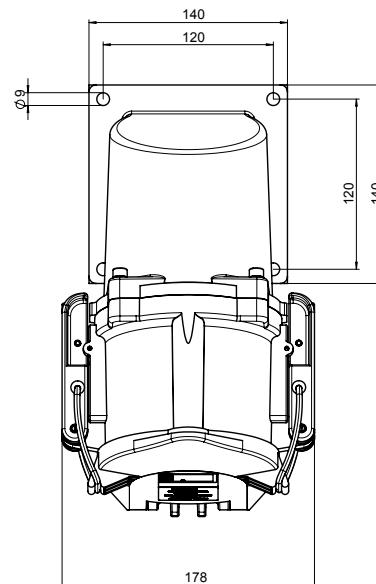
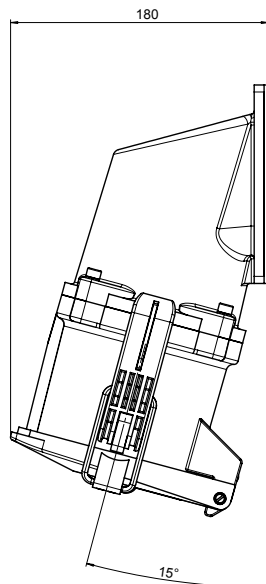


FCPA-S5/200 400V

### IP67. Watertight

Robust housing. Designed for high temperature.

Terminals/ Poles	Ampere A	Voltage V	Frequency Hz	Hour	Type	Order Code	Pkg qty	Weight
								pkg (1pce)
3L+PEN								
4	200	230	50/60	9	FCPA-S4/200 230V	2CMA103379R1000	1	4.4
		400		6	FCPA-S4/200 400V	2CMA103380R1000		
		500		7	FCPA-S4/200 500V	2CMA103381R1000		
		690		5	FCPA-S4/200 690V	2CMA103382R1000		
		1000		1	FCPA-S4/200 1000V	2CMA103383R1000		
3L+N+PE								
5	200	230	50/60	9	FCPA-S5/200 230V	2CMA103384R1000	1	4.6
		400		6	FCPA-S5/200 400V	2CMA103385R1000		
		500		7	FCPA-S5/200 500V	2CMA103386R1000		
		690		5	FCPA-S5/200 690V	2CMA103387R1000		
		1000		1	FCPA-S5/200 1000V	2CMA103388R1000		
3L+PEN								
4	250	230	50/60	9	FCPA-S4/250 230V	2CMA103389R1000	1	4.4
		400		6	FCPA-S4/250 400V	2CMA103390R1000		
		500		7	FCPA-S4/250 500V	2CMA103391R1000		
		690		5	FCPA-S4/250 690V	2CMA103392R1000		
		1000		1	FCPA-S4/250 1000V	2CMA103393R1000		
3L+N+PE								
5	250	230	50/60	9	FCPA-S5/250 230V	2CMA103394R1000	1	4.6
		400		6	FCPA-S5/250 400V	2CMA103395R1000		
		500		7	FCPA-S5/250 500V	2CMA103396R1000		
		690		5	FCPA-S5/250 690V	2CMA103397R1000		
		1000		1	FCPA-S5/250 1000V	2CMA103398R1000		



## Socket outlet for panel mounting

C-Line

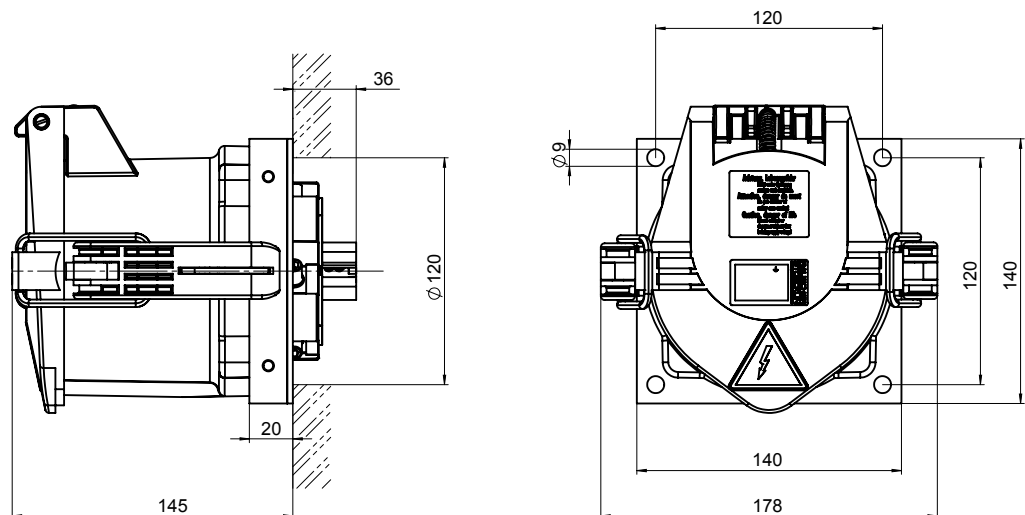


FCP-S5/200 400V

### IP67. Watertight

Robust housing. Designed for high temperature.

Terminals/ Poles	Ampere A	Voltage V	Frequency Hz	Hour	Type	Order Code	Pkg qty	Weight
								pkg (1pce)
3L+PEN								
4	200	230	50/60	9	FCP-S4/200 230V	2CMA103339R1000	1	3.2
		400		6	FCP-S4/200 400V	2CMA103340R1000		
		500		7	FCP-S4/200 500V	2CMA103341R1000		
		690		5	FCP-S4/200 690V	2CMA103342R1000		
		1000		1	FCP-S4/200 1000V	2CMA103343R1000		
3L+N+PE								
5	200	230	50/60	9	FCP-S5/200 230V	2CMA103344R1000	1	3.5
		400		6	FCP-S5/200 400V	2CMA103345R1000		
		500		7	FCP-S5/200 500V	2CMA103346R1000		
		690		5	FCP-S5/200 690V	2CMA103347R1000		
		1000		1	FCP-S5/200 1000V	2CMA103348R1000		
3L+PEN								
4	250	230	50/60	9	FCP-S4/250 230V	2CMA103349R1000	1	3.2
		400		6	FCP-S4/250 400V	2CMA103350R1000		
		500		7	FCP-S4/250 500V	2CMA103351R1000		
		690		5	FCP-S4/250 690V	2CMA103352R1000		
		1000		1	FCP-S4/250 1000V	2CMA103353R1000		
3L+N+PE								
5	250	230	50/60	9	FCP-S5/250 230V	2CMA103354R1000	1	3.5
		400		6	FCP-S5/250 400V	2CMA103355R1000		
		500		7	FCP-S5/250 500V	2CMA103356R1000		
		690		5	FCP-S5/250 690V	2CMA103357R1000		
		1000		1	FCP-S5/250 1000V	2CMA103358R1000		



## B-Line

The robust B-Line connectors are ideal for applications (tunneling, mining), where high mechanical loads may arise. Furthermore, numerous options, such as the saltwater-resistant housing, make the connectors also suitable for marine applications.

Technical data	Unit	B-Line	
Normal current	A	250	400
Rated current	A	315	450
Rated voltage	V	1000	
Rated frequency	Hz	50/60	
Withstand voltage (1 Min/50 Hz)	V	4000	
Protection grade		IP67	
Shock resistance		IK10	
Ambient temperature	°C	-40/+100	
Insulation resistance (Phase-phase and phase-earth)	MΩ	>500	
Comparative tracking index of the insert	CTI	>600	
Terminal cross-section (EN 60228 Class 5)	mm <sup>2</sup>	70-240	
Max cross section pilot cable, conductor (EN 60228 Class 5)	mm <sup>2</sup>	4	
Diameter of cable - separat pilot cable	mm	34-66	
Diameter of cable	mm	8-15	



## Plugs

### B-Line

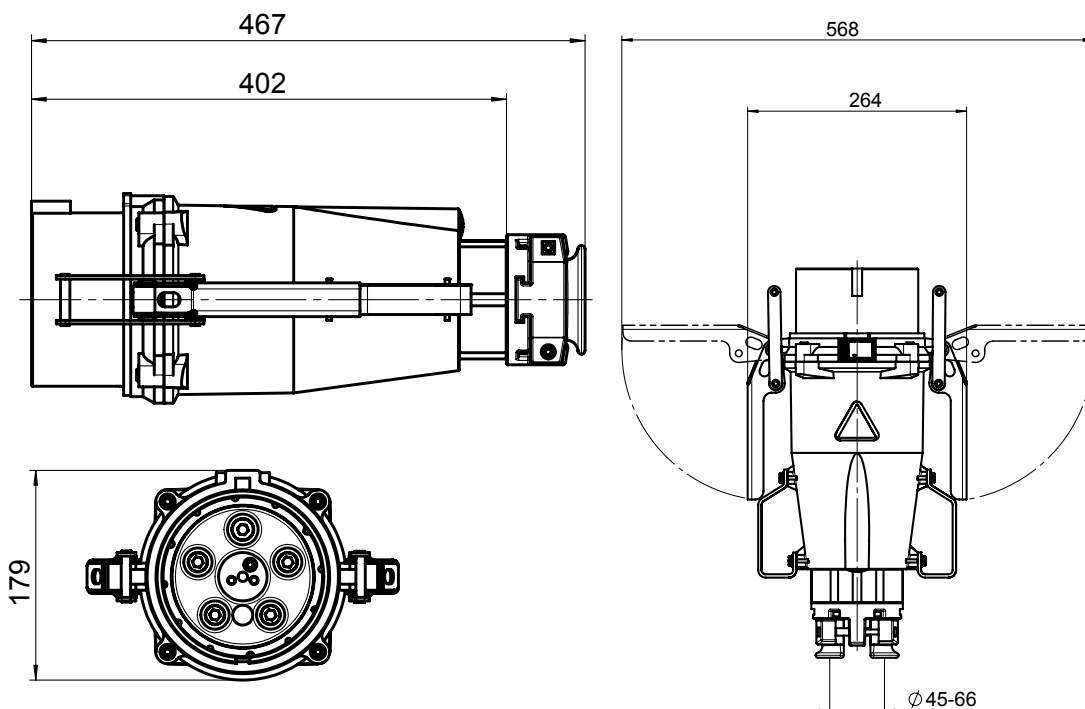


MC-S5/250 400V

#### IP67. Watertight

Aluminum housing. Designed for high temperature.

Terminals/ Poles	Ampere	Voltage	Frequency	Hour	Type	Order Code	Pkg qty	Weight
	A	V	Hz	kg				
<b>3L+PEN</b>								
4	250	230	50/60	9	MC-S4/250A/230V	2CMA103159R1000	1	8.1
		400		6	MC-S4/250A/400V	2CMA103160R1000		
		500		7	MC-S4/250A/500V	2CMA103161R1000		
		690		5	MC-S4/250A/690V	2CMA103162R1000		
		1000		1	MC-S4/250A/1000V	2CMA103163R1000		
<b>3L+N+PE</b>								
5	250	230	50/60	9	MC-S5/250A/230V	2CMA103164R1000	1	8.6
		400		6	MC-S5/250A/400V	2CMA103165R1000		
		500		7	MC-S5/250A/500V	2CMA103166R1000		
		690		5	MC-S5/250A/690V	2CMA103167R1000		
		1000		1	MC-S5/250A/1000V	2CMA103168R1000		
<b>3L+PEN</b>								
4	400	230	50/60	9	MC-S4/400A/230V	2CMA103169R1000	1	8.1
		400		6	MC-S4/400A/400V	2CMA103170R1000		
		500		7	MC-S4/400A/500V	2CMA103171R1000		
		690		5	MC-S4/400A/690V	2CMA103172R1000		
		1000		1	MC-S4/400A/1000V	2CMA103173R1000		
<b>3L+N+PE</b>								
5	400	230	50/60	9	MC-S5/400A/230V	2CMA103174R1000	1	8.6
		400		6	MC-S5/400A/400V	2CMA103175R1000		
		500		7	MC-S5/400A/500V	2CMA103176R1000		
		690		5	MC-S5/400A/690V	2CMA103177R1000		
		1000		1	MC-S5/400A/1000V	2CMA103178R1000		



# Sockets

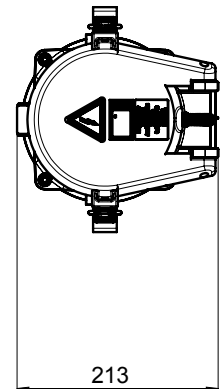
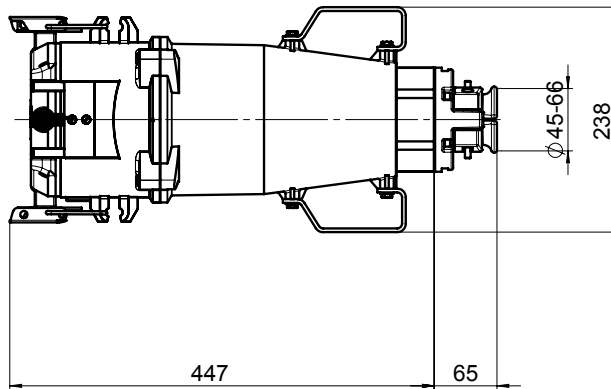
## B-Line



FC-S5/250 400V

**IP67. Watertight**  
Aluminum housing. Designed for high temperature.

Terminals/ Poles	Ampere	Voltage	Frequency	Hour	Type	Order Code	Pkg qty	Weight
	A	V	Hz	kg				
<b>3L+PEN</b>								
4	250	230	50/60	9	FC-S4/250 230V	2CMA103319R1000	1	9.4
		400		6	FC-S4/250 400V	2CMA103320R1000		
		500		7	FC-S4/250 500V	2CMA103321R1000		
		690		5	FC-S4/250 690V	2CMA103322R1000		
		1000		1	FC-S4/250 1000V	2CMA103323R1000		
<b>3L+N+PE</b>								
5	250	230	50/60	9	FC-S5/250 230V	2CMA103324R1000	1	9.9
		400		6	FC-S5/250 400V	2CMA103325R1000		
		500		7	FC-S5/250 500V	2CMA103326R1000		
		690		5	FC-S5/250 690V	2CMA103327R1000		
		1000		1	FC-S5/250 1000V	2CMA103328R1000		
<b>3L+PEN</b>								
4	400	230	50/60	9	FC-S4/400 230V	2CMA103329R1000	1	9.4
		400		6	FC-S4/400 400V	2CMA103330R1000		
		500		7	FC-S4/400 500V	2CMA103331R1000		
		690		5	FC-S4/400 690V	2CMA103332R1000		
		1000		1	FC-S4/400 1000V	2CMA103333R1000		
<b>3L+N+PE</b>								
5	400	230	50/60	9	FC-S5/400 230V	2CMA103334R1000	1	9.9
		400		6	FC-S5/400 400V	2CMA103335R1000		
		500		7	FC-S5/400 500V	2CMA103336R1000		
		690		5	FC-S5/400 690V	2CMA103337R1000		
		1000		1	FC-S5/400 1000V	2CMA103338R1000		





## Inlets for wall mounting

B-Line

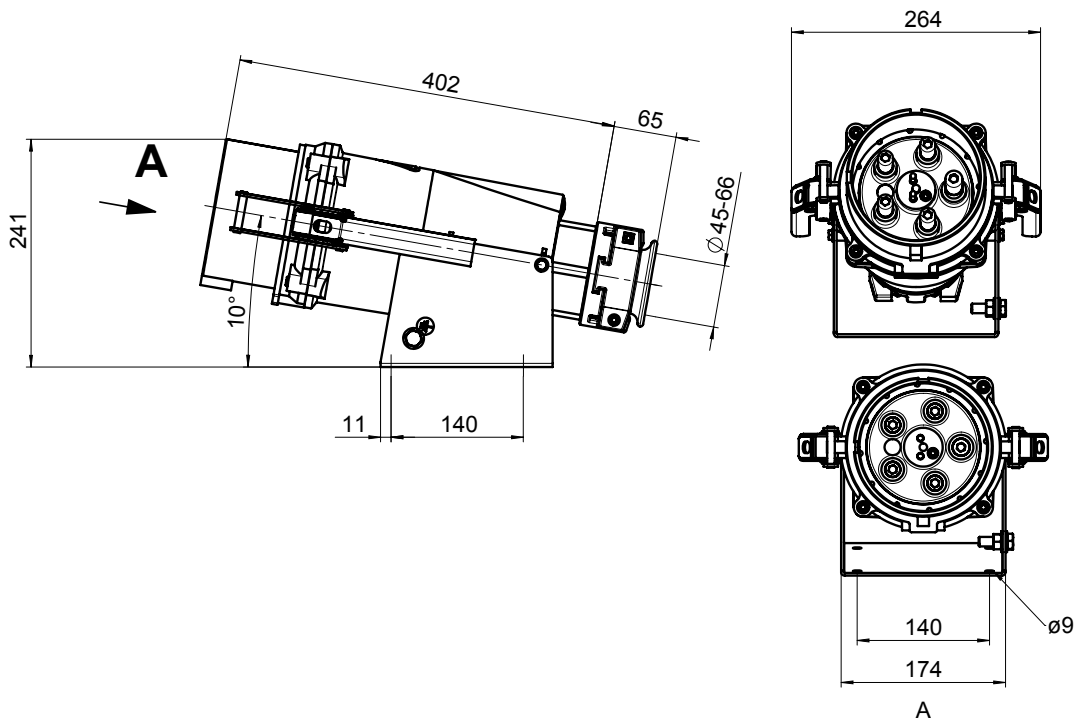


MCW-S5/250 400V

**IP67. Watertight**

Aluminum housing. Designed for high temperature.

Terminals/ Poles	Ampere	Voltage	Frequency	Hour	Type	Order Code	Pkg qty	Weight
	A	V	Hz					pkg (1pce)
kg								
<b>3L+PEN</b>								
4	250	230	50/60	9	MCW-S4/250 230V	2CMA103279R1000	1	10.0
		400		6	MCW-S4/250 400V	2CMA103280R1000		
		500		7	MCW-S4/250 500V	2CMA103281R1000		
		690		5	MCW-S4/250 690V	2CMA103282R1000		
		1000		1	MCW-S4/250 1000V	2CMA103283R1000		
<b>3L+N+PE</b>								
5	250	230	50/60	9	MCW-S5/250 230V	2CMA103284R1000	1	10.5
		400		6	MCW-S5/250 400V	2CMA103285R1000		
		500		7	MCW-S5/250 500V	2CMA103286R1000		
		690		5	MCW-S5/250 690V	2CMA103287R1000		
		1000		1	MCW-S5/250 1000V	2CMA103288R1000		
<b>3L+PEN</b>								
4	400	230	50/60	9	MCW-S4/400 230V	2CMA103289R1000	1	10.0
		400		6	MCW-S4/400 400V	2CMA103290R1000		
		500		7	MCW-S4/400 500V	2CMA103291R1000		
		690		5	MCW-S4/400 690V	2CMA103292R1000		
		1000		1	MCW-S4/400 1000V	2CMA103293R1000		
<b>3L+N+PE</b>								
5	400	230	50/60	9	MCW-S5/400 230V	2CMA103294R1000	1	10.5
		400		6	MCW-S5/400 400V	2CMA103295R1000		
		500		7	MCW-S5/400 500V	2CMA103296R1000		
		690		5	MCW-S5/400 690V	2CMA103297R1000		
		1000		1	MCW-S5/400 1000V	2CMA103298R1000		



## Inlets for panel mounting

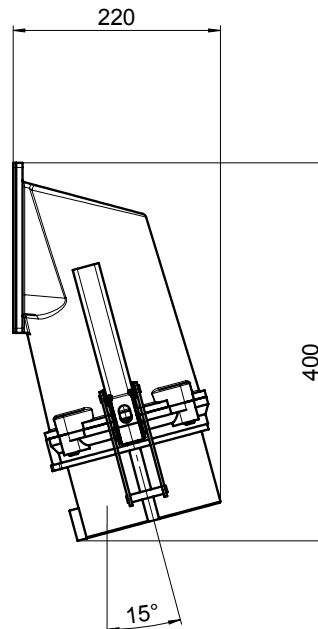
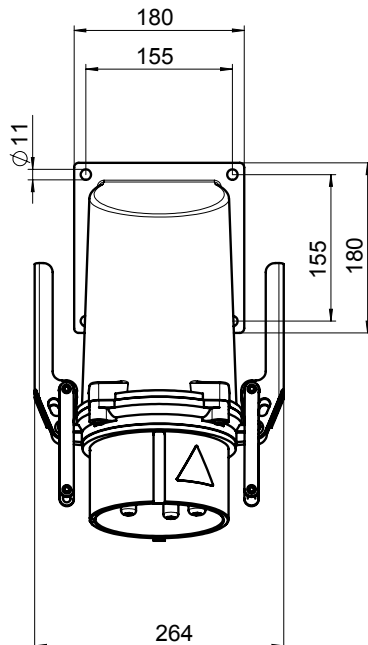
B-Line



MCPA-S5/250 400V

**IP67. Watertight**  
Aluminum housing. Designed for high temperature.

Terminals/ Poles	Ampere A	Voltage V	Frequency Hz	Hour	Type	Order Code	Pkg qty	Weight
								pkg (1pce)
kg								
<b>3L+PEN</b>								
4	250	230	50/60	9	MCPA-S4/250 230V	2CMA103239R1000	1	9.8
		400		6	MCPA-S4/250 400V	2CMA103240R1000		
		500		7	MCPA-S4/250 500V	2CMA103241R1000		
		690		5	MCPA-S4/250 690V	2CMA103242R1000		
		1000		1	MCPA-S4/250 1000V	2CMA103243R1000		
<b>3L+N+PE</b>								
5	250	230	50/60	9	MCPA-S5/250 230V	2CMA103244R1000	1	10.3
		400		6	MCPA-S5/250 400V	2CMA103245R1000		
		500		7	MCPA-S5/250 500V	2CMA103246R1000		
		690		5	MCPA-S5/250 690V	2CMA103247R1000		
		1000		1	MCPA-S5/250 1000V	2CMA103248R1000		
<b>3L+PEN</b>								
4	400	230	50/60	9	MCPA-S4/400 230V	2CMA103249R1000	1	9.8
		400		6	MCPA-S4/400 400V	2CMA103250R1000		
		500		7	MCPA-S4/400 500V	2CMA103251R1000		
		690		5	MCPA-S4/400 690V	2CMA103252R1000		
		1000		1	MCPA-S4/400 1000V	2CMA103253R1000		
<b>3L+N+PE</b>								
5	400	230	50/60	9	MCPA-S5/400 230V	2CMA103254R1000	1	10.3
		400		6	MCPA-S5/400 400V	2CMA103255R1000		
		500		7	MCPA-S5/400 500V	2CMA103256R1000		
		690		5	MCPA-S5/400 690V	2CMA103257R1000		
		1000		1	MCPA-S5/400 1000V	2CMA103258R1000		



## Inlets for panel mounting

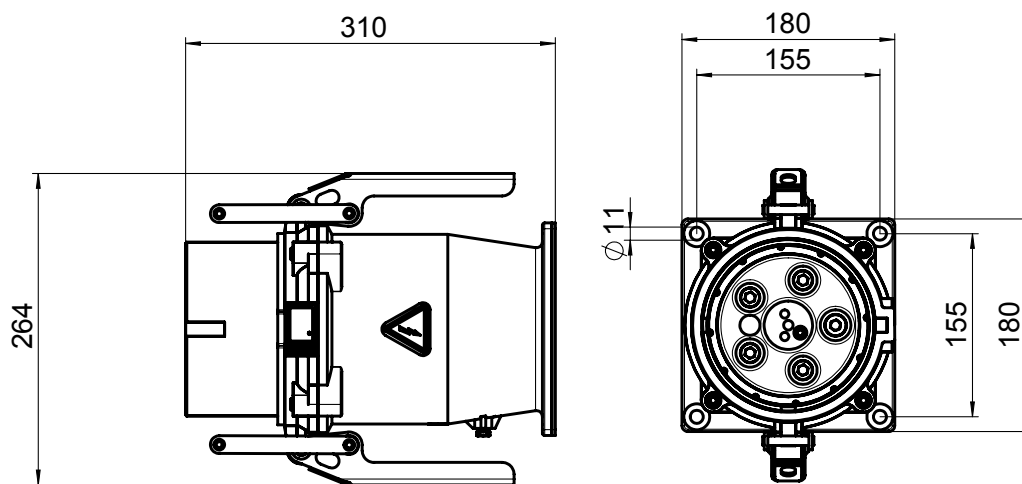
B-Line



MCP-S5/250 400V

**IP67. Watertight**  
Aluminum housing. Designed for high temperature.

Terminals/ Poles	Ampere A	Voltage V	Frequency Hz	Hour	Type	Order Code	Pkg qty	Weight
								pkg (1pce)
kg								
<b>3L+PEN</b>								
4	250	230	50/60	9	MCP-S4/250 230V	2CMA103199R1000	1	8.1
		400		6	MCP-S4/250 400V	2CMA103200R1000		
		500		7	MCP-S4/250 500V	2CMA103201R1000		
		690		5	MCP-S4/250 690V	2CMA103202R1000		
		1000		1	MCP-S4/250 1000V	2CMA103203R1000		
<b>3L+N+PE</b>								
5	250	230	50/60	9	MCP-S5/250 230V	2CMA103204R1000	1	8.6
		400		6	MCP-S5/250 400V	2CMA103205R1000		
		500		7	MCP-S5/250 500V	2CMA103206R1000		
		690		5	MCP-S5/250 690V	2CMA103207R1000		
		1000		1	MCP-S5/250 1000V	2CMA103208R1000		
<b>3L+PEN</b>								
4	400	230	50/60	9	MCP-S4/400 230V	2CMA103209R1000	1	8.1
		400		6	MCP-S4/400 400V	2CMA103210R1000		
		500		7	MCP-S4/400 500V	2CMA103211R1000		
		690		5	MCP-S4/400 690V	2CMA103212R1000		
		1000		1	MCP-S4/400 1000V	2CMA103213R1000		
<b>3L+N+PE</b>								
5	400	230	50/60	9	MCP-S5/400 230V	2CMA103214R1000	1	8.6
		400		6	MCP-S5/400 400V	2CMA103215R1000		
		500		7	MCP-S5/400 500V	2CMA103216R1000		
		690		5	MCP-S5/400 690V	2CMA103217R1000		
		1000		1	MCP-S5/400 1000V	2CMA103218R1000		



## Socket outlet for wall mounting

B-Line

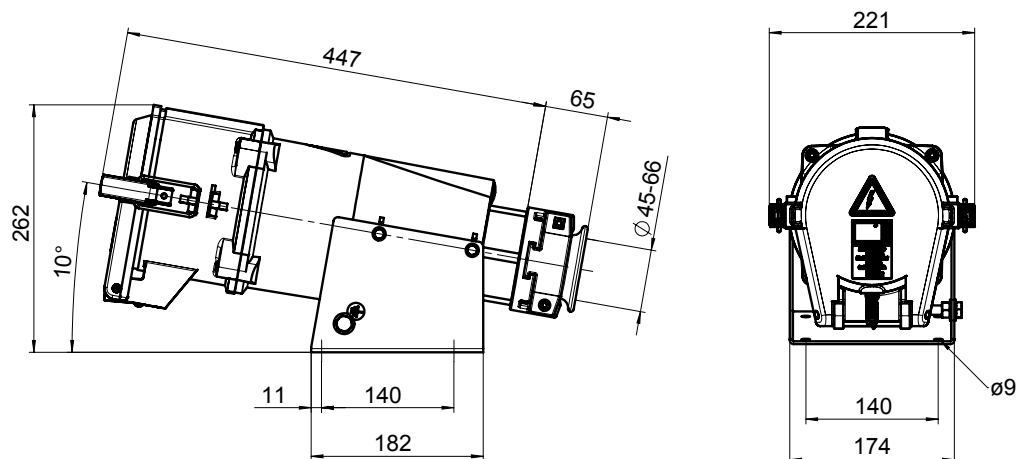


FCW-S5/250 400V

### IP67. Watertight

Aluminum housing. Designed for high temperature.

Terminals/ Poles	Ampere	Voltage	Frequency	Hour	Type	Order Code	Pkg qty	Weight
	A	V	Hz					pkg (1pce) kg
<b>3L+PEN</b>								
4	250	230	50/60	9	FCW-S4/250 230V	2CMA103439R1000	1	11.5
		400		6	FCW-S4/250 400V	2CMA103440R1000		
		500		7	FCW-S4/250 500V	2CMA103441R1000		
		690		5	FCW-S4/250 690V	2CMA103442R1000		
		1000		1	FCW-S4/250 1000V	2CMA103443R1000		
<b>3L+N+PE</b>								
5	250	230	50/60	9	FCW-S5/250 230V	2CMA103444R1000	1	12.0
		400		6	FCW-S5/250 400V	2CMA103445R1000		
		500		7	FCW-S5/250 500V	2CMA103446R1000		
		690		5	FCW-S5/250 690V	2CMA103447R1000		
		1000		1	FCW-S5/250 1000V	2CMA103448R1000		
<b>3L+PEN</b>								
4	400	230	50/60	9	FCW-S4/400 230V	2CMA103449R1000	1	11.5
		400		6	FCW-S4/400 400V	2CMA103450R1000		
		500		7	FCW-S4/400 500V	2CMA103451R1000		
		690		5	FCW-S4/400 690V	2CMA103452R1000		
		1000		1	FCW-S4/400 1000V	2CMA103453R1000		
<b>3L+N+PE</b>								
5	400	230	50/60	9	FCW-S5/400 230V	2CMA103454R1000	1	12.0
		400		6	FCW-S5/400 400V	2CMA103455R1000		
		500		7	FCW-S5/400 500V	2CMA103456R1000		
		690		5	FCW-S5/400 690V	2CMA103457R1000		
		1000		1	FCW-S5/400 1000V	2CMA103458R1000		



## Socket outlet for wall mounting

B-Line

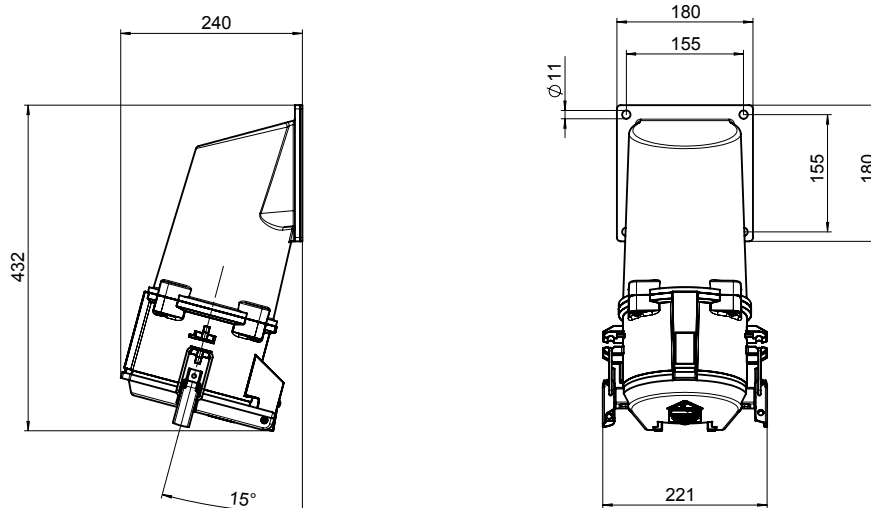


FCPA-S5/250 400V

### IP67. Watertight

Aluminum housing. Designed for high temperature.

Terminals/ Poles	Ampere A	Voltage V	Frequency Hz	Hour	Type	Order Code	Pkg qty	Weight
								pkg (1pce)
kg								
<b>3L+PEN</b>								
4	250	230	50/60	9	FCPA-S4/250 230V	2CMA103399R1000	1	10.3
		400		6	FCPA-S4/250 400V	2CMA103400R1000		
		500		7	FCPA-S4/250 500V	2CMA103401R1000		
		690		5	FCPA-S4/250 690V	2CMA103402R1000		
		1000		1	FCPA-S4/250 1000V	2CMA103403R1000		
<b>3L+N+PE</b>								
5	250	230	50/60	9	FCPA-S5/250 230V	2CMA103404R1000	1	10.8
		400		6	FCPA-S5/250 400V	2CMA103405R1000		
		500		7	FCPA-S5/250 500V	2CMA103406R1000		
		690		5	FCPA-S5/250 690V	2CMA103407R1000		
		1000		1	FCPA-S5/250 1000V	2CMA103408R1000		
<b>3L+PEN</b>								
4	400	230	50/60	9	FCPA-S4/400 230V	2CMA103409R1000	1	10.3
		400		6	FCPA-S4/400 400V	2CMA103410R1000		
		500		7	FCPA-S4/400 500V	2CMA103411R1000		
		690		5	FCPA-S4/400 690V	2CMA103412R1000		
		1000		1	FCPA-S4/400 1000V	2CMA103413R1000		
<b>3L+N+PE</b>								
5	400	230	50/60	9	FCPA-S5/400 230V	2CMA103414R1000	1	10.8
		400		6	FCPA-S5/400 400V	2CMA103415R1000		
		500		7	FCPA-S5/400 500V	2CMA103416R1000		
		690		5	FCPA-S5/400 690V	2CMA103417R1000		
		1000		1	FCPA-S5/400 1000V	2CMA103418R1000		



## Socket outlet for panel mounting

B-Line

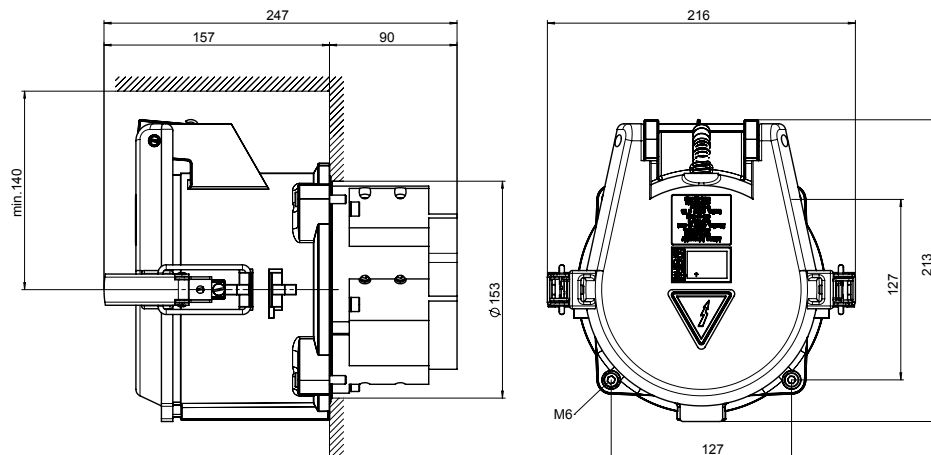


FCP-S5/250 400V

### IP67. Watertight

Aluminum housing. Designed for high temperature.

Terminals/ Poles	Ampere A	Voltage V	Frequency Hz	Hour	Type	Order Code	Pkg qty	Weight
								pkg (1pce)
kg								
<b>3L+PEN</b>								
4	250	230	50/60	9	FCP-S4/250 230V	2CMA103359R1000	1	6.8
		400		6	FCP-S4/250 400V	2CMA103360R1000		
		500		7	FCP-S4/250 500V	2CMA103361R1000		
		690		5	FCP-S4/250 690V	2CMA103362R1000		
		1000		1	FCP-S4/250 1000V	2CMA103363R1000		
<b>3L+N+PE</b>								
5	250	230	50/60	9	FCP-S5/250 230V	2CMA103364R1000	1	7.3
		400		6	FCP-S5/250 400V	2CMA103365R1000		
		500		7	FCP-S5/250 500V	2CMA103366R1000		
		690		5	FCP-S5/250 690V	2CMA103367R1000		
		1000		1	FCP-S5/250 1000V	2CMA103368R1000		
<b>3L+PEN</b>								
4	400	230	50/60	9	FCP-S4/400 230V	2CMA103369R1000	1	6.8
		400		6	FCP-S4/400 400V	2CMA103370R1000		
		500		7	FCP-S4/400 500V	2CMA103371R1000		
		690		5	FCP-S4/400 690V	2CMA103372R1000		
		1000		1	FCP-S4/400 1000V	2CMA103373R1000		
<b>3L+N+PE</b>								
5	400	230	50/60	9	FCP-S5/400 230V	2CMA103374R1000	1	7.3
		400		6	FCP-S5/400 400V	2CMA103375R1000		
		500		7	FCP-S5/400 500V	2CMA103376R1000		
		690		5	FCP-S5/400 690V	2CMA103377R1000		
		1000		1	FCP-S5/400 1000V	2CMA103378R1000		



# Connector units

## with mechanical interlock, CUMI

To ensure maximum safety for users, we can offer special connector units.

Technical data	Unit	C-Line		B-Line	
Rated current	A	200	250	250	400
Rated voltage	V	1000		1000	
Rated frequency	Hz	50/60		50/60	
Withstand voltage (1 Min/50 Hz)	V	4000		4000	
Protection grade		IP55		IP55	
Shock resistance		IK07		IK07	
Ambient temperature	°C	-40/+70		-40/+70	
Insulation resistance (Phase-phase and phase-earth)	MOhm	>500		>500	
Comparative tracking index of the insert	CTI	>600		>600	
Weight 4 poles (3L+PEN)	kg	25.1		45.6	
Weight 5 poles (3L+N+PE)	kg	25.3		47.1	
Connection bolts for cable shoes		M8		M10	
Max cross section pilot cable, conductor (EN 60228 Class 1)	mm <sup>2</sup>	4		4	
Diameter of cable - normal other diameters on request	mm	20-70		20-70	



# Connector unit with mechanical interlock

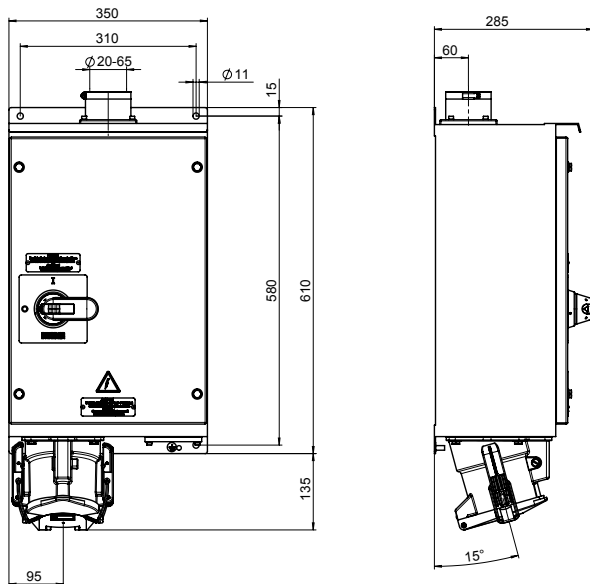
C-Line



CUMI-S5/200 400V

IP55  
Steel housing

Terminals/ Poles	Ampere A	Voltage V	Frequency Hz	Hour	Type	Order Code	Pkg qty	Weight
								pkg (1pce) kg
<b>3L+PEN</b>								
4	200	230	50/60	9	CUMI-S4/200 230V-9h	2CMA103459R1000	1	25.1
		400		6	CUMI-S4/200 400V-6h	2CMA103460R1000		
		500		7	CUMI-S4/200 500V-7h	2CMA103461R1000		
		690		5	CUMI-S4/200 690V-5h	2CMA103462R1000		
		1000		1	CUMI-S4/200 1000V-1h	2CMA103463R1000		
<b>3L+N+PE</b>								
5	200	230	50/60	9	CUMI-S5/200 230V-9h	2CMA103464R1000	1	25.3
		400		6	CUMI-S5/200 400V-6h	2CMA103465R1000		
		500		7	CUMI-S5/200 500V-7h	2CMA103466R1000		
		690		5	CUMI-S5/200 690V-5h	2CMA103467R1000		
		1000		1	CUMI-S5/200 1000V-1h	2CMA103468R1000		
<b>3L+PEN</b>								
4	250	230	50/60	9	CUMI-S4/250 230V-9h	2CMA103469R1000	1	25.1
		400		6	CUMI-S4/250 400V-6h	2CMA103470R1000		
		500		7	CUMI-S4/250 500V-7h	2CMA103471R1000		
		690		5	CUMI-S4/250 690V-5h	2CMA103472R1000		
		1000		1	CUMI-S4/250 1000V-1h	2CMA103473R1000		
<b>3L+N+PE</b>								
5	250	230	50/60	9	CUMI-S5/250 230V-9h	2CMA103474R1000	1	25.3
		400		6	CUMI-S5/250 400V-6h	2CMA103475R1000		
		500		7	CUMI-S5/250 500V-7h	2CMA103476R1000		
		690		5	CUMI-S5/250 690V-5h	2CMA103477R1000		
		1000		1	CUMI-S5/250 1000V-1h	2CMA103478R1000		





## Connector unit with mechanical interlock

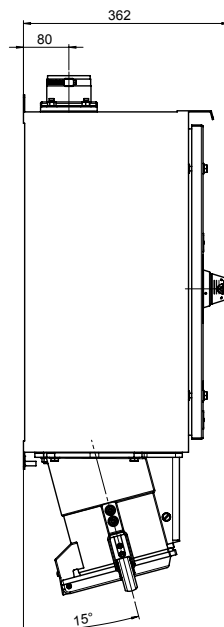
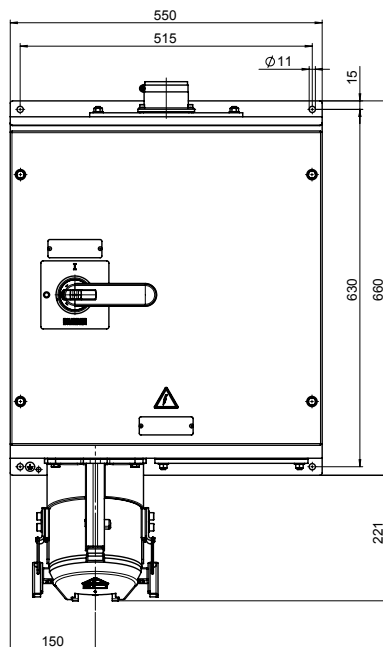
B-Line



CUMI-S5/250 400V

IP55  
Steel housing

Terminals/ Poles	Ampere A	Voltage V	Frequency Hz	Hour	Type	Order Code	Pkg qty	Weight
								pkg (1pce) kg
<b>3L+PEN</b>								
4	250	230	50/60	9	CUMI-S4/250 230V-9h	2CMA103479R1000	1	45.6
		400		6	CUMI-S4/250 400V-6h	2CMA103480R1000		
		500		7	CUMI-S4/250 500V-7h	2CMA103481R1000		
		690		5	CUMI-S4/250 690V-5h	2CMA103482R1000		
		1000		1	CUMI-S4/250 1000V-1h	2CMA103483R1000		
<b>3L+N+PE</b>								
5	250	230	50/60	9	CUMI-S5/250 230V-9h	2CMA103484R1000	1	47.1
		400		6	CUMI-S5/250 400V-6h	2CMA103485R1000		
		500		7	CUMI-S5/250 500V-7h	2CMA103486R1000		
		690		5	CUMI-S5/250 690V-5h	2CMA103487R1000		
		1000		1	CUMI-S5/250 1000V-1h	2CMA103488R1000		
<b>3L+PEN</b>								
4	400	230	50/60	9	CUMI-S4/400 230V-9h	2CMA103489R1000	1	45.6
		400		6	CUMI-S4/400 400V-6h	2CMA103490R1000		
		500		7	CUMI-S4/400 500V-7h	2CMA103491R1000		
		690		5	CUMI-S4/400 690V-5h	2CMA103492R1000		
		1000		1	CUMI-S4/400 1000V-1h	2CMA103493R1000		
<b>3L+N+PE</b>								
5	400	230	50/60	9	CUMI-S5/400 230V-9h	2CMA103494R1000	1	47.1
		400		6	CUMI-S5/400 400V-6h	2CMA103495R1000		
		500		7	CUMI-S5/400 500V-7h	2CMA103496R1000		
		690		5	CUMI-S5/400 690V-5h	2CMA103497R1000		
		1000		1	CUMI-S5/400 1000V-1h	2CMA103498R1000		



# Connector units

## with block contactor, CUBC

To ensure maximum safety for users, we can offer special connector units.

Technical data	Unit	C-Line		B-Line	
Rated current	A	200	250	250	400
Rated voltage	V	1000		1000	
Rated frequency	Hz	50/60		50/60	
Withstand voltage (1 Min/50 Hz)	V	4000		4000	
Protection grade		IP55		IP55	
Shock resistance		IK07		IK07	
Ambient temperature	°C	-40/+70		-40/+70	
Insulation resistance (Phase-phase and phase-earth)	MOhm	>500		>500	
Comparative tracking index of the insert	CTI	>600		>600	
Weight 4 poles (3L+PEN)	kg	25.1		45.6	
Weight 5 poles (3L+N+PE)	kg	25.3		47.1	
Connection bolts for cable shoes		M8		M10	
Max cross section pilot cable, conductor (EN 60228 Class 1)	mm <sup>2</sup>	4		4	
Diameter of cable - normal other diameters on request	mm	20-70		20-70	



## Connector unit with block contactor

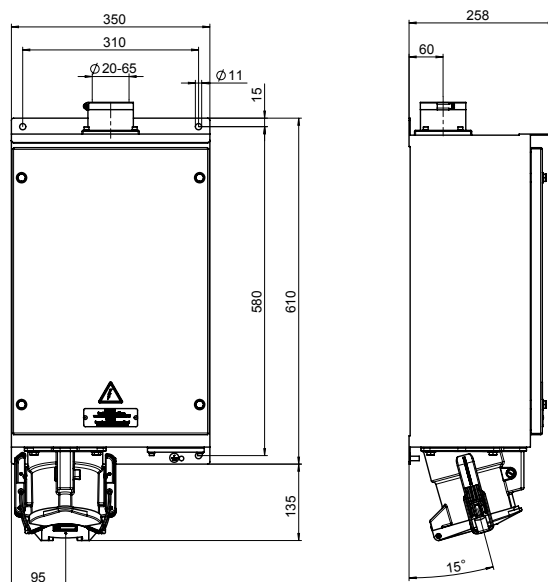
C-Line



CUBC-S5/200 400V

IP55  
Steel housing

Terminals/ Poles	Ampere A	Voltage V	Frequency Hz	Hour	Type	Order Code	Pkg qty	Weight
								pkg (1pce) kg
<b>3L+PEN</b>								
4	200	230	50/60	9	CUBC-S4/200 230V	2CMA103499R1000	1	25.1
		400		6	CUBC-S4/200 400V	2CMA103500R1000		
		500		7	CUBC-S4/200 500V	2CMA103501R1000		
		690		5	CUBC-S4/200 690V	2CMA103502R1000		
		1000		1	CUBC-S4/200 1000V	2CMA103503R1000		
<b>3L+N+PE</b>								
5	200	230	50/60	9	CUBC-S5/200 230V	2CMA103504R1000	1	25.3
		400		6	CUBC-S5/200 400V	2CMA103505R1000		
		500		7	CUBC-S5/200 500V	2CMA103506R1000		
		690		5	CUBC-S5/200 690V	2CMA103507R1000		
		1000		1	CUBC-S5/200 1000V	2CMA103508R1000		
<b>3L+PEN</b>								
4	250	230	50/60	9	CUBC-S4/250 230V	2CMA103509R1000	1	25.1
		400		6	CUBC-S4/250 400V	2CMA103510R1000		
		500		7	CUBC-S4/250 500V	2CMA103511R1000		
		690		5	CUBC-S4/250 690V	2CMA103512R1000		
		1000		1	CUBC-S4/250 1000V	2CMA103513R1000		
<b>3L+N+PE</b>								
5	250	230	50/60	9	CUMI-S5/250 230V	2CMA103514R1000	1	25.3
		400		6	CUMI-S5/250 400V	2CMA103515R1000		
		500		7	CUMI-S5/250 500V	2CMA103516R1000		
		690		5	CUMI-S5/250 690V	2CMA103517R1000		
		1000		1	CUMI-S5/250 1000V	2CMA103518R1000		



## Connector unit with circuit breaker

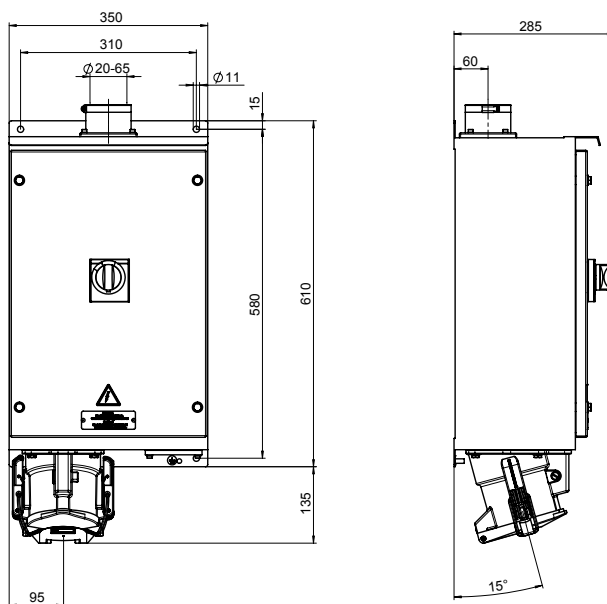
C-Line



CUCB-S5/200 400V

IP54  
Steel housing

Terminals/ Poles	Ampere	Voltage	Frequency	Hour	Type	Order Code	Pkg qty	Weight
	A	V	Hz					pkg (1pce)
<b>3L+PEN</b>								
4	200	230	50/60	9	CUCB-S4/200 230V	2CMA103539R1000	1	25.1
		400		6	CUCB-S4/200 400V	2CMA103540R1000		
		500		7	CUCB-S4/200 500V	2CMA103541R1000		
		690		5	CUCB-S4/200 690V	2CMA103542R1000		
<b>3L+N+PE</b>								
5	200	230	50/60	9	CUCB-S5/200 230V	2CMA103543R1000	1	25.3
		400		6	CUCB-S5/200 400V	2CMA103544R1000		
		500		7	CUCB-S5/200 500V	2CMA103545R1000		
		690		5	CUCB-S5/200 690V	2CMA103546R1000		
<b>3L+PEN</b>								
4	250	230	50/60	9	CUCB-S4/250 230V	2CMA103547R1000	1	25.1
		400		6	CUCB-S4/250 400V	2CMA103548R1000		
		500		7	CUCB-S4/250 500V	2CMA103549R1000		
		690		5	CUCB-S4/250 690V	2CMA103550R1000		
<b>3L+N+PE</b>								
5	250	230	50/60	9	CUCB-S5/250 230V	2CMA103551R1000	1	25.3
		400		6	CUCB-S5/250 400V	2CMA103552R1000		
		500		7	CUCB-S5/250 500V	2CMA103553R1000		
		690		5	CUCB-S5/250 690V	2CMA103554R1000		



## Connector unit with circuit breaker

B-Line



CUCB-S5/250 400V

IP54  
Steel housing

Terminals/ Poles	Ampere A	Voltage V	Frequency Hz	Hour	Type	Order Code	Pkg qty	Weight
								pkg (1pce) kg
<b>3L+PEN</b>								
4	250	230	50/60	9	CUCB-S4/250 230V	2CMA103555R1000	1	45.6
		400		6	CUCB-S4/250 400V	2CMA103556R1000		
		500		7	CUCB-S4/250 500V	2CMA103557R1000		
		690		5	CUCB-S4/250 690V	2CMA103558R1000		
<b>3L+N+PE</b>								
5	250	230	50/60	9	CUCB-S5/250 230V	2CMA103559R1000	1	47.1
		400		6	CUCB-S5/250 400V	2CMA103560R1000		
		500		7	CUCB-S5/250 500V	2CMA103561R1000		
		690		5	CUCB-S5/250 690V	2CMA103562R1000		
<b>3L+PEN</b>								
4	400	230	50/60	9	CUCB-S4/400 230V	2CMA103563R1000	1	45.6
		400		6	CUCB-S4/400 400V	2CMA103564R1000		
		500		7	CUCB-S4/400 500V	2CMA103565R1000		
		690		5	CUCB-S4/400 690V	2CMA103566R1000		
<b>3L+N+PE</b>								
5	400	230	50/60	9	CUCB-S5/400 230V	2CMA103567R1000	1	47.1
		400		6	CUCB-S5/400 400V	2CMA103568R1000		
		500		7	CUCB-S5/400 500V	2CMA103569R1000		
		690		5	CUCB-S5/400 690V	2CMA103570R1000		

